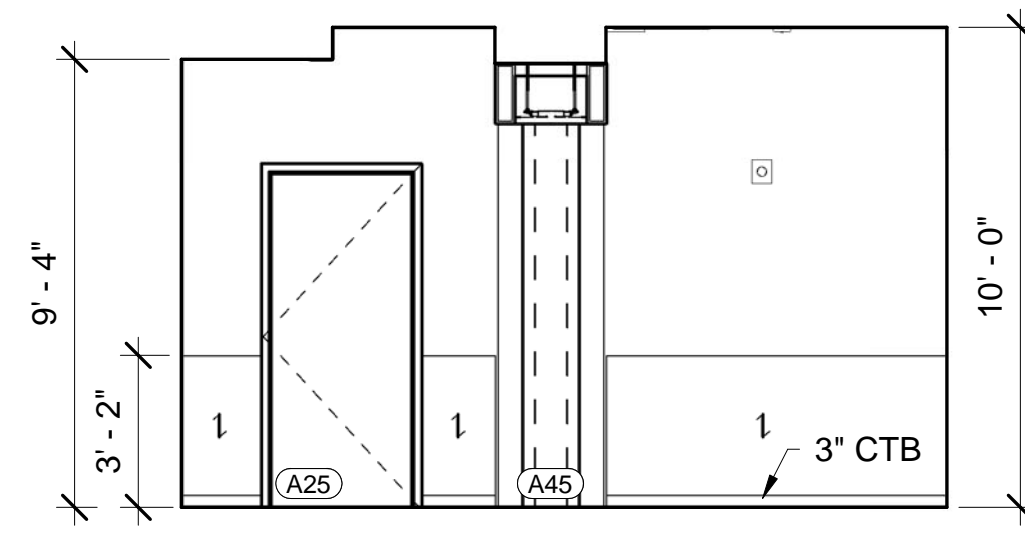
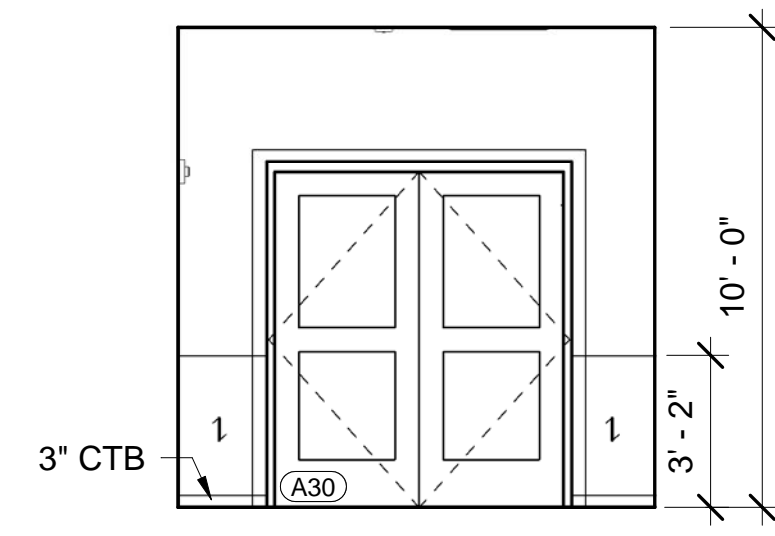


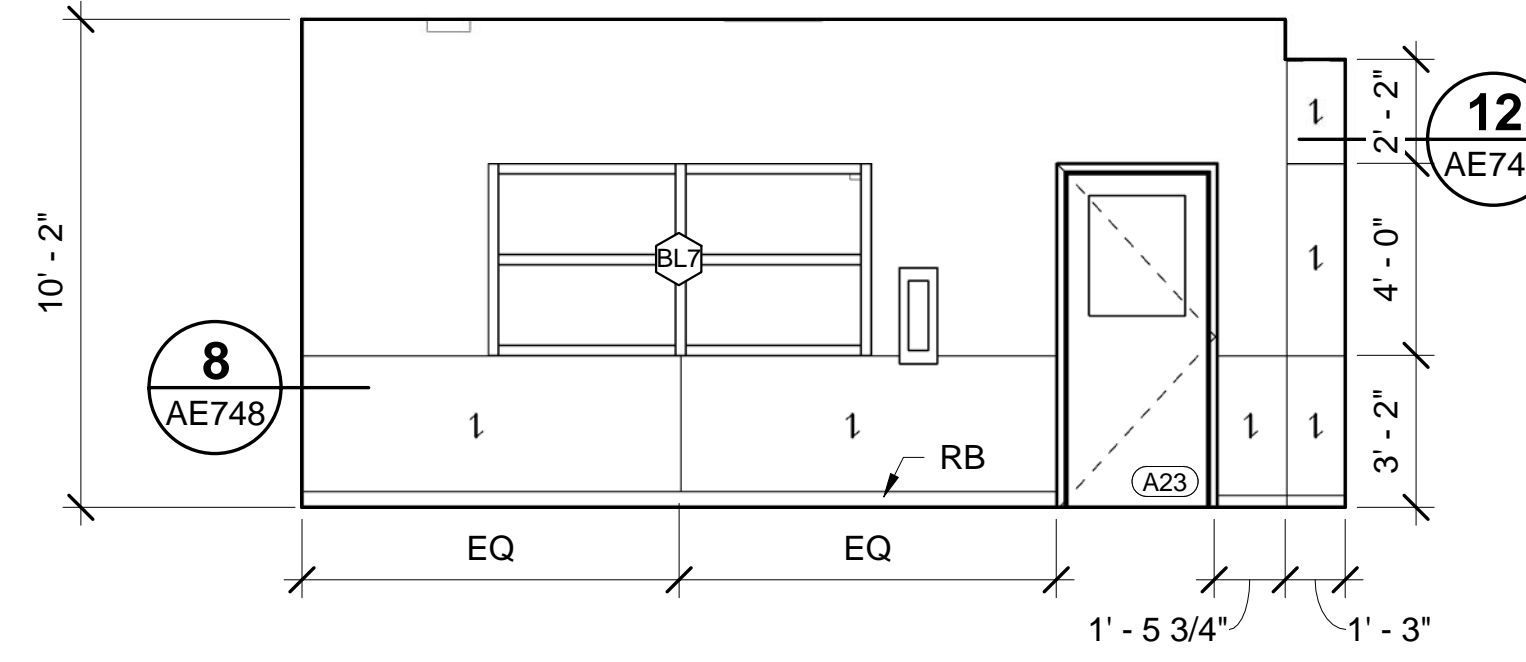
1 CORR A16 - NORTH ELEV
 AE101/AE751 SCALE: 1/4" = 1'-0"



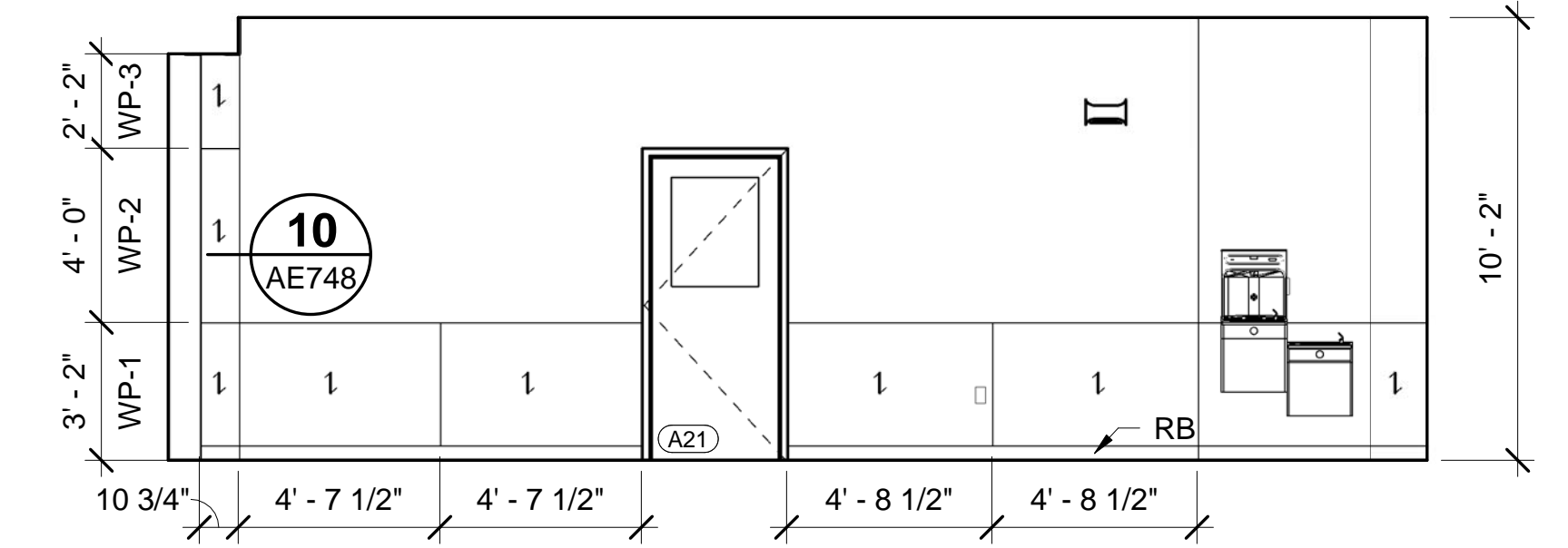
2 CORR A16 - SOUTH ELEV
 AE101/AE751 SCALE: 1/4" = 1'-0"



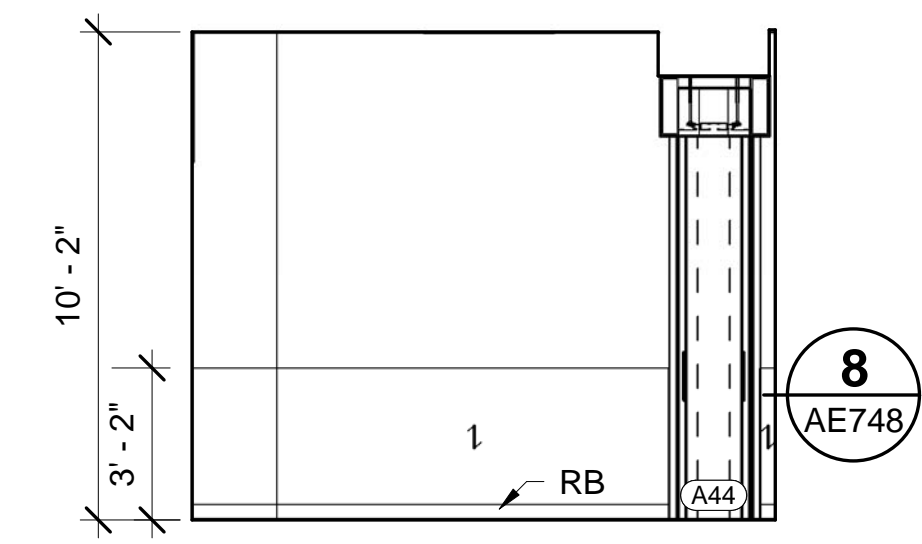
3 CORR A16 - WEST ELEV
 AE101/AE751 SCALE: 1/4" = 1'-0"



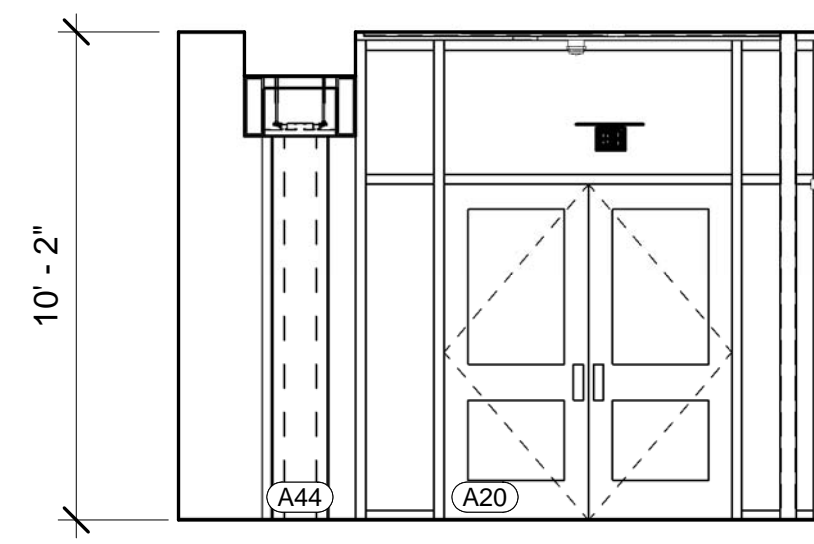
4 CORR A22 - NORTHWEST ELEV
 AE101/AE751 SCALE: 1/4" = 1'-0"



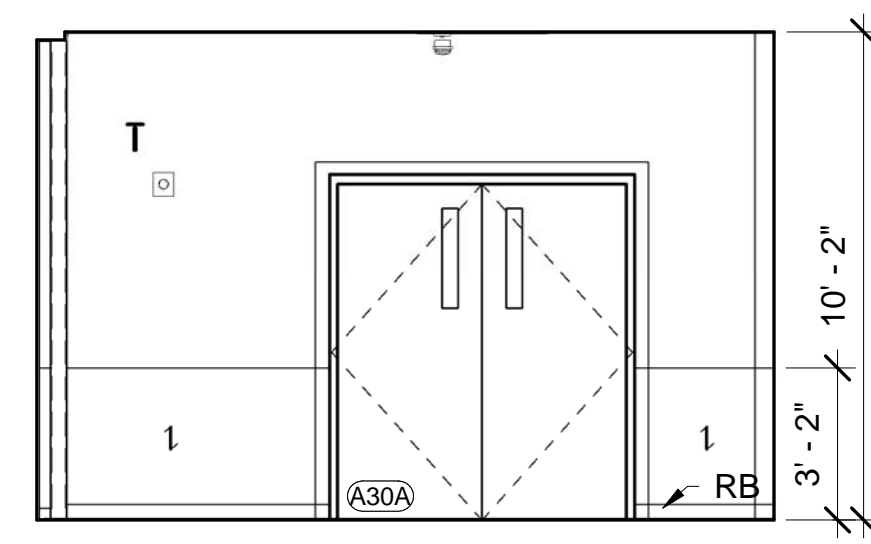
5 CORR A22 - SOUTHEAST ELEV
 AE101/AE751 SCALE: 1/4" = 1'-0"



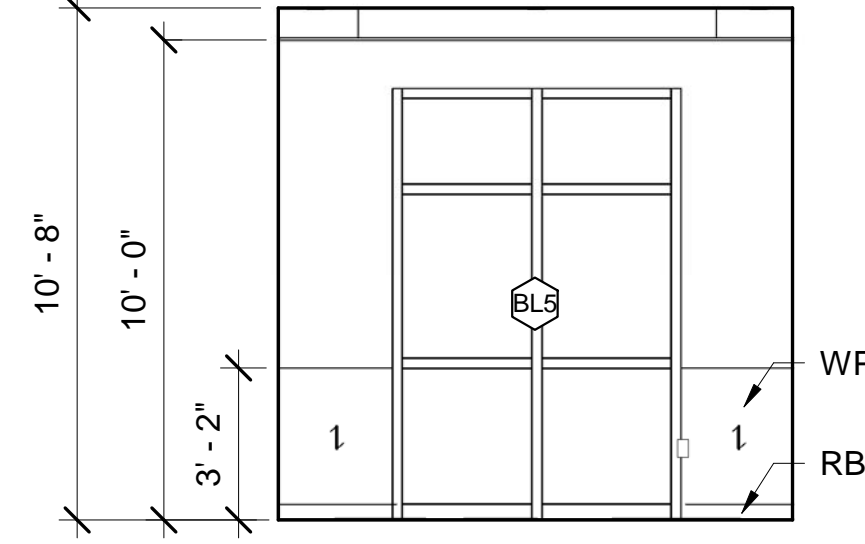
6 CORR A22 - NORTH ELEV
 AE101/AE751 SCALE: 1/4" = 1'-0"



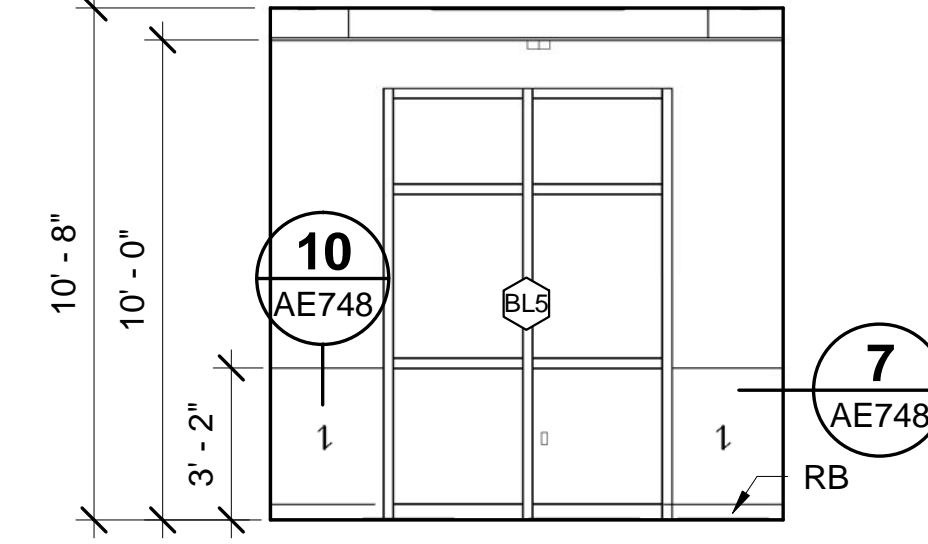
7 CORR A22 - SOUTH ELEV
 AE101/AE751 SCALE: 1/4" = 1'-0"



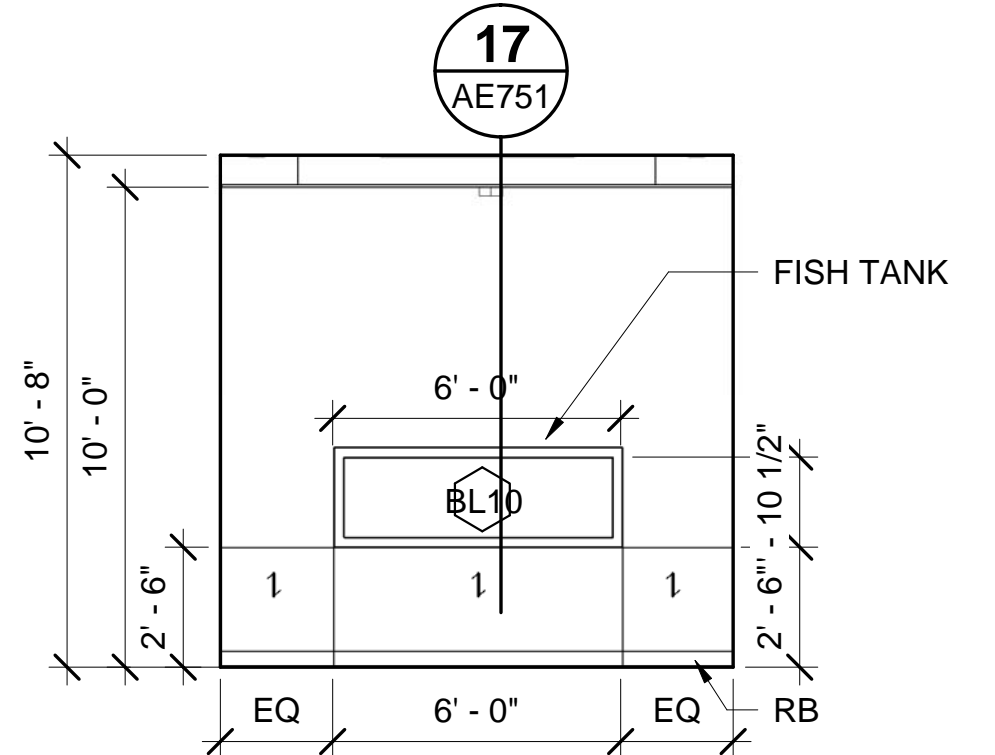
8 CORR A22 - WEST ELEV
 AE001/AE751 SCALE: 1/4" = 1'-0"



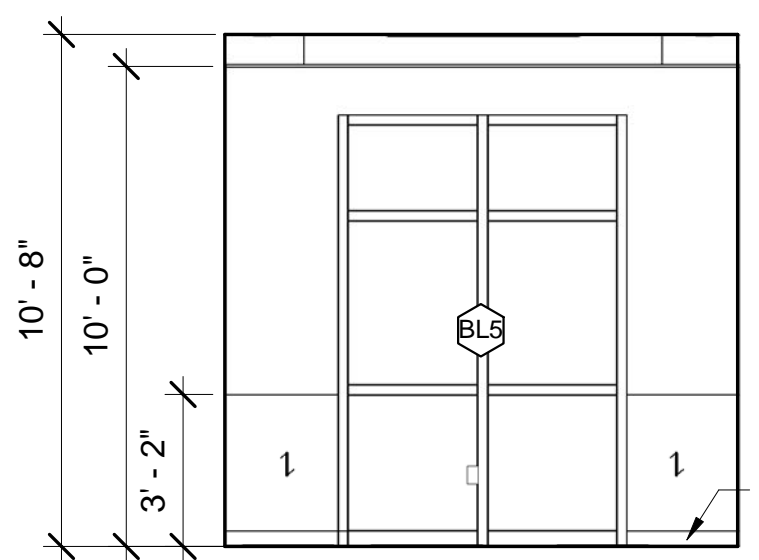
9 CORRIDOR B13 - NORTHWEST ELEV
 AE102/AE751 SCALE: 1/4" = 1'-0"



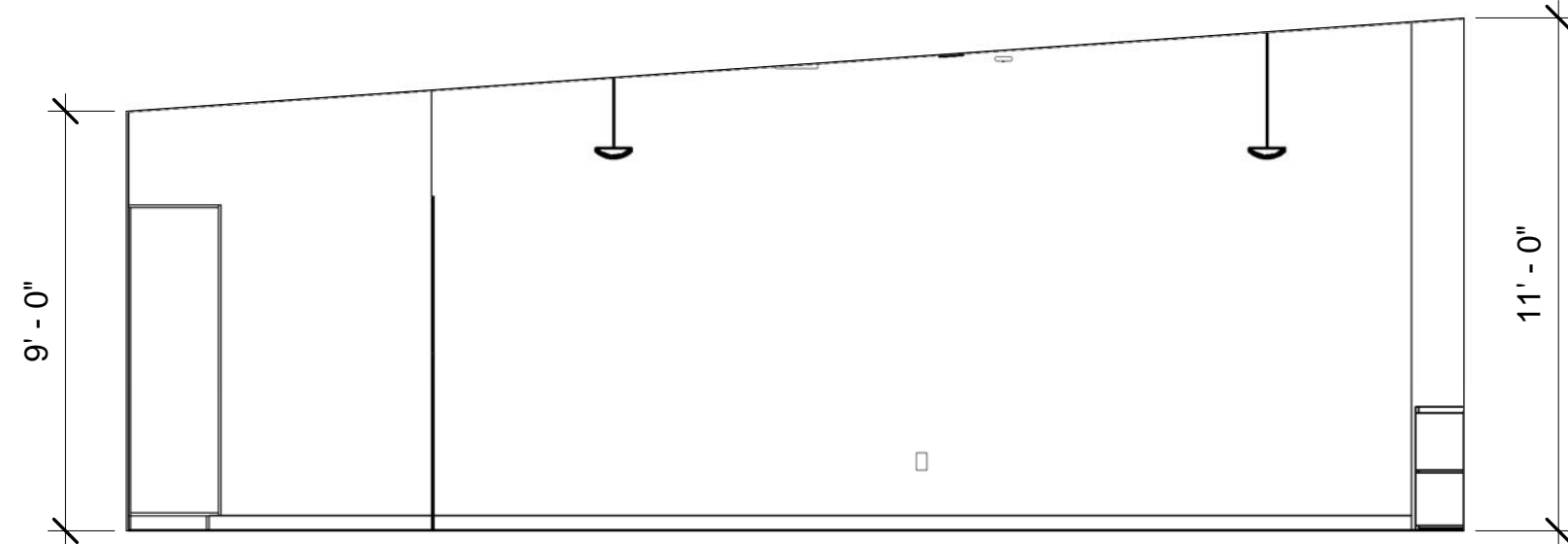
10 CORRIDOR B13 - NORTHEAST ELEV
 AE102/AE751 SCALE: 1/4" = 1'-0"



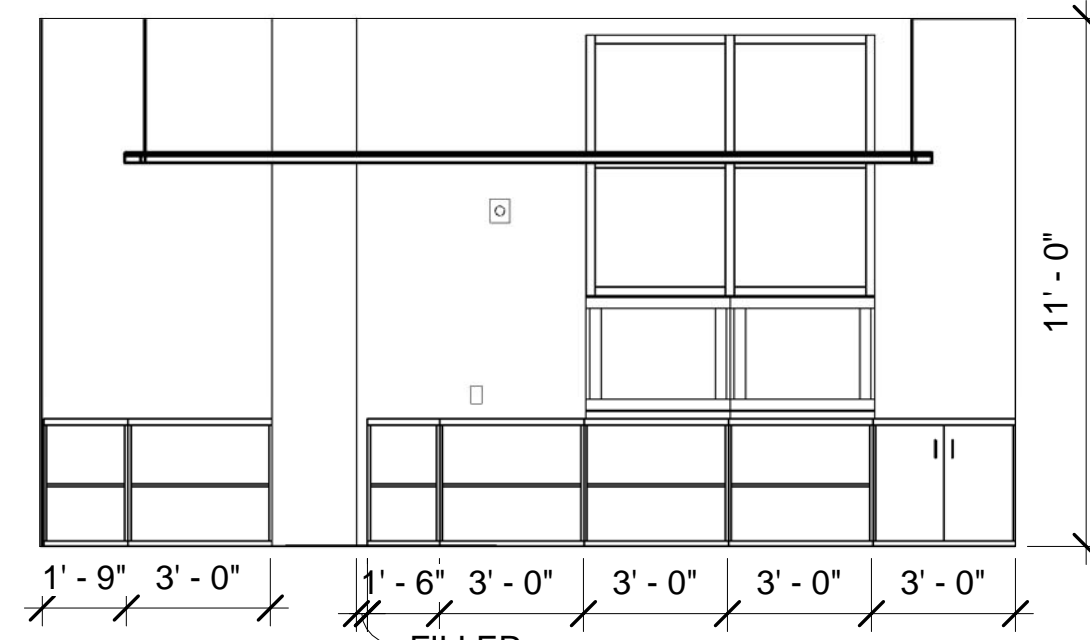
11 CORRIDOR B13 - SOUTHEAST ELEV
 AE102/AE751 SCALE: 1/4" = 1'-0"



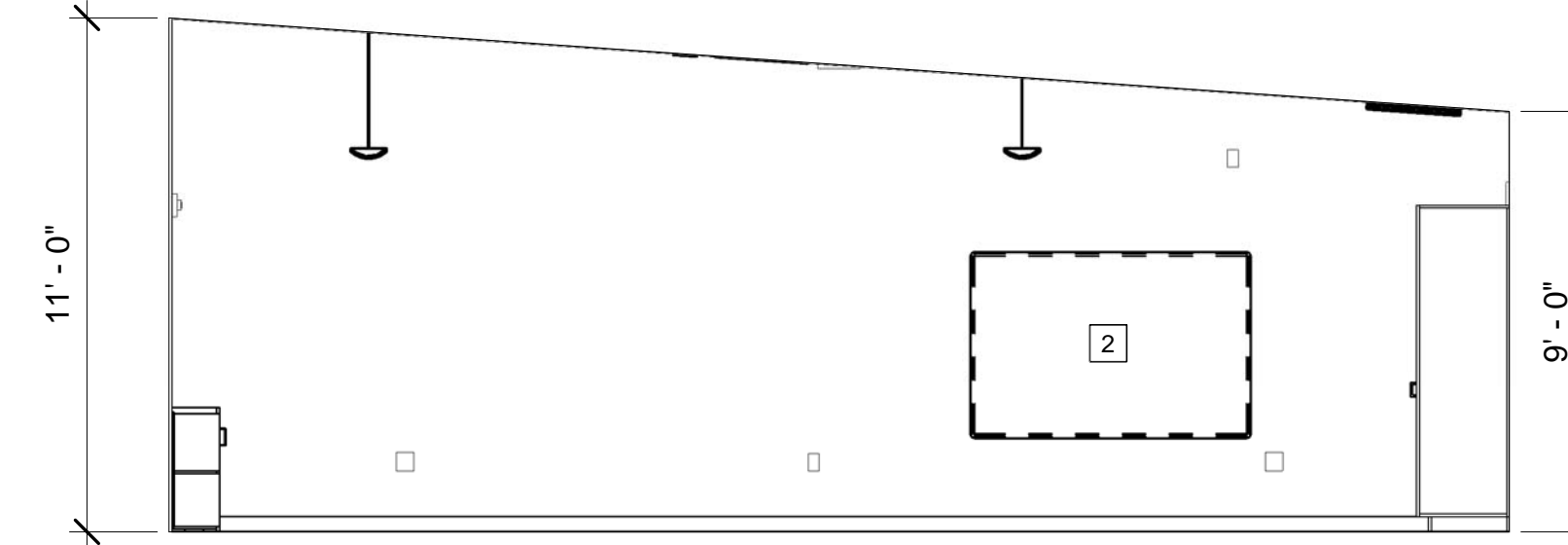
12 CORRIDOR B13 - SOUTHWEST ELEV
 AE102/AE751 SCALE: 1/4" = 1'-0"



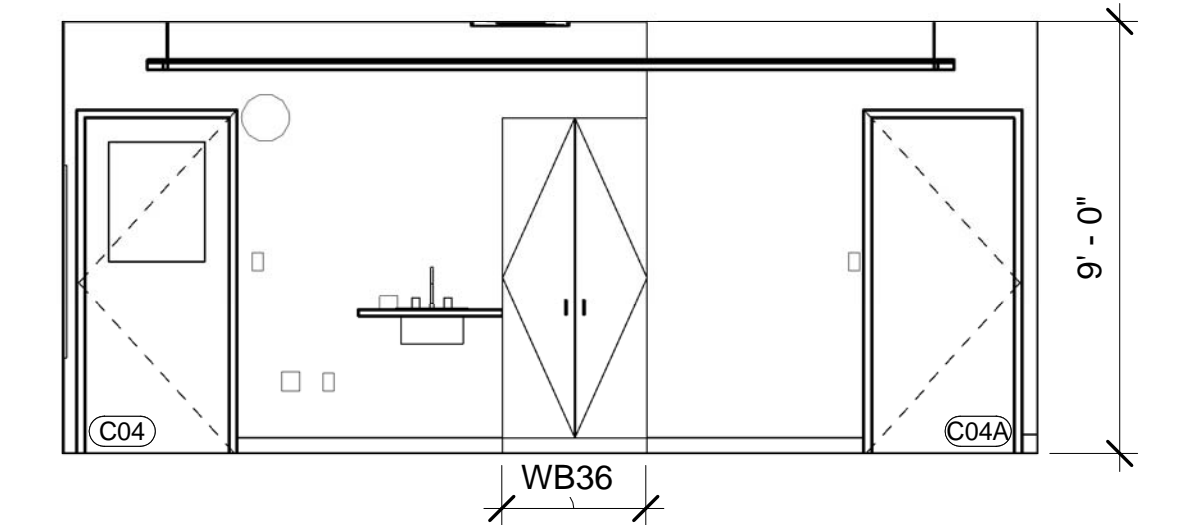
13 OT/PT C04 - NORTH ELEV
 AE103/AE751 SCALE: 1/4" = 1'-0"



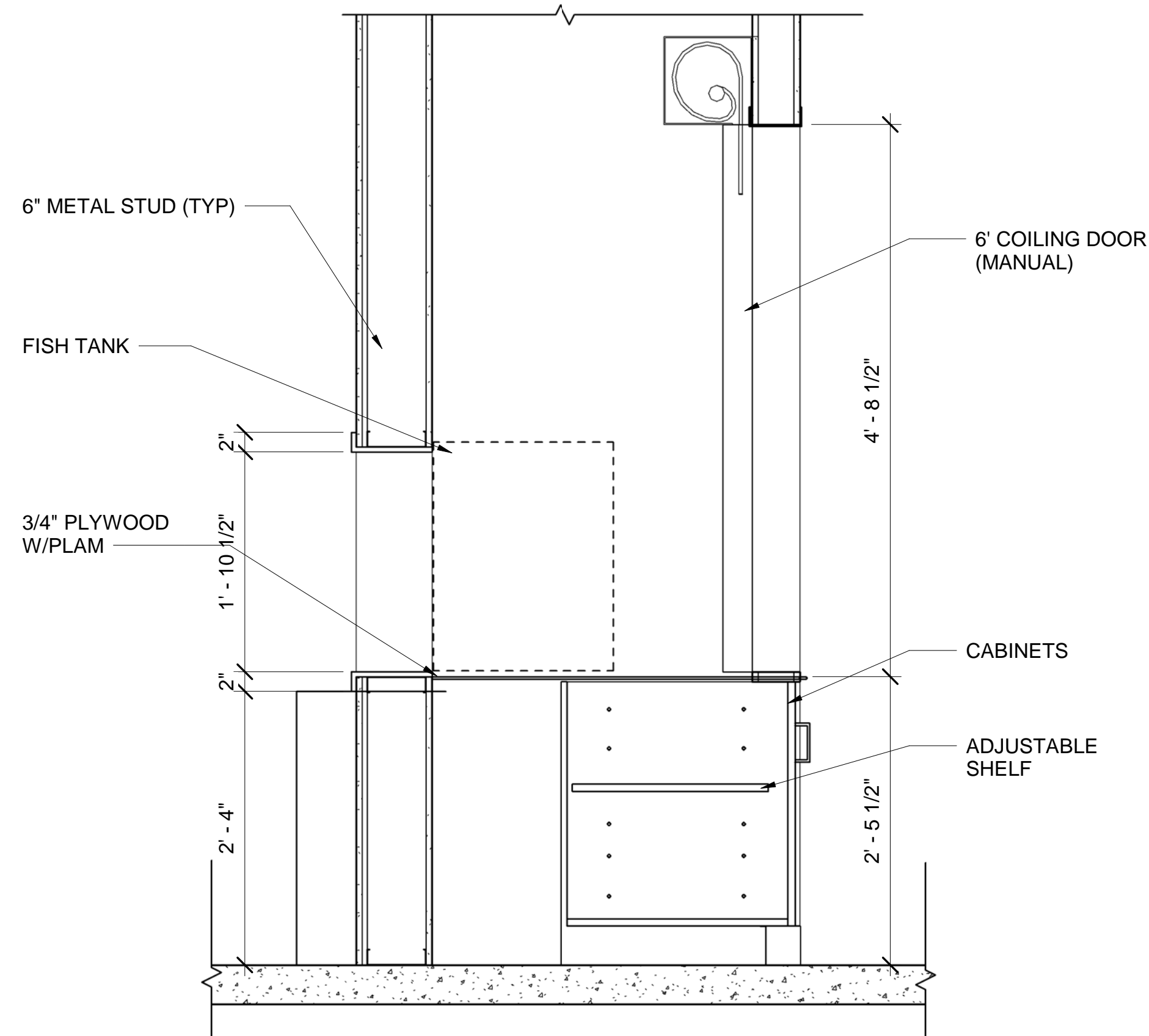
14 OT/PT C04 - EAST ELEV
 AE103/AE751 SCALE: 1/4" = 1'-0"



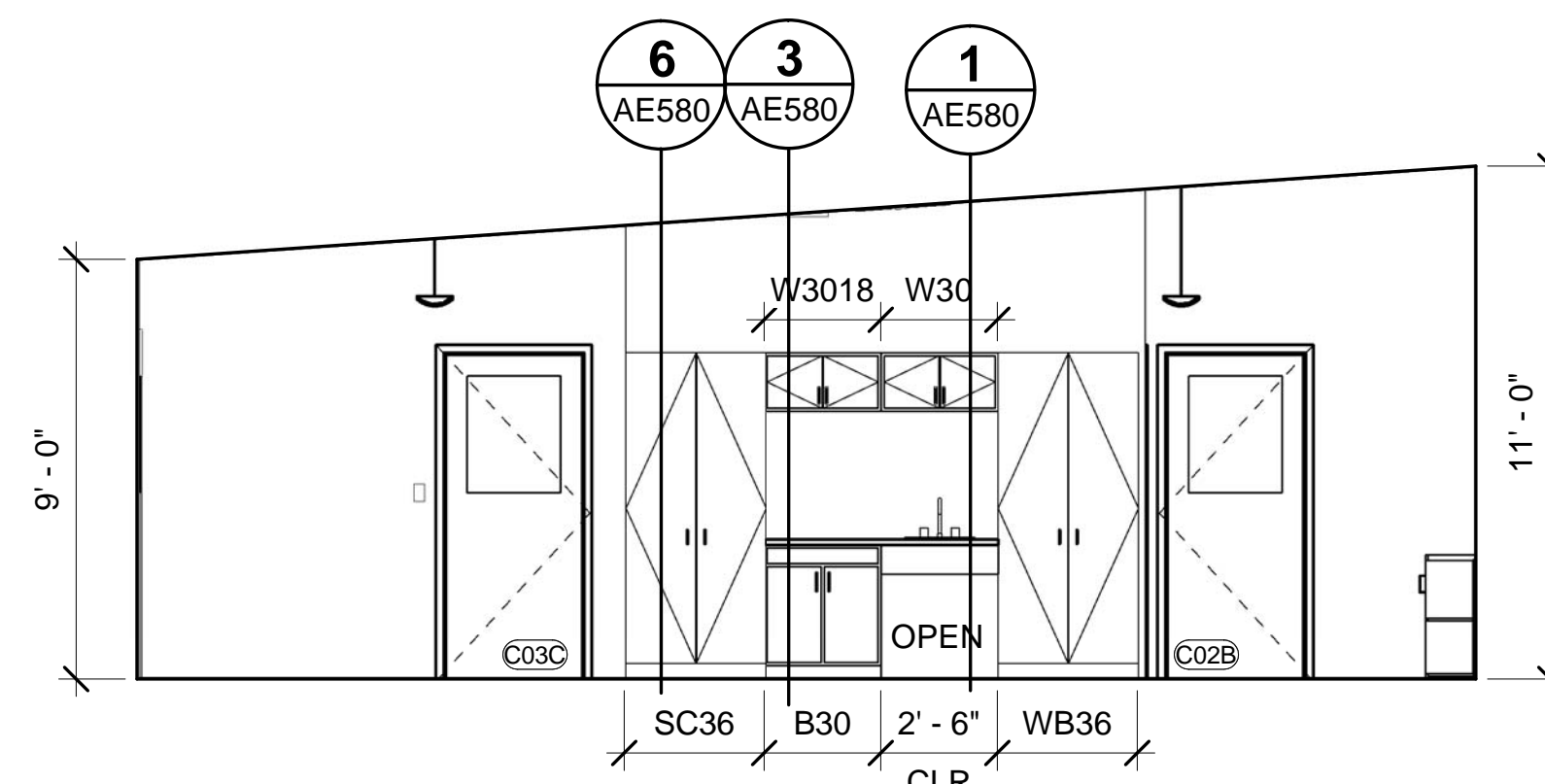
15 OT/PT C04 - SOUTH ELEV
 AE103/AE751 SCALE: 1/4" = 1'-0"



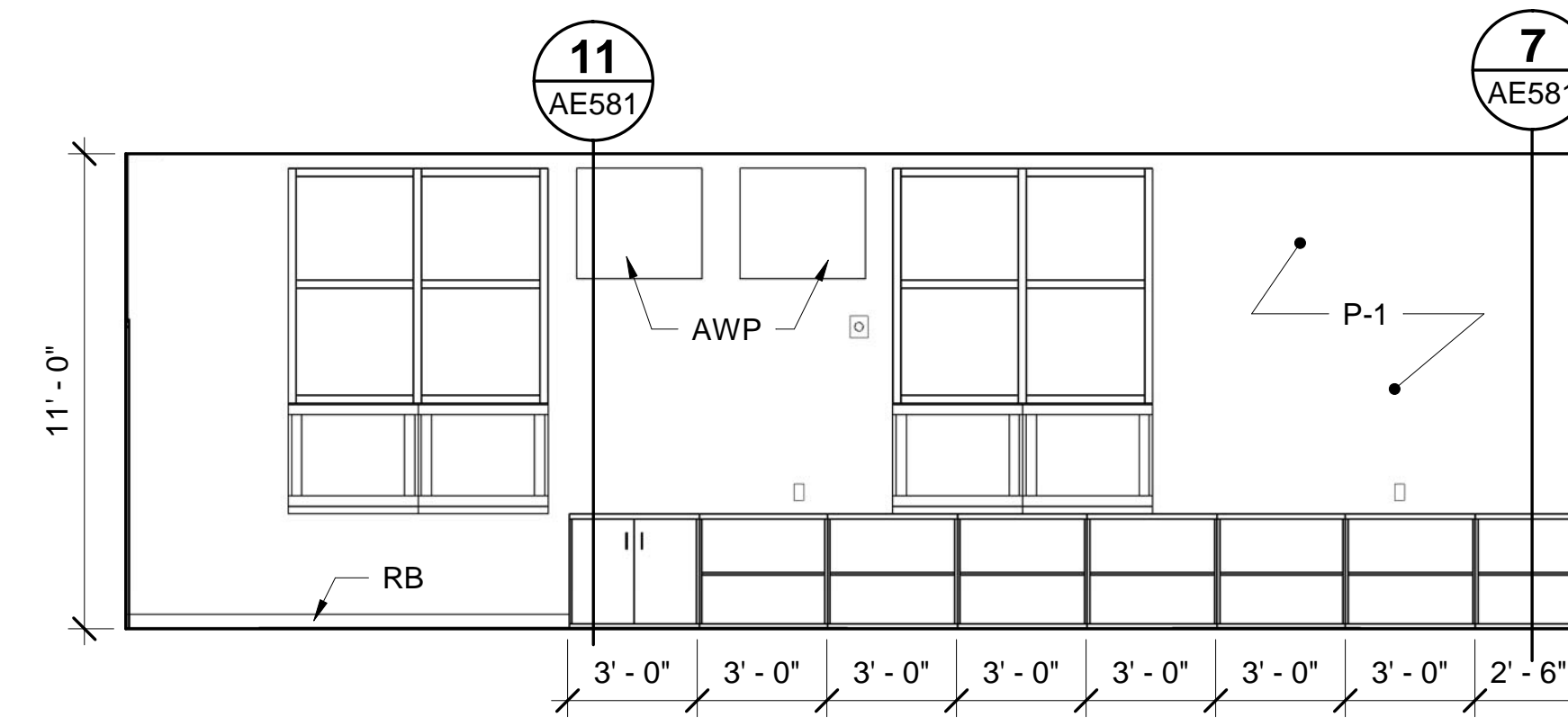
16 OT/PT C04 - WEST ELEV
 AE103/AE751 SCALE: 1/4" = 1'-0"



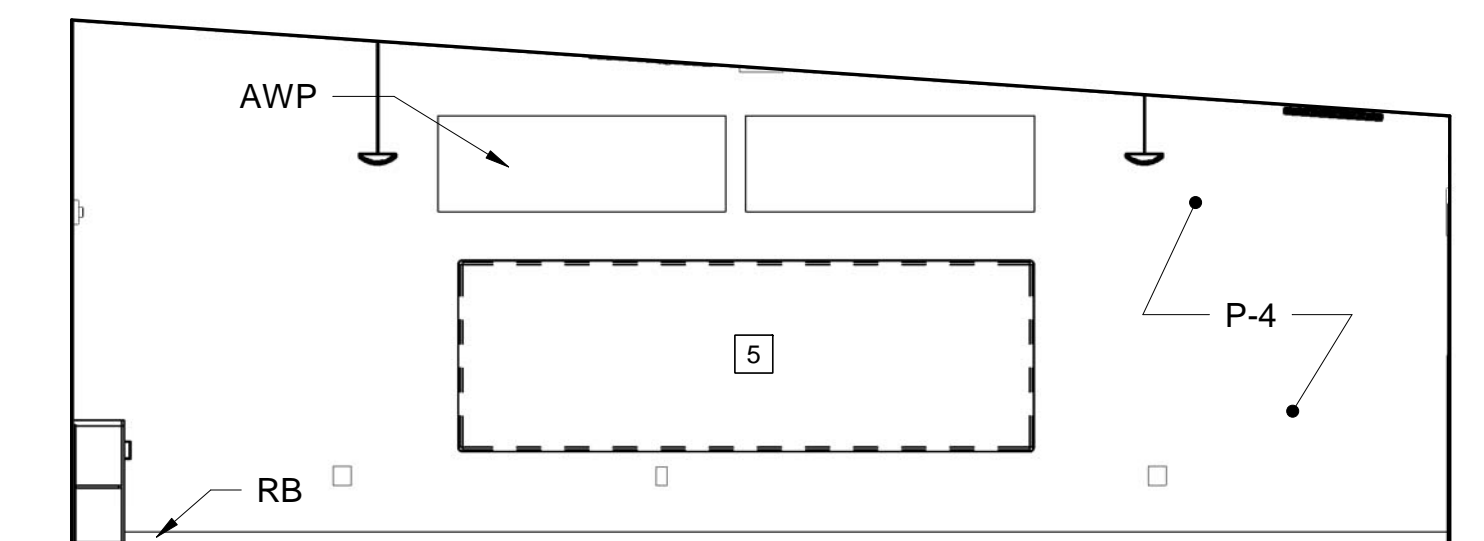
17 FISH TANK WALL SECTION
 AE102/AE751 SCALE: 1" = 1'-0"



18 K-2 FLS C03 - NORTH ELEV
 AE103/AE751 SCALE: 1/4" = 1'-0"



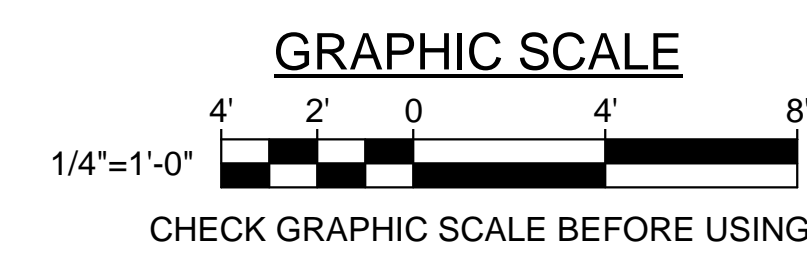
19 K-2 FLS C02 - EAST ELEV
 AE103/AE751 SCALE: 1/4" = 1'-0"



20 K-2 FLS C02 - SOUTH ELEV
 AE103/AE751 SCALE: 1/4" = 1'-0"

GENERAL NOTES:

1. SEE SHEET AE004 FOR KEYNOTES.



		<p>STATE OF MAINE PUBLIC SCHOOL PROJECT TITLE: PORTLAND PUBLIC SCHOOLS NEW FRED P. HALL ELEMENTARY SCHOOL LOCATION: 23 ORONO ROAD, PORTLAND, ME INTERIOR ELEVATIONS</p>
<p>DRAWN BY: CET CHECK BY: TGB</p>	<p>DATE: 03/17/17</p>	<p>OAK POINT ASSOCIATES 211 OF 312</p>
<p>NO. DATE DESCRIPTION BY NO.</p>	<p>REVISIONS</p>	<p>NO. DATE DESCRIPTION BY NO.</p>