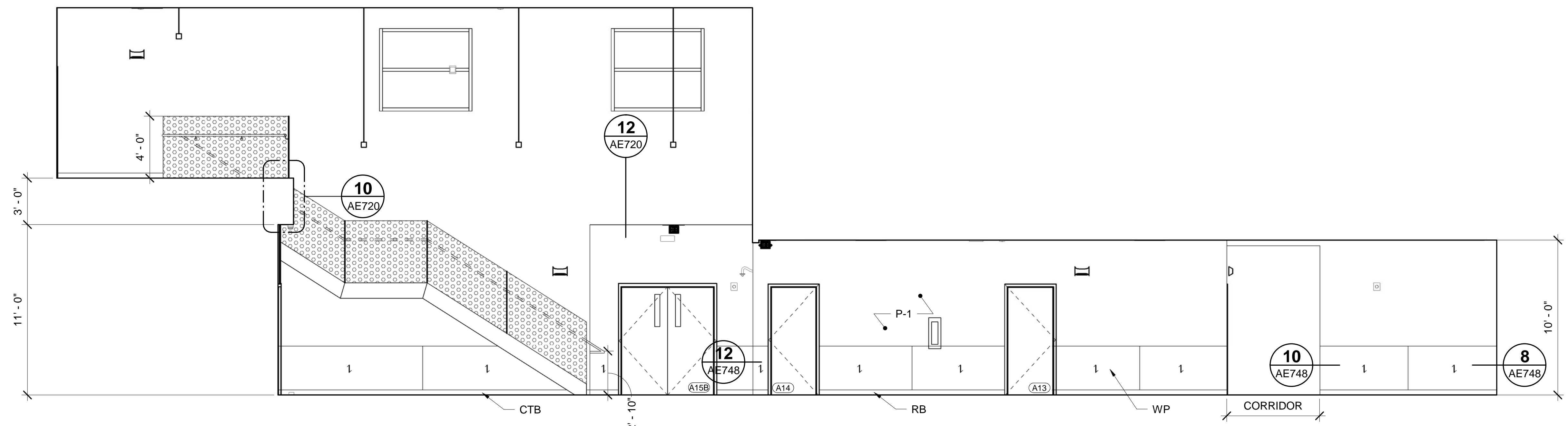
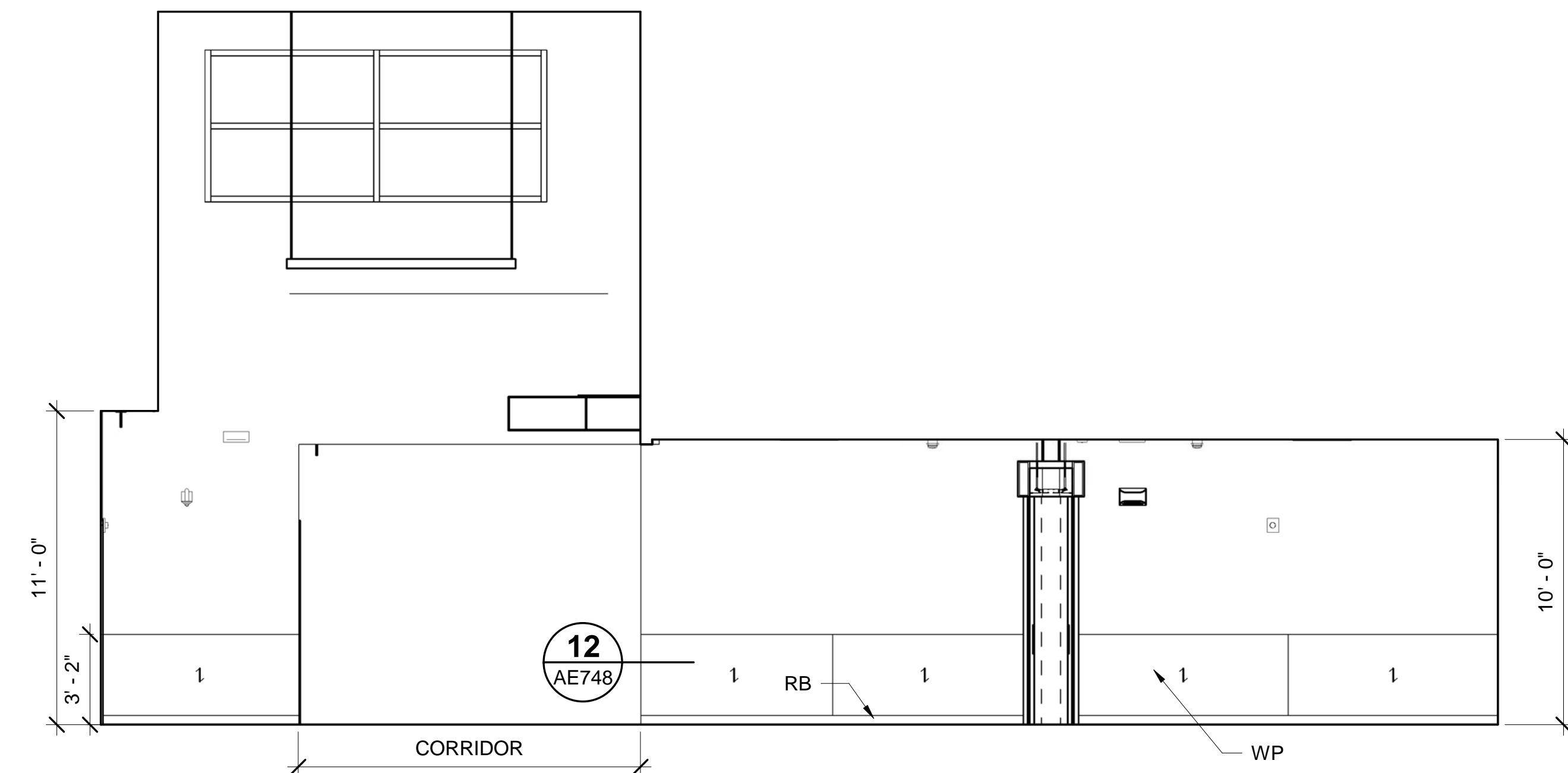


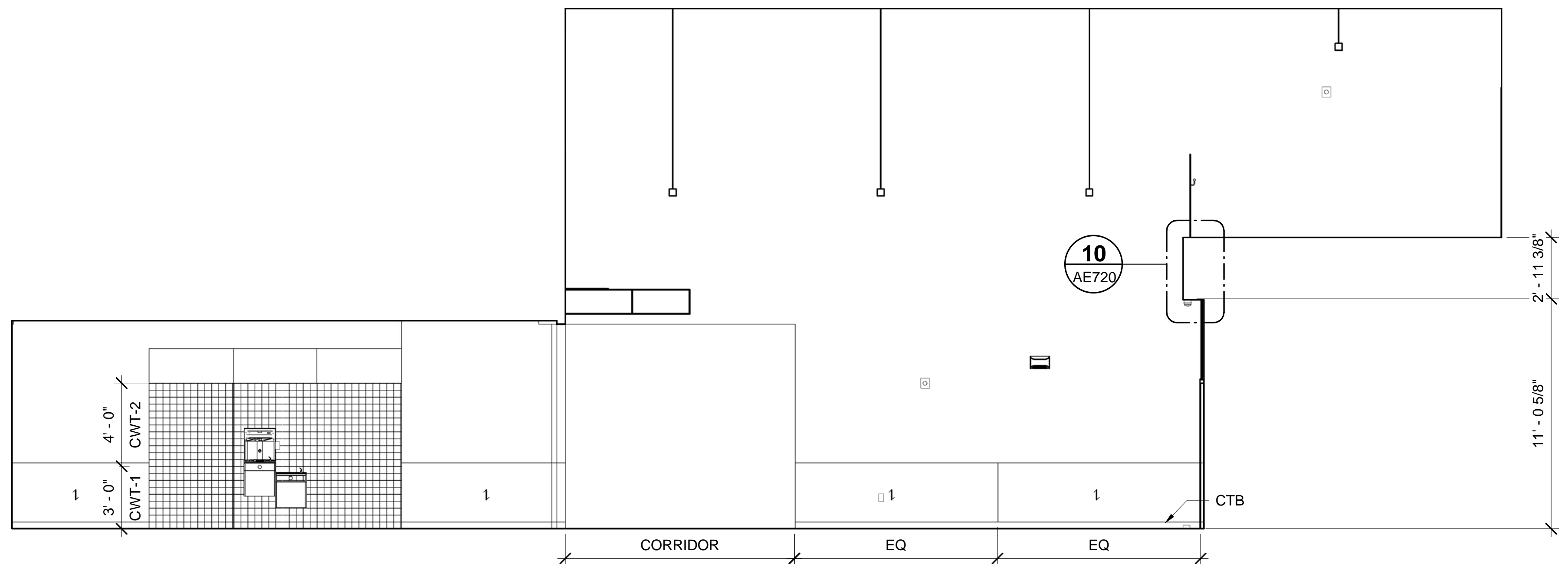
**1 CORRIDOR A16 - NORTH ELEV**  
AE101/AE748 SCALE: 1/4" = 1'-0"



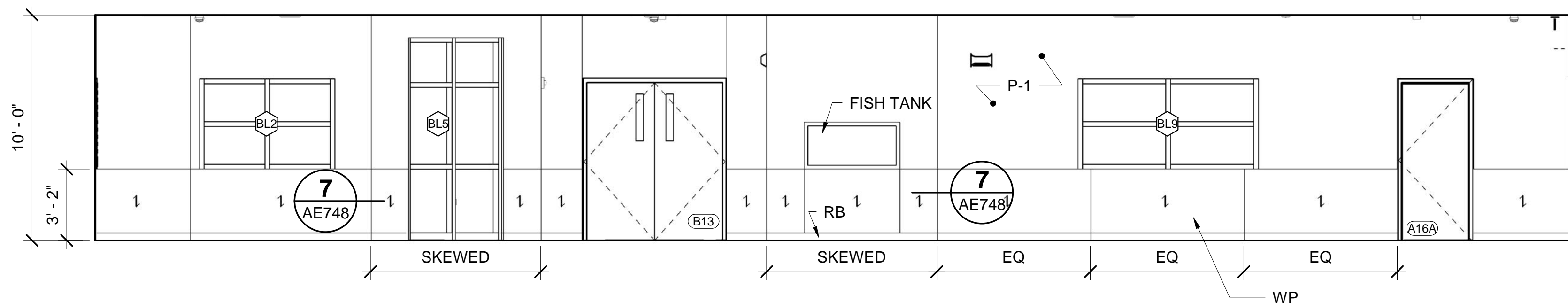
**2 CORRIDOR A16 - EAST ELEV**  
AE101/AE748 SCALE: 1/4" = 1'-0"



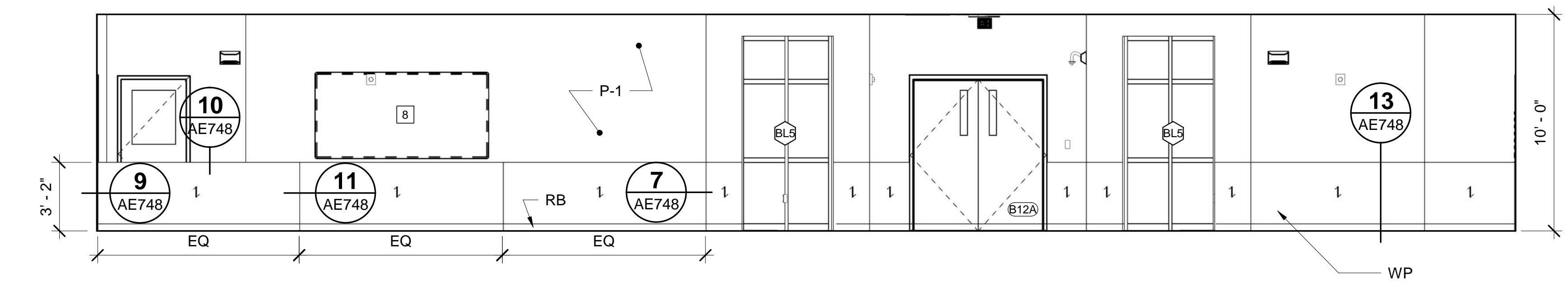
**3 CORRIDOR A16 - SOUTH ELEV**  
AE101/AE748 SCALE: 1/4" = 1'-0"



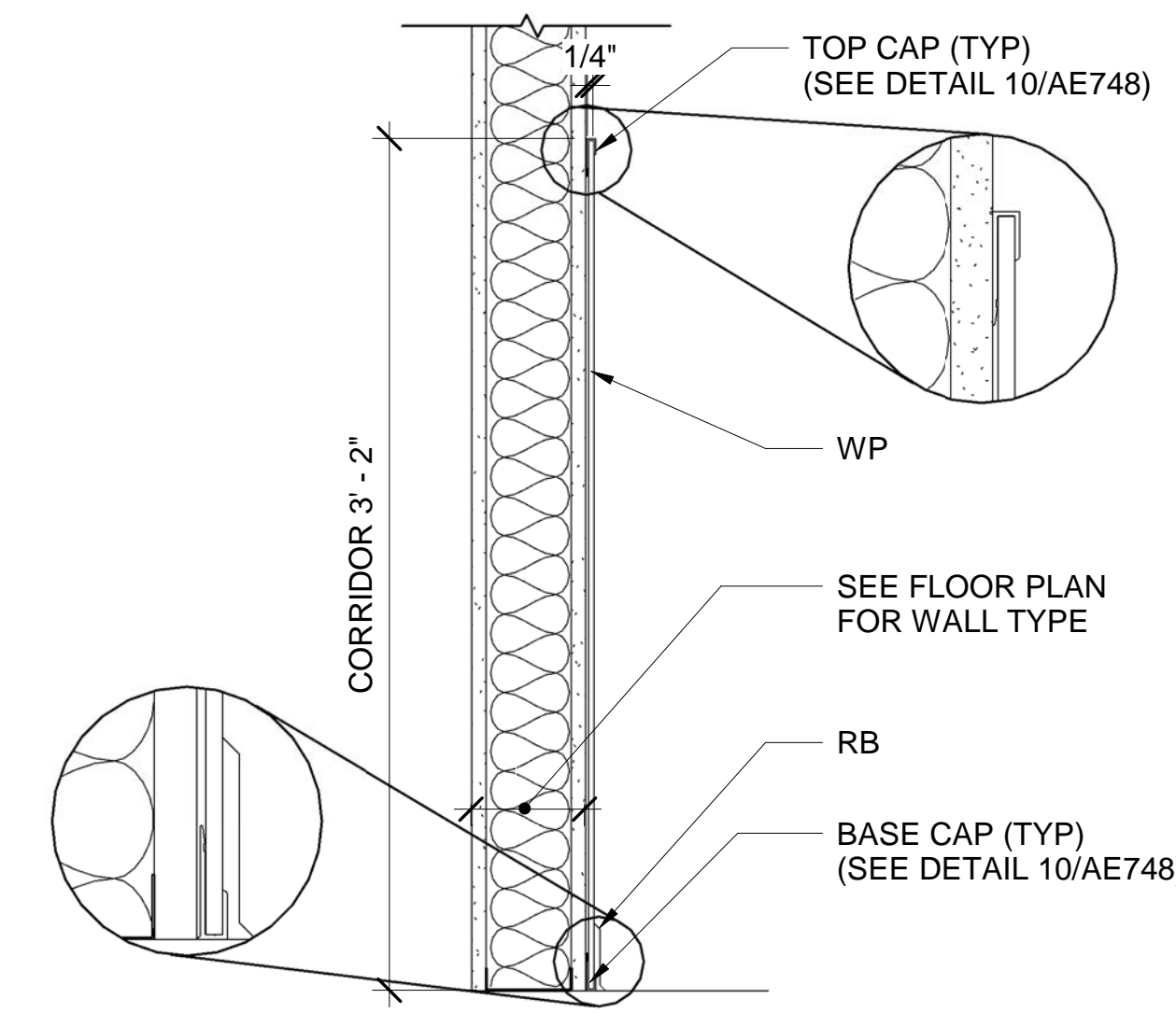
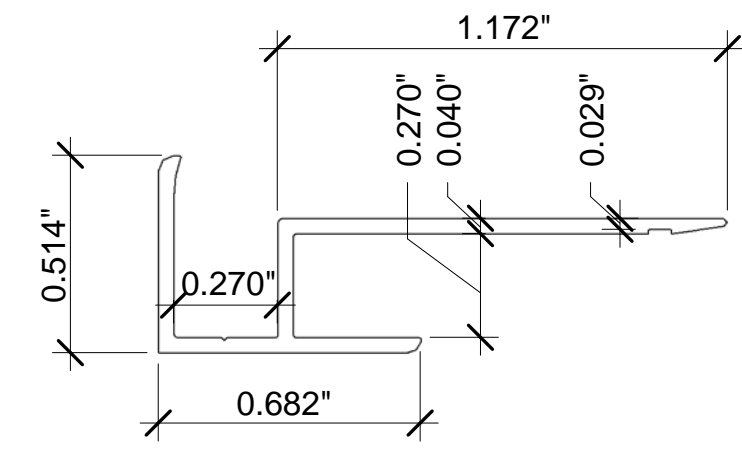
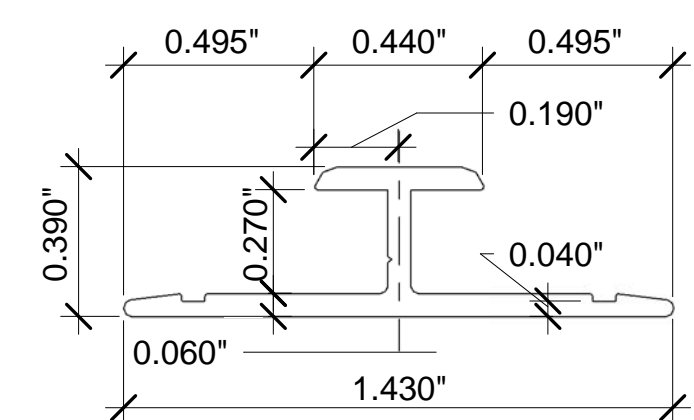
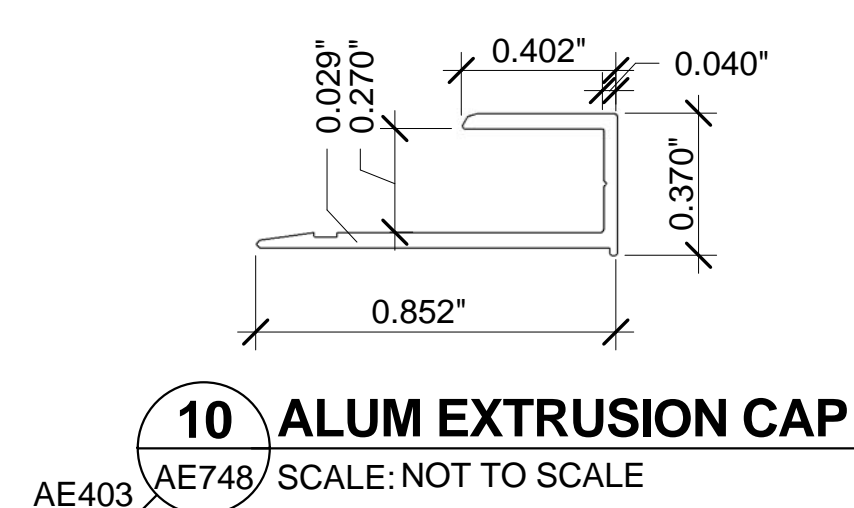
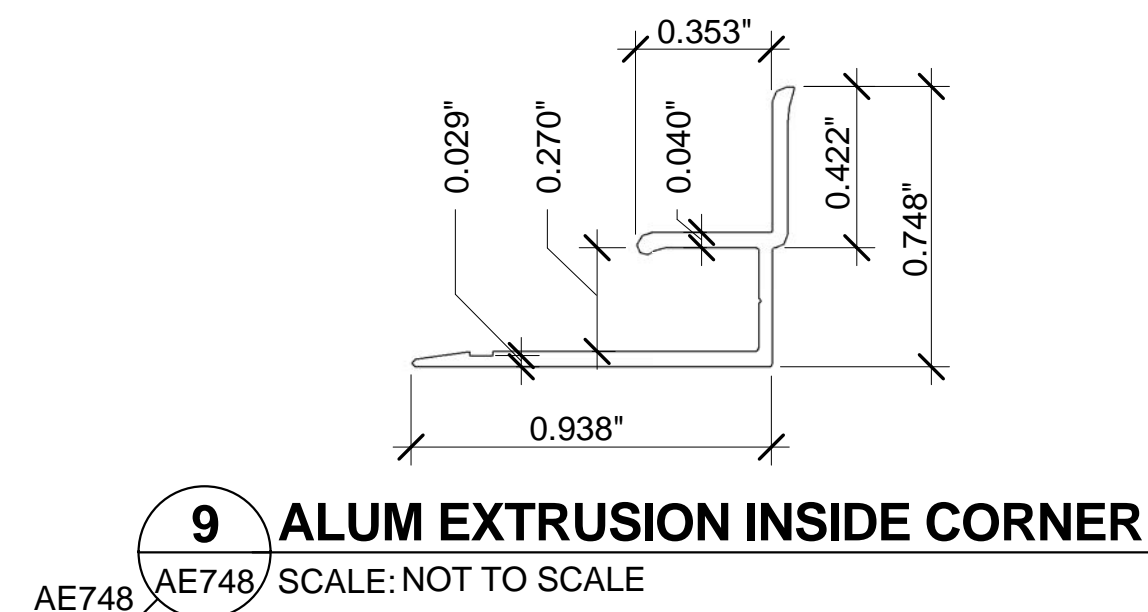
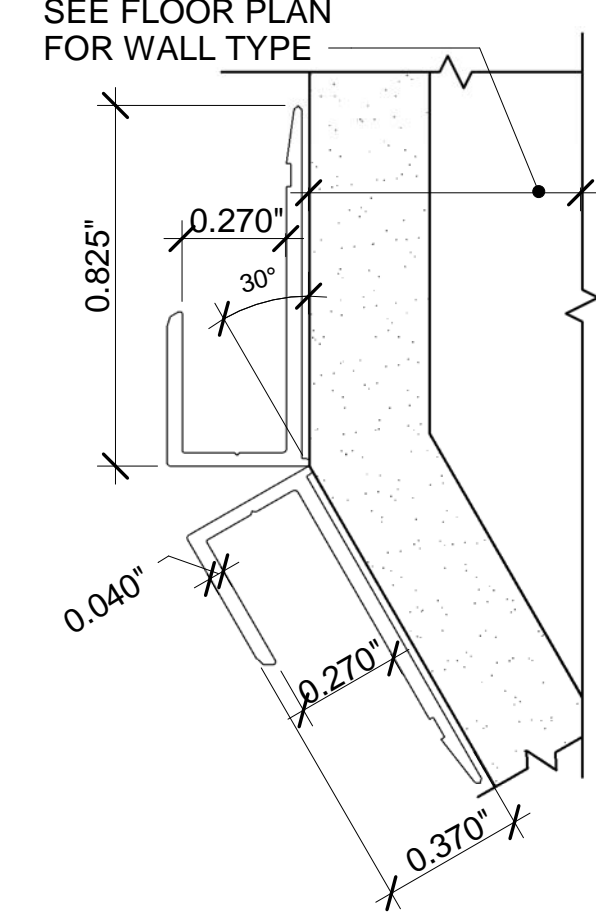
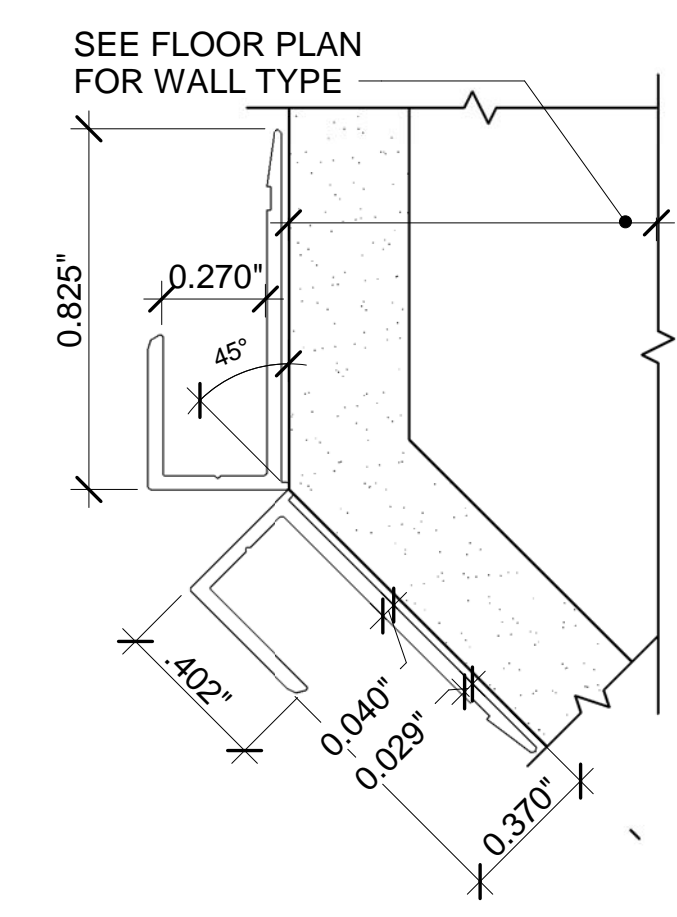
**4 CORRIDOR A16 - WEST ELEV**  
AE101/AE748 SCALE: 1/4" = 1'-0"



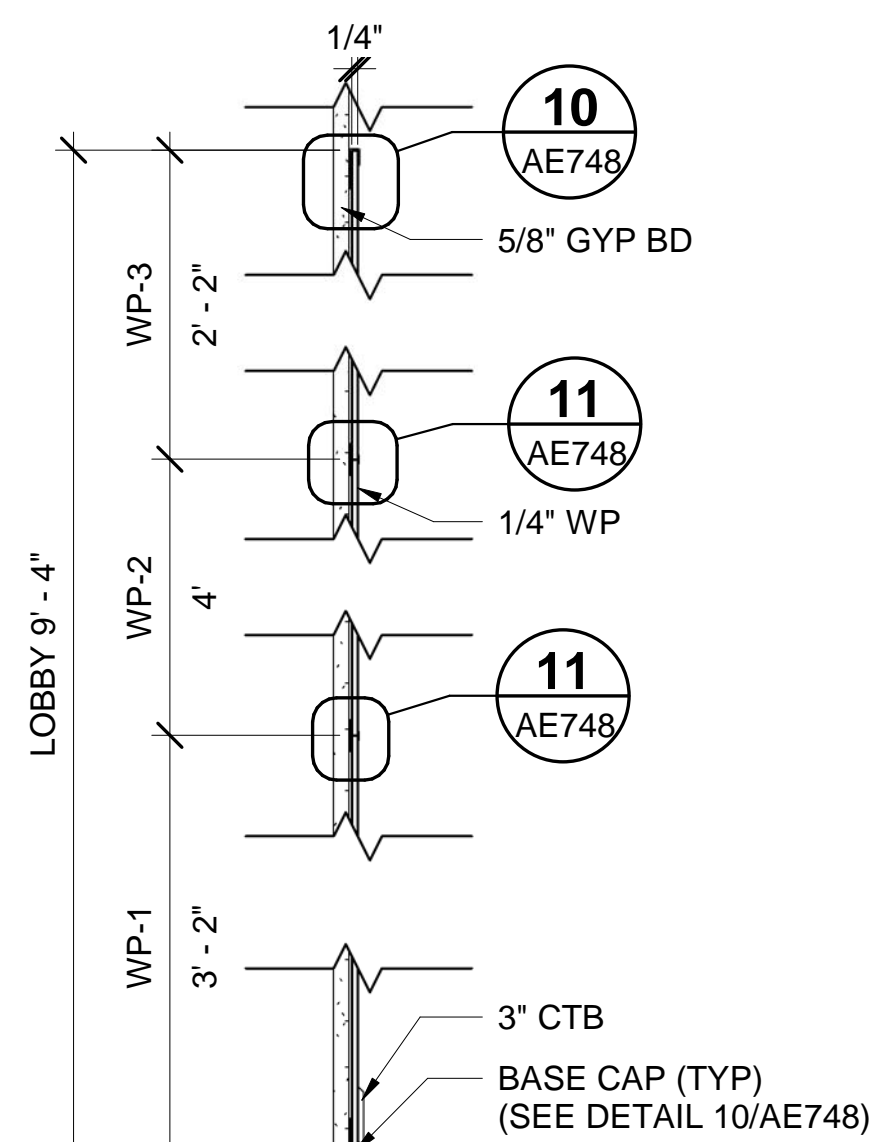
**5 CORRIDOR B13 - EAST ELEV**  
AE101/AE748 SCALE: 1/4" = 1'-0"



**6 CORRIDOR B13 - WEST ELEV**  
AE101/AE748 SCALE: 1/4" = 1'-0"



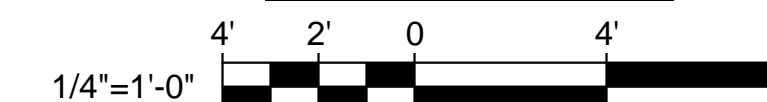
**13 WALL PROTECTION PANELS DETAIL**  
AE748/AE748 SCALE: 1 1/2" = 1'-0"



**14 LOBBY A02 WALL PANEL DETAIL**  
AE403/AE748 SCALE: 1 1/2" = 1'-0"

NOTE: COORDINATE ALUM TRIM WITH PANEL (WP) THICKNESS

GRAPHIC SCALE



GENERAL NOTES:  
1. SEE SHEET AE004 FOR KEYNOTES.

STATE OF MAINE  
PUBLIC SCHOOL PROJECT  
PORTLAND PUBLIC SCHOOLS  
NEW FRED P. HALL ELEMENTARY SCHOOL  
LOCATION: 23 ORONO ROAD, PORTLAND, ME  
TITLE THIS DWG:  
INTERIOR ELEVATIONS



DRAWN BY: JGB  
CHECK BY: TGB  
DATE: 03/17/17

OAK POINT ASSOCIATES  
AE748  
DRAWING NO.  
SHEET NO.

NO.	DATE	DESCRIPTION	BY	NO.