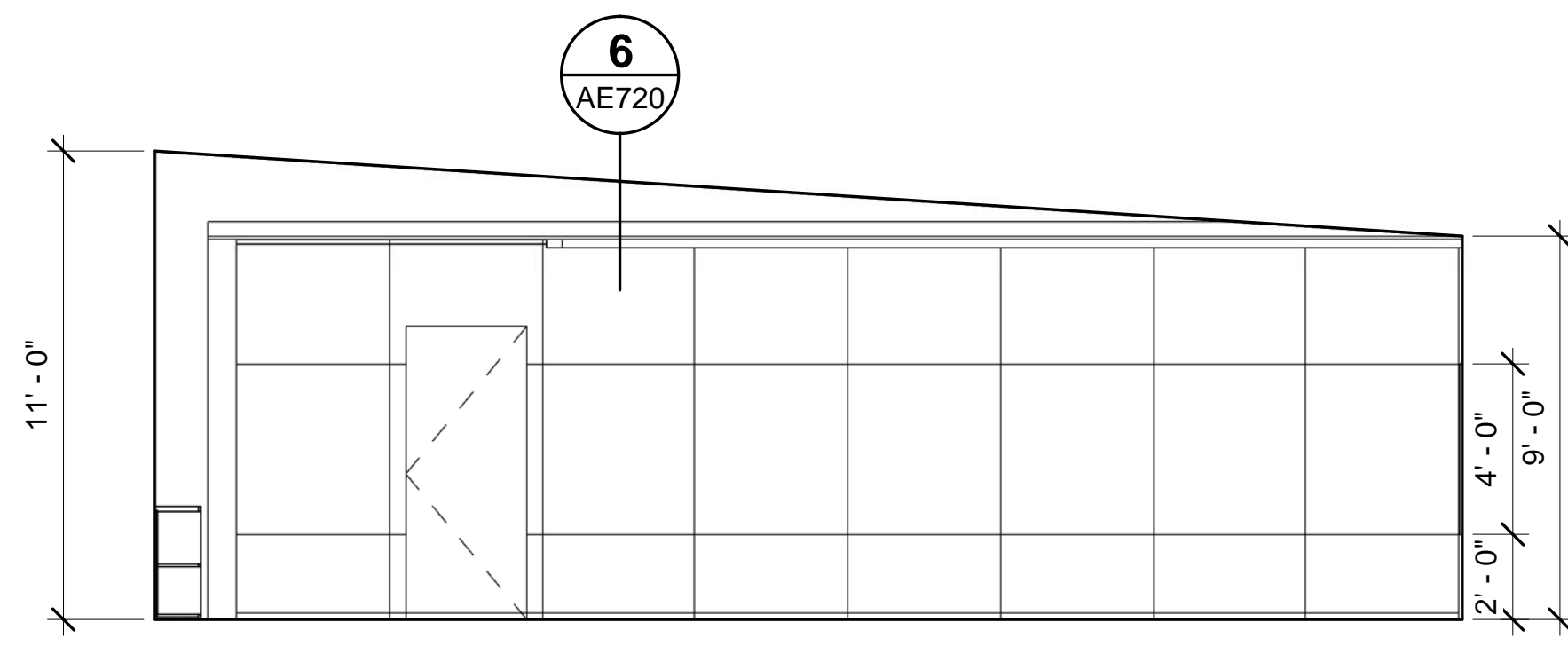
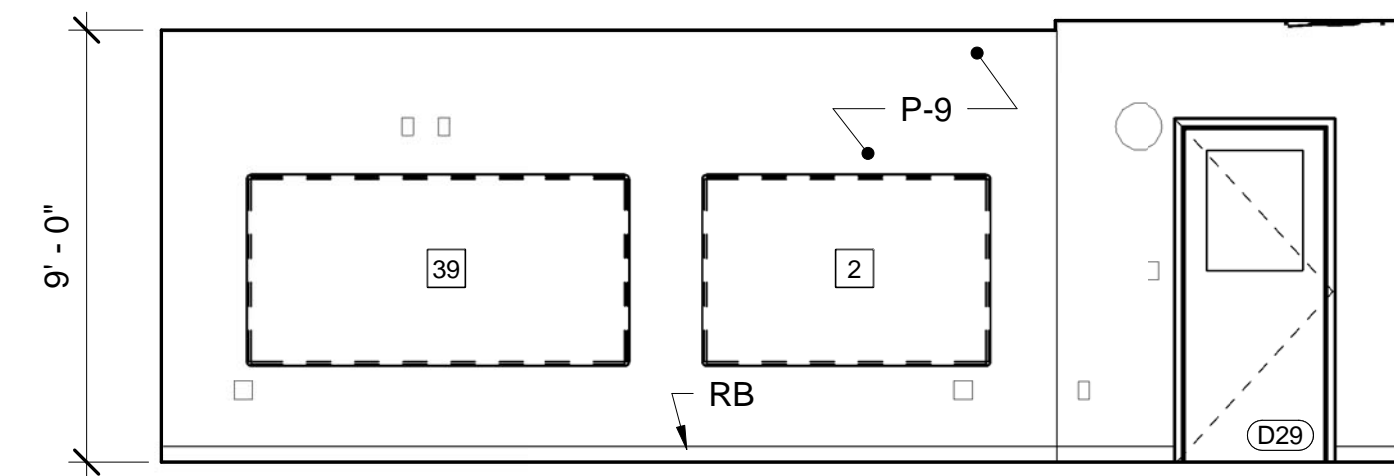


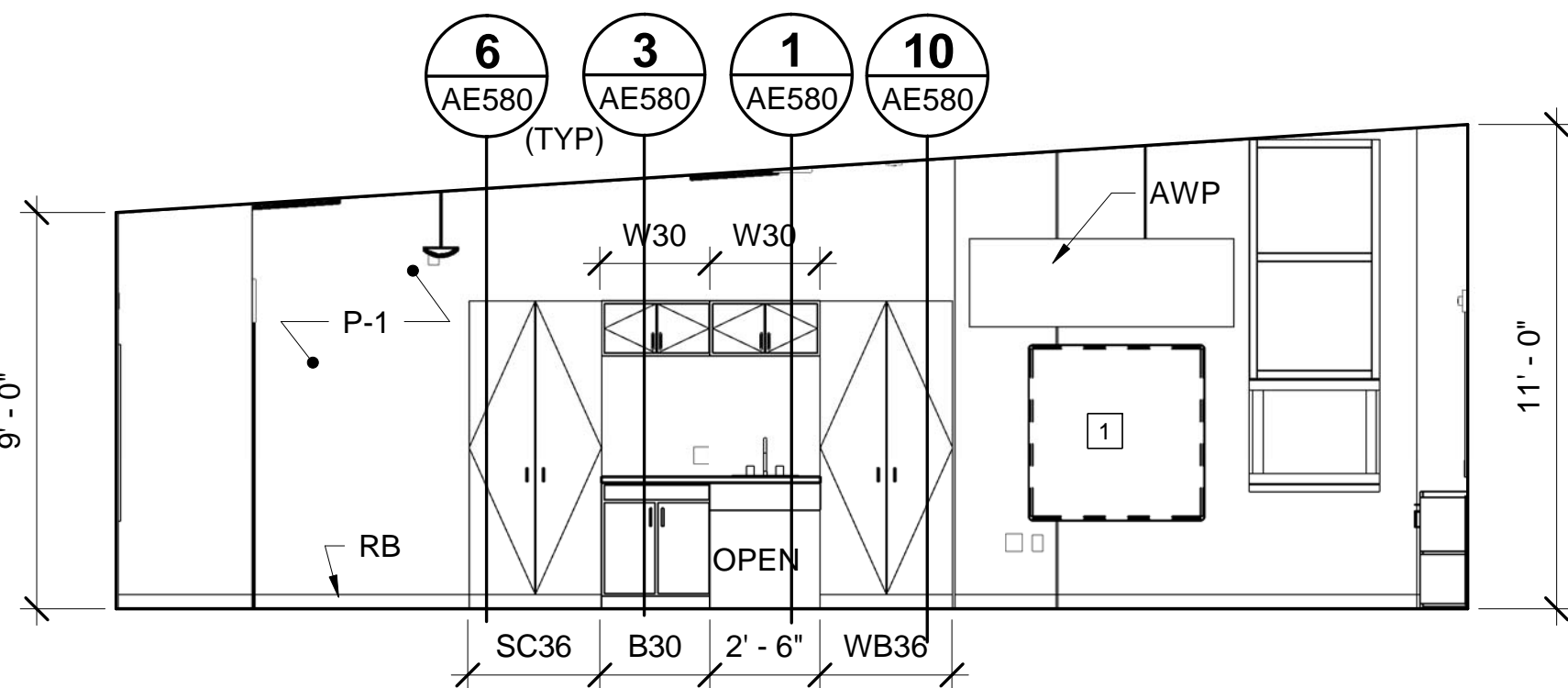
1 3RD GRADE D29 - NORTH ELEV
AE104 AE747 SCALE: 1/4" = 1'-0"



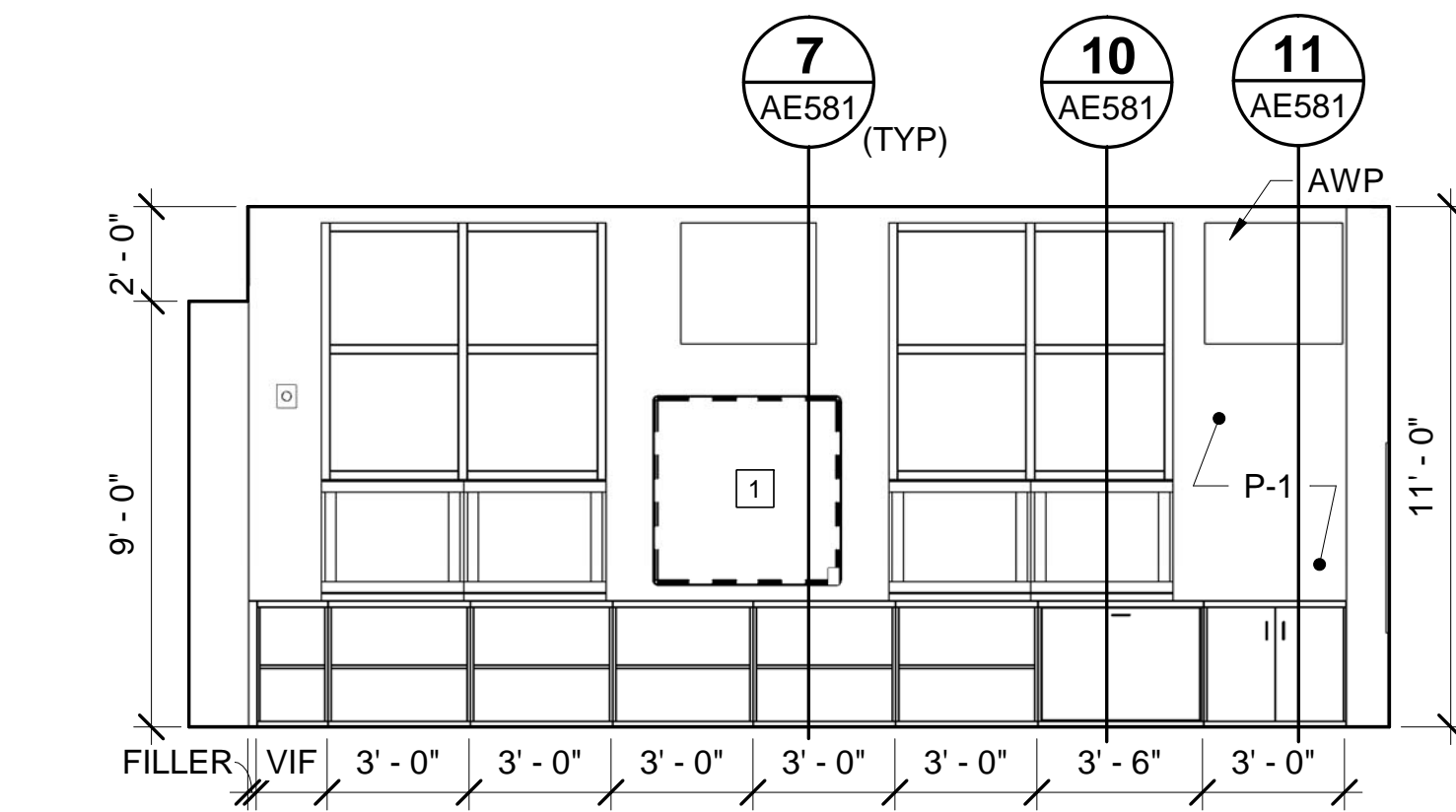
2 3RD GRADE D29 - EAST ELEV
AE104 AE747 SCALE: 1/4" = 1'-0"



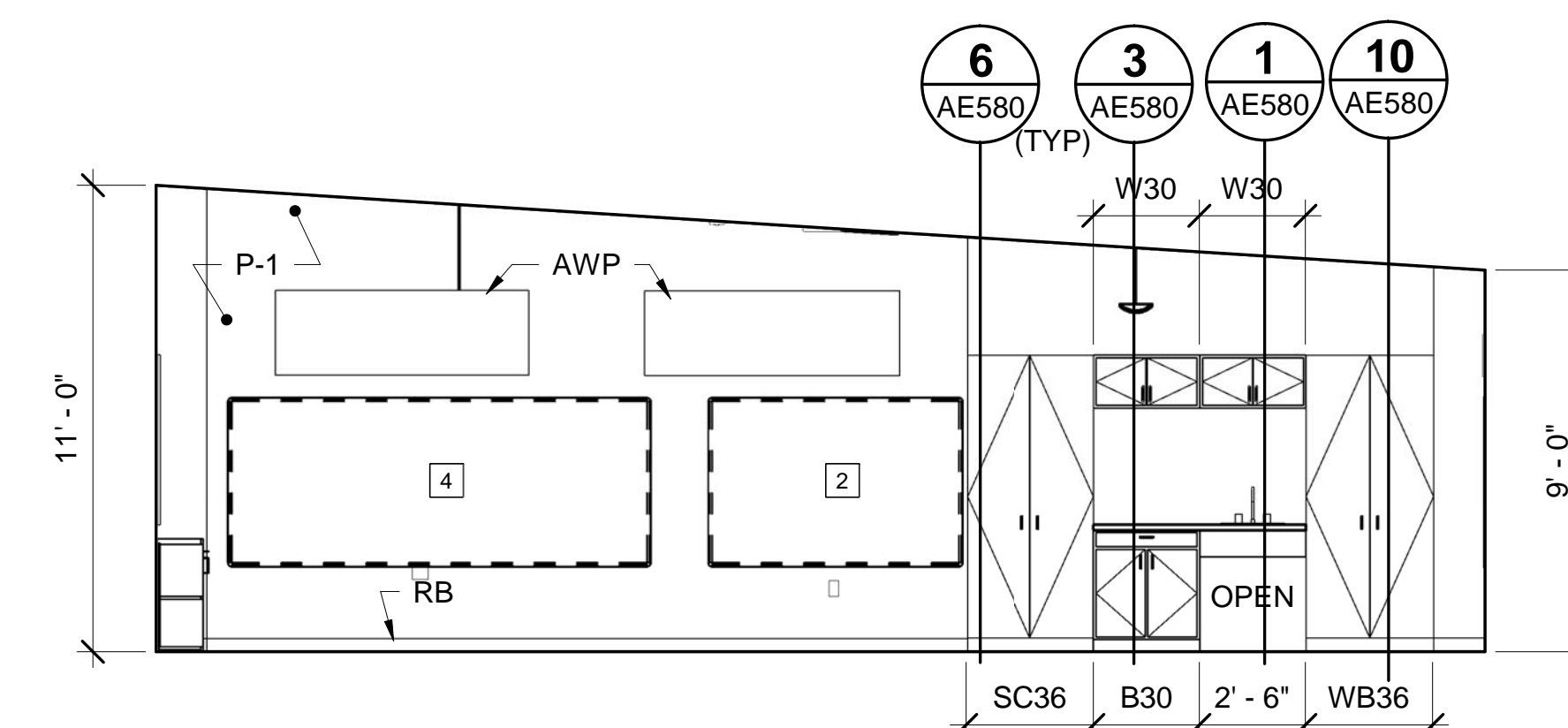
3 3RD GRADE D29 - SOUTH ELEV
AE104 AE747 SCALE: 1/4" = 1'-0"



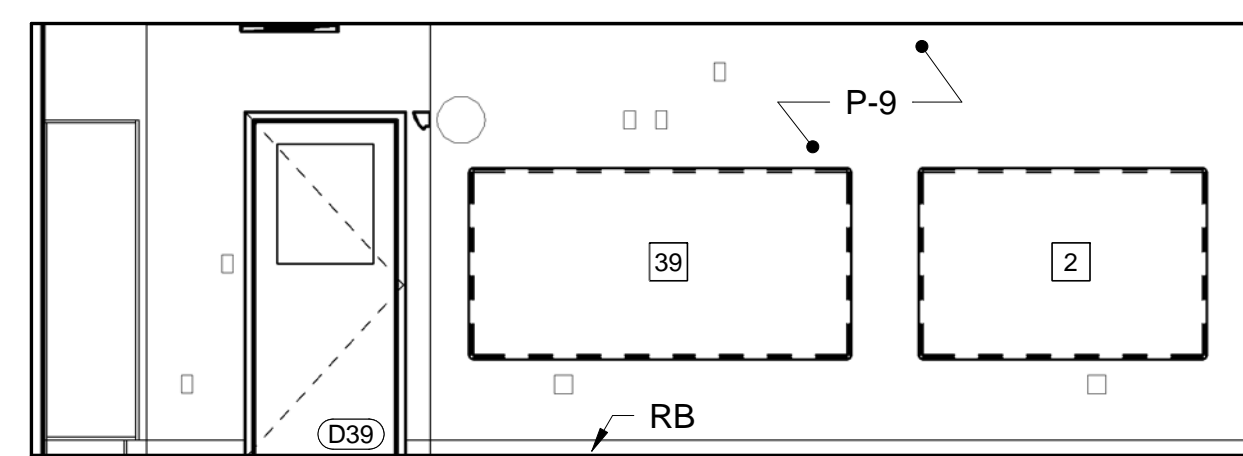
4 3RD GRADE D29 - WEST ELEV
AE104 AE747 SCALE: 1/4" = 1'-0"



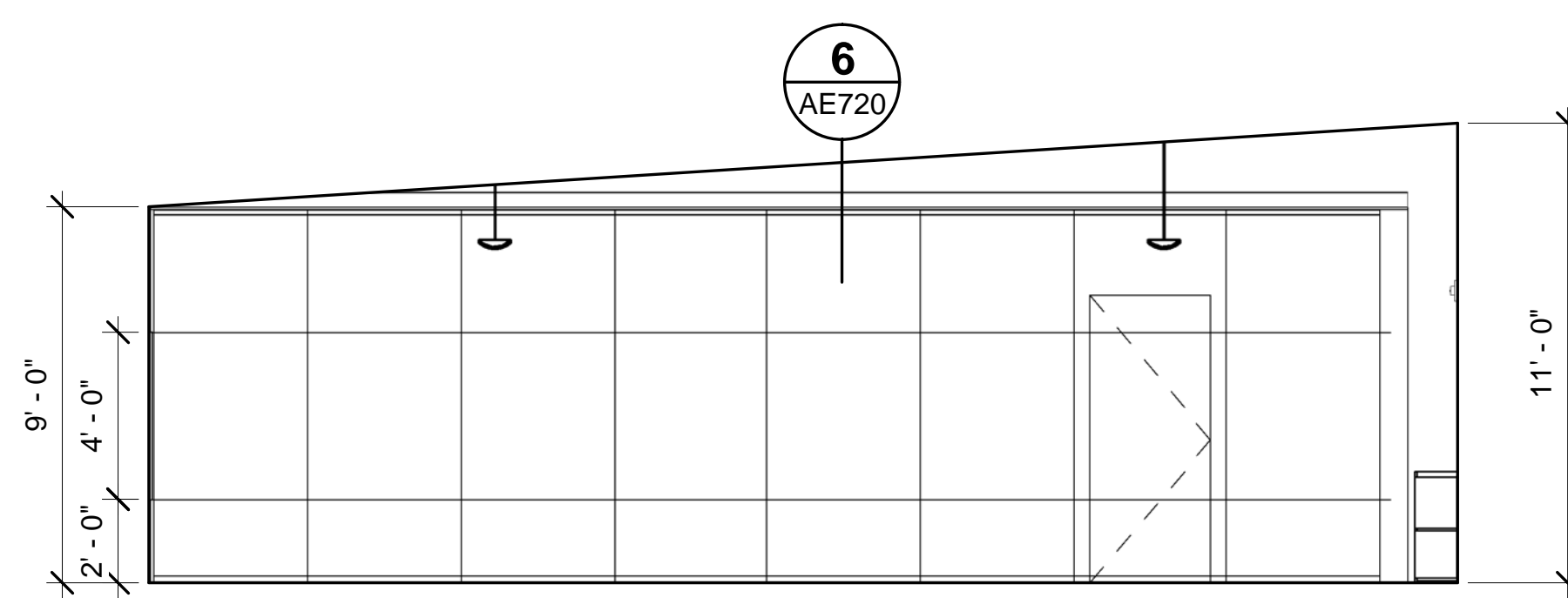
5 4TH GRADE D39 - NORTH ELEV
AE104 AE747 SCALE: 1/4" = 1'-0"



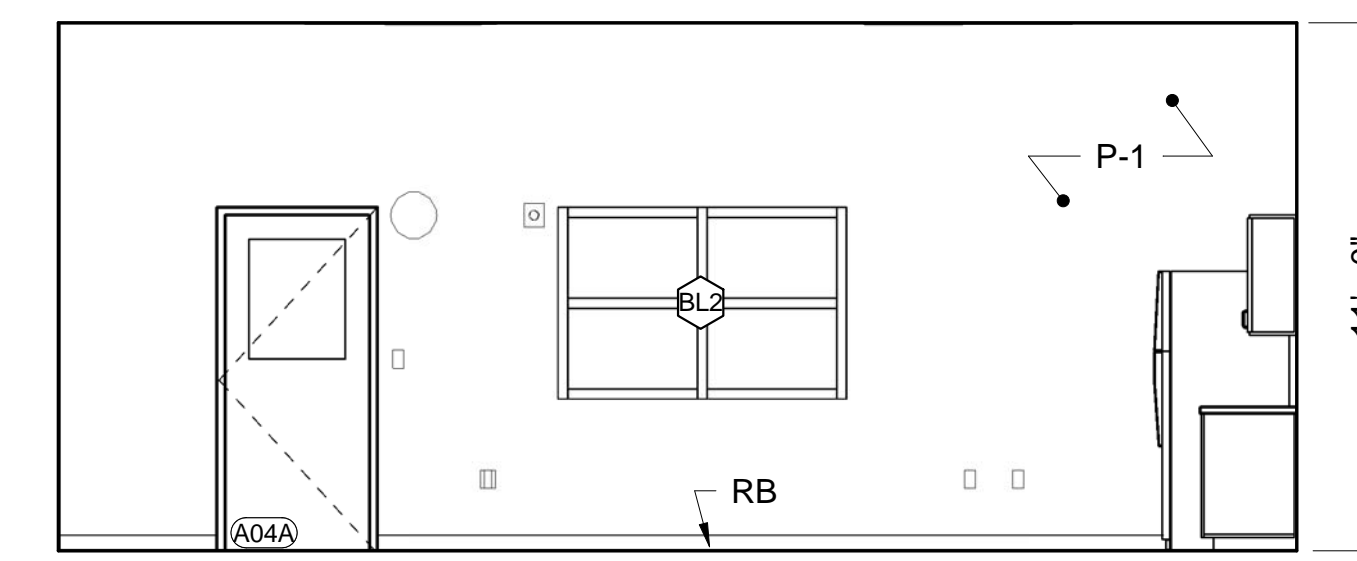
6 4TH GRADE D39 - EAST ELEV
AE104 AE747 SCALE: 1/4" = 1'-0"



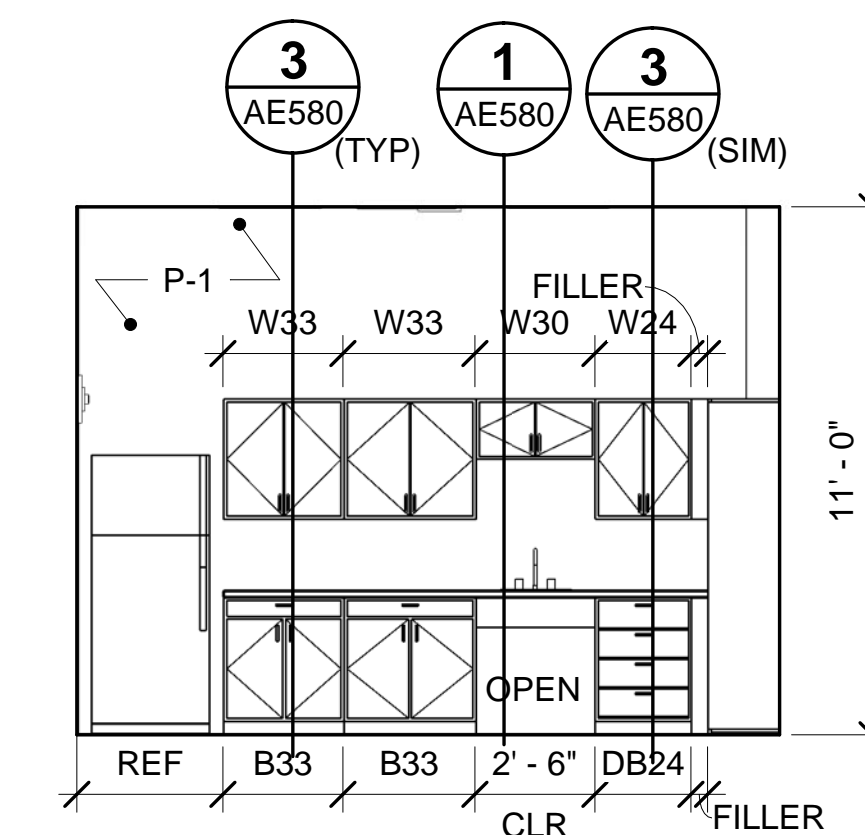
7 4TH GRADE D39 - SOUTH ELEV
AE104 AE747 SCALE: 1/4" = 1'-0"



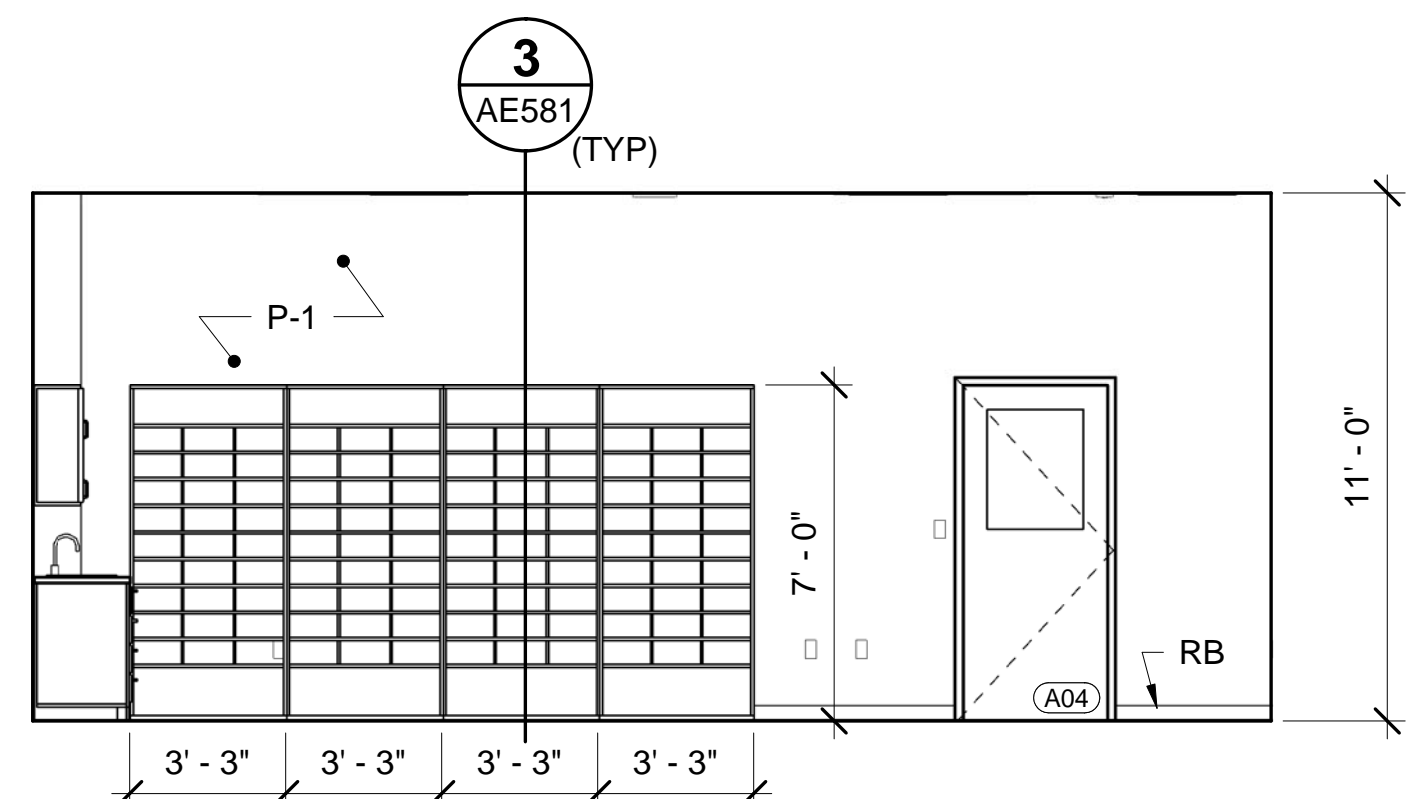
8 4TH GRADE D39 - WEST ELEV
AE104 AE747 SCALE: 1/4" = 1'-0"



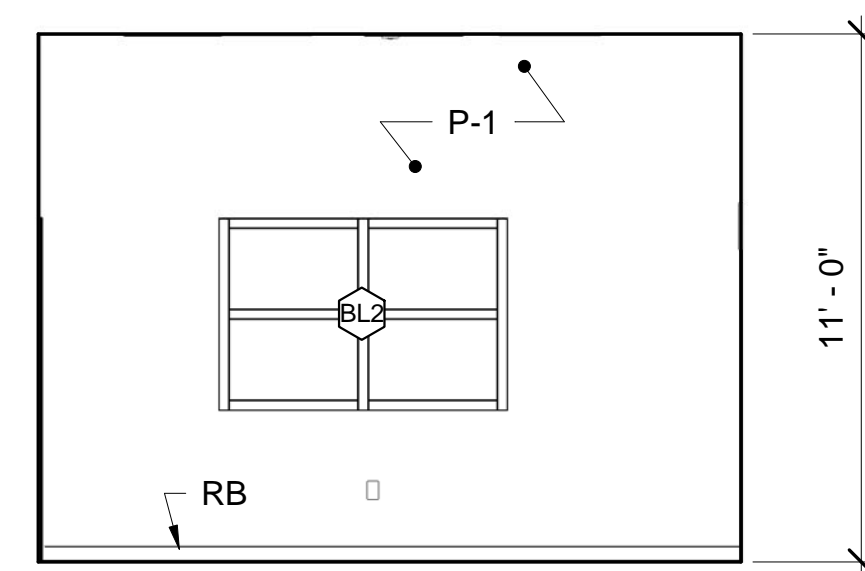
9 WORK/VOL A04-WEST ELEV
AE101 AE747 SCALE: 1/4" = 1'-0"



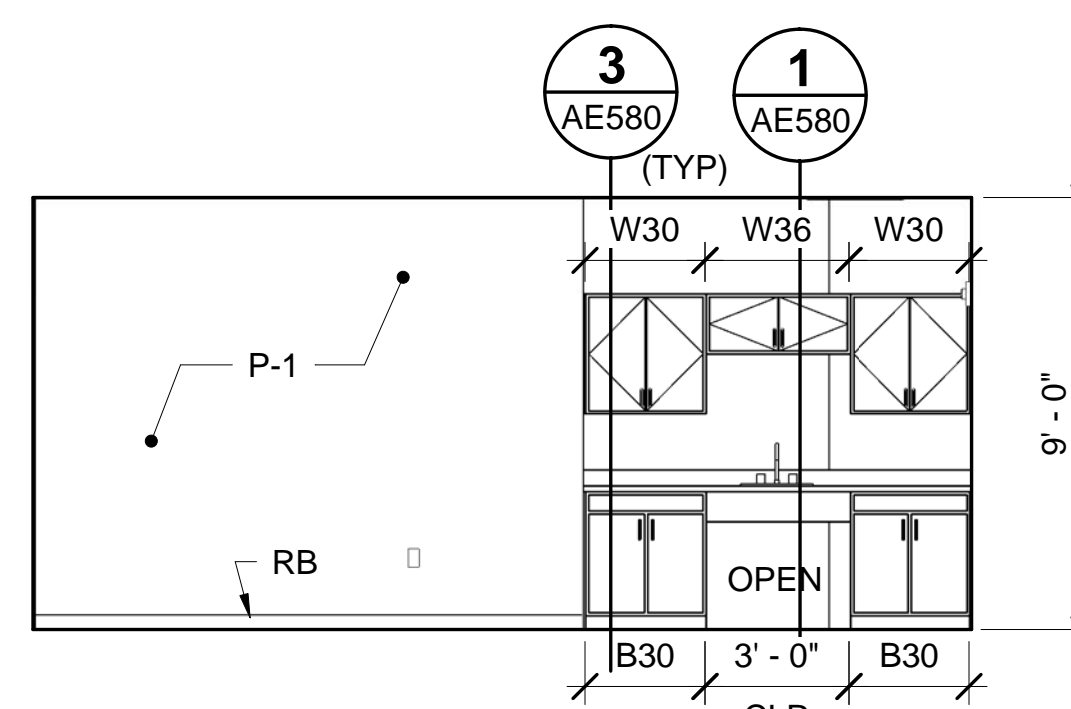
10 WORK/VOL A04-NORTH ELEV
AE101 AE747 SCALE: 1/4" = 1'-0"



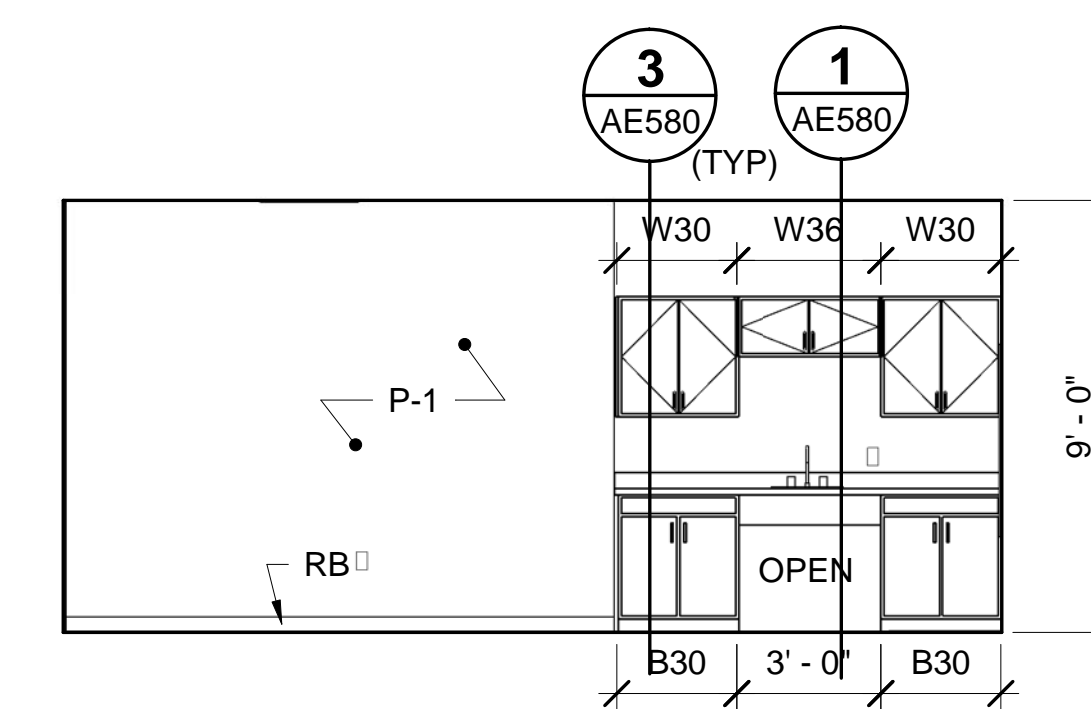
11 WORK/VOL A04-EAST ELEV
AE101 AE747 SCALE: 1/4" = 1'-0"



12 WORK/VOL A04-SOUTH ELEV
AE101 AE747 SCALE: 1/4" = 1'-0"



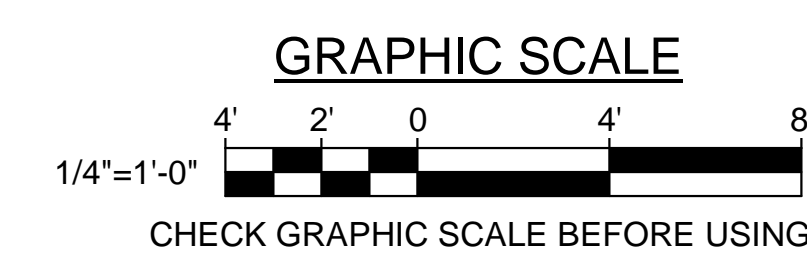
13 WORK ROOM D32 - EAST ELEV
AE104 AE747 SCALE: 1/4" = 1'-0"



14 WORK ROOM C20 - EAST ELEV
AE103 AE747 SCALE: 1/4" = 1'-0"

GENERAL NOTES:

1. SEE SHEET AE004 FOR KEYNOTES.



		<p>STATE OF MAINE PUBLIC SCHOOL PROJECT TITLE: PORTLAND PUBLIC SCHOOLS NEW FRED P. HALL ELEMENTARY SCHOOL LOCATION: 23 ORONO ROAD, PORTLAND, ME TITLE THIS DWG: INTERIOR ELEVATIONS</p>
<p>DRAWN BY: JGB CHECK BY: TGB</p>	<p>DATE: 03/17/17</p>	<p>OAK POINT ASSOCIATES AE747 SHEET NO. 207 OF 312</p>
<p>NO. DATE DESCRIPTION BY NO.</p>	<p>REVISIONS</p>	<p>207 OF 312</p>