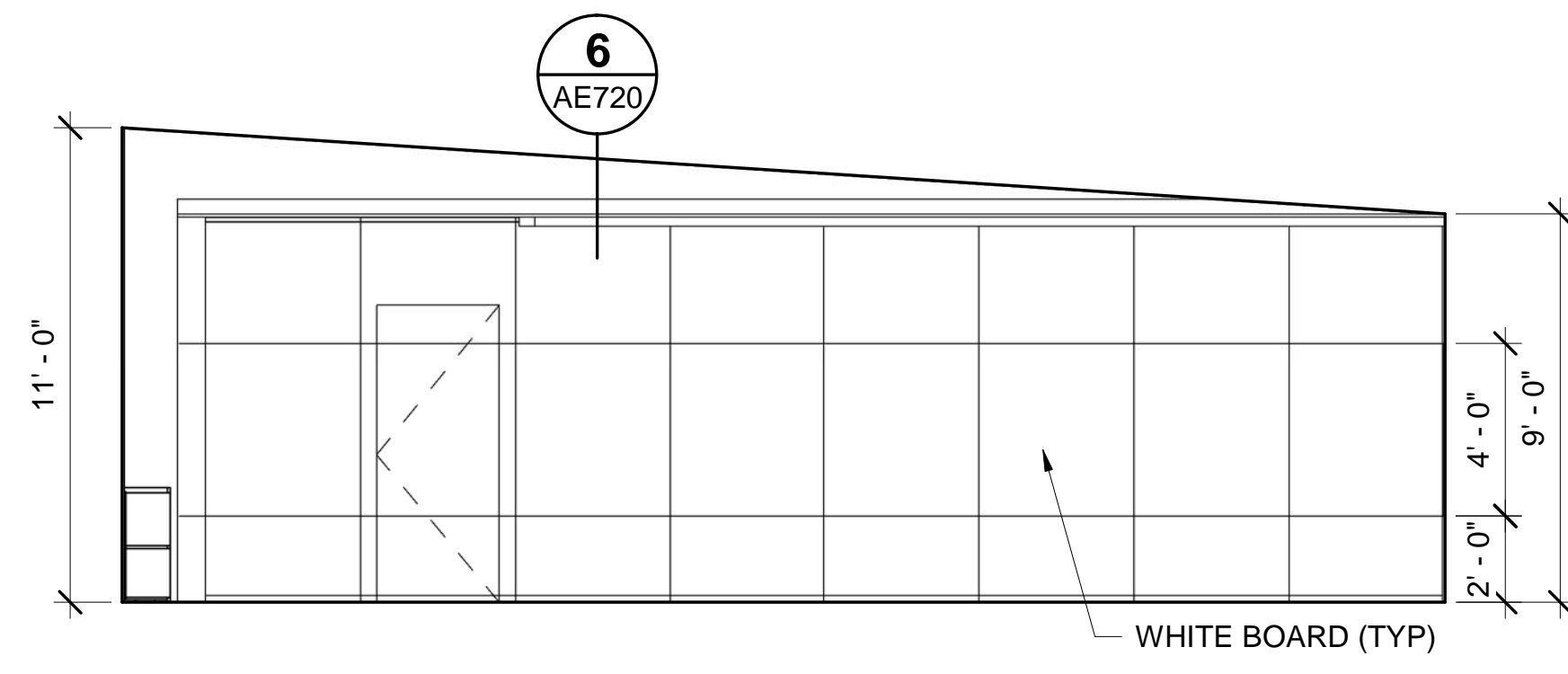
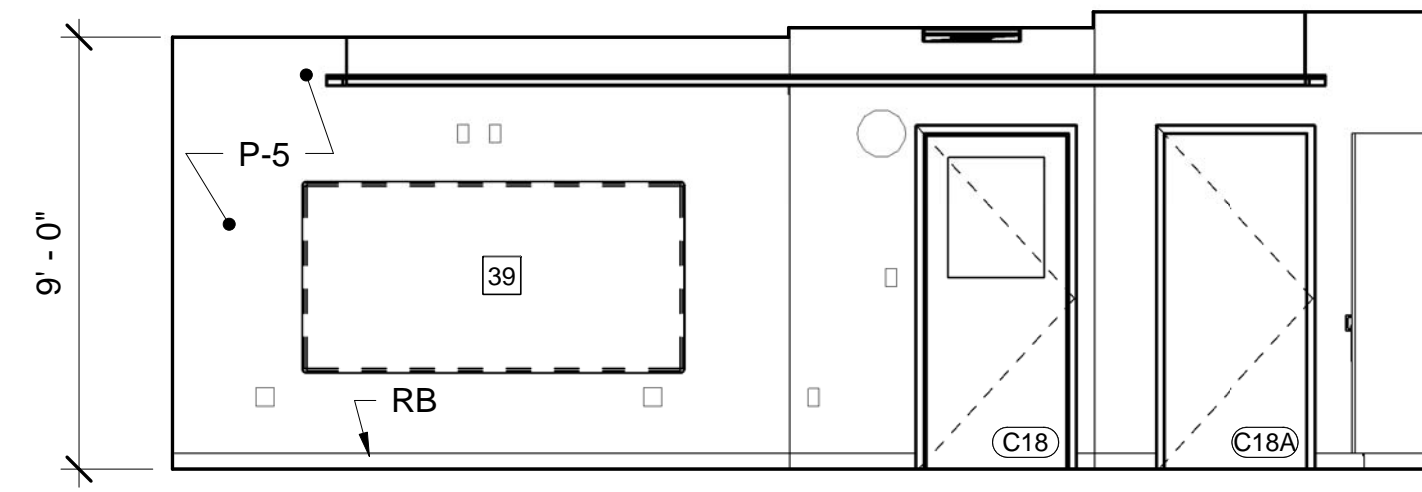


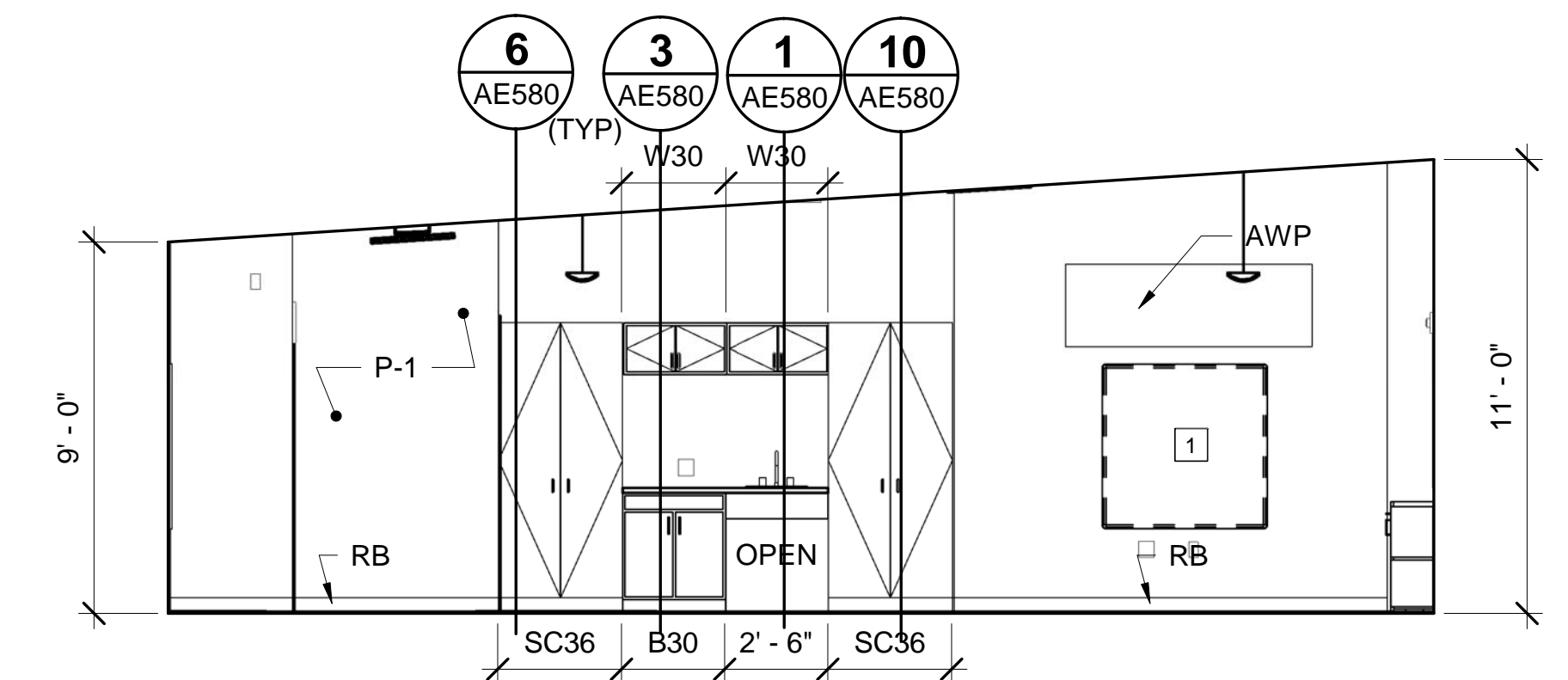
1 2ND GRADE C18 - NORTH ELEV
AE103/AE744 SCALE: 1/4" = 1'-0"



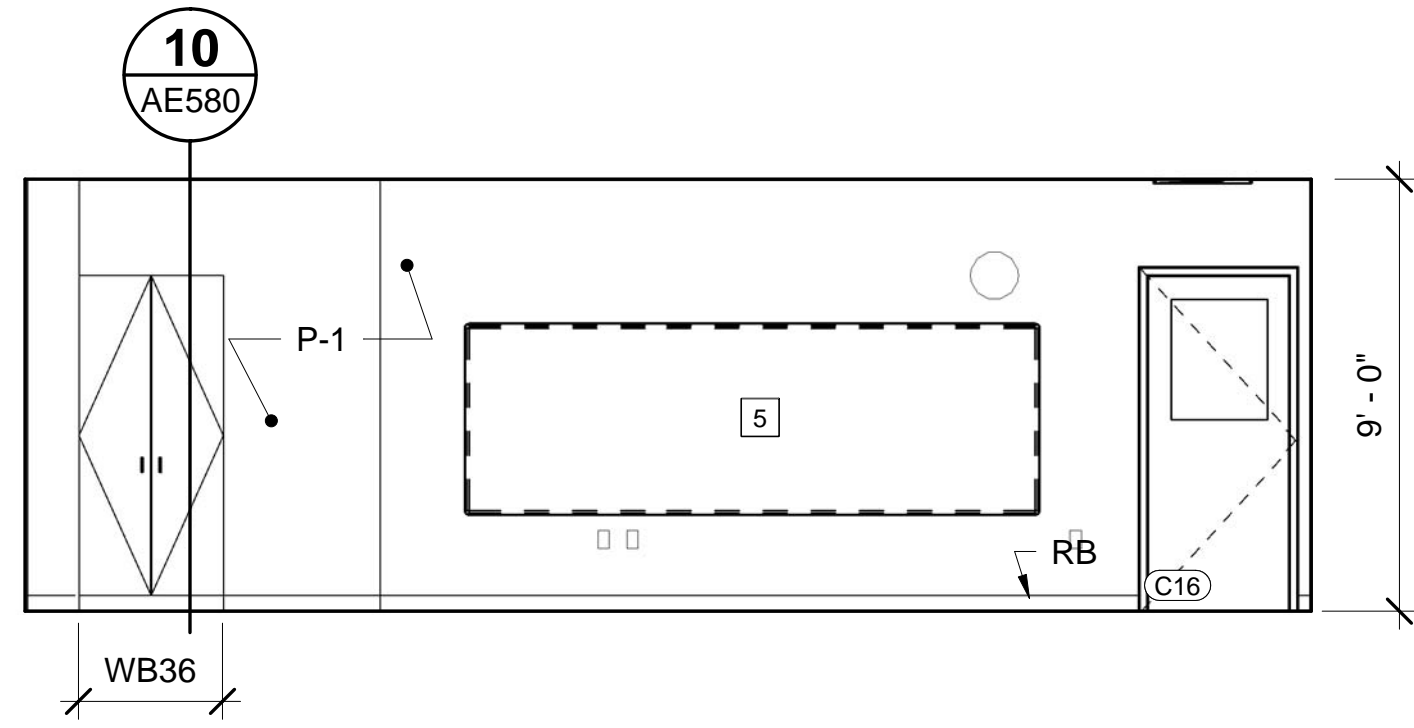
2 2ND GRADE C18 - EAST ELEV
AE103/AE744 SCALE: 1/4" = 1'-0"



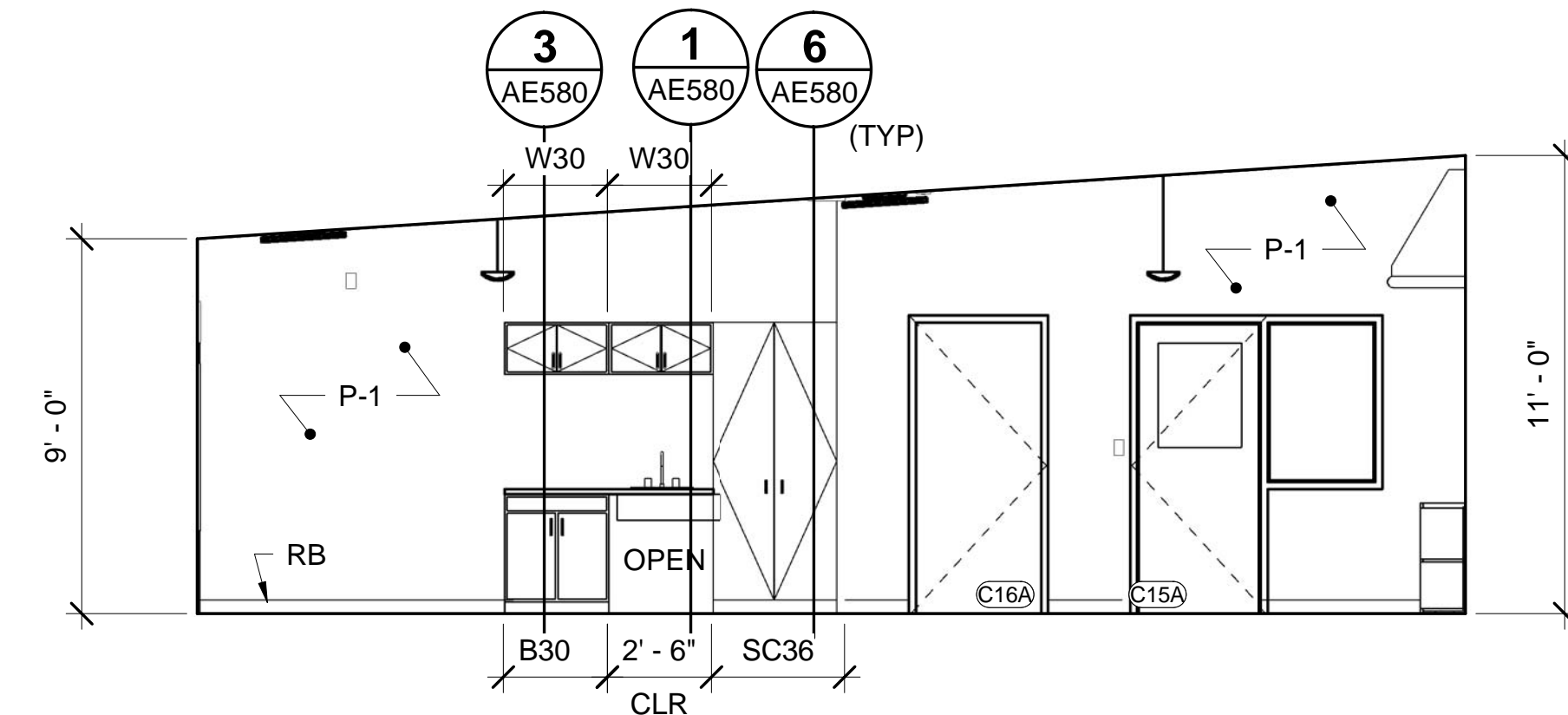
3 2ND GRADE C18 - SOUTH ELEV
AE103/AE744 SCALE: 1/4" = 1'-0"



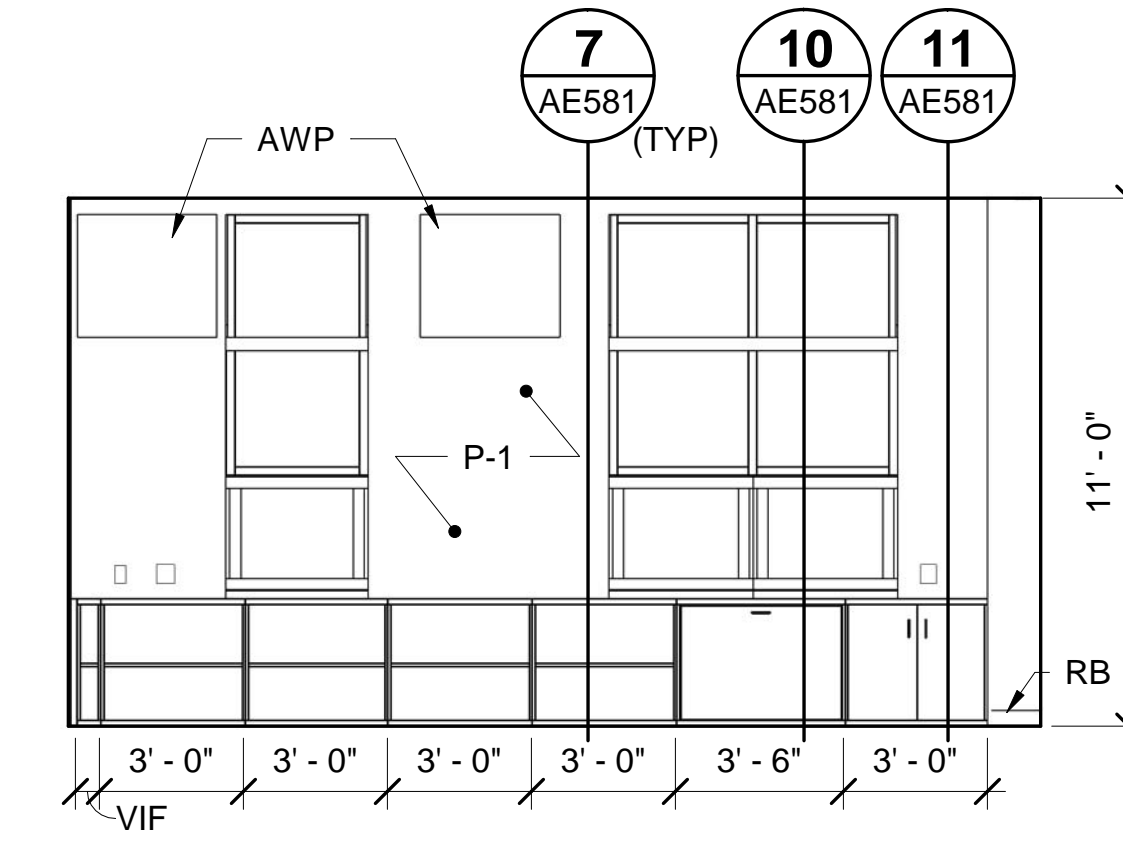
4 2ND GRADE C18 - WEST ELEV
AE103/AE744 SCALE: 1/4" = 1'-0"



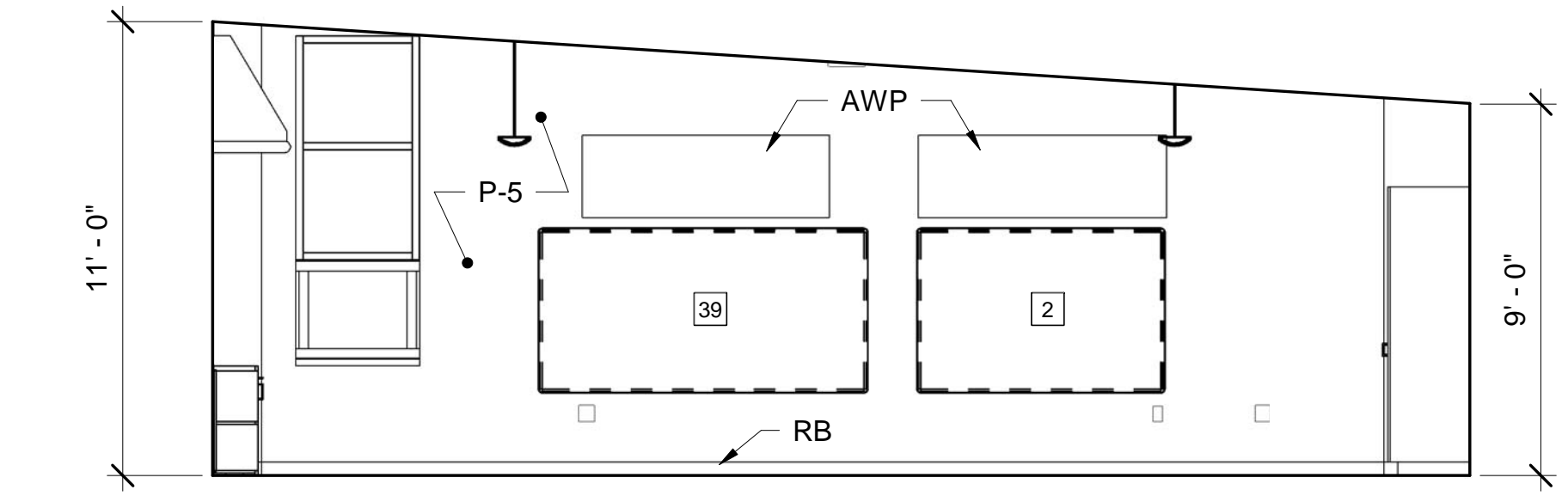
5 2ND GRADE C16 - NORTH ELEV
AE103/AE744 SCALE: 1/4" = 1'-0"



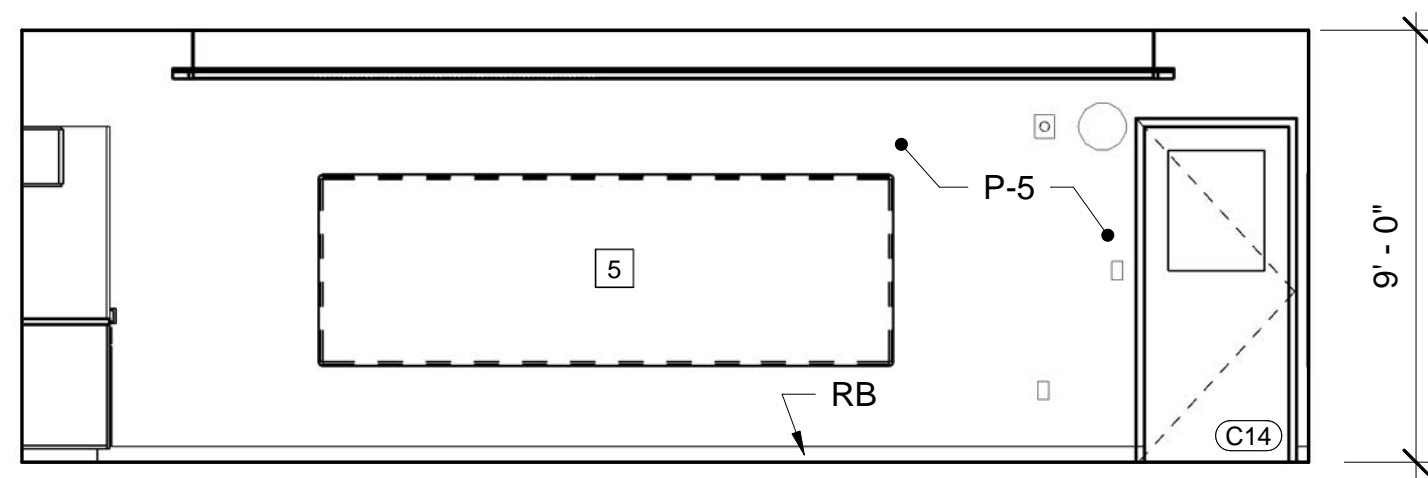
6 2ND GRADE C16 - EAST ELEV
AE103/AE744 SCALE: 1/4" = 1'-0"



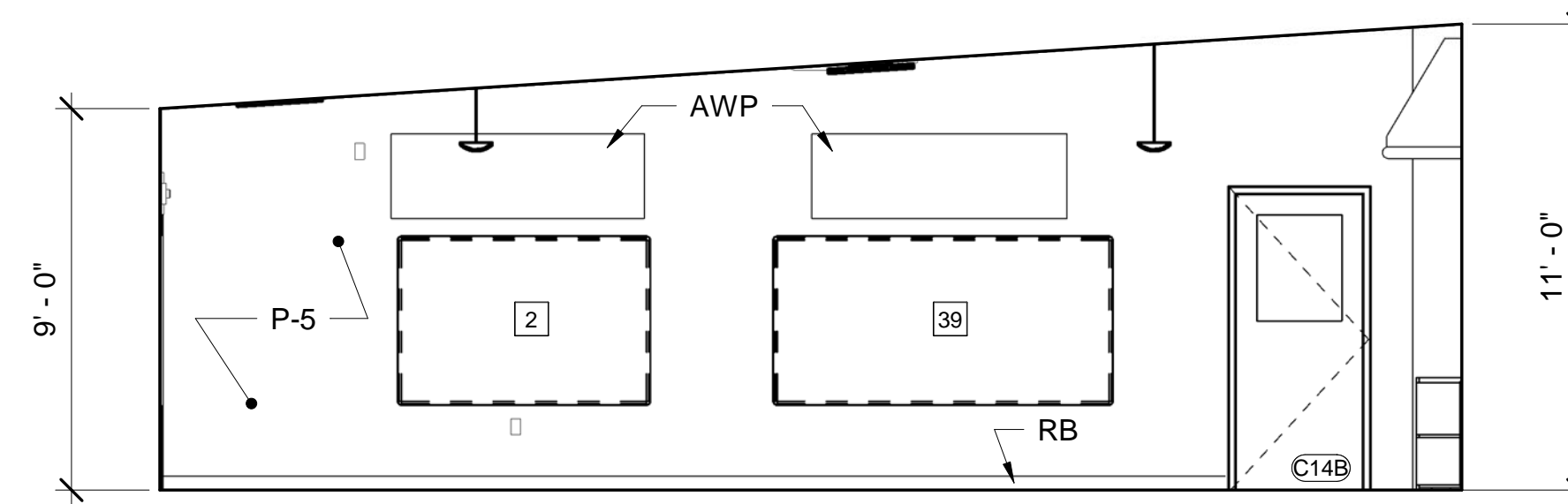
7 2ND GRADE C16 - SOUTH ELEV
AE103/AE744 SCALE: 1/4" = 1'-0"



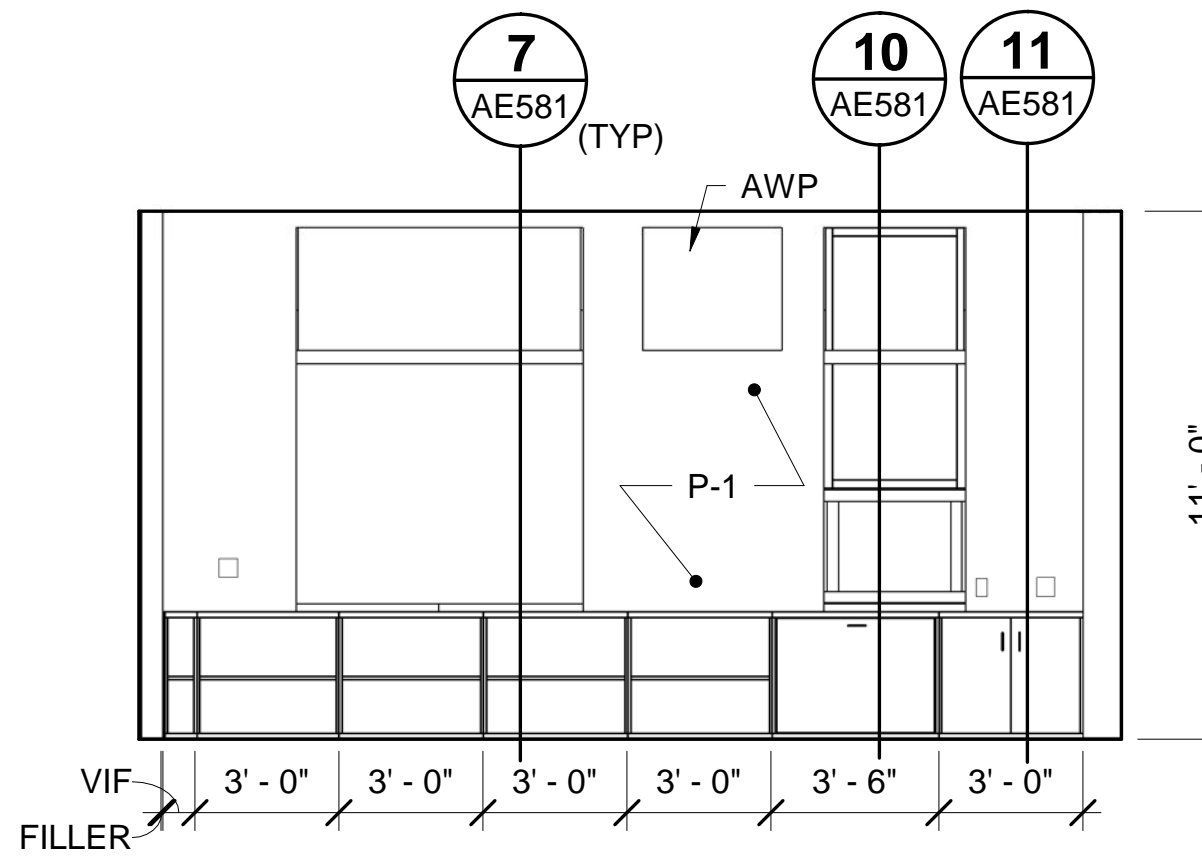
8 2ND GRADE C16 - WEST ELEV
AE103/AE744 SCALE: 1/4" = 1'-0"



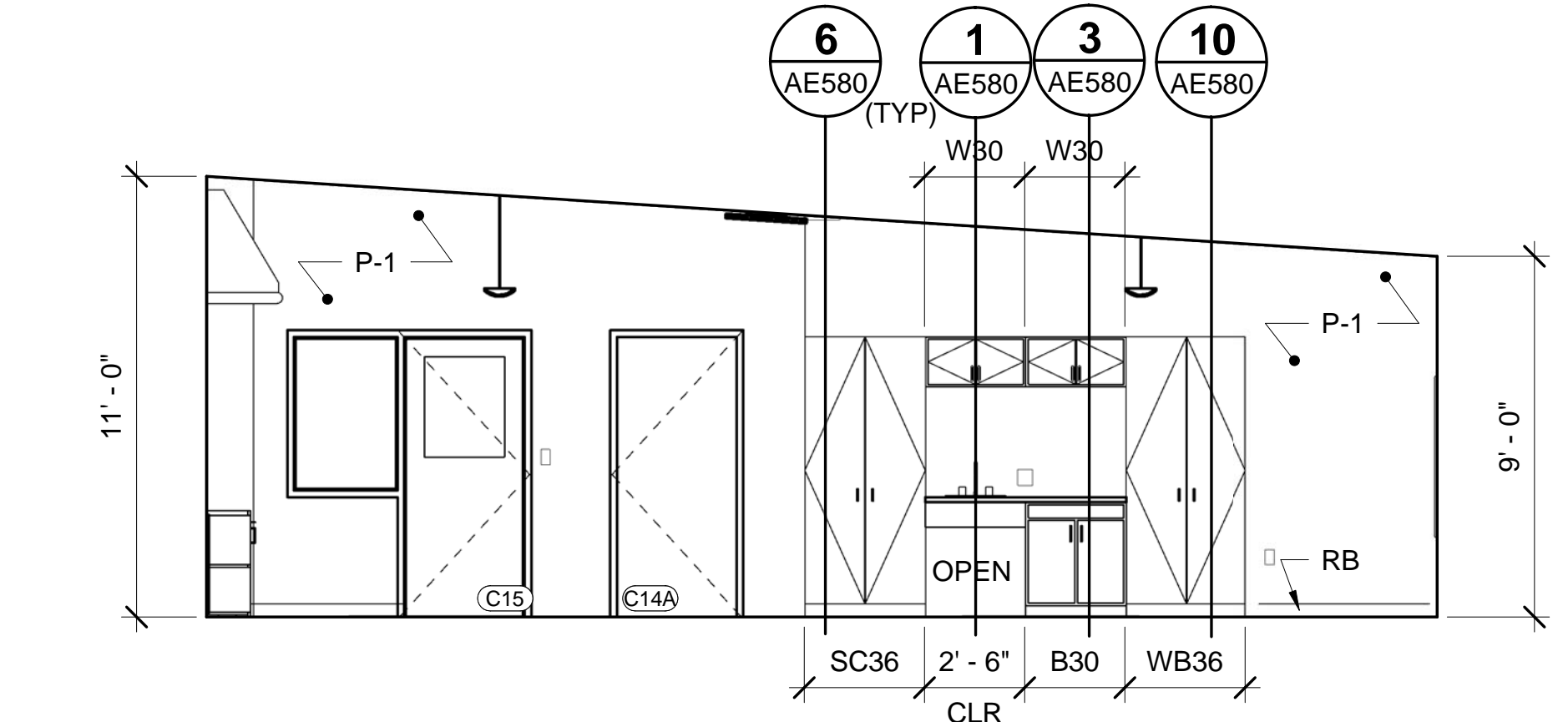
9 2ND GRADE C14 - NORTH ELEV
AE103/AE744 SCALE: 1/4" = 1'-0"



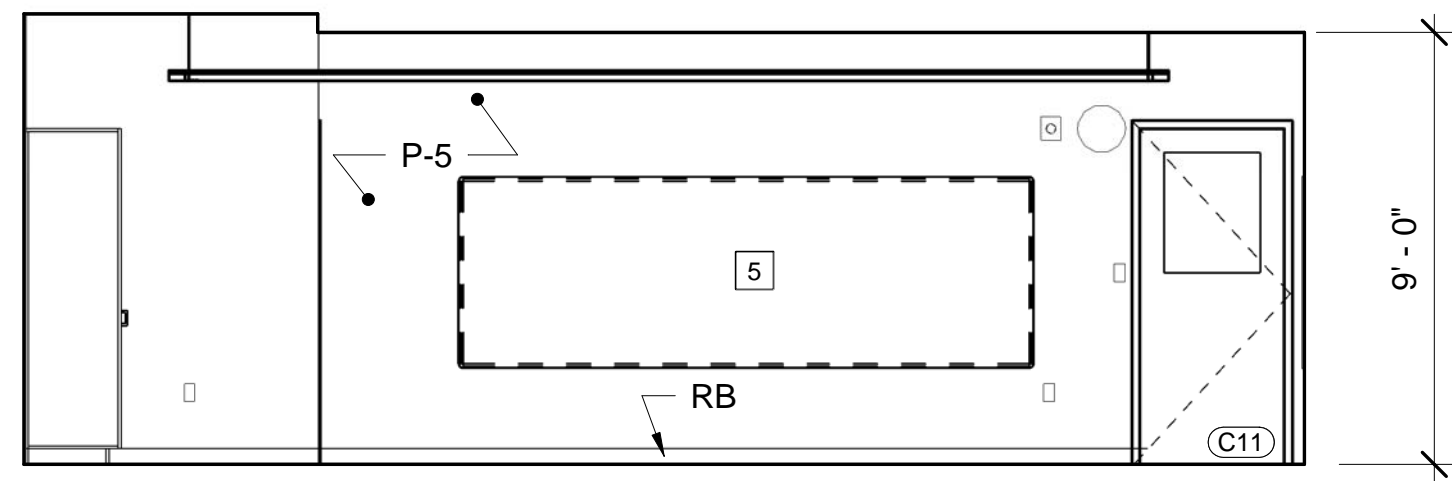
10 2ND GRADE C14 - EAST ELEV
AE103/AE744 SCALE: 1/4" = 1'-0"



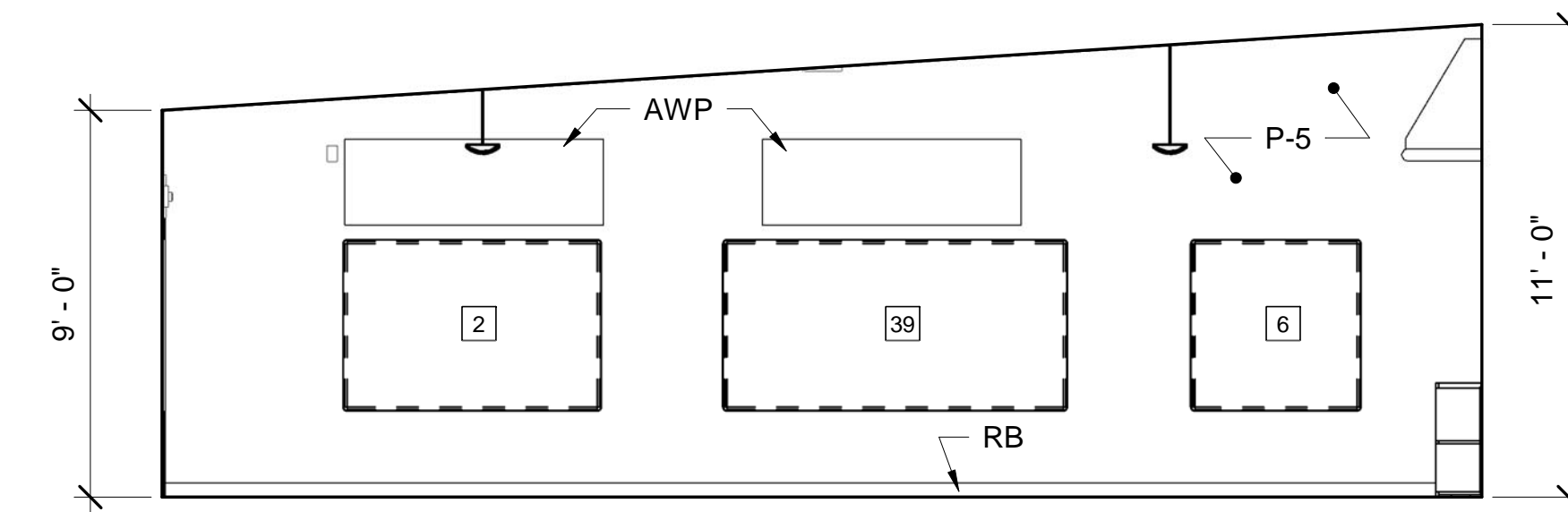
11 2ND GRADE C14 - SOUTH ELEV
AE103/AE744 SCALE: 1/4" = 1'-0"



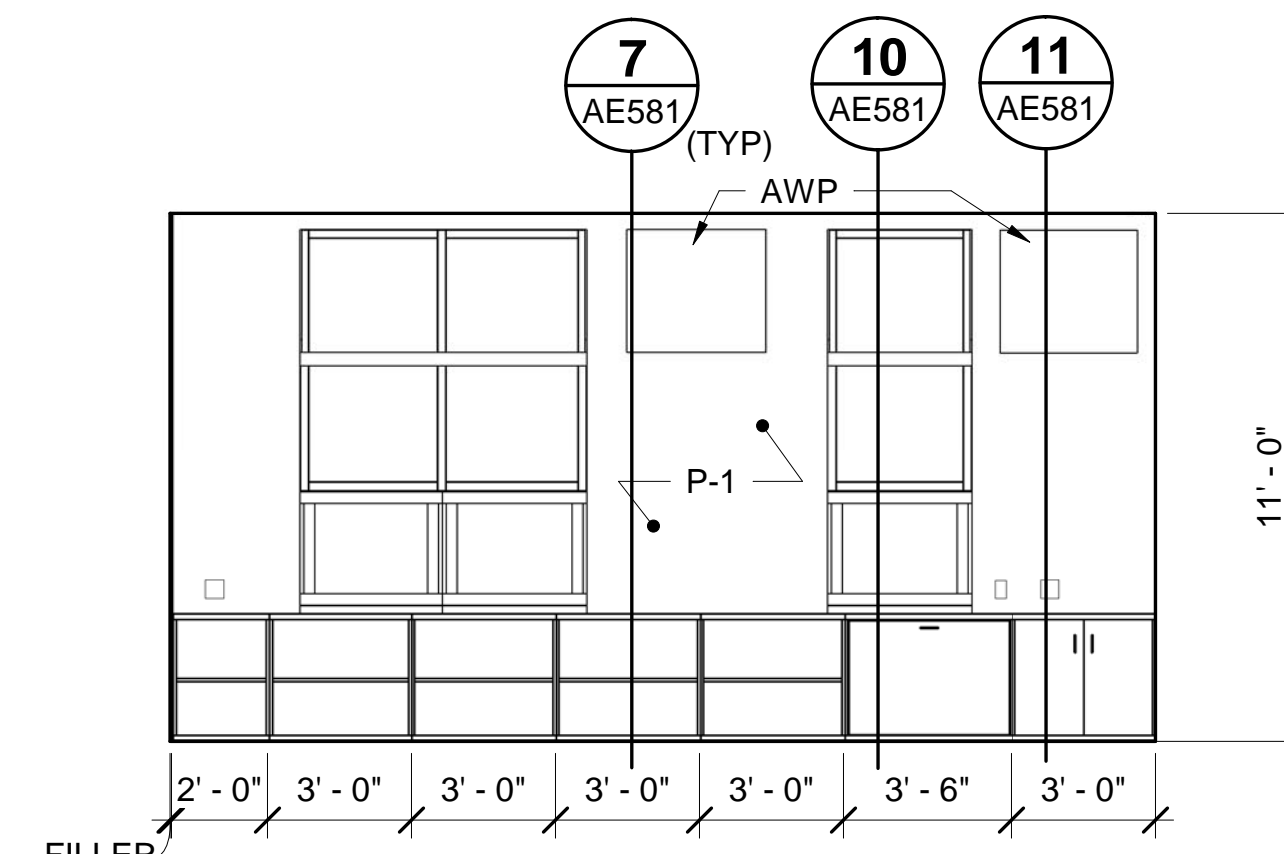
12 2ND GRADE C14 - WEST ELEV
AE103/AE744 SCALE: 1/4" = 1'-0"



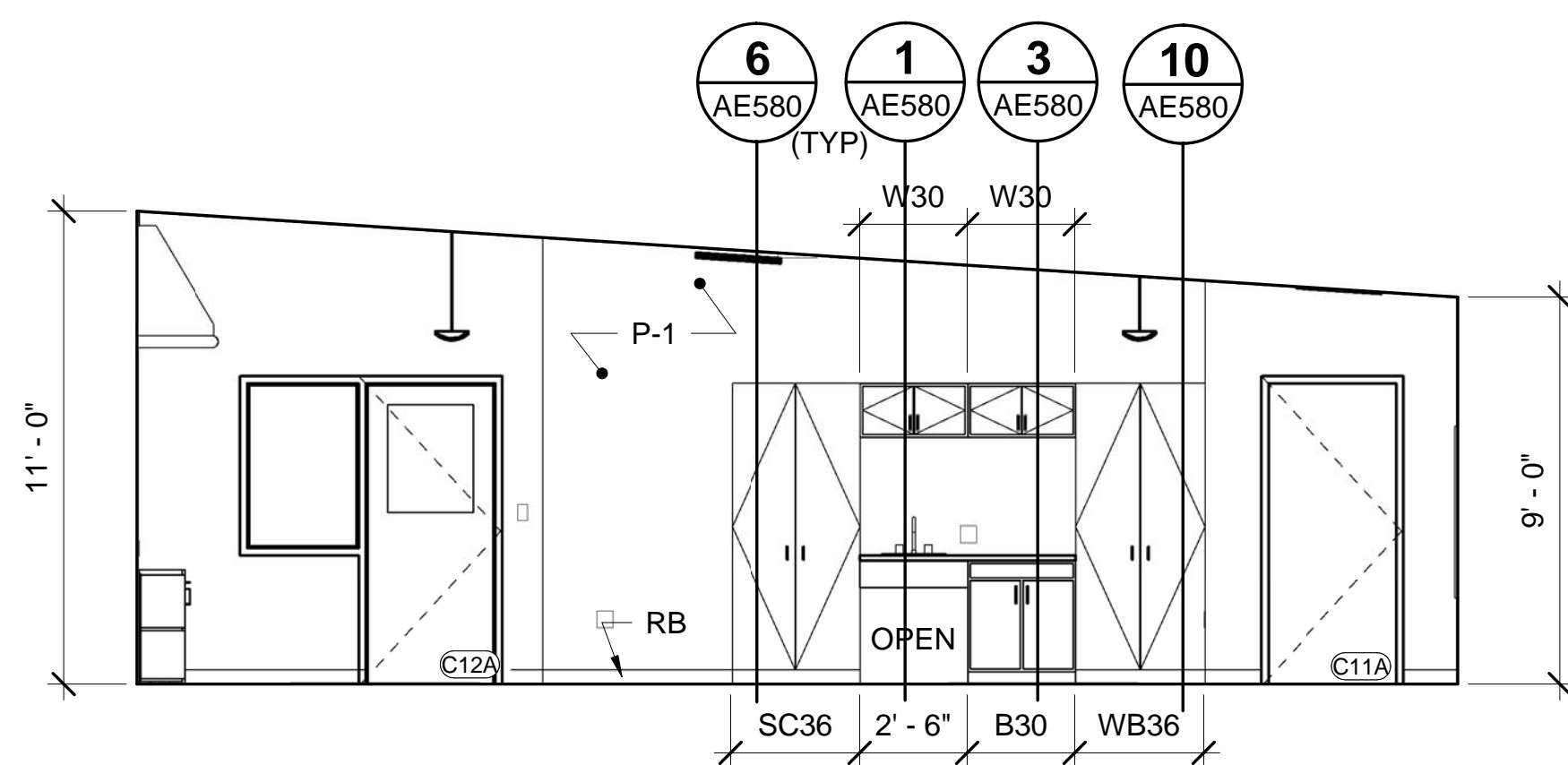
13 1ST GRADE C11 - NORTH ELEV
AE103/AE744 SCALE: 1/4" = 1'-0"



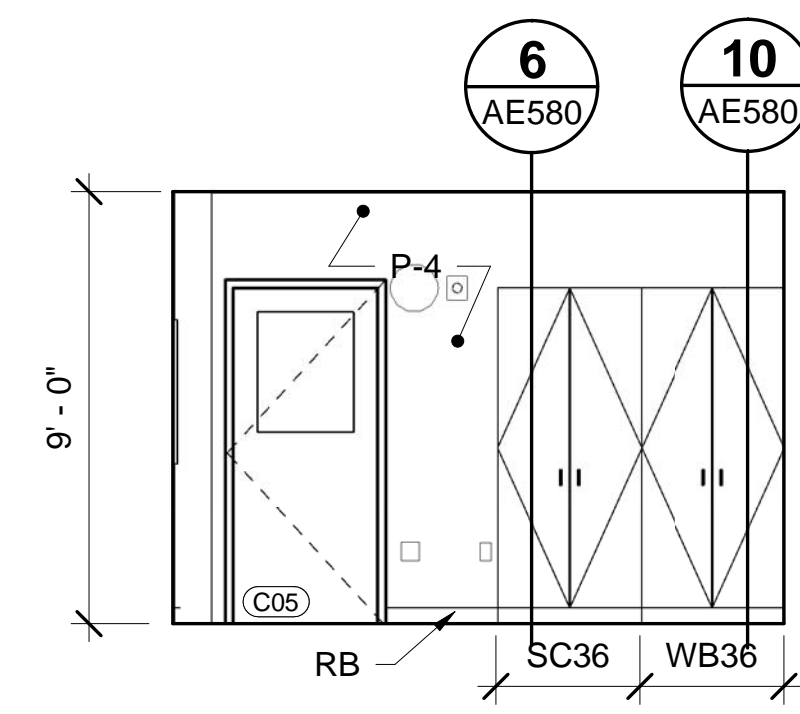
14 1ST GRADE C11 - EAST ELEV
AE103/AE744 SCALE: 1/4" = 1'-0"



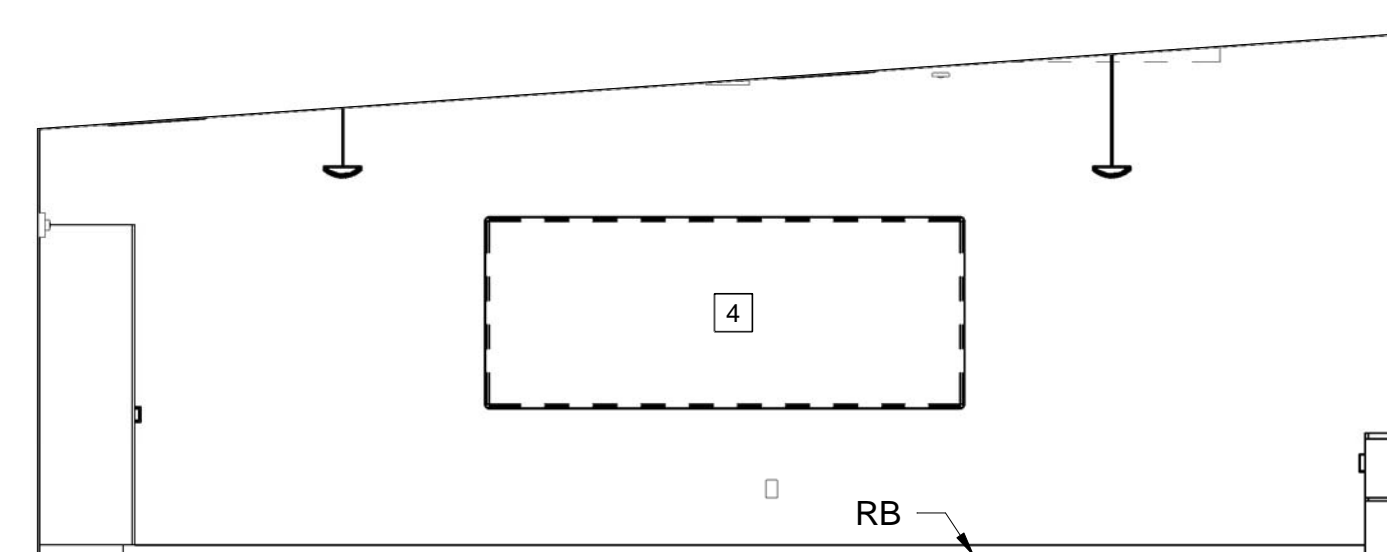
15 1ST GRADE C11 - SOUTH ELEV
AE103/AE744 SCALE: 1/4" = 1'-0"



16 1ST GRADE C11 - WEST ELEV
AE103/AE744 SCALE: 1/4" = 1'-0"

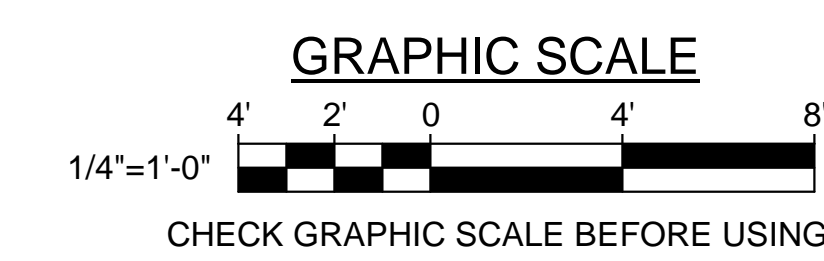


17 SPEECH C05 - WEST ELEV
AE102/AE744 SCALE: 1/4" = 1'-0"



18 SPEECH C05 - NORTH ELEV
AE102/AE744 SCALE: 1/4" = 1'-0"

GENERAL NOTES:
1. SEE SHEET AE004 FOR KEYNOTES.



		STATE OF MAINE PUBLIC SCHOOL PROJECT TITLE: PORTLAND PUBLIC SCHOOLS NEW FRED P. HALL ELEMENTARY SCHOOL LOCATION: 23 ORONO ROAD, PORTLAND, ME TITLE THIS DWG: INTERIOR ELEVATIONS	
DRAWN BY: JGB CHECK BY: TGB		OAK POINT ASSOCIATES AE744 SHEET NO. 204 OF 312	
NO. DATE	DESCRIPTION	BY	NO.
	REVISIONS	DATE	03/17/17