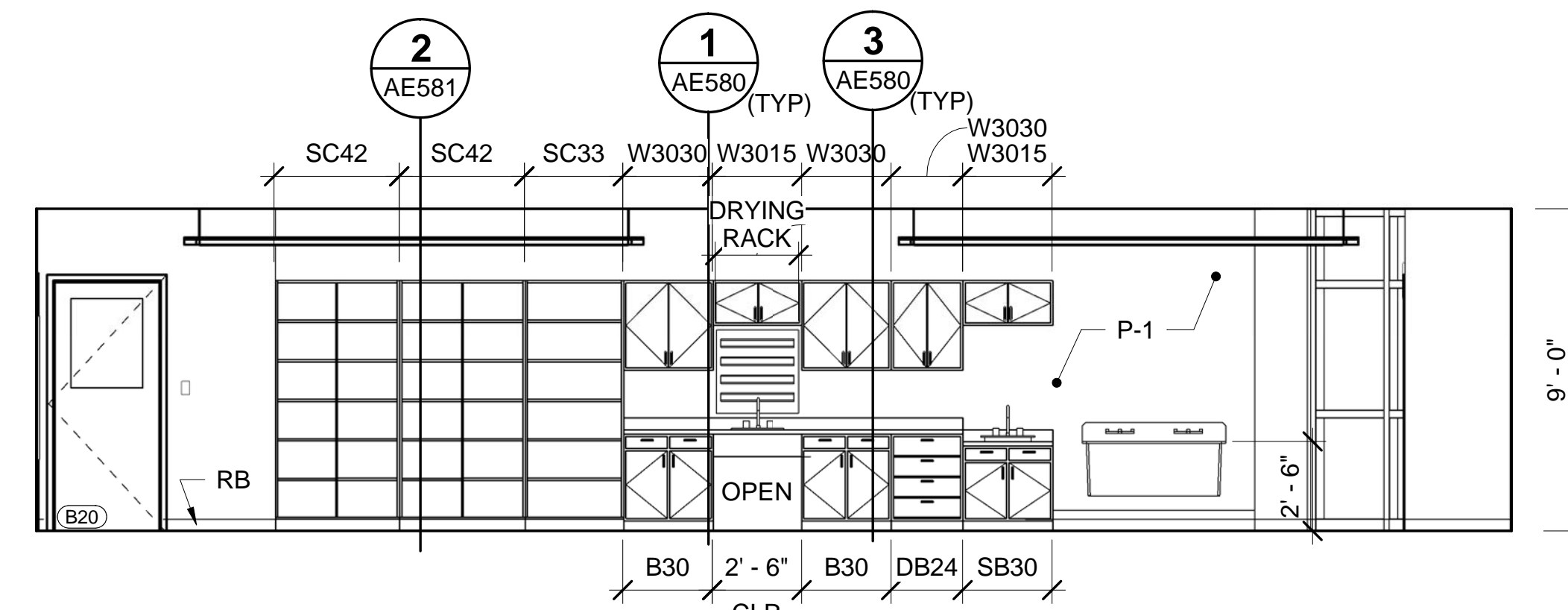
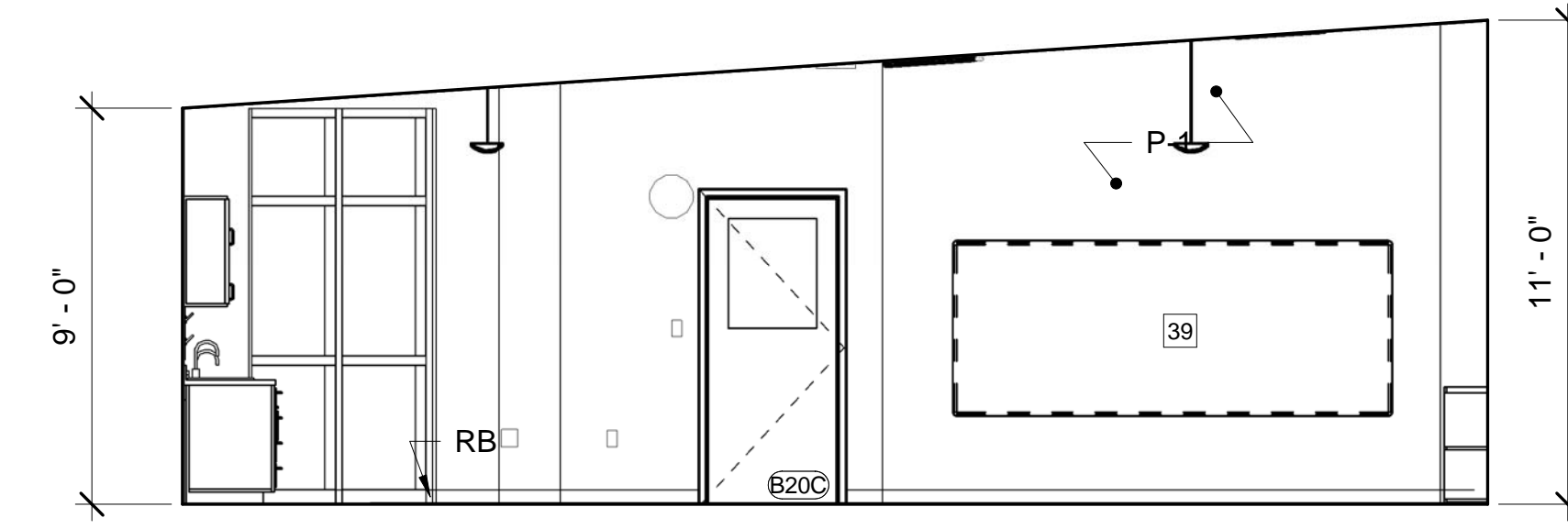


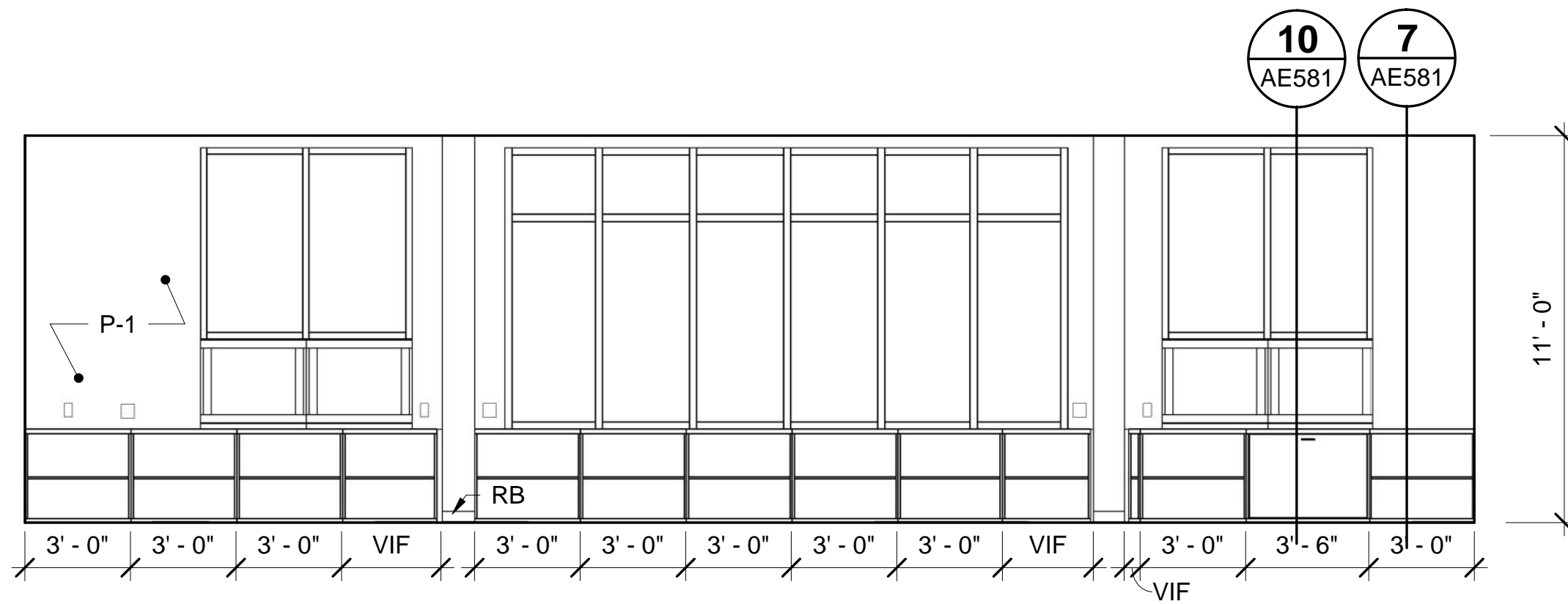
**1 ART ROOM B20 - NORTH ELEV**  
AE102/AE743 SCALE: 1/4" = 1'-0"



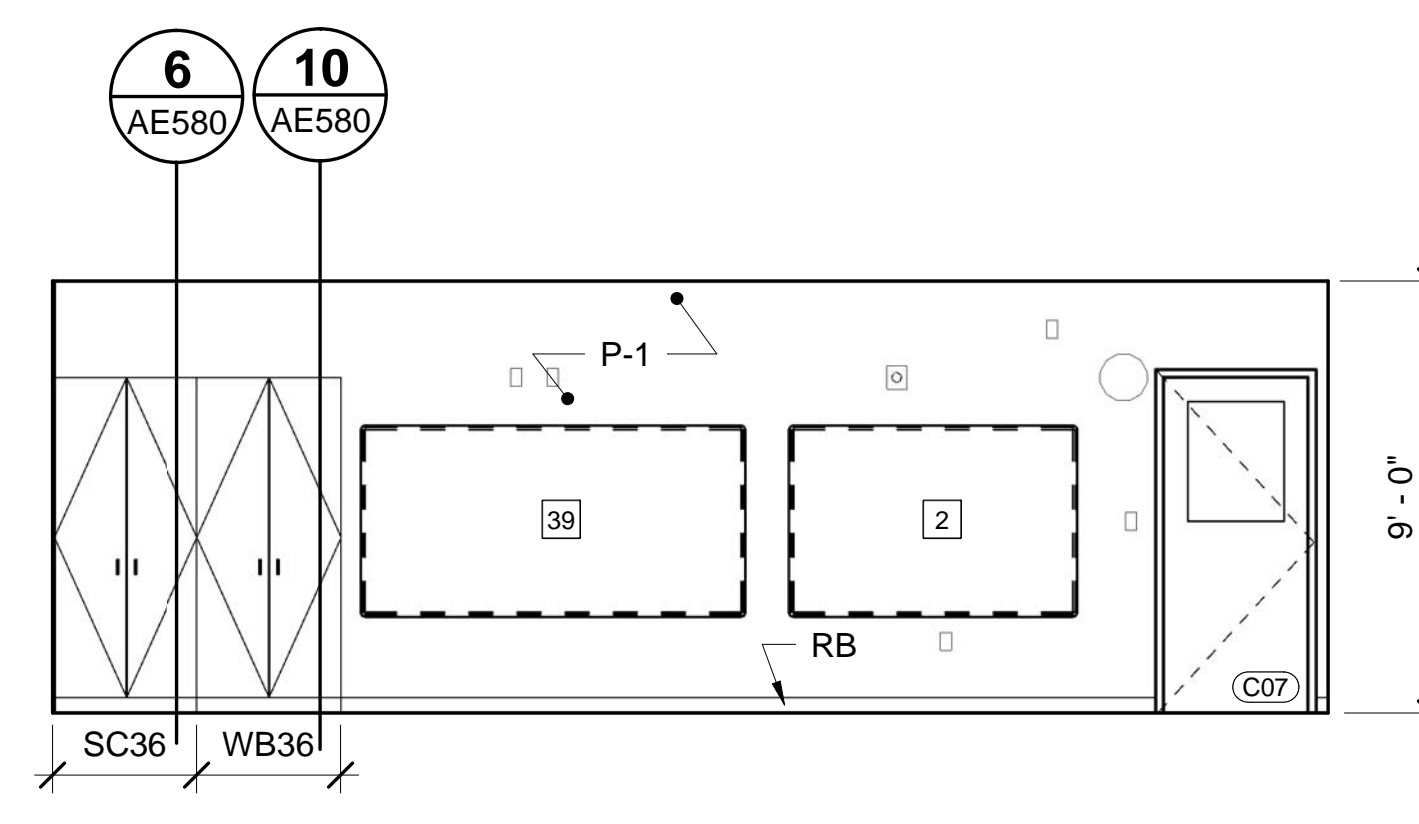
**2 ART ROOM B20 - EAST ELEV**  
AE102/AE743 SCALE: 1/4" = 1'-0"



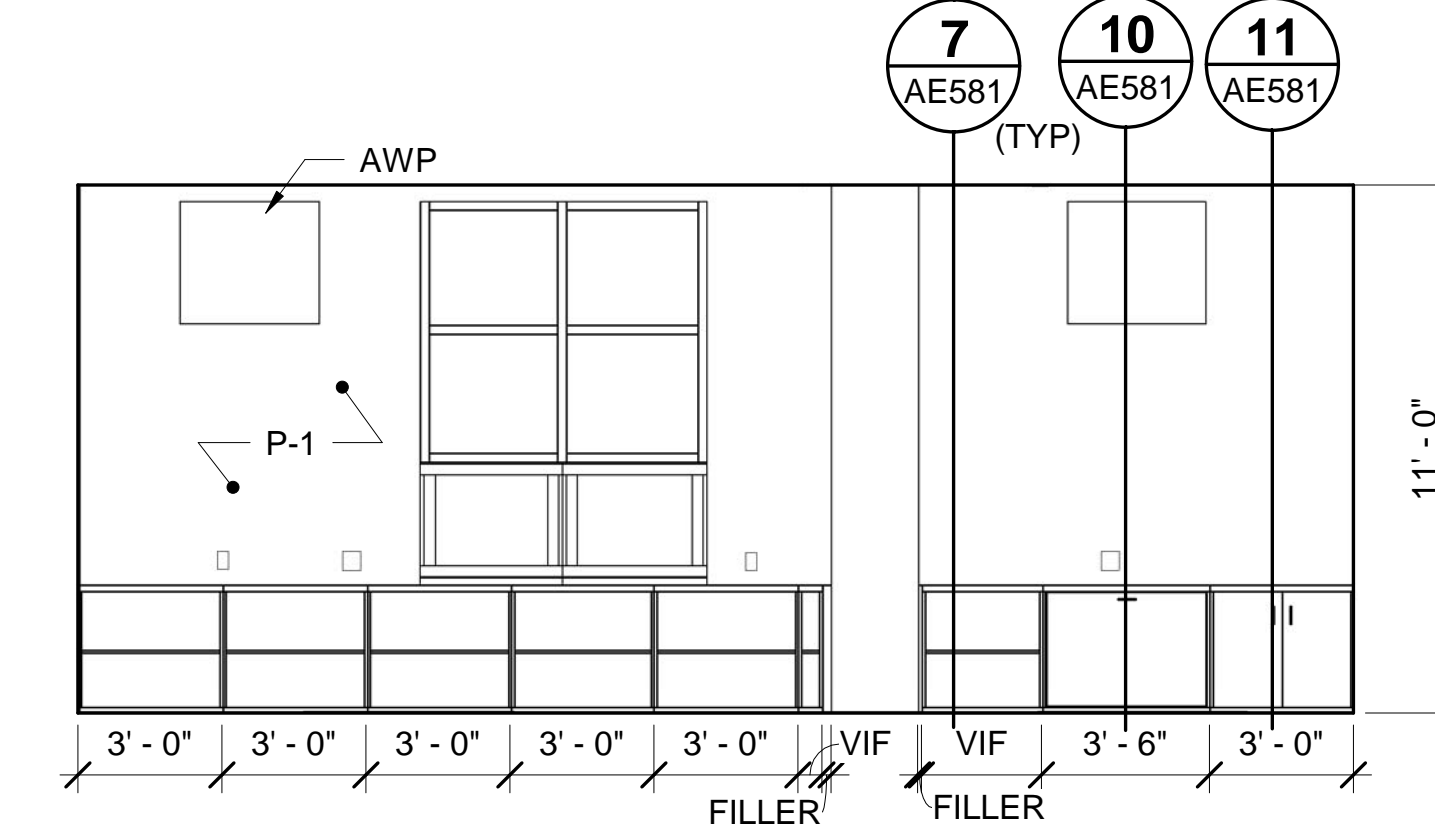
**3 ART ROOM B20 - SOUTH ELEV**  
AE102/AE743 SCALE: 1/4" = 1'-0"



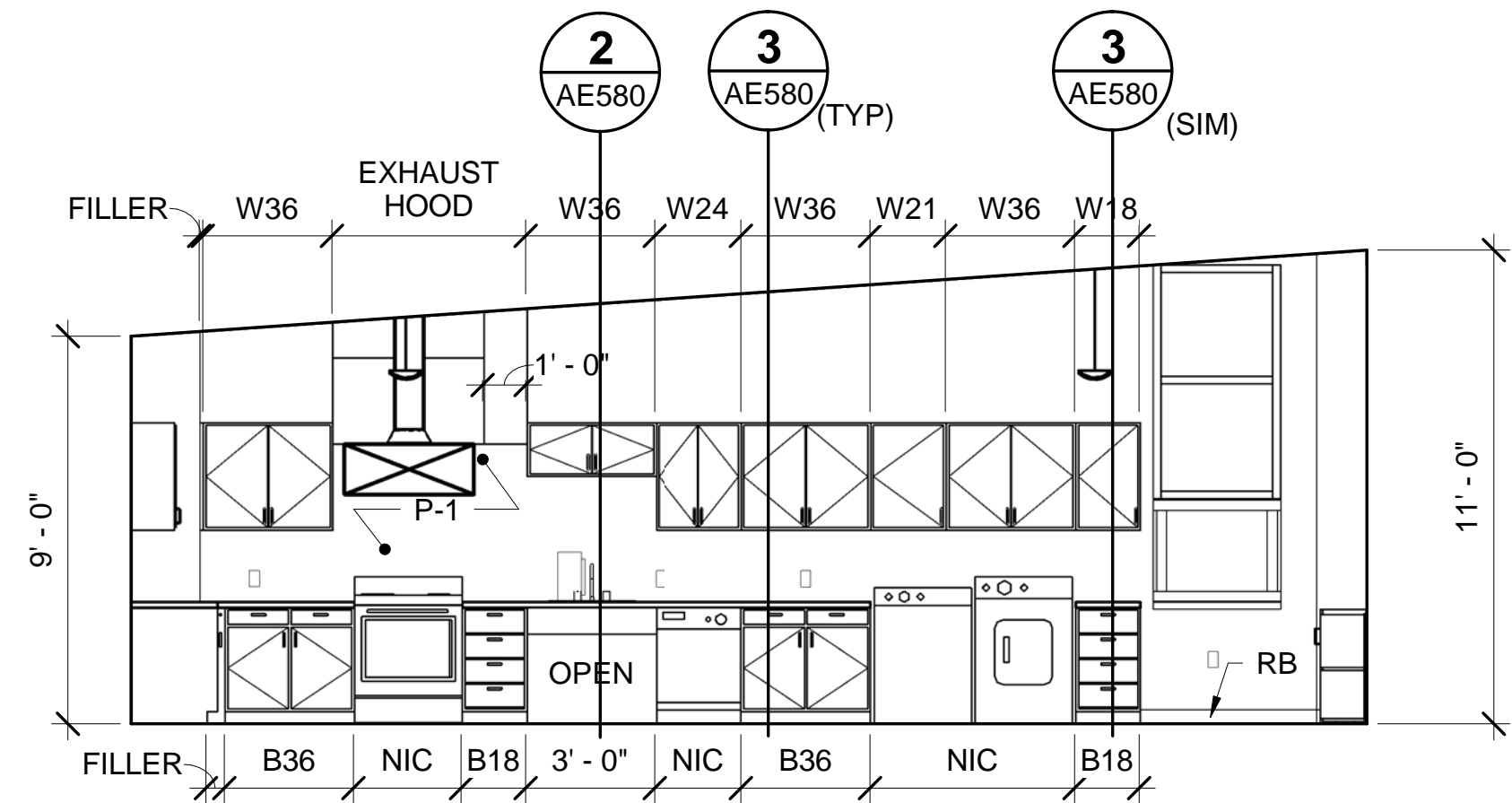
**4 ART ROOM B20 - WEST ELEV**  
AE102/AE743 SCALE: 1/4" = 1'-0"



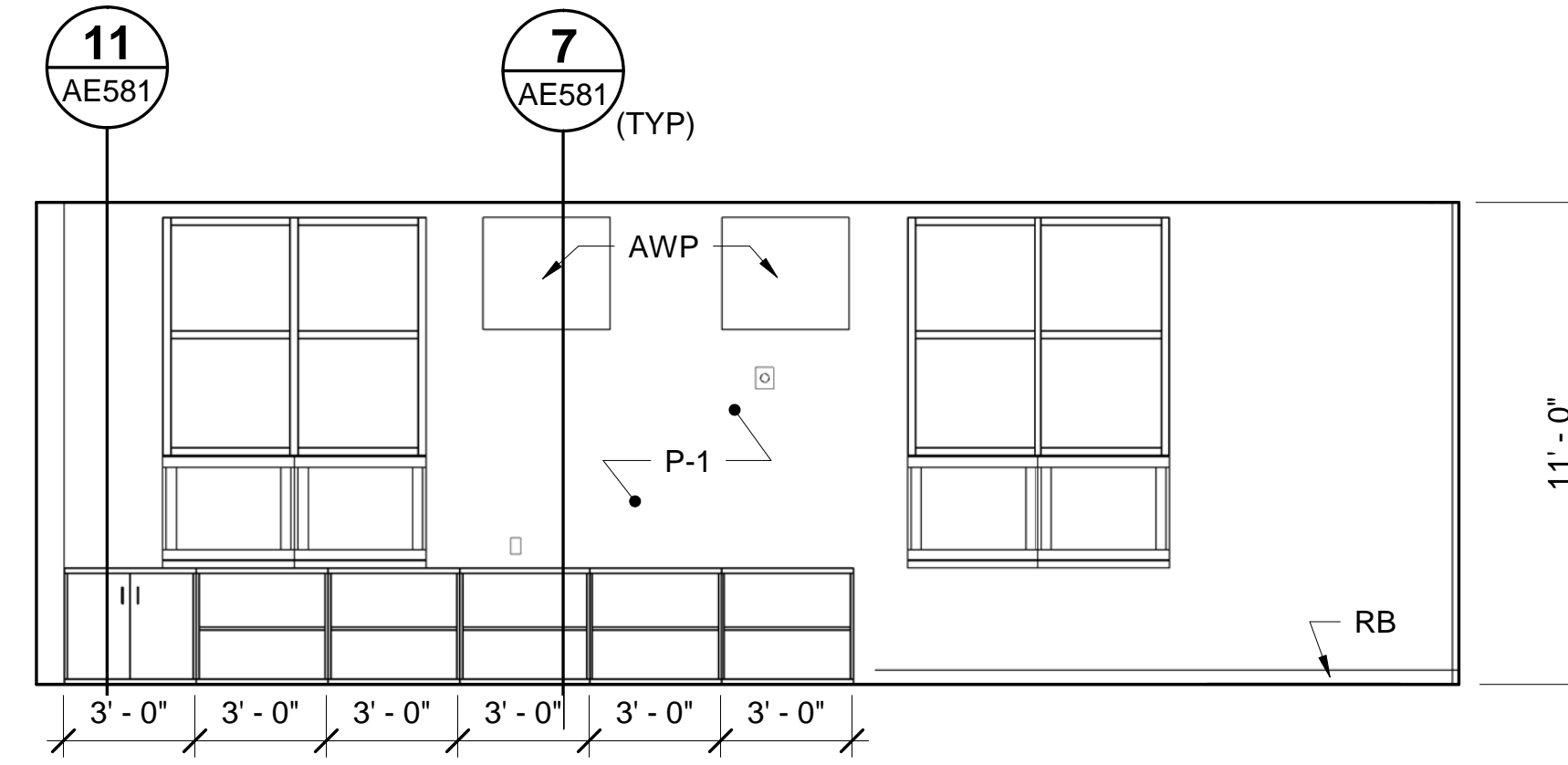
**5 SPANISH C07 - EAST ELEV**  
AE102/AE743 SCALE: 1/4" = 1'-0"



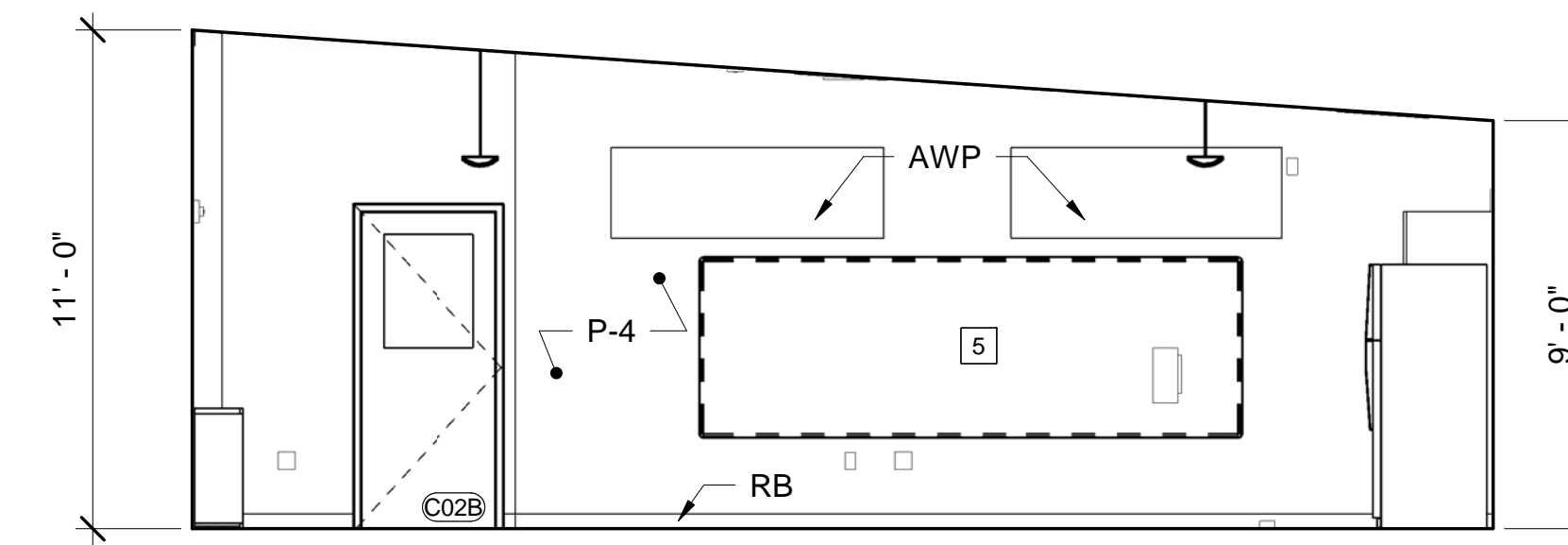
**6 SPANISH C07 - WEST ELEV**  
AE102/AE743 SCALE: 1/4" = 1'-0"



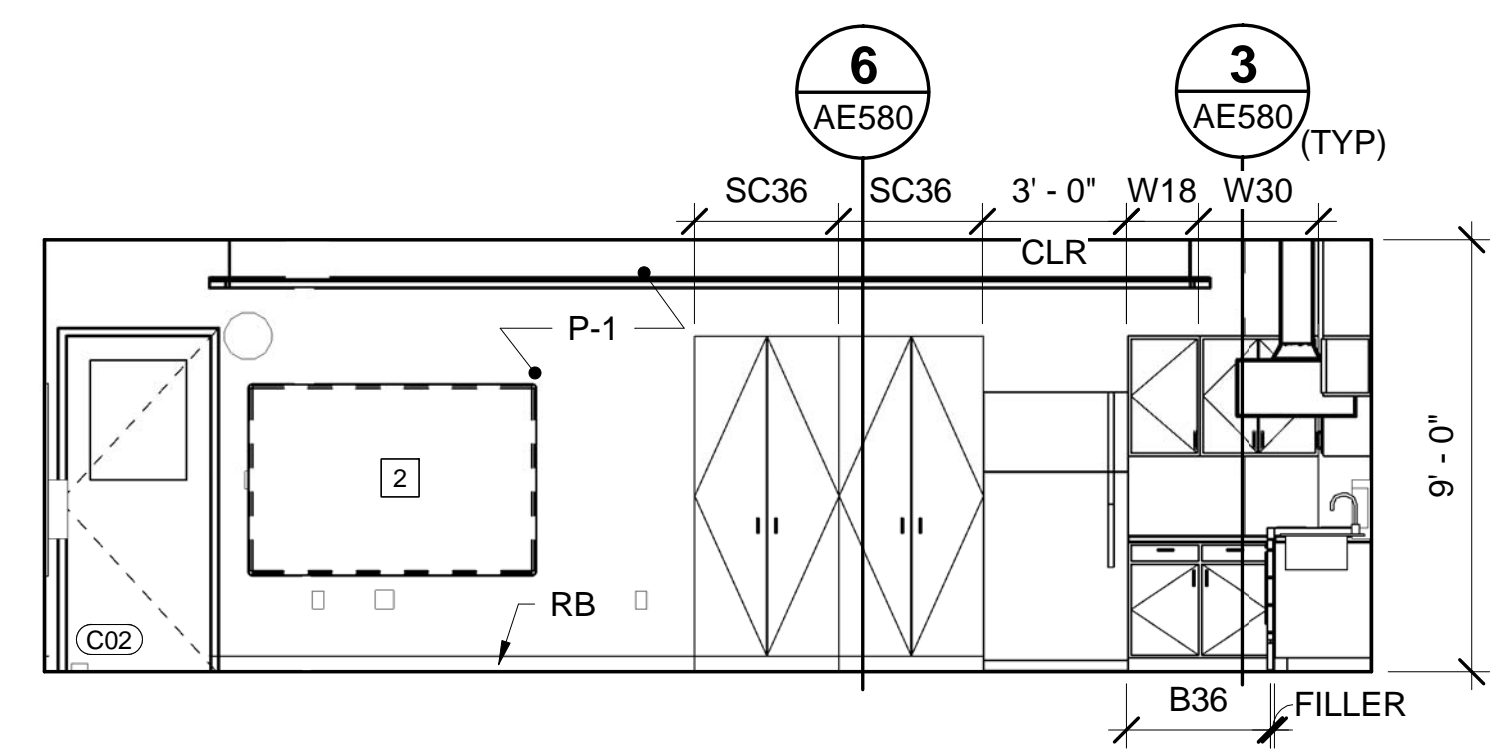
**7 3-5 FLS C02 - NORTH ELEV**  
AE103/AE743 SCALE: 1/4" = 1'-0"



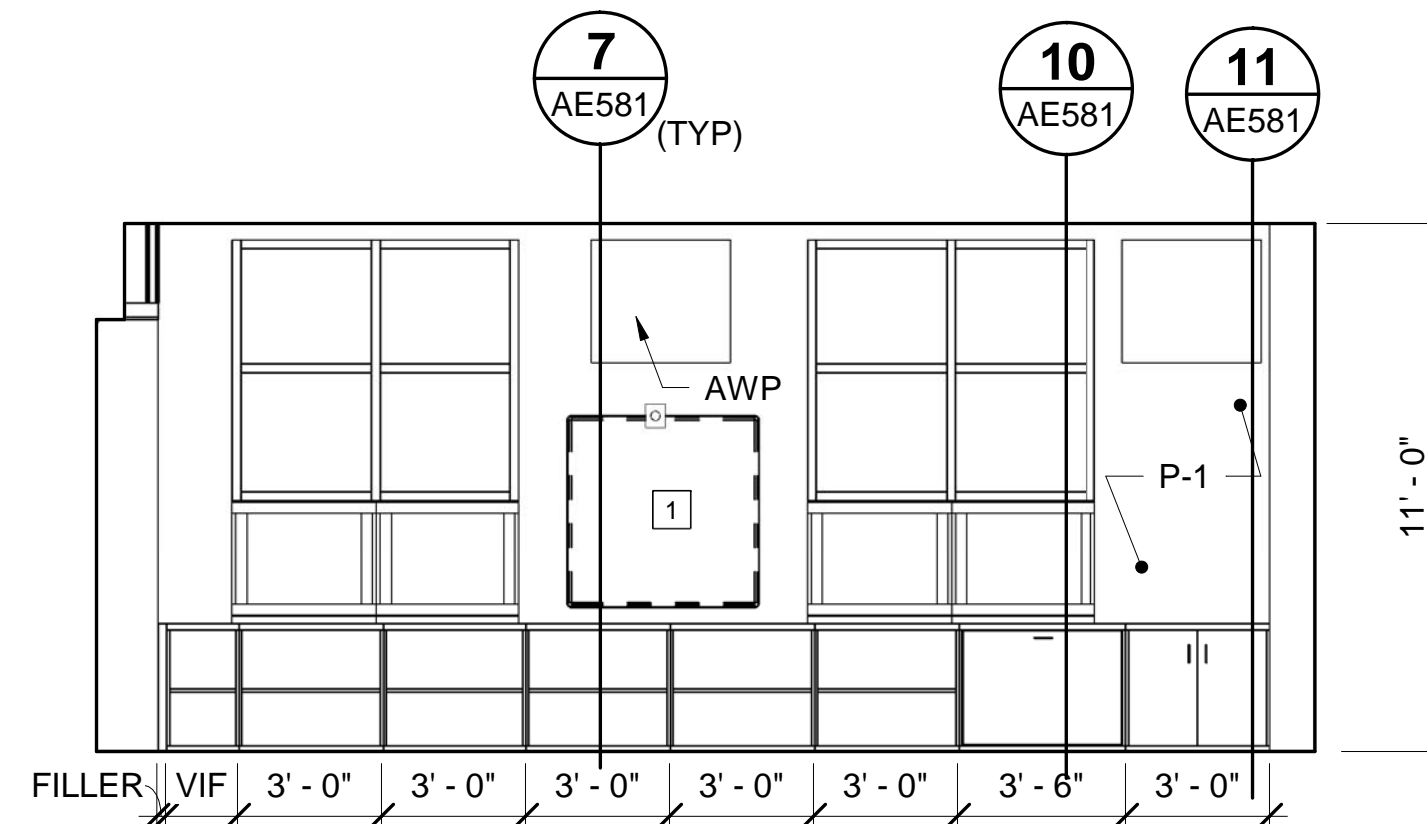
**8 3-5 FLS C02 - EAST ELEV**  
AE103/AE743 SCALE: 1/4" = 1'-0"



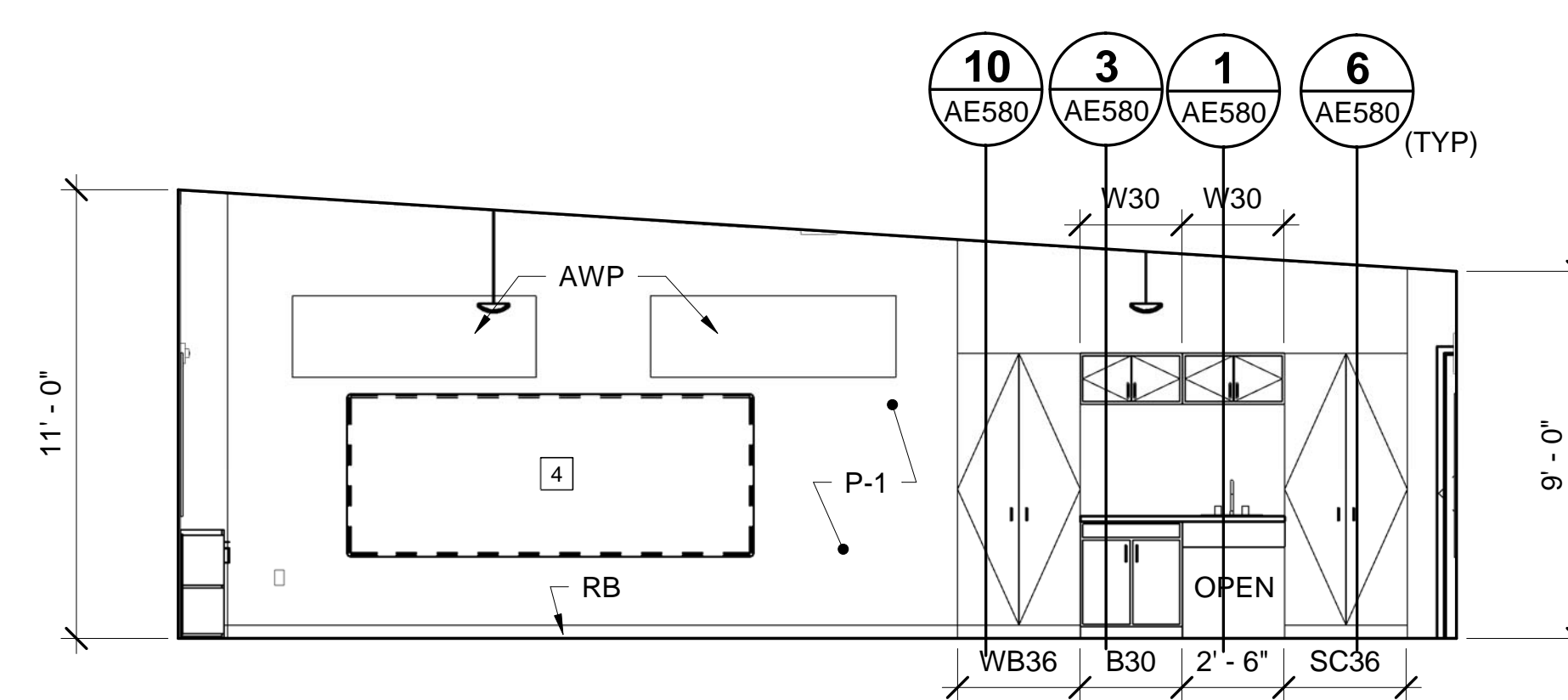
**9 3-5 FLS C02 - SOUTH ELEV**  
AE103/AE743 SCALE: 1/4" = 1'-0"



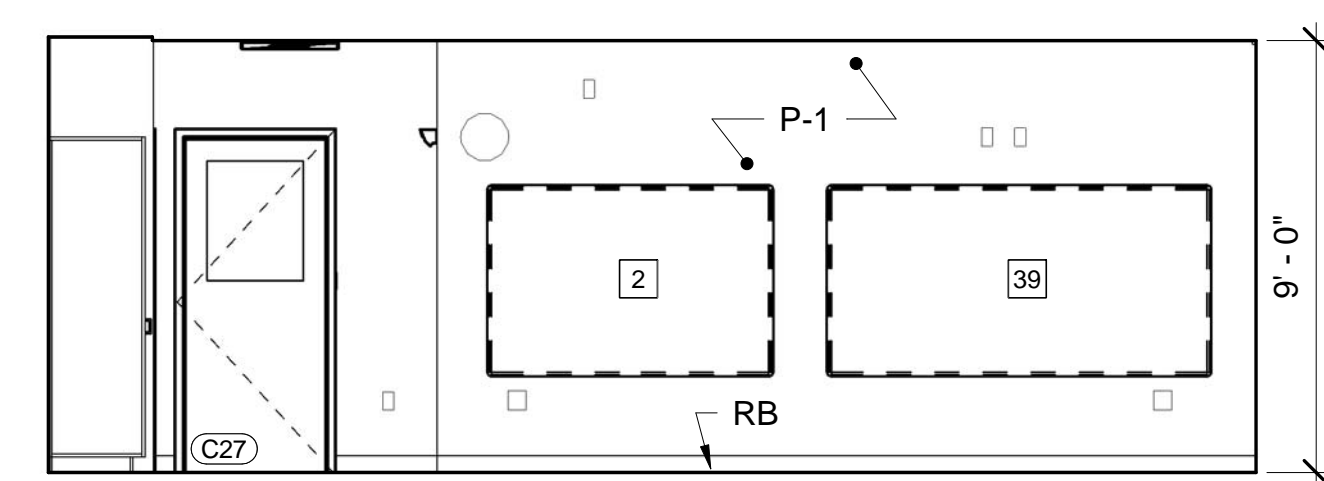
**10 3-5 FLS C02 - WEST ELEV**  
AE001/AE743 SCALE: 1/4" = 1'-0"



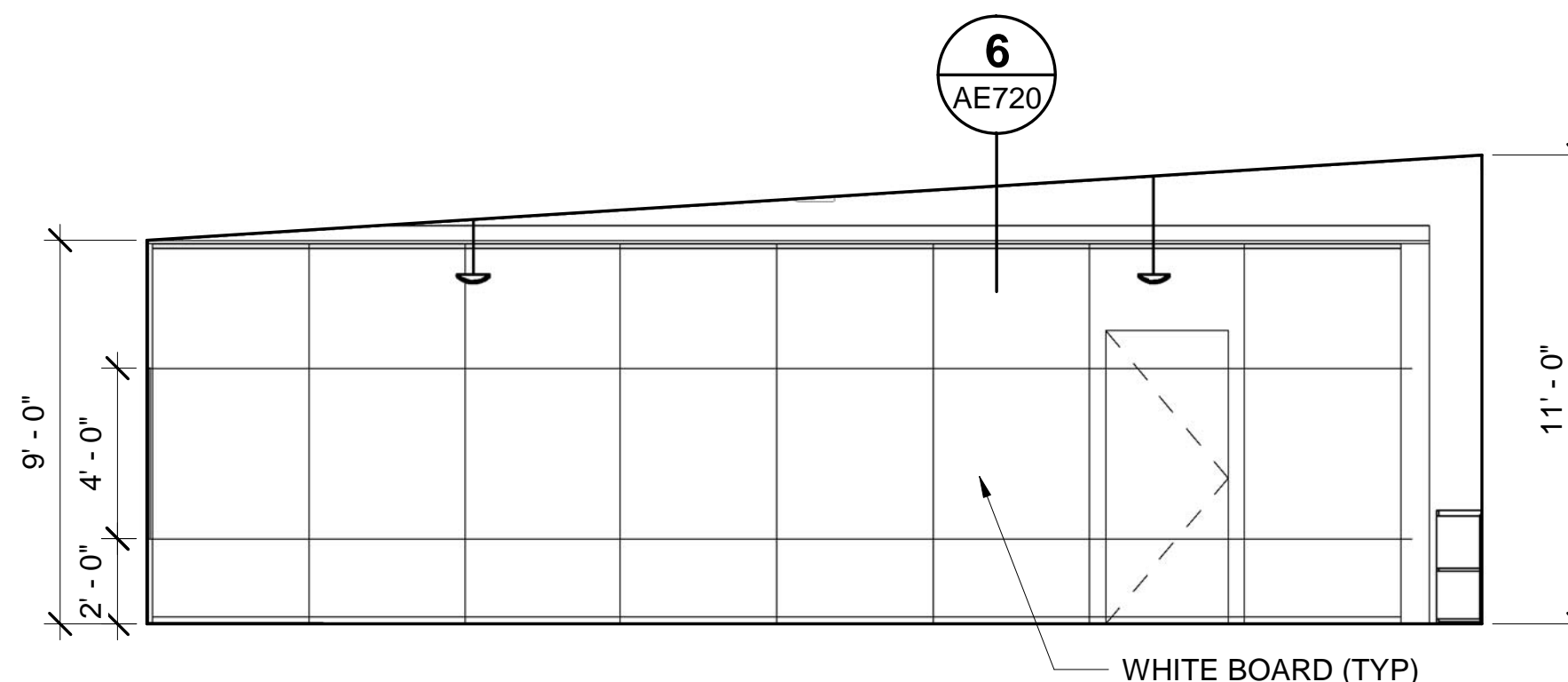
**11 1ST GRADE C27 - NORTH ELEV**  
AE103/AE743 SCALE: 1/4" = 1'-0"



**12 1ST GRADE C27 - EAST ELEV**  
AE103/AE743 SCALE: 1/4" = 1'-0"

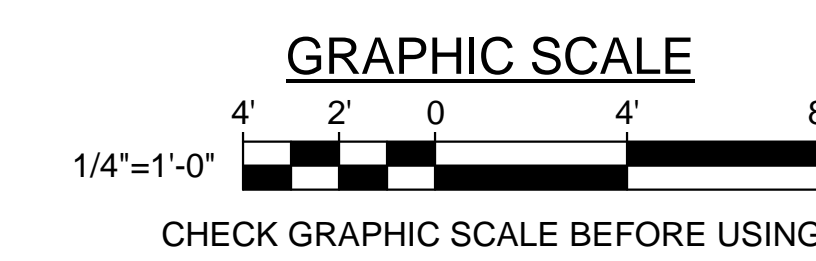


**13 1ST GRADE C27 - SOUTH ELEV**  
AE103/AE743 SCALE: 1/4" = 1'-0"



**14 1ST GRADE C27 - WEST ELEV**  
AE103/AE743 SCALE: 1/4" = 1'-0"

**GENERAL NOTES:**  
1. SEE SHEET AE004 FOR KEYNOTES.



		<p><b>STATE OF MAINE</b> <b>PUBLIC SCHOOL PROJECT</b> TITLE: PORTLAND PUBLIC SCHOOLS NEW FRED P. HALL ELEMENTARY SCHOOL LOCATION: 23 ORONO ROAD, PORTLAND, ME TITLE THIS DWG: INTERIOR ELEVATIONS</p>
<p>DRAWN BY: JGB CHECK BY: TGB</p>	<p>DATE: 03/17/17</p>	<p><b>OAK POINT ASSOCIATES</b> AE743</p>
<p>NO. DATE DESCRIPTION BY NO.</p>	<p>REVISIONS</p>	<p>DRAWING NO. AE743 SHEET NO. 203 OF 312</p>