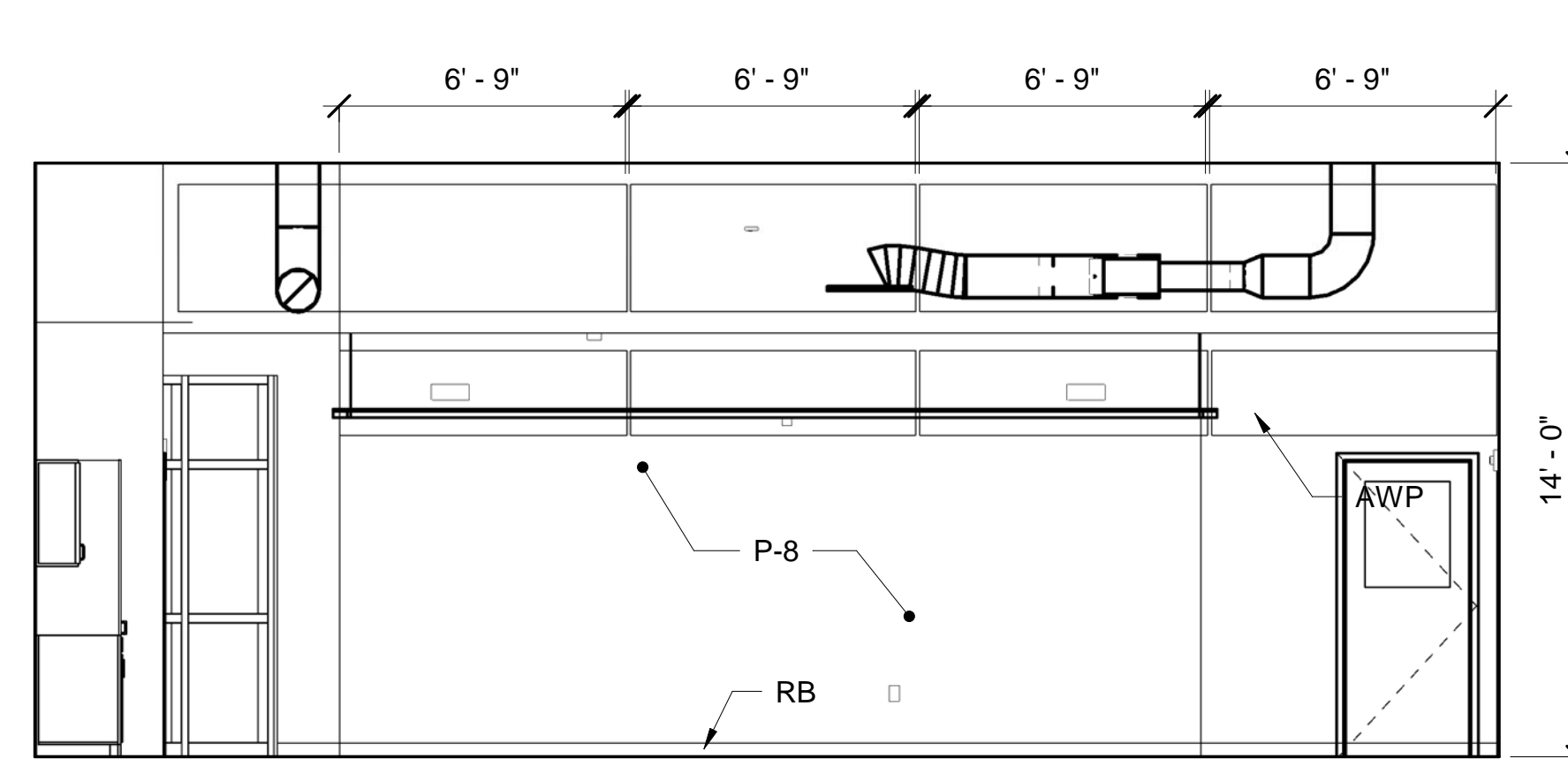
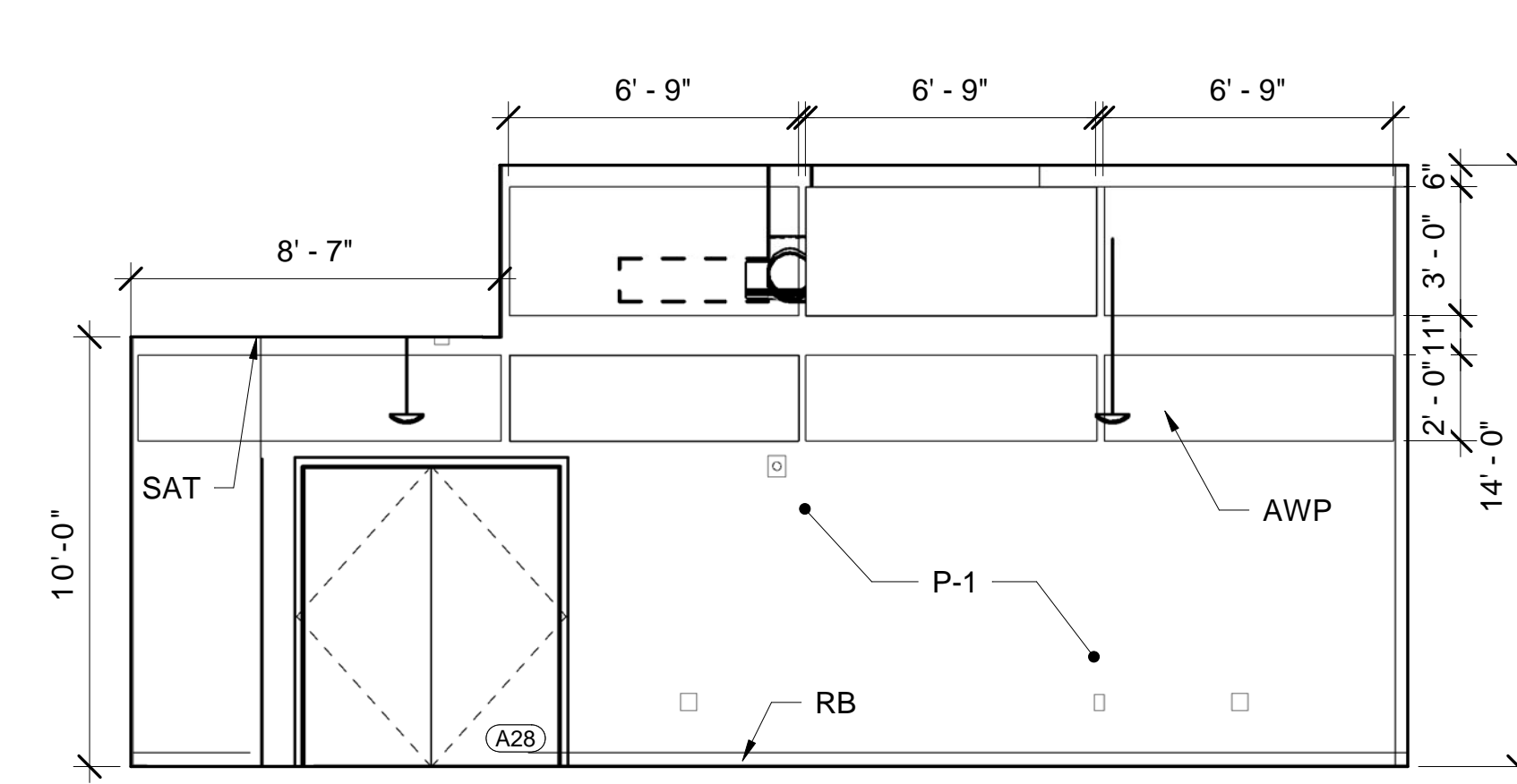


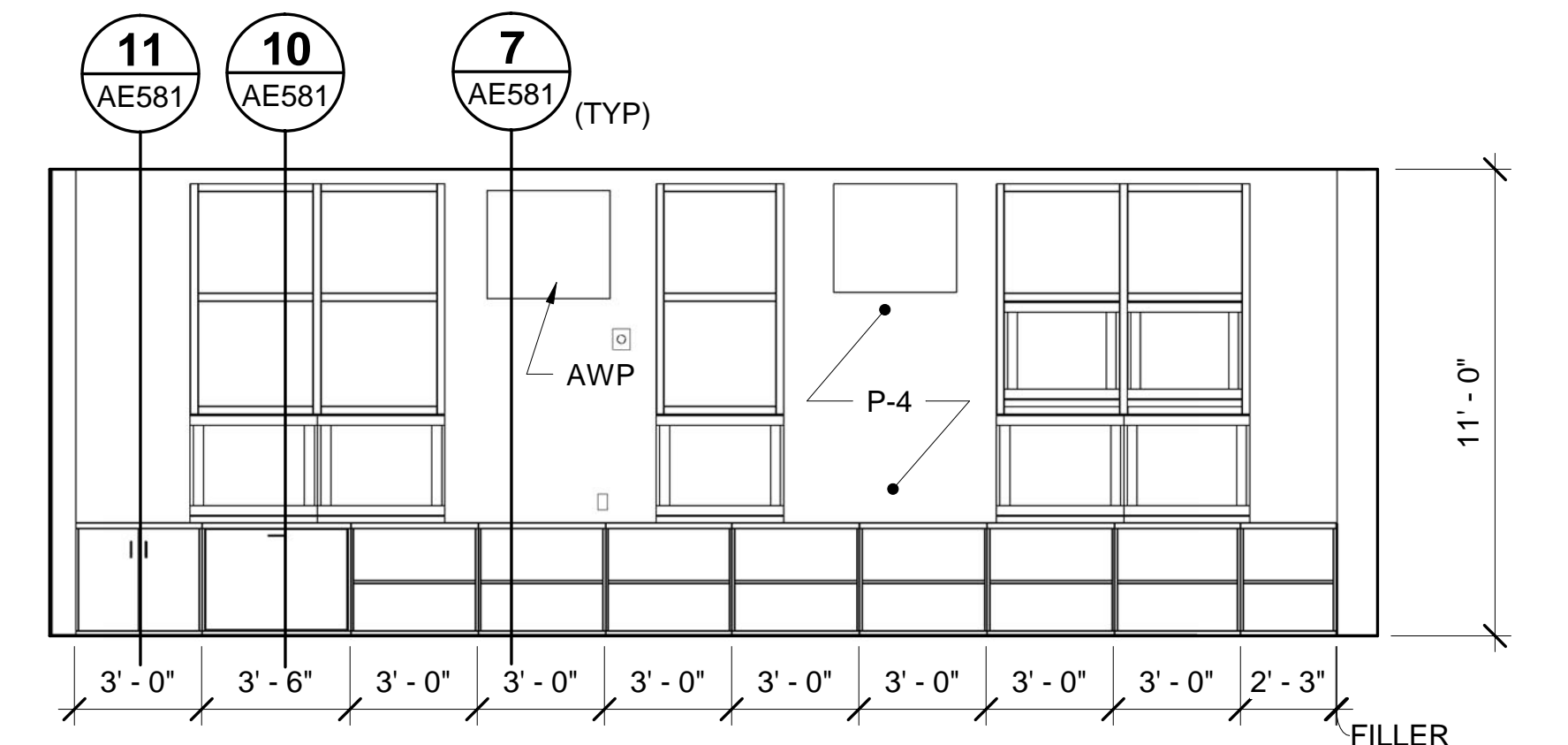
1 MUSIC B11 - NORTH ELEV
 AE102/AE742 SCALE: 1/4" = 1'-0"



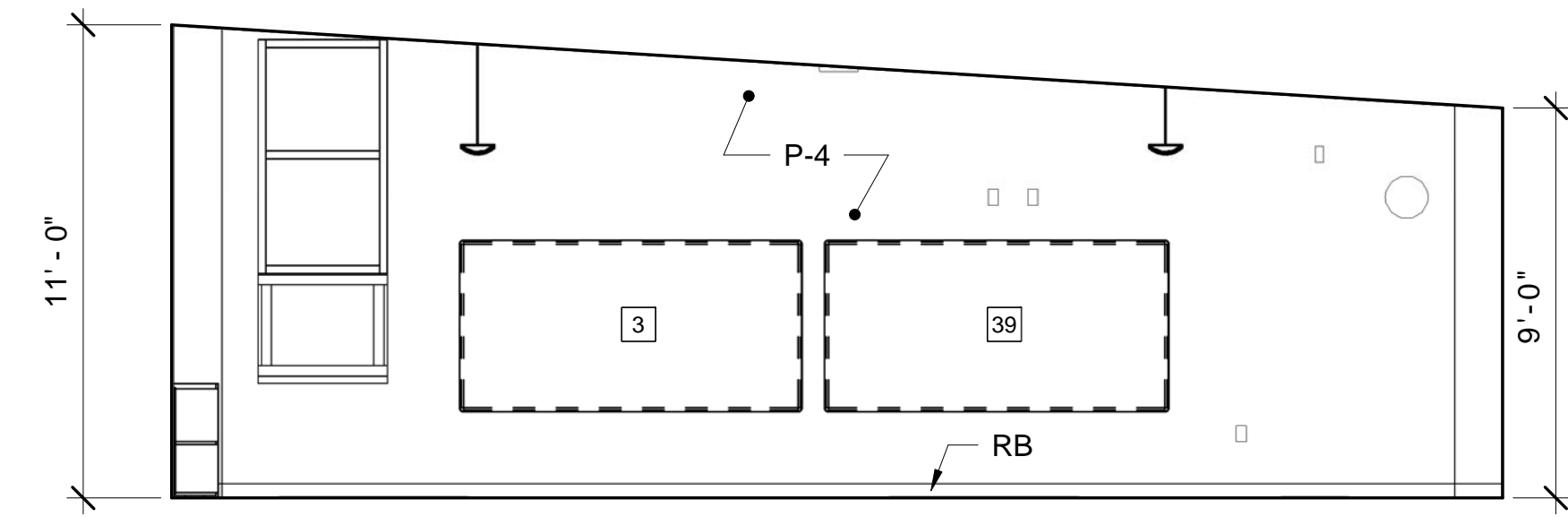
2 MUSIC B11 - EAST ELEV
 AE102/AE742 SCALE: 1/4" = 1'-0"



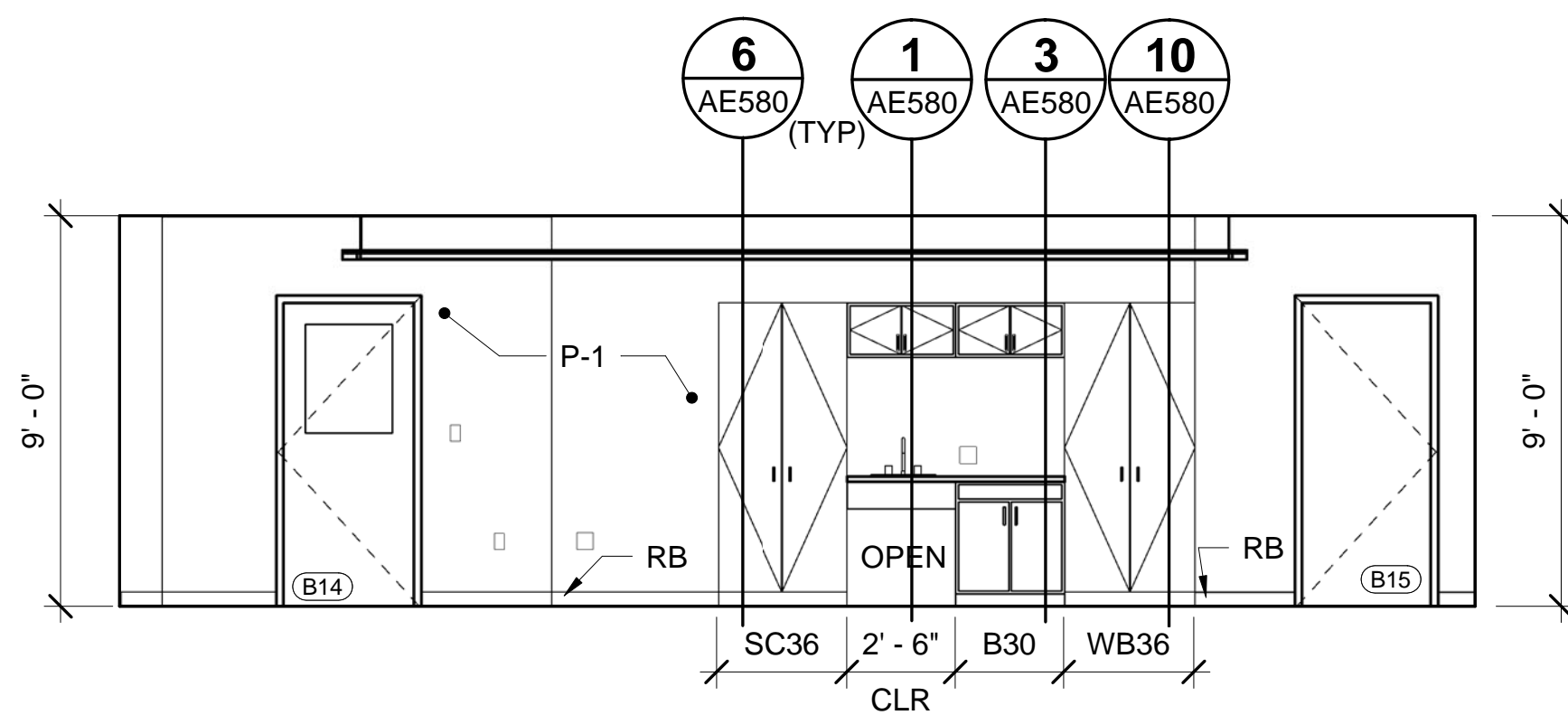
3 MUSIC B11 - SOUTH ELEV
 AE102/AE742 SCALE: 1/4" = 1'-0"



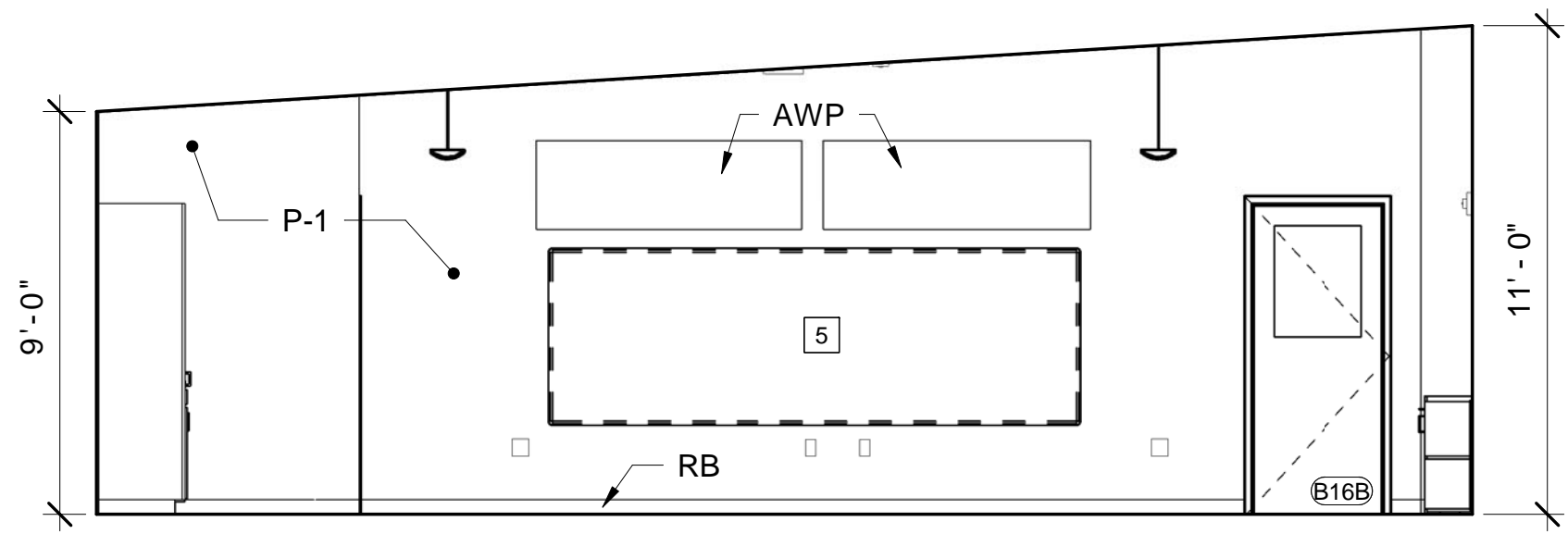
4 KINDERGARTEN B15 - NORTH ELEV
 AE102/AE742 SCALE: 1/4" = 1'-0"



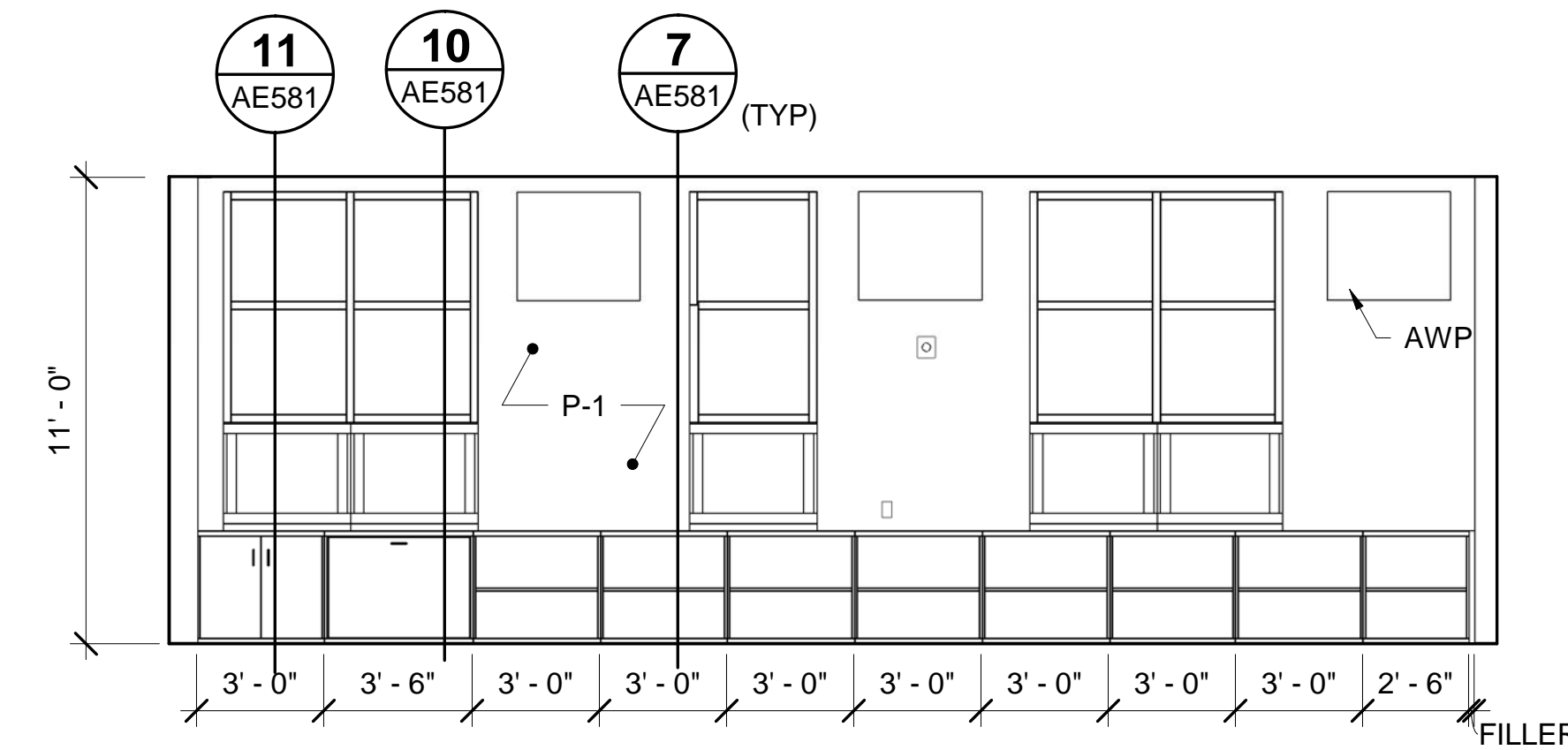
5 KINDERGARTEN B15 - EAST ELEV
 AE102/AE742 SCALE: 1/4" = 1'-0"



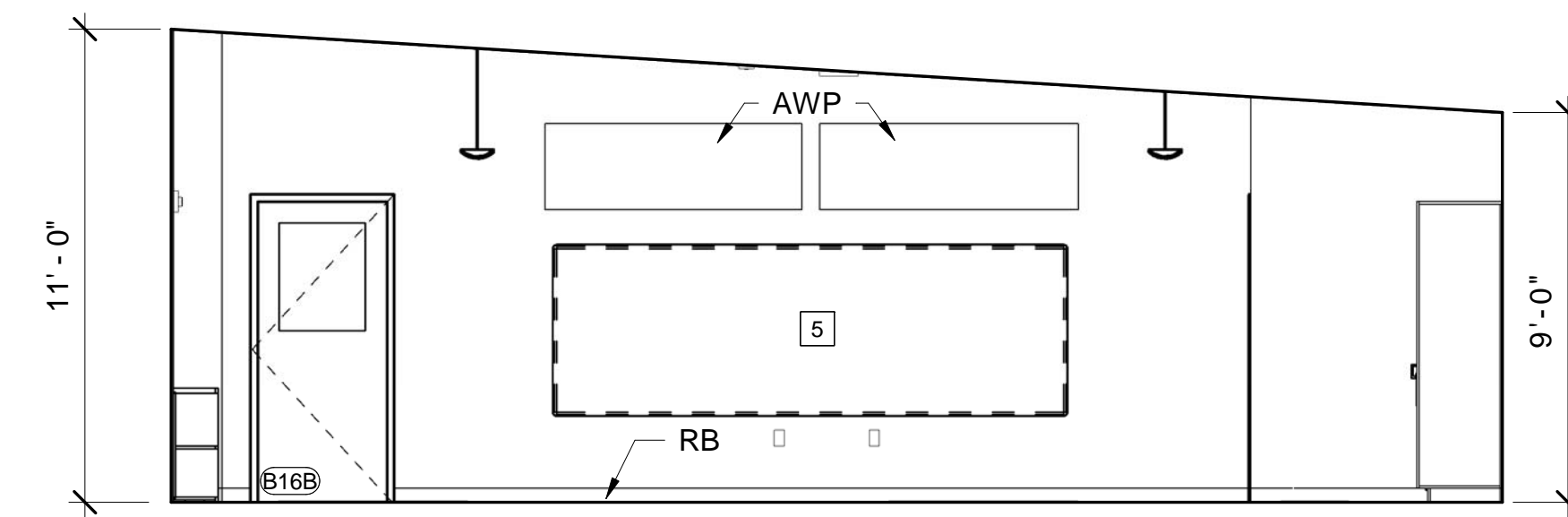
6 KINDERGARTEN B15 - SOUTH ELEV
 AE102/AE742 SCALE: 1/4" = 1'-0"



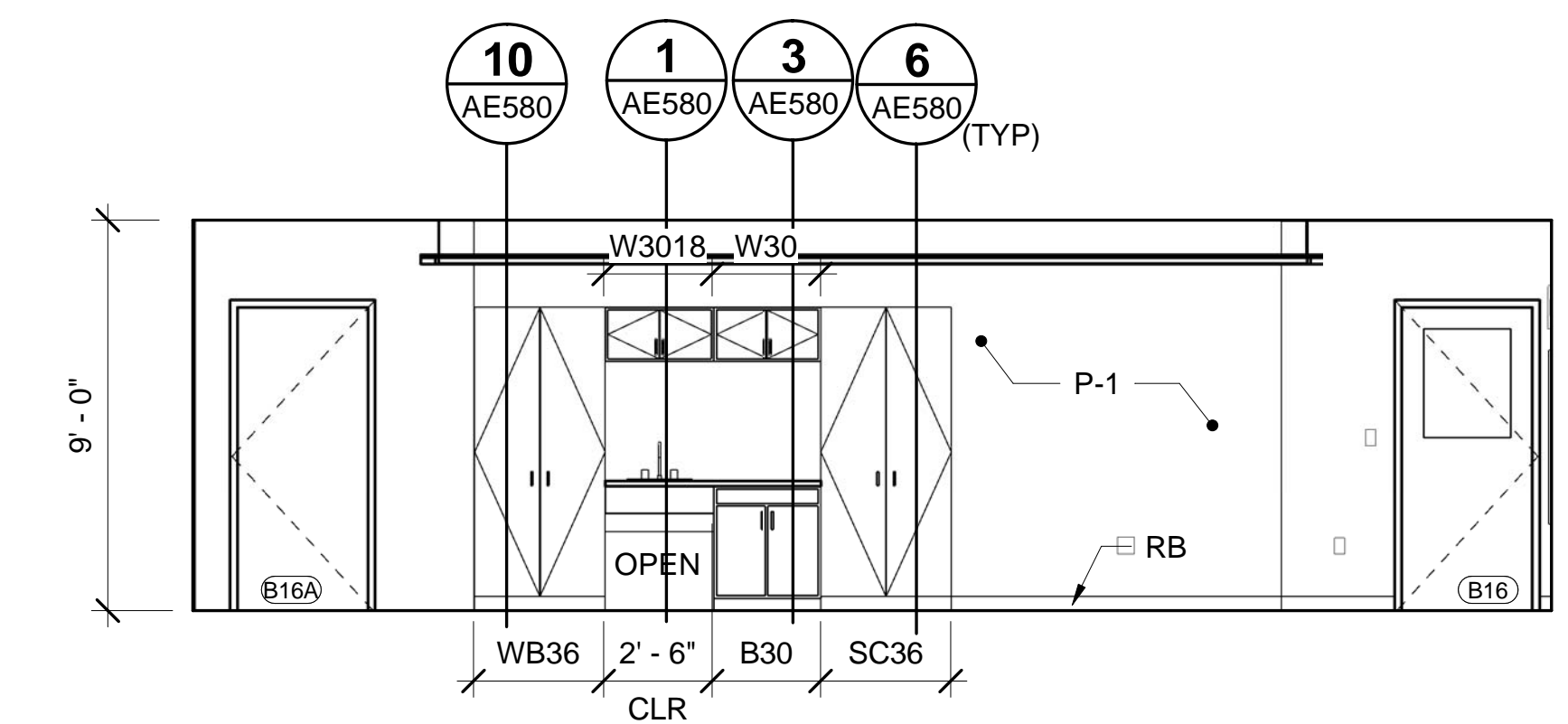
7 KINDERGARTEN B15 - WEST ELEV
 AE102/AE742 SCALE: 1/4" = 1'-0"



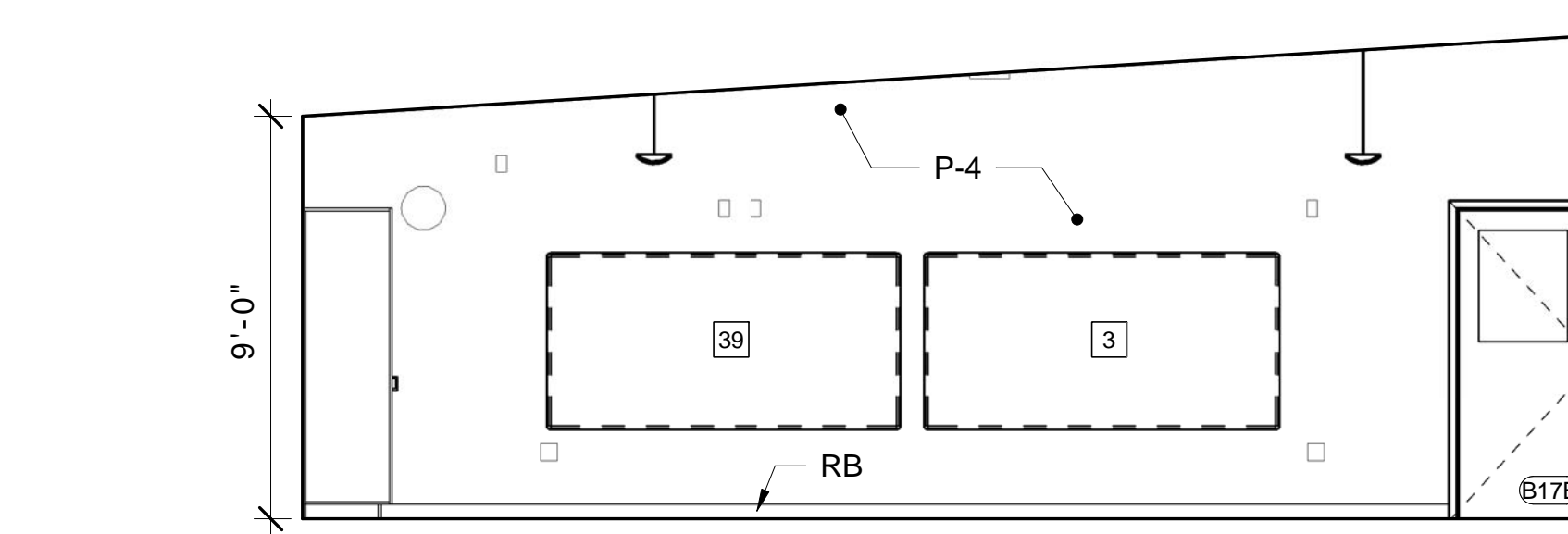
8 KINDERGARTEN B16 - NORTH ELEV
 AE102/AE742 SCALE: 1/4" = 1'-0"



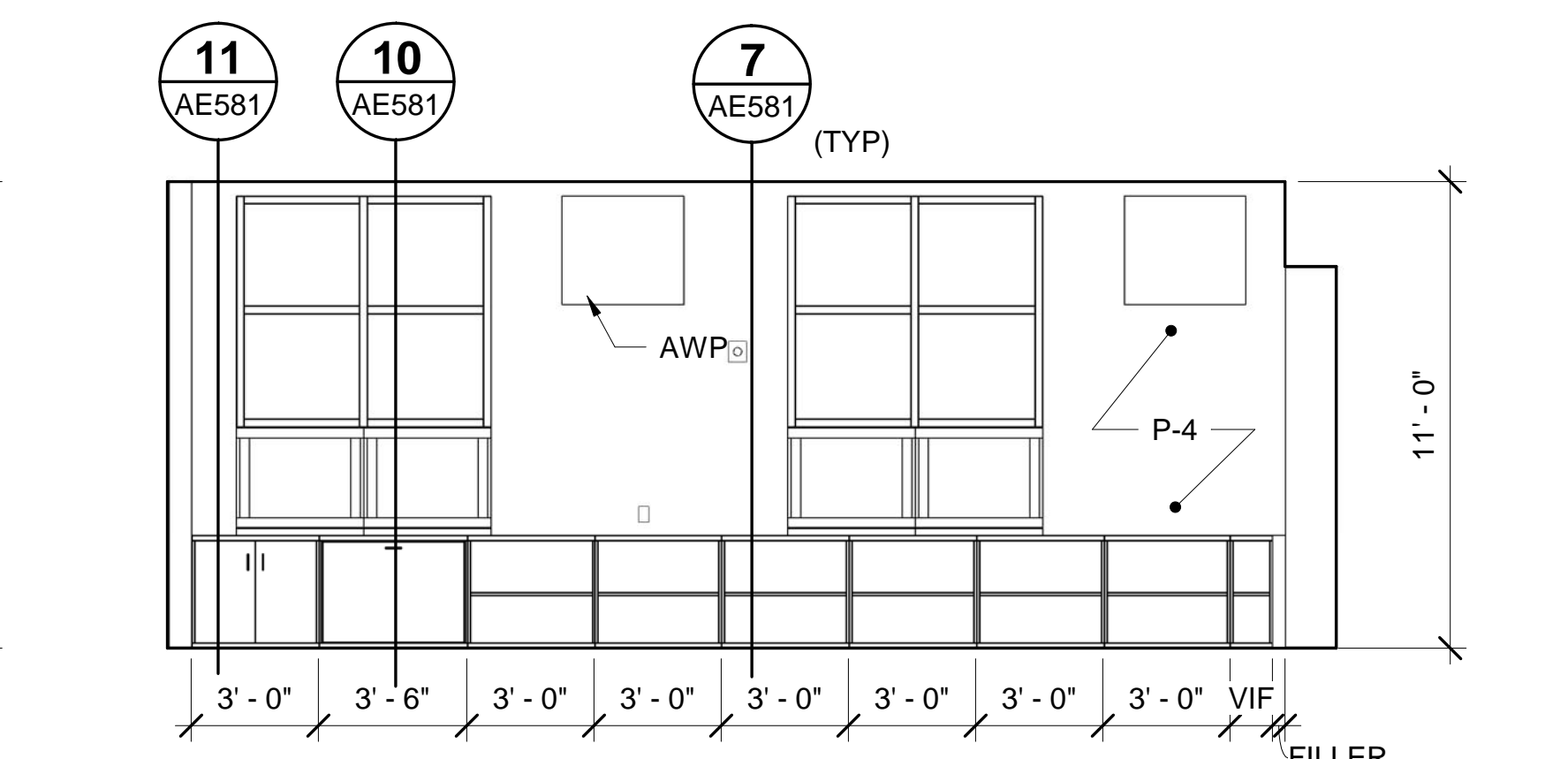
9 KINDERGARTEN B16 - EAST ELEV
 AE102/AE742 SCALE: 1/4" = 1'-0"



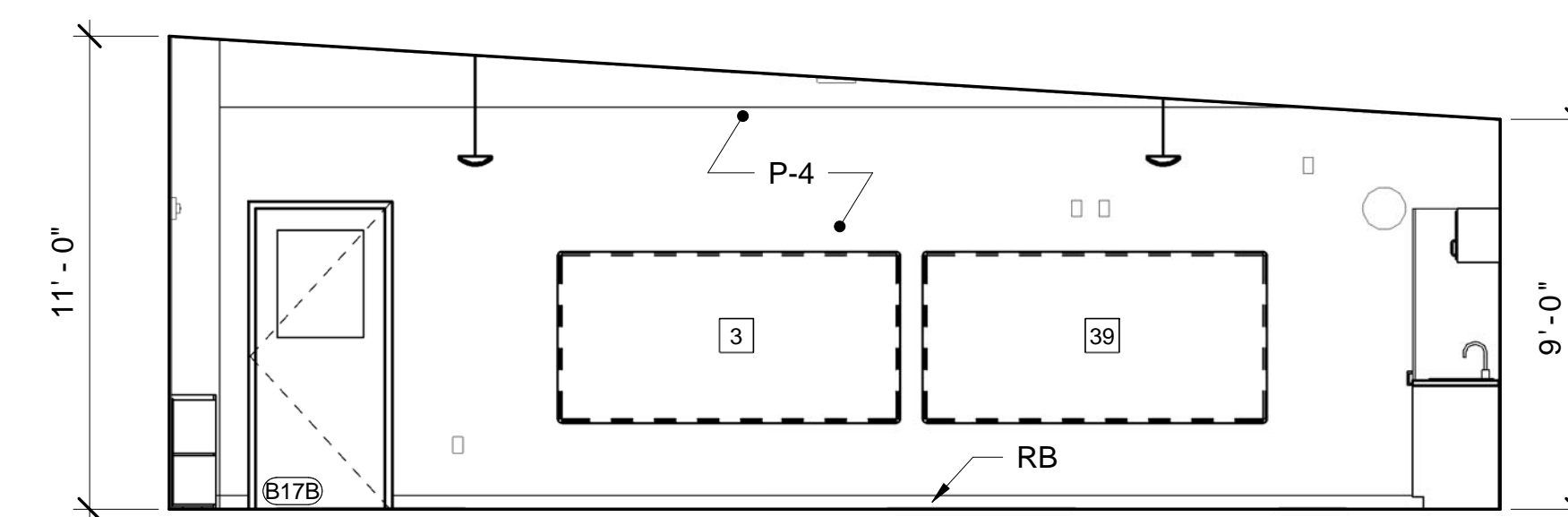
10 KINDERGARTEN B16 - SOUTH ELEV
 AE102/AE742 SCALE: 1/4" = 1'-0"



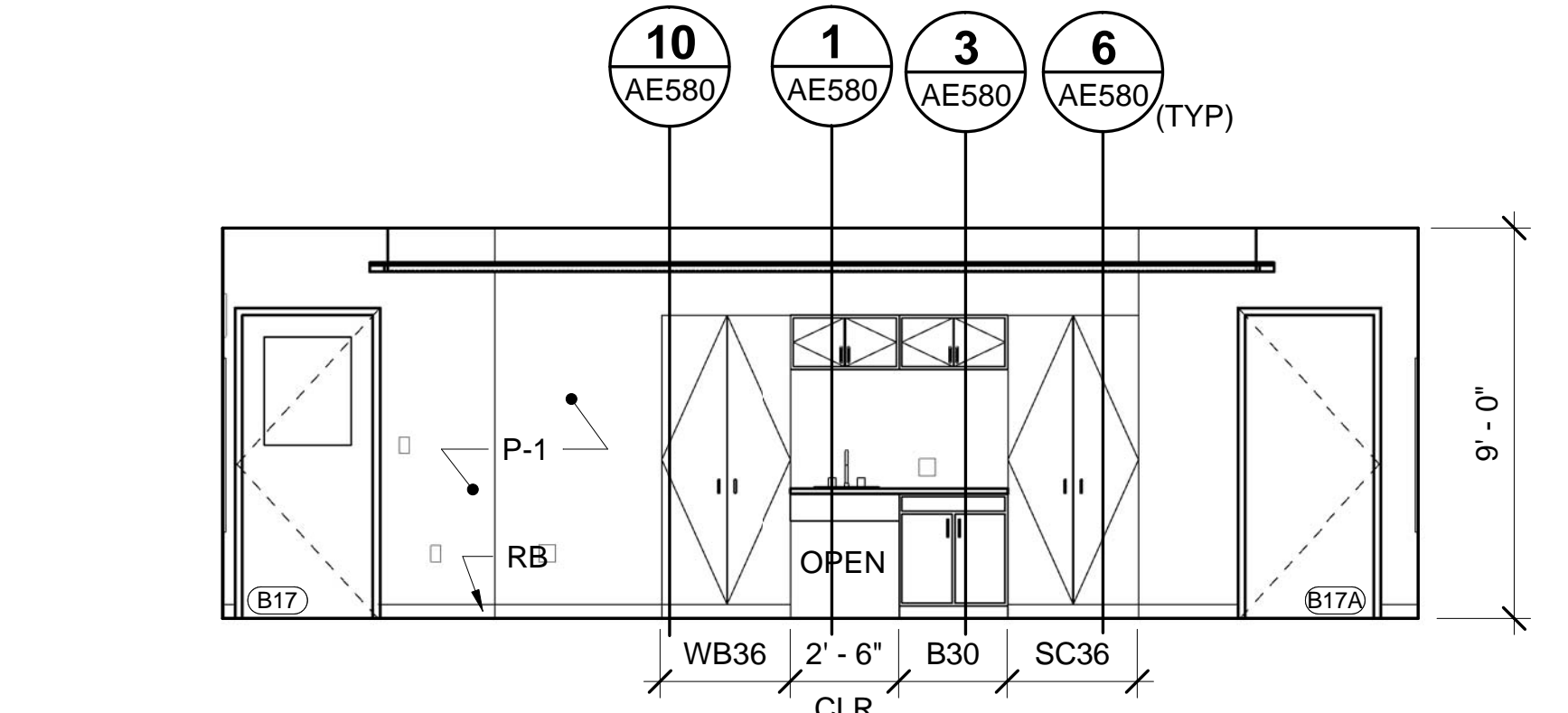
11 KINDERGARTEN B16 - WEST ELEV
 AE102/AE742 SCALE: 1/4" = 1'-0"



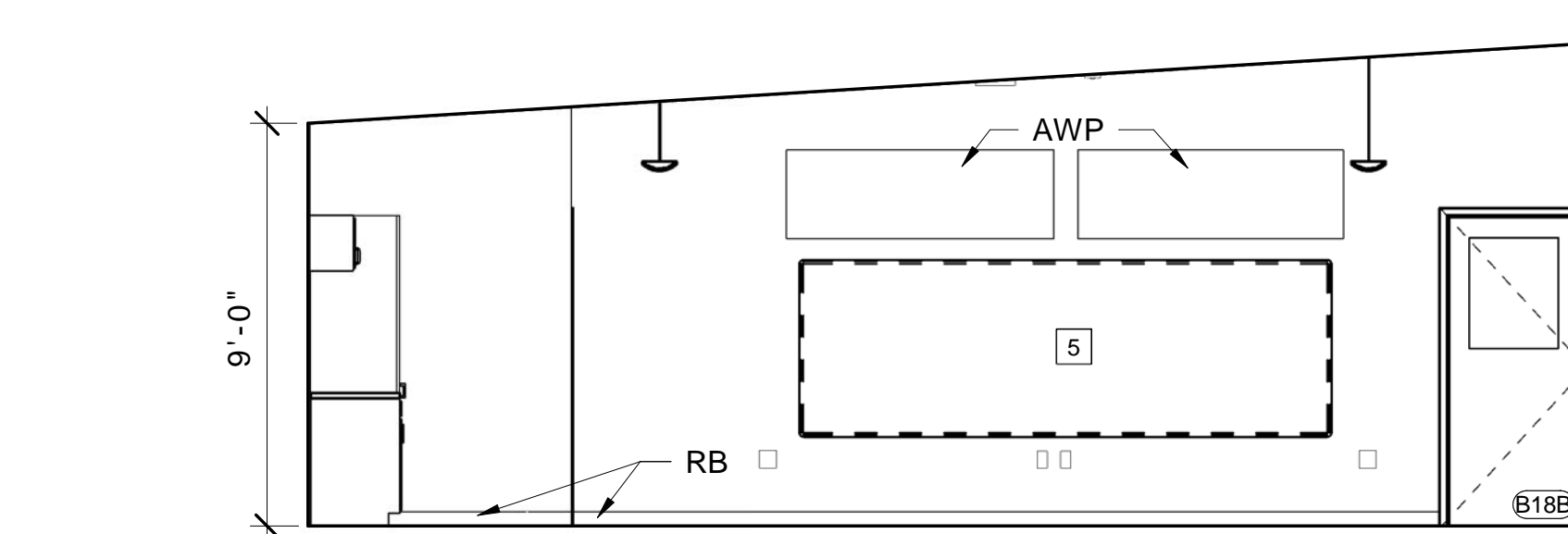
12 PRE-K B17 - NORTH ELEV
 AE102/AE742 SCALE: 1/4" = 1'-0"



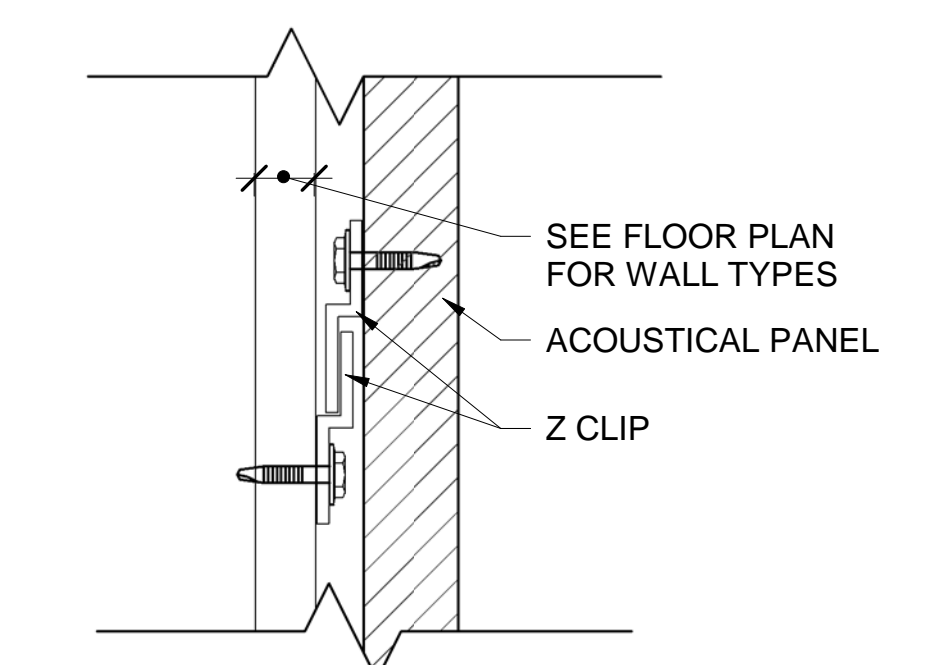
13 PRE-K B17 - EAST ELEV
 AE102/AE742 SCALE: 1/4" = 1'-0"



14 PRE-K B17 - SOUTH ELEV
 AE102/AE742 SCALE: 1/4" = 1'-0"



15 PRE-K B17 - WEST ELEV
 AE102/AE742 SCALE: 1/4" = 1'-0"

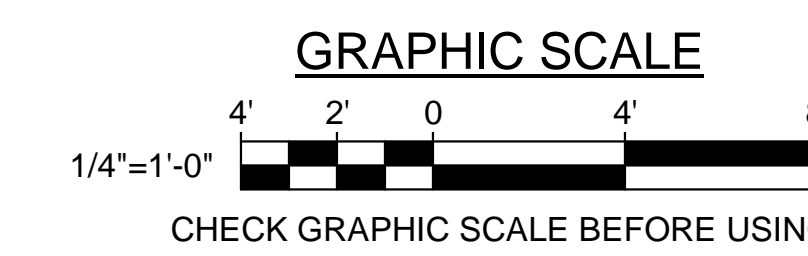


16 ACOUSTIC WALL PANEL - Z CLIP SUPPORT
 AE740, AE741, AE742 SCALE: 6" = 1'-0"

AE 740, AE 741, AE 742, AE 743, AE 744, AE 745, AE 746, AE 747, AE 751

GENERAL NOTES:

1. SEE SHEET AE004 FOR KEYNOTES.



		<p>STATE OF MAINE PUBLIC SCHOOL PROJECT TITLE: PORTLAND PUBLIC SCHOOLS NEW FRED P. HALL ELEMENTARY SCHOOL LOCATION: 23 ORONO ROAD, PORTLAND, ME TITLE THIS DWG.: INTERIOR ELEVATIONS</p>
<p>DRAWN BY: JGB CHECK BY: TGB</p>	<p>DATE: 03/17/17</p>	<p>OAK POINT ASSOCIATES AE742 SHEET NO. 202 OF 312</p>