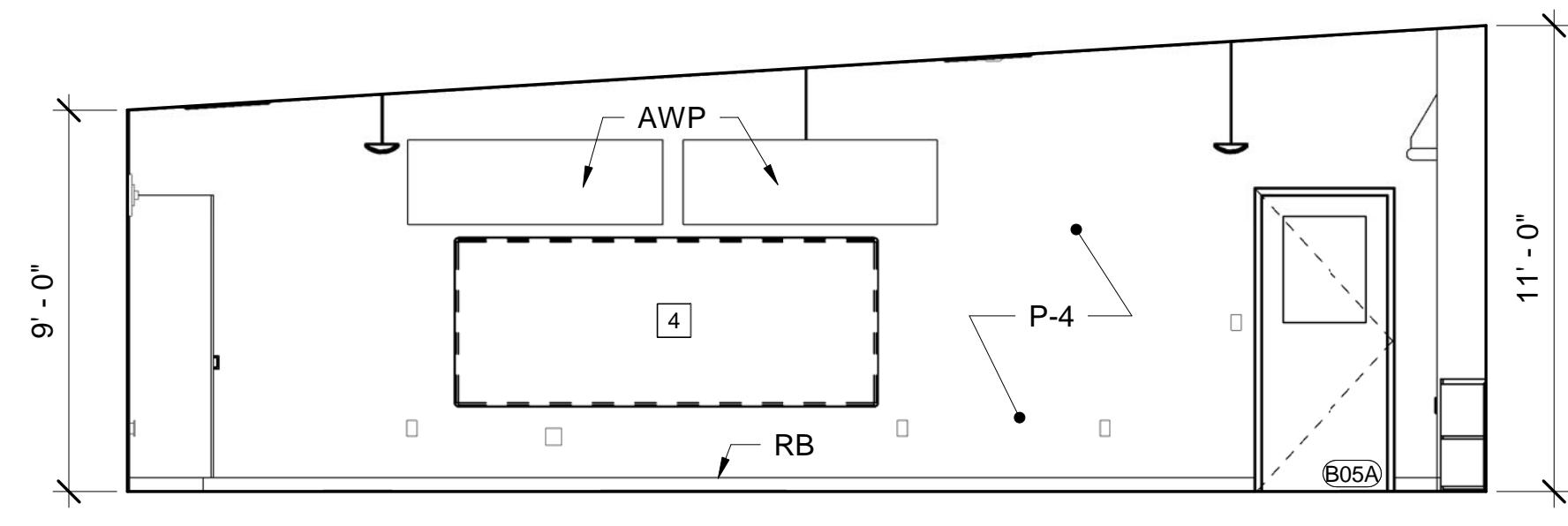
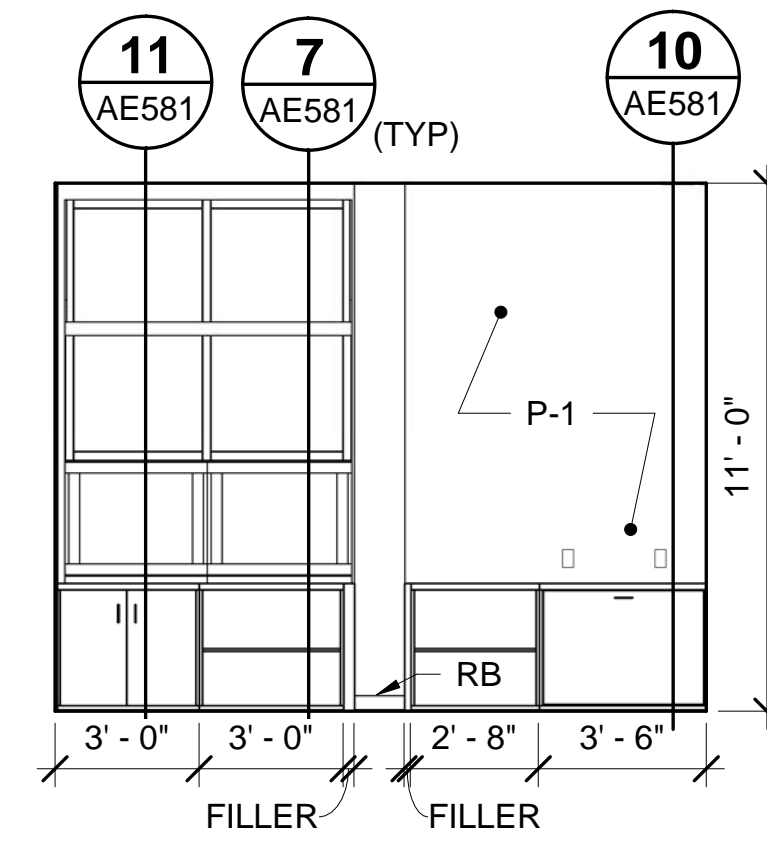


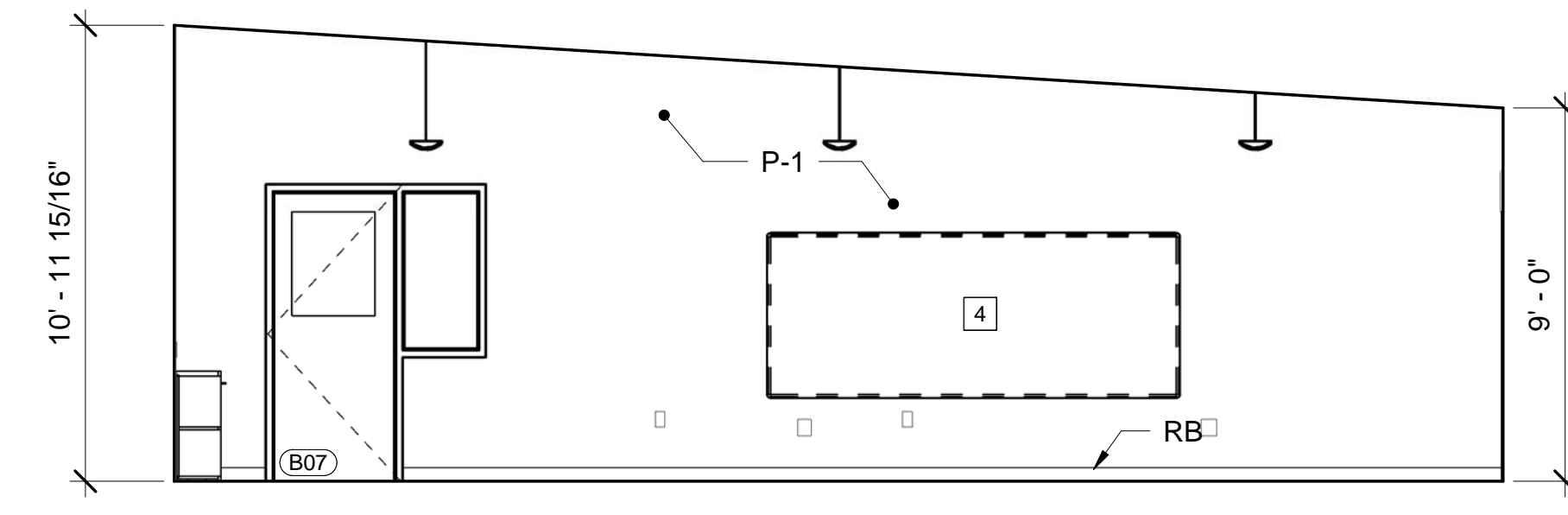
1 ELL B05 - NORTH ELEV
AE102/AE741 SCALE: 1/4" = 1'-0"



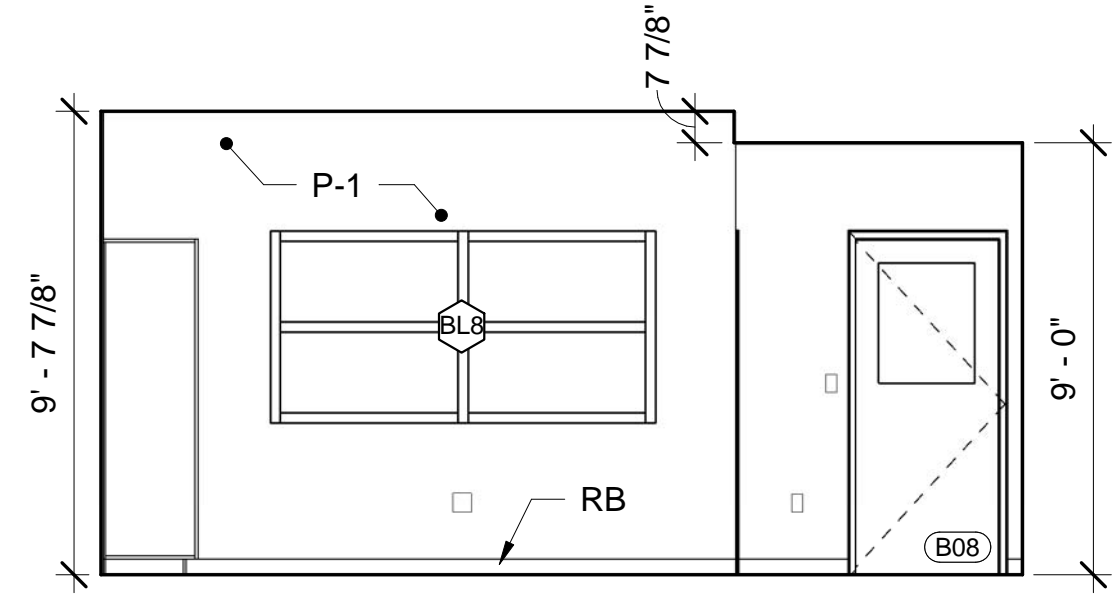
2 ELL B05 - EAST ELEV
AE102/AE741 SCALE: 1/4" = 1'-0"



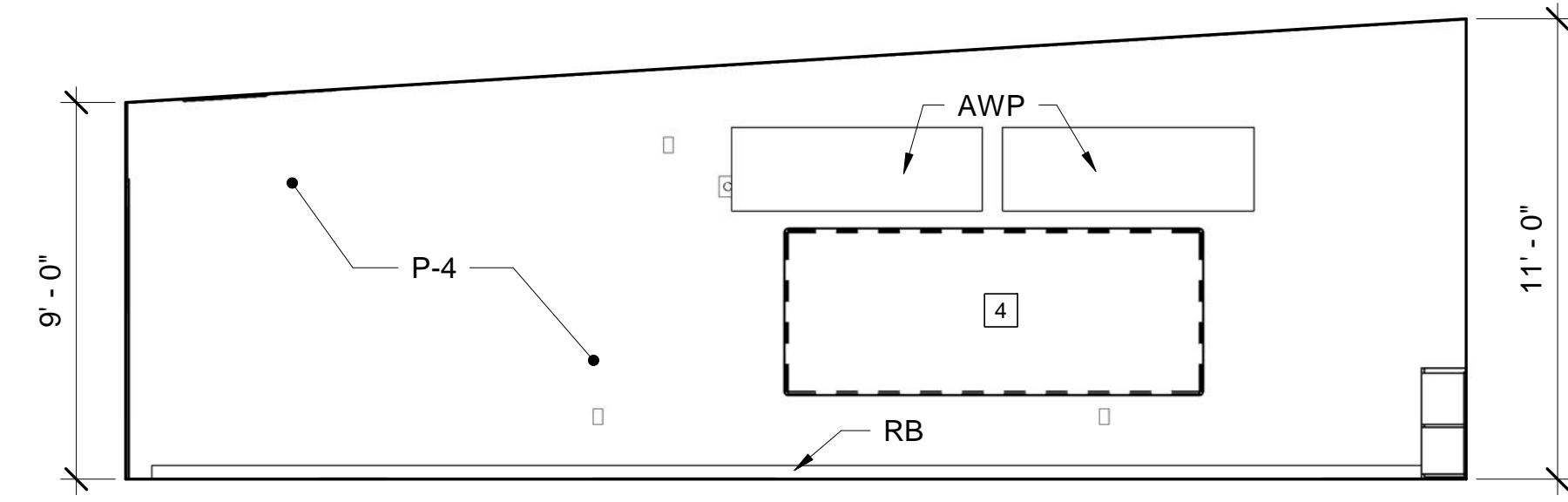
3 ELL B05 - SOUTH ELEV
AE102/AE741 SCALE: 1/4" = 1'-0"



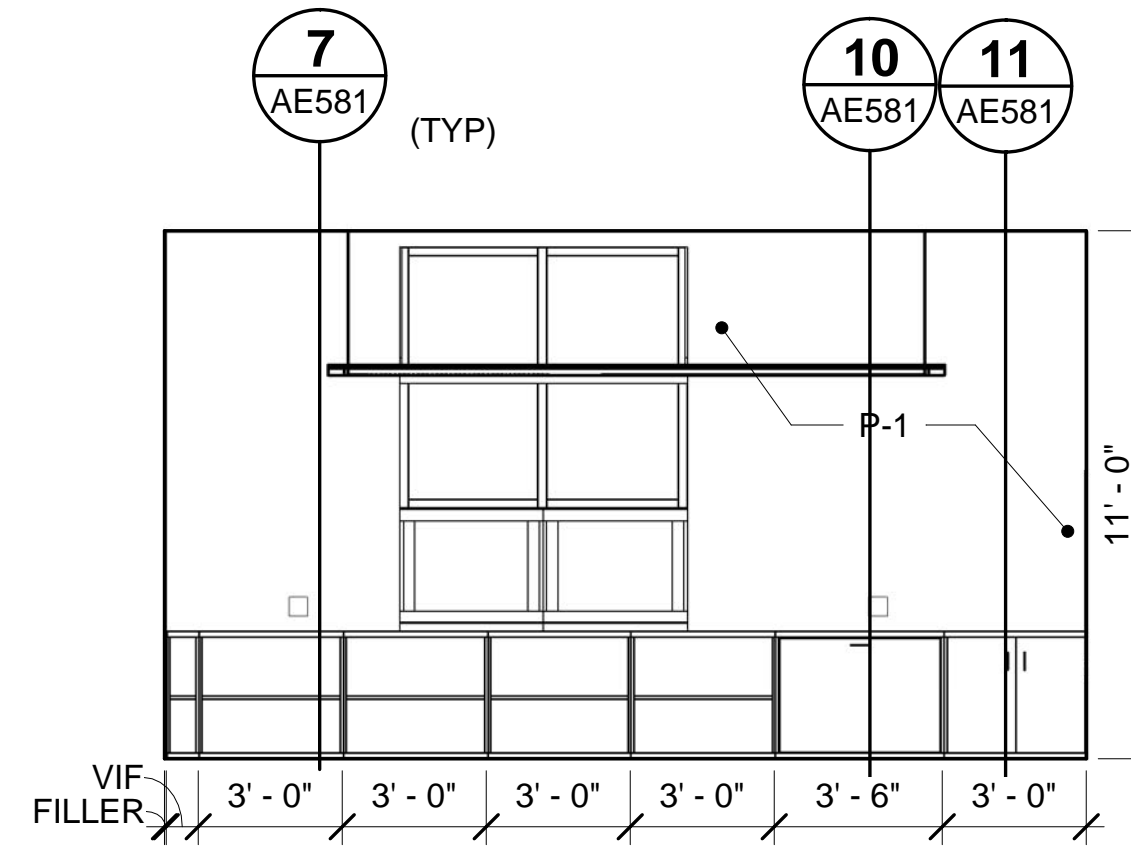
4 ELL B05 - WEST ELEV
AE102/AE741 SCALE: 1/4" = 1'-0"



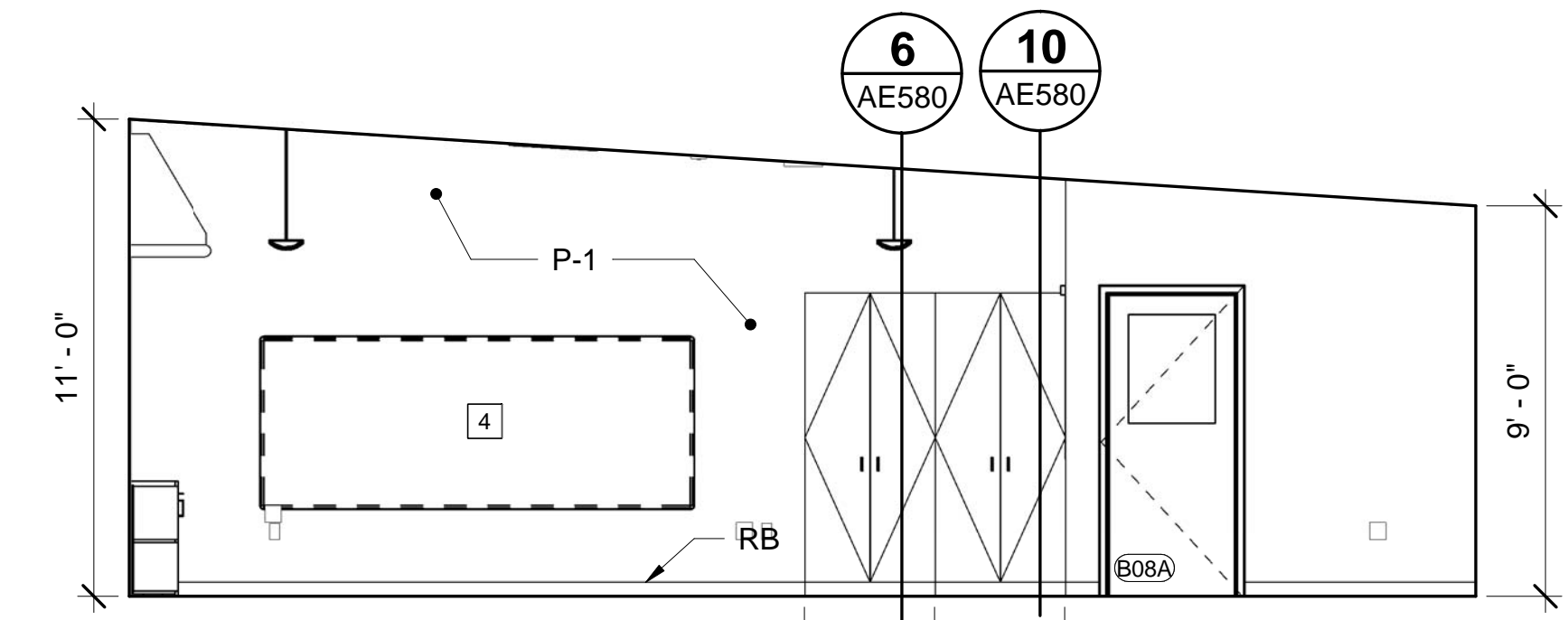
5 LIT INTERV B08 - NORTH ELEV
AE102/AE741 SCALE: 1/4" = 1'-0"



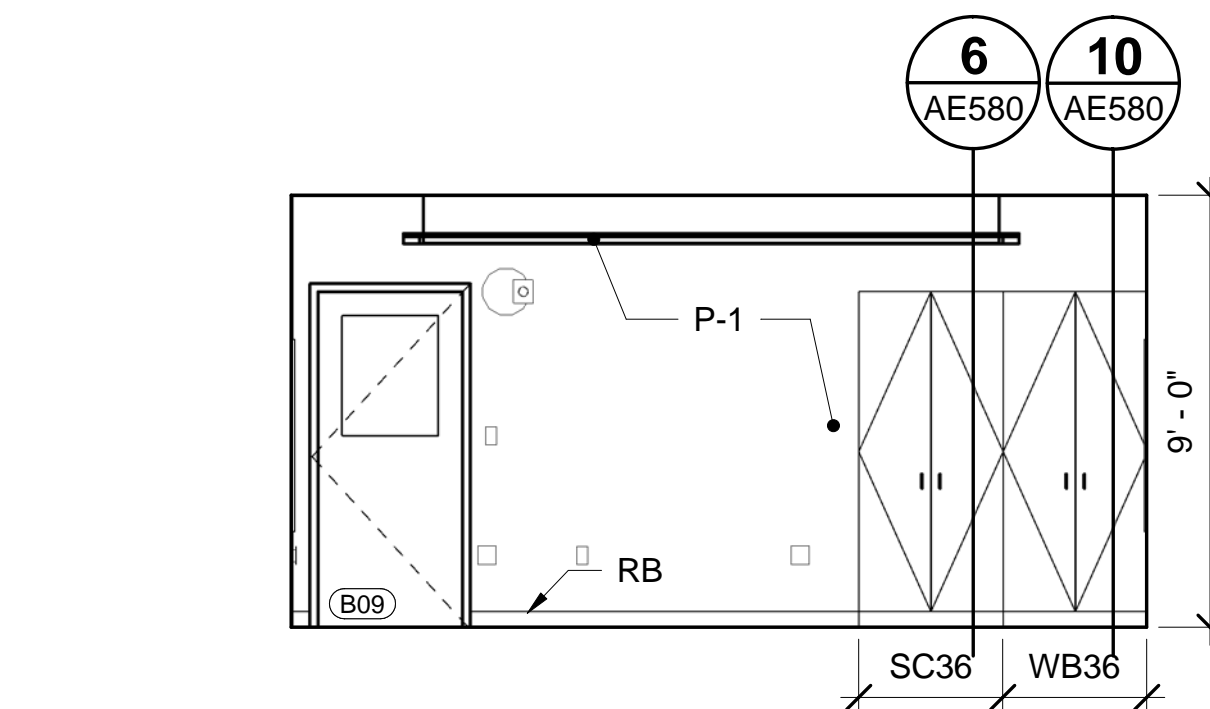
6 LIT INTERV B08 - EAST ELEV
AE102/AE741 SCALE: 1/4" = 1'-0"



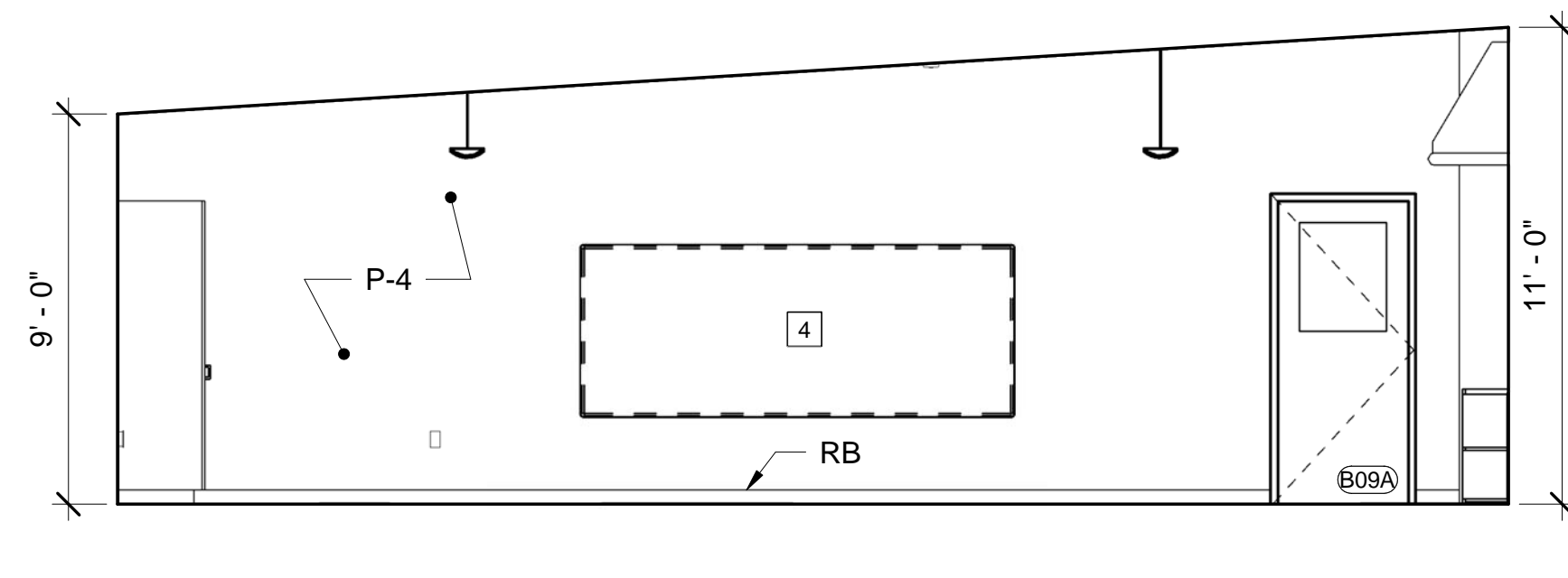
7 LIT INTERV B08 - SOUTH ELEV
AE102/AE741 SCALE: 1/4" = 1'-0"



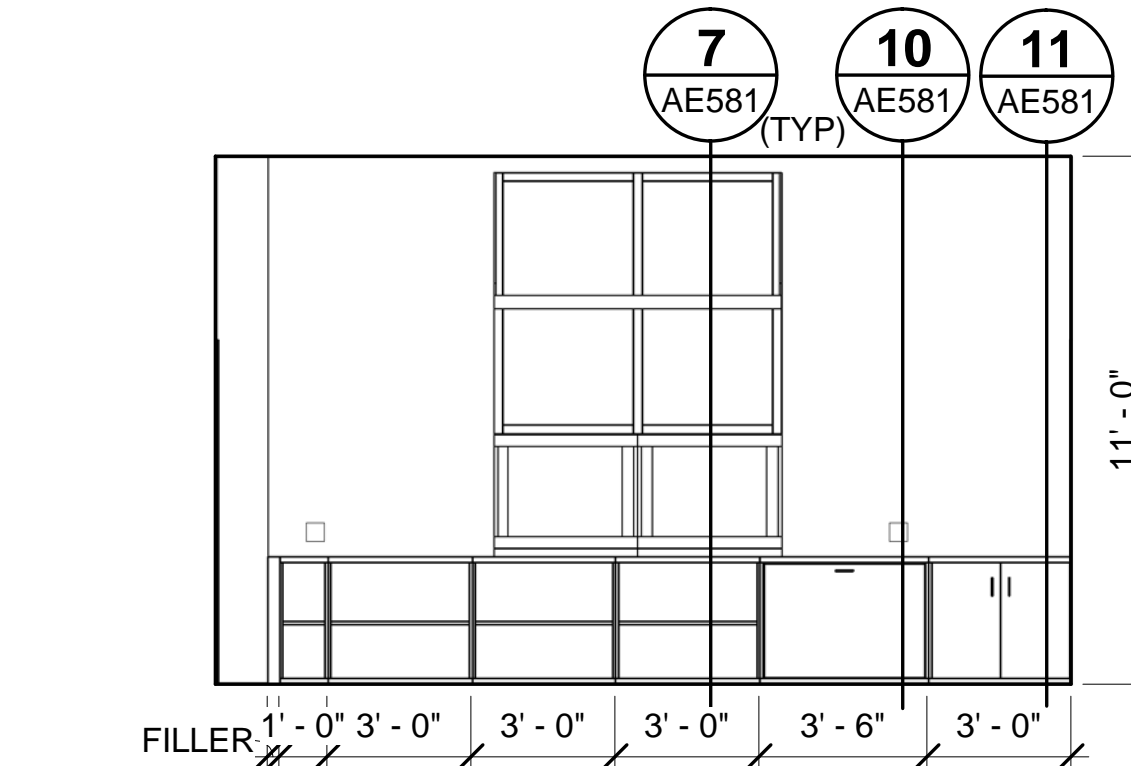
8 LIT INTERV B08 - WEST ELEV
AE102/AE741 SCALE: 1/4" = 1'-0"



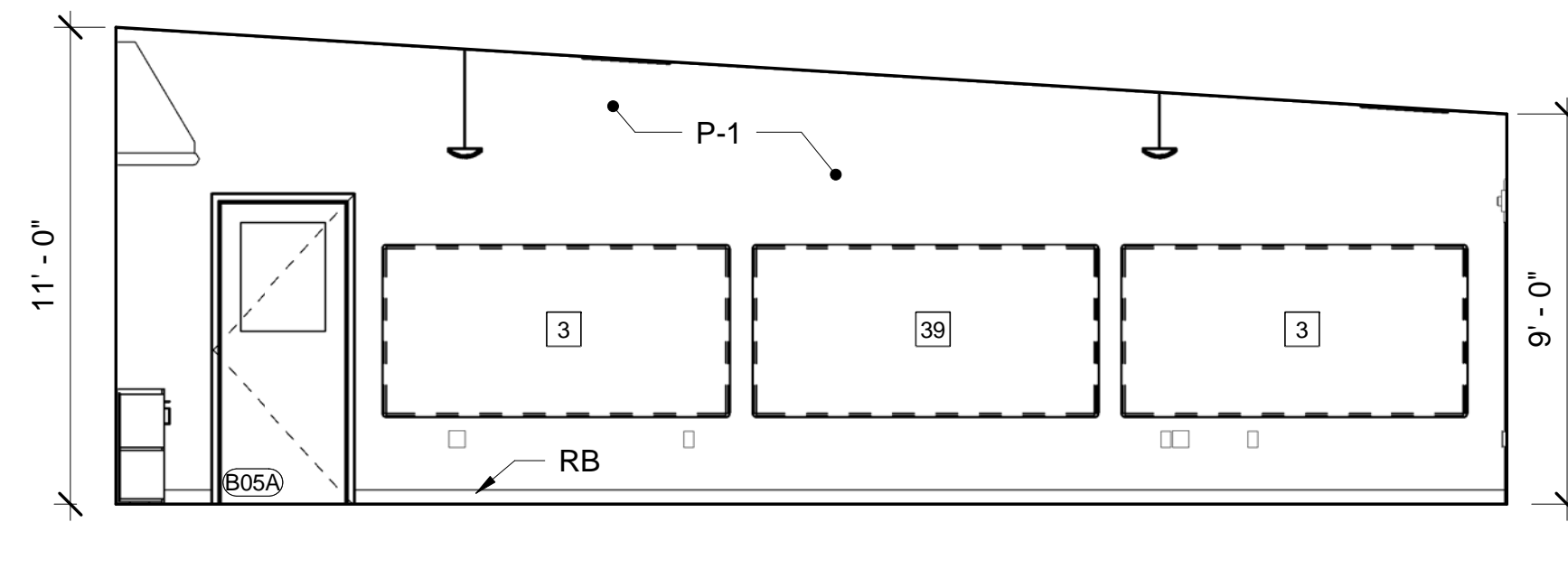
9 READ B09 - NORTH ELEV
AE102/AE741 SCALE: 1/4" = 1'-0"



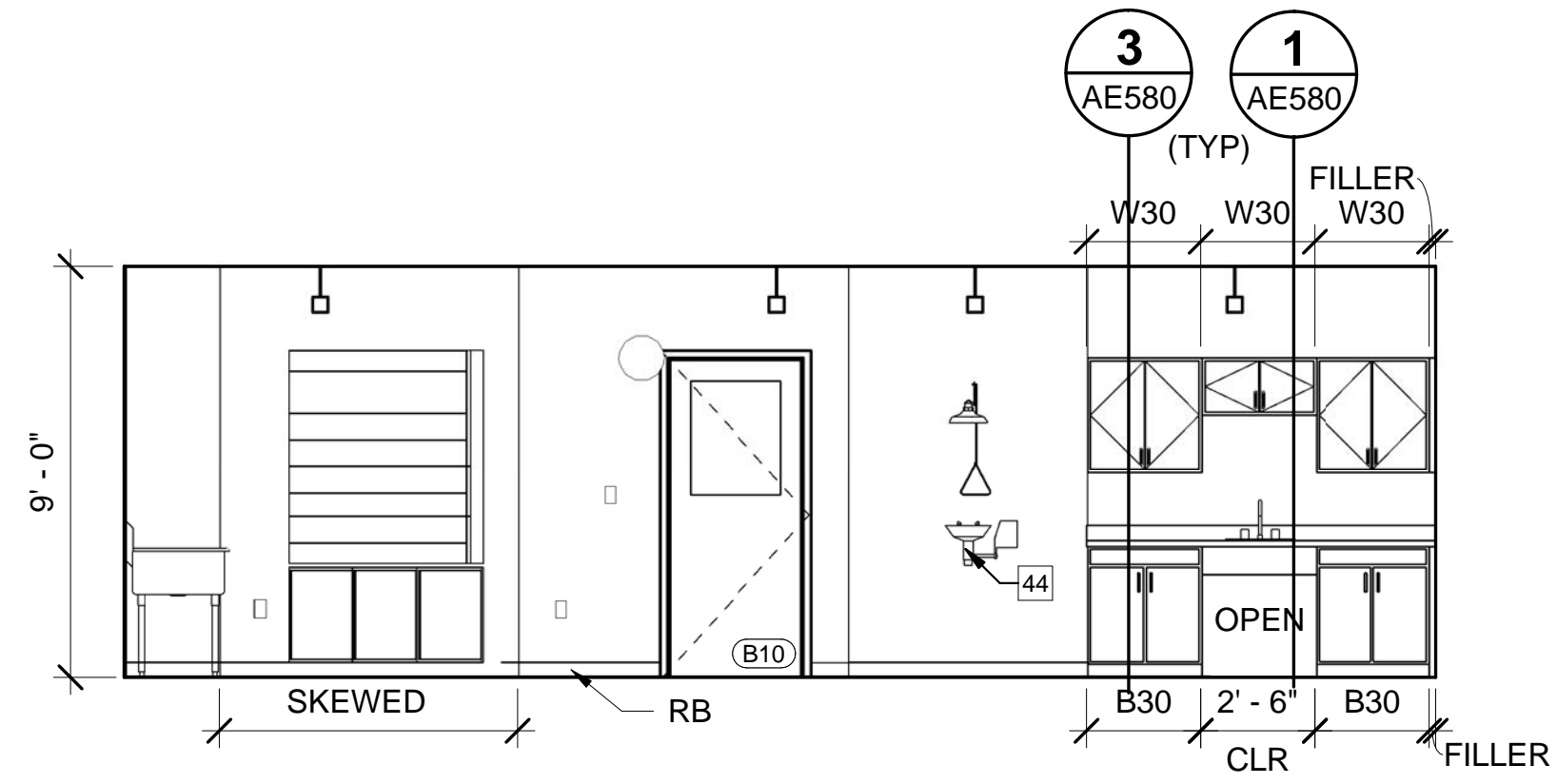
10 READ B09 - EAST ELEV
AE102/AE741 SCALE: 1/4" = 1'-0"



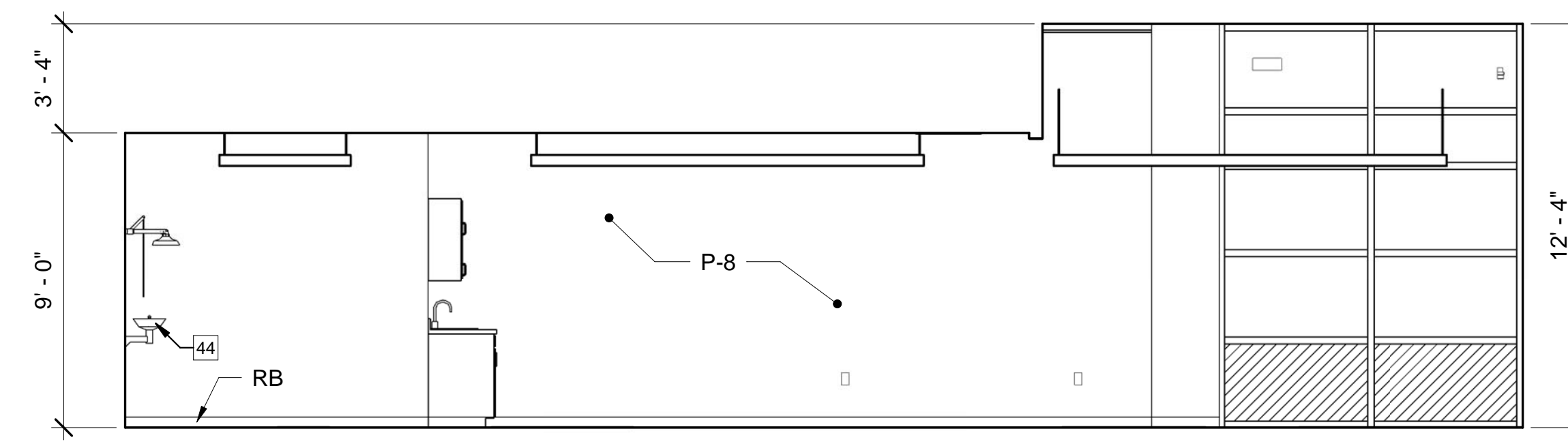
11 READ 180 - SOUTH ELEV
AE102/AE741 SCALE: 1/4" = 1'-0"



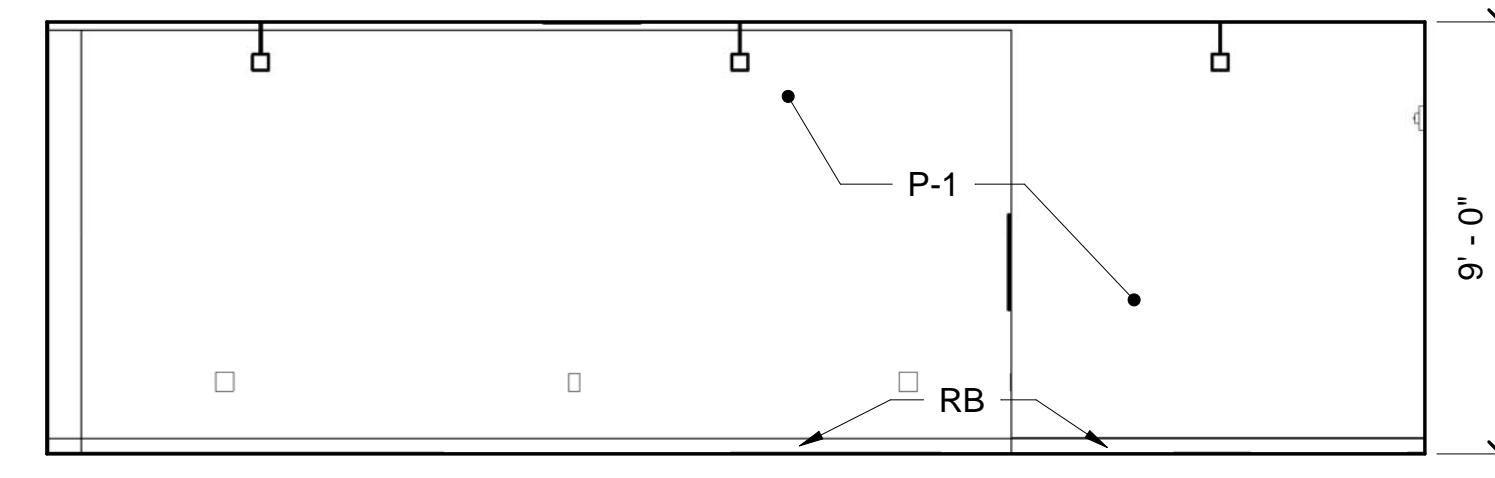
12 READ B09 - WEST ELEV
AE102/AE741 SCALE: 1/4" = 1'-0"



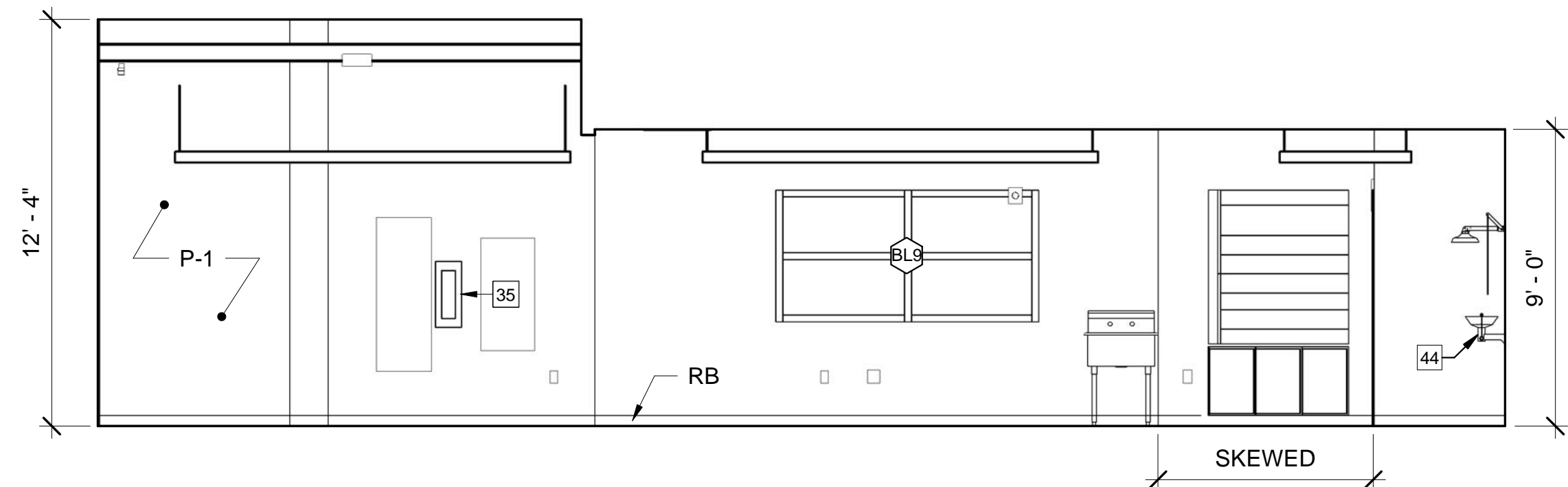
13 MAKER SPACE B10 - NORTH ELEV
AE102/AE741 SCALE: 1/4" = 1'-0"



14 MAKER SPACE B10 - EAST ELEV
AE102/AE741 SCALE: 1/4" = 1'-0"

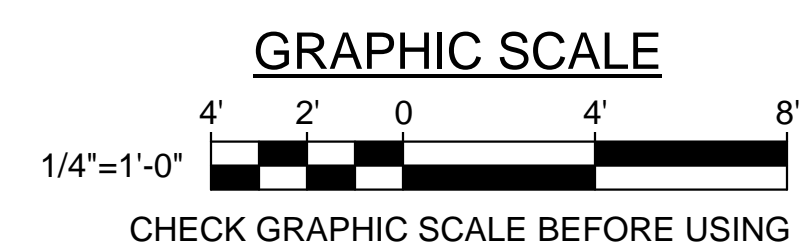


15 MAKER SPACE B10 - SOUTH ELEV
AE102/AE741 SCALE: 1/4" = 1'-0"



16 MAKER SPACE B10 - WEST ELEV
AE102/AE741 SCALE: 1/4" = 1'-0"

GENERAL NOTES:
1. SEE SHEET AE004 FOR KEYNOTES.



		STATE OF MAINE PUBLIC SCHOOL PROJECT PORTLAND PUBLIC SCHOOLS NEW FRED P. HALL ELEMENTARY SCHOOL LOCATION: 23 ORONO ROAD, PORTLAND, ME TITLE THIS DWG: INTERIOR ELEVATIONS	
DRAWN BY: JGB CHECK BY: TGB		OAK POINT ASSOCIATES AE741 SHEET NO. 201 OF 312	
NO.	DATE	DESCRIPTION	BY
		REVISIONS	
			DATE 03/17/17