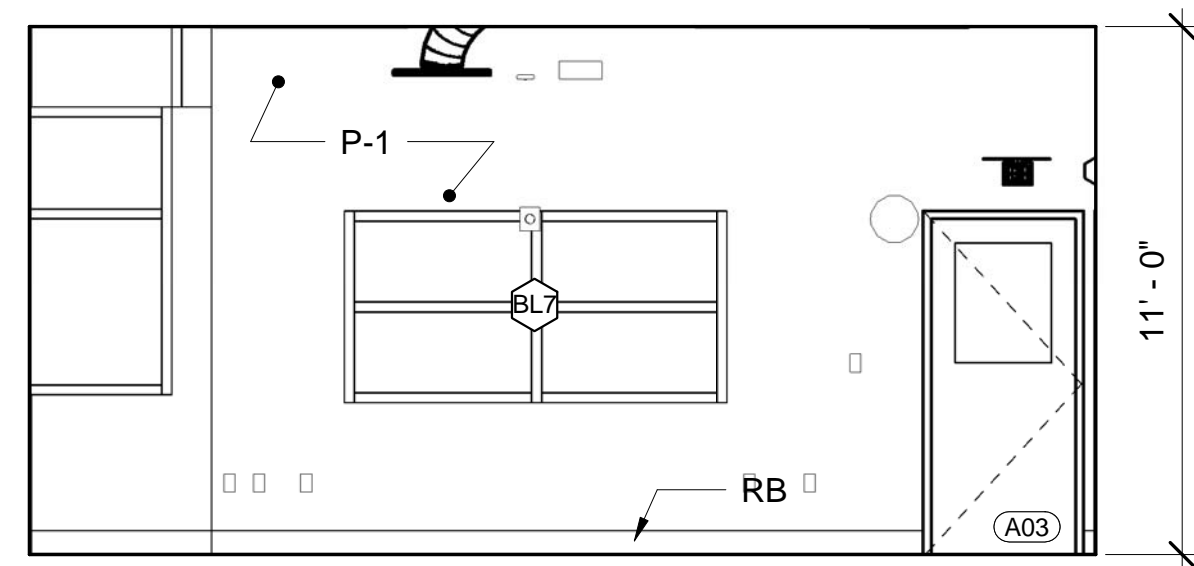
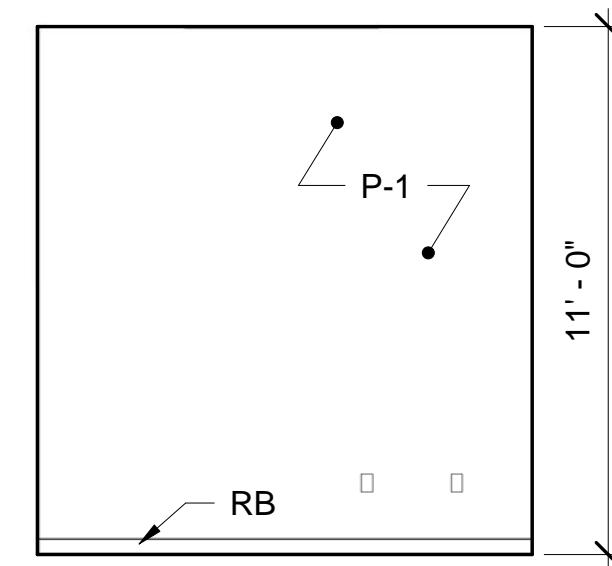


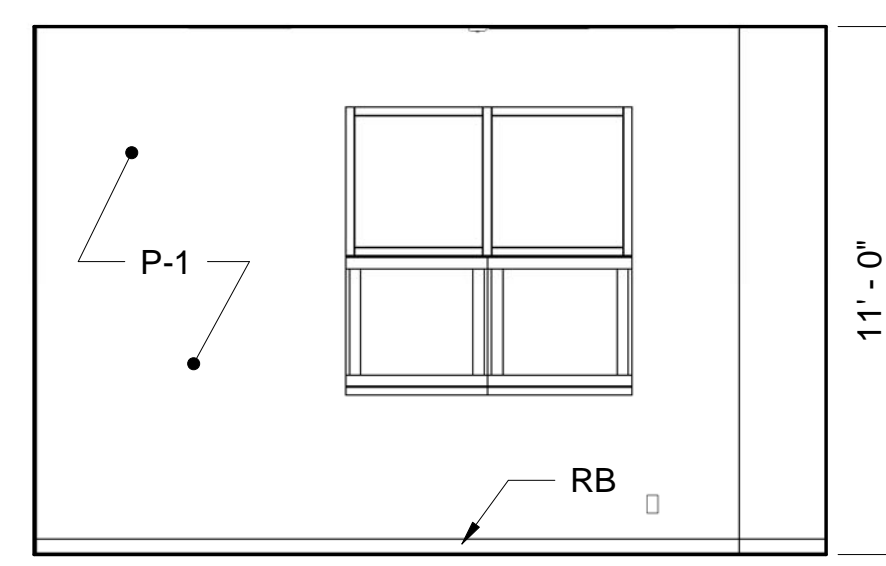
1 MAIN OFFICE A03 - NORTH ELEV
AE101/AE740 SCALE: 1/4" = 1'-0"



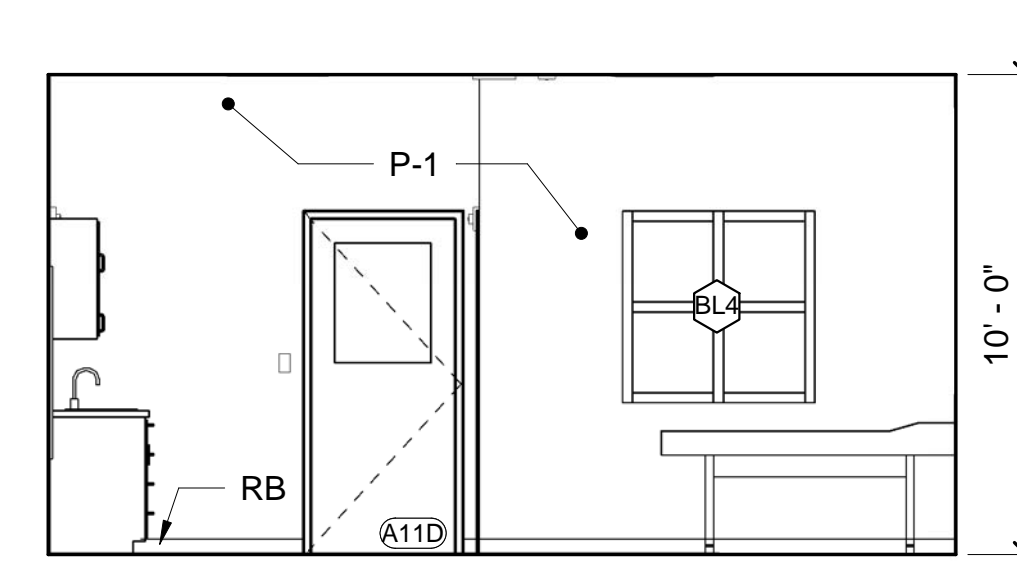
18 MAIN OFFICE A03 - WEST ELEV
AE101/AE740 SCALE: 1/4" = 1'-0"



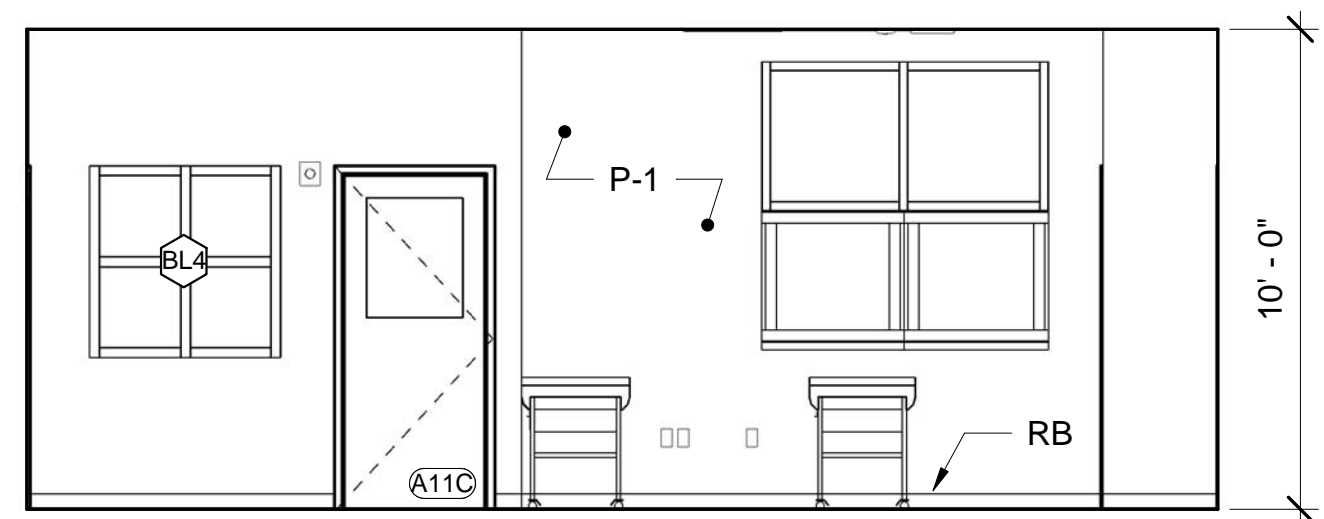
2 SMALL CONF A08 - NORTH ELEV
AE101/AE740 SCALE: 1/4" = 1'-0"



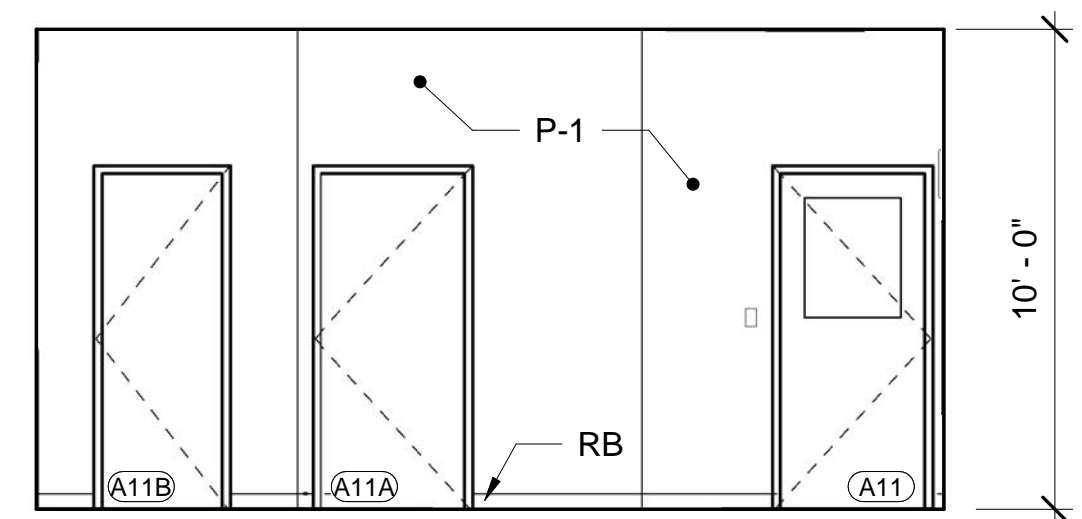
3 SMALL CONF A08 - EAST ELEV
AE101/AE740 SCALE: 1/4" = 1'-0"



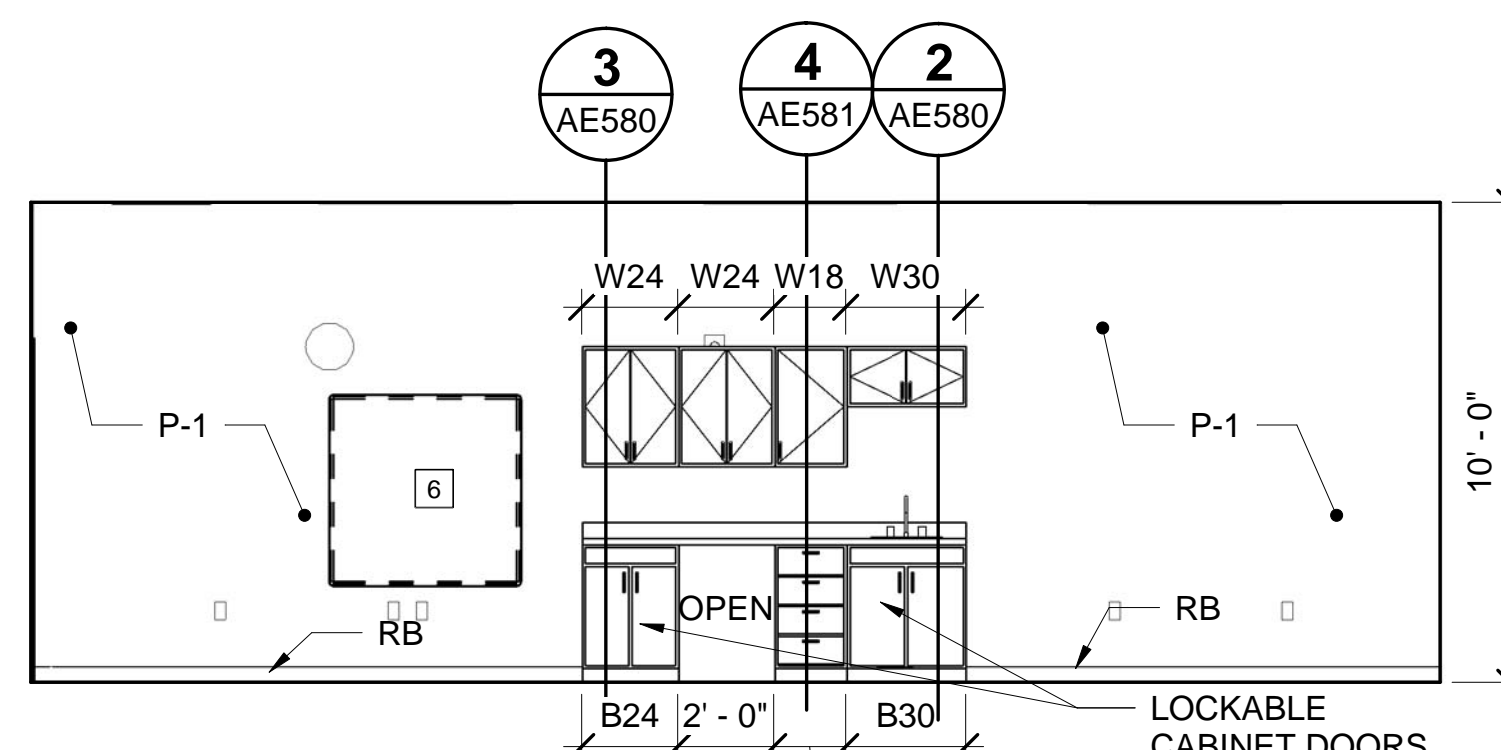
4 NURSE A11 - NORTH ELEV
AE101/AE740 SCALE: 1/4" = 1'-0"



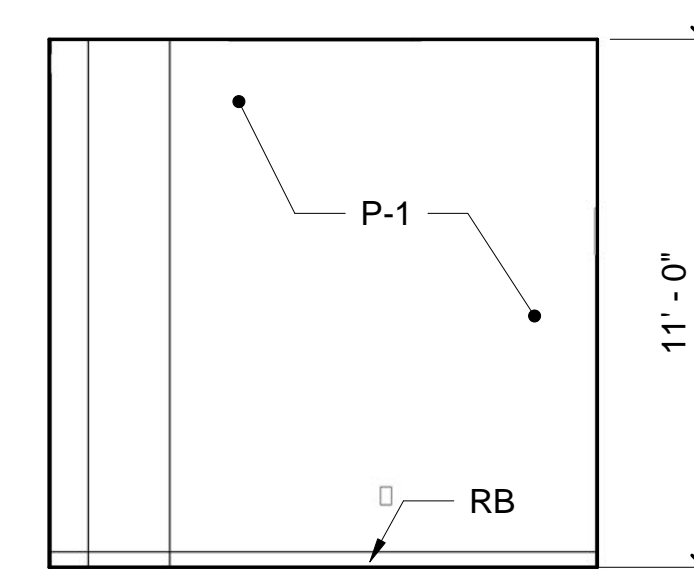
5 NURSE A11 - EAST ELEV
AE101/AE740 SCALE: 1/4" = 1'-0"



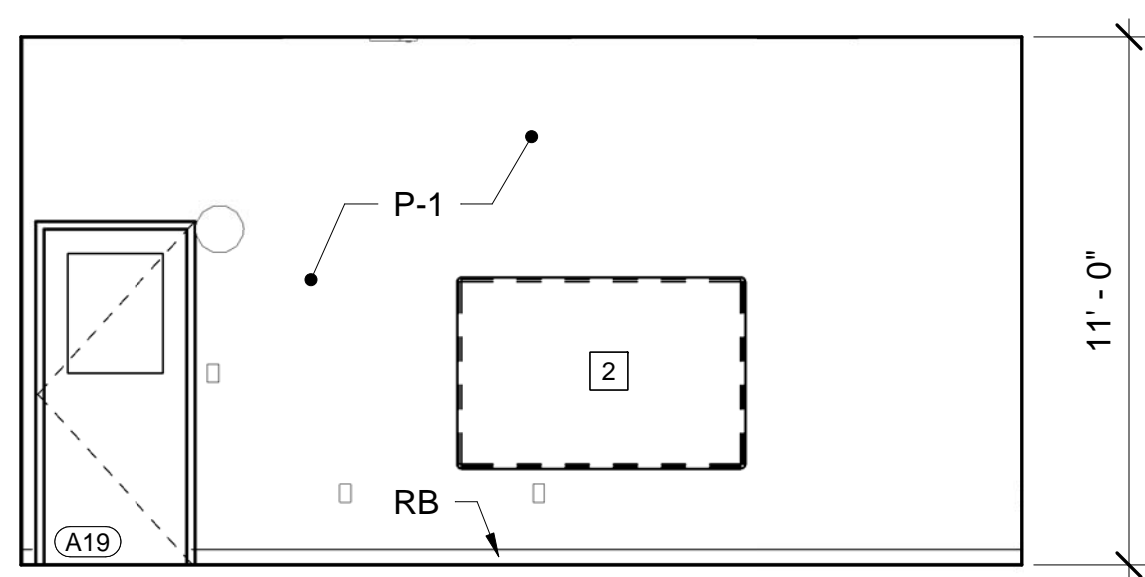
6 NURSE A11 - SOUTH ELEV
AE101/AE740 SCALE: 1/4" = 1'-0"



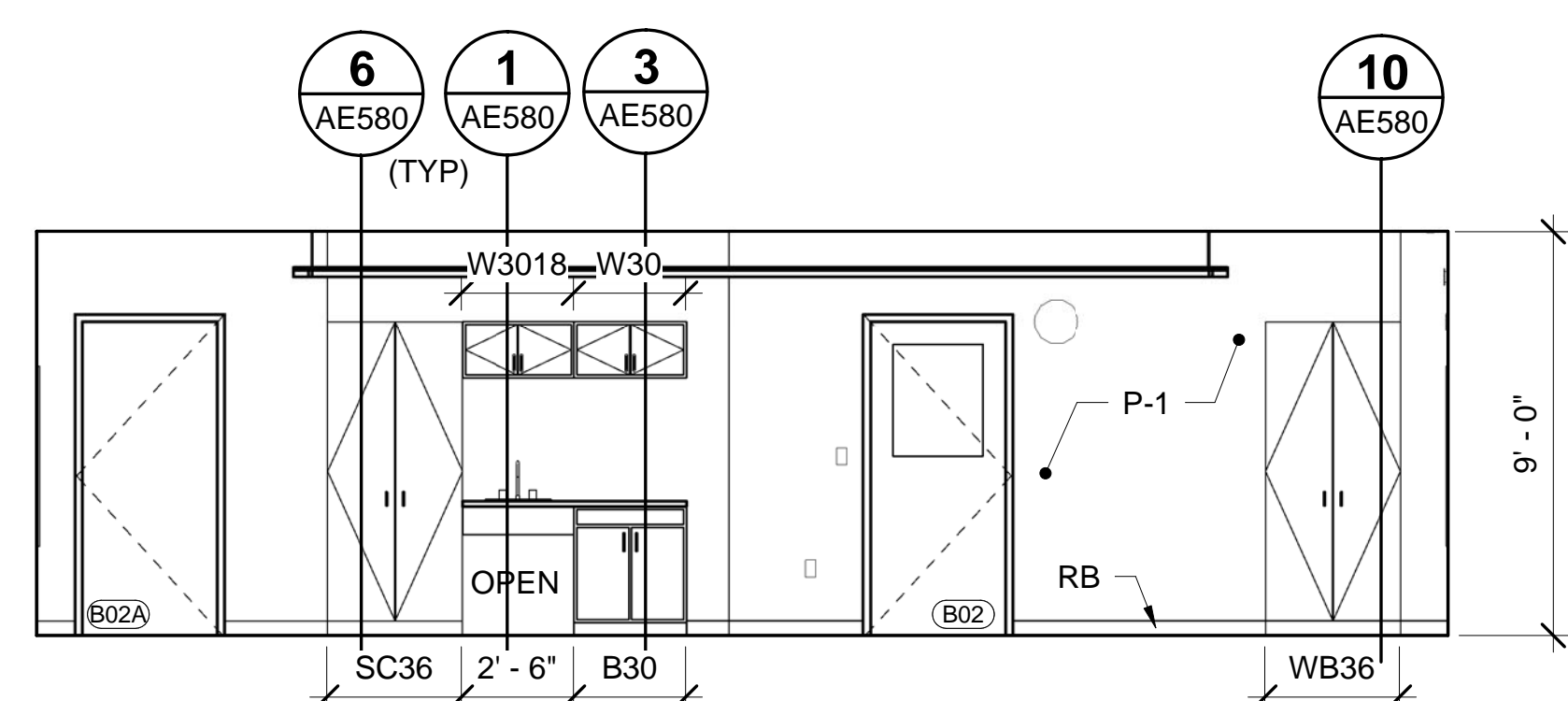
7 NURSE A11 - WEST ELEV
AE101/AE740 SCALE: 1/4" = 1'-0"



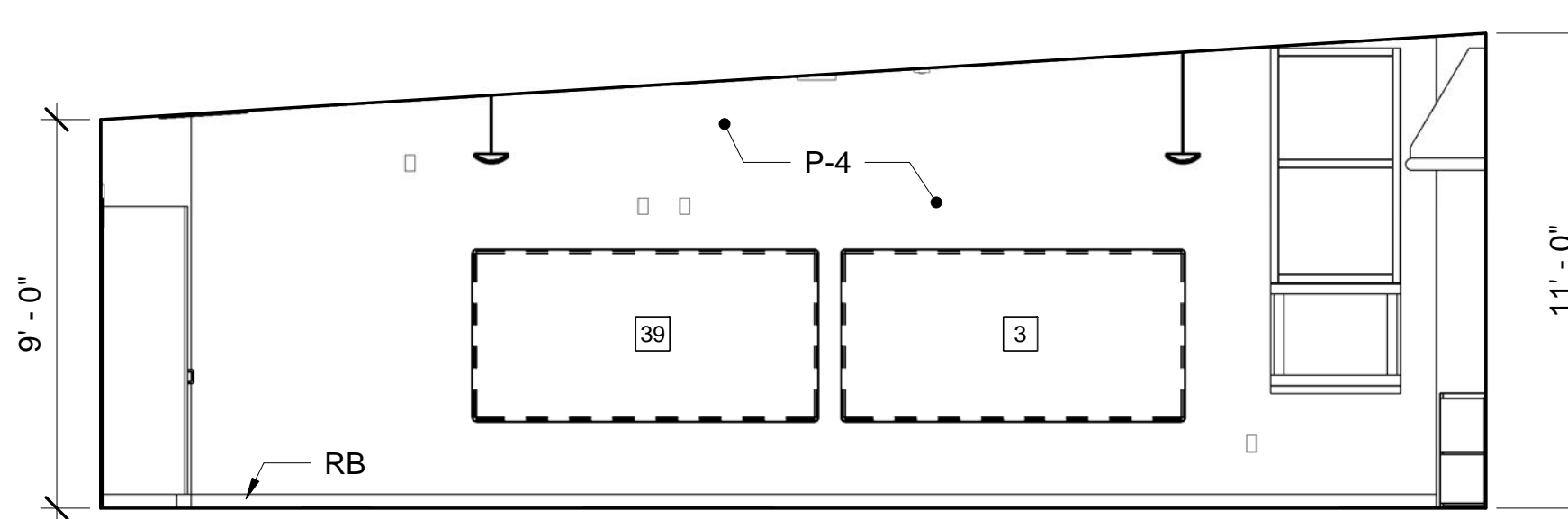
9 SMALL CONF A19 - NORTH ELEV
AE101/AE740 SCALE: 1/4" = 1'-0"



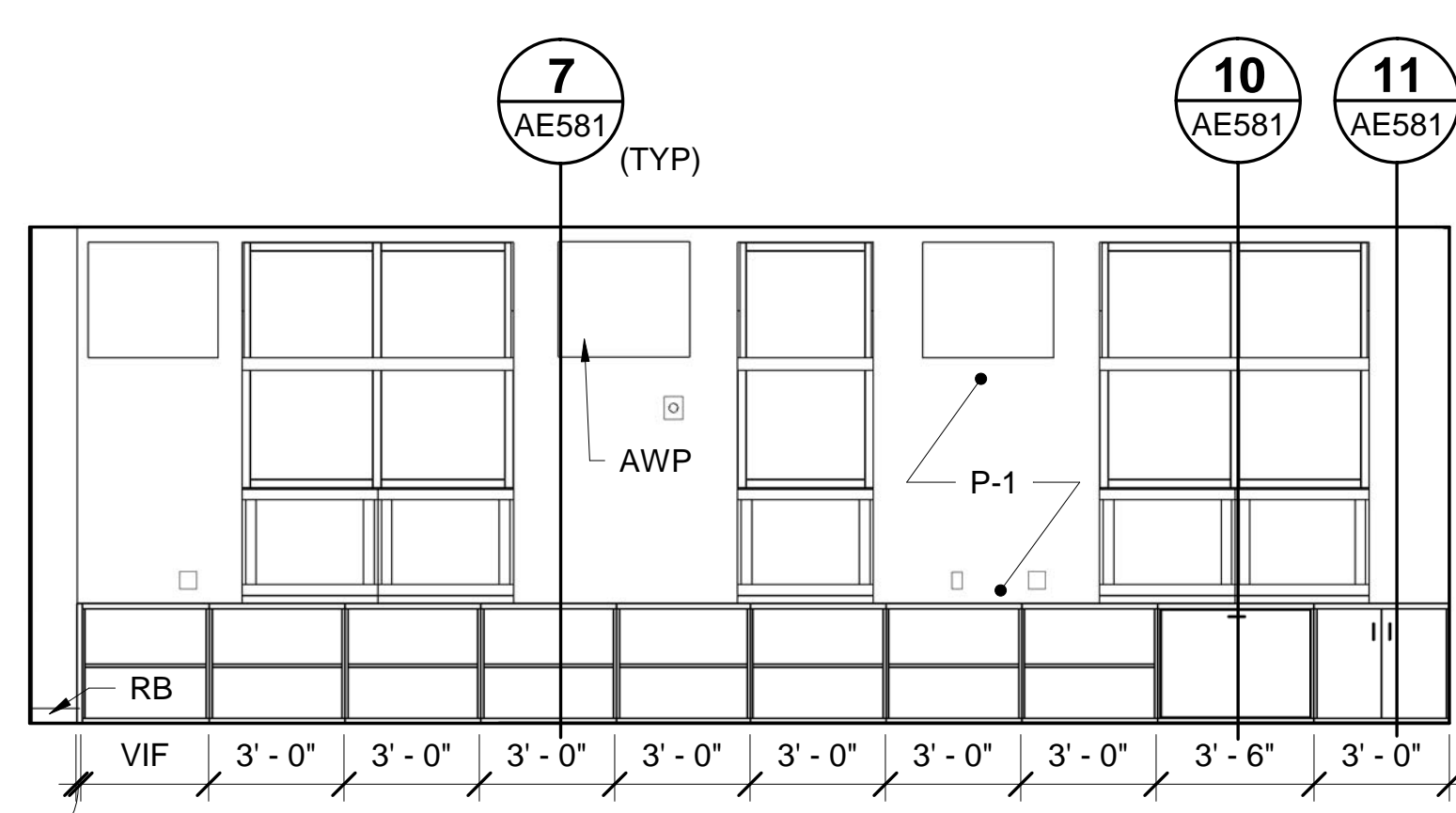
8 SMALL CONF A19 - EAST ELEV
AE101/AE740 SCALE: 1/4" = 1'-0"



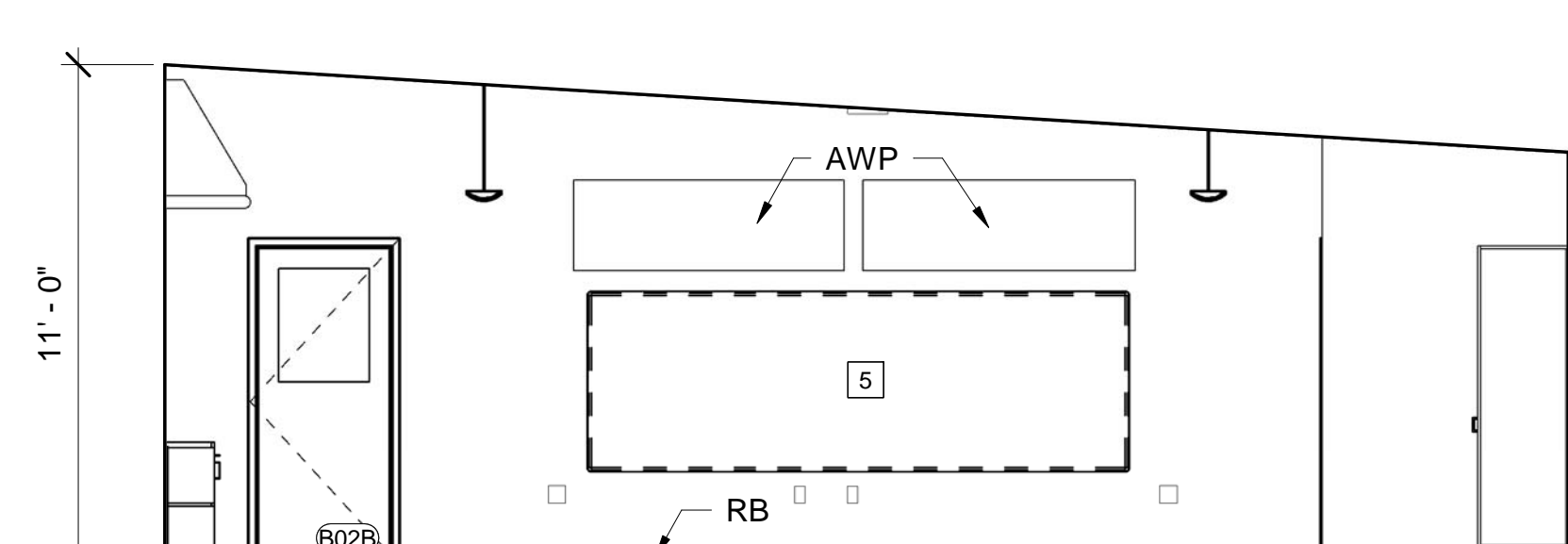
10 KINDERGARTEN B02 - NORTH ELEV
AE102/AE740 SCALE: 1/4" = 1'-0"



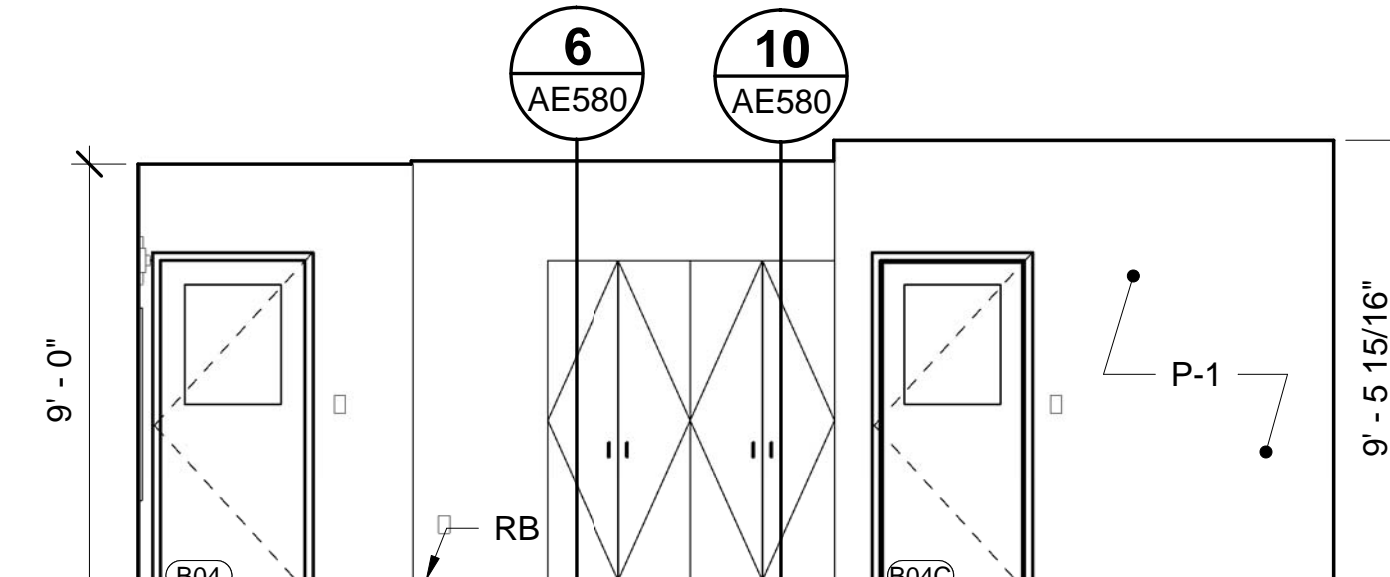
11 KINDERGARTEN B02 - EAST ELEV
AE102/AE740 SCALE: 1/4" = 1'-0"



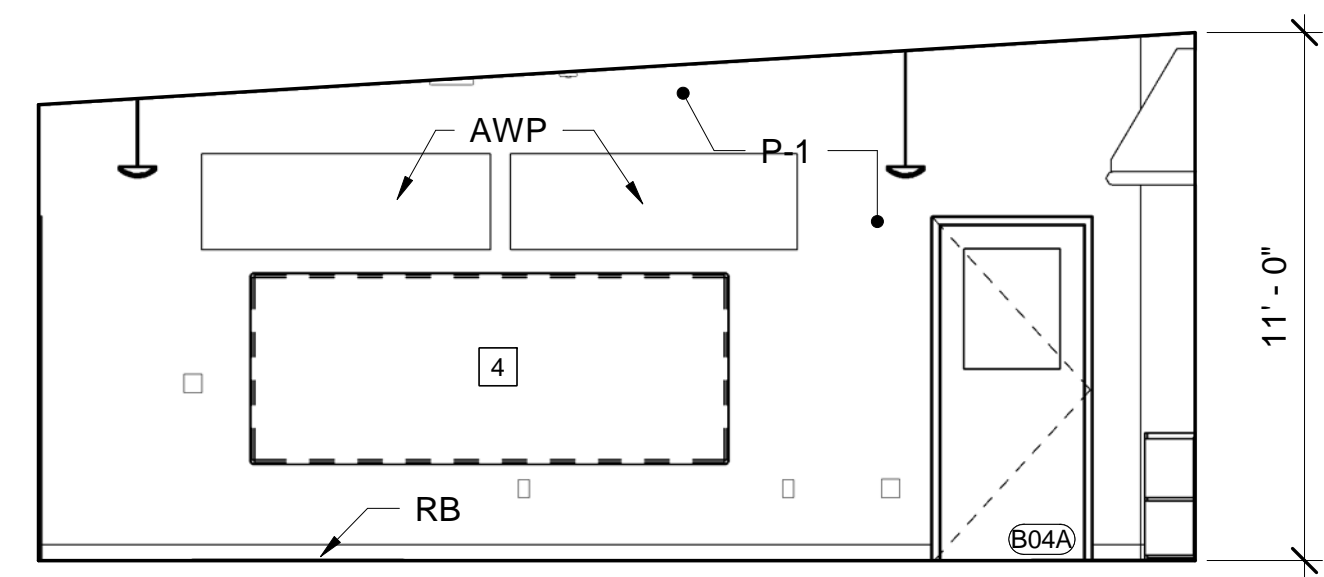
12 KINDERGARTEN B02 - SOUTH ELEV
AE102/AE740 SCALE: 1/4" = 1'-0"



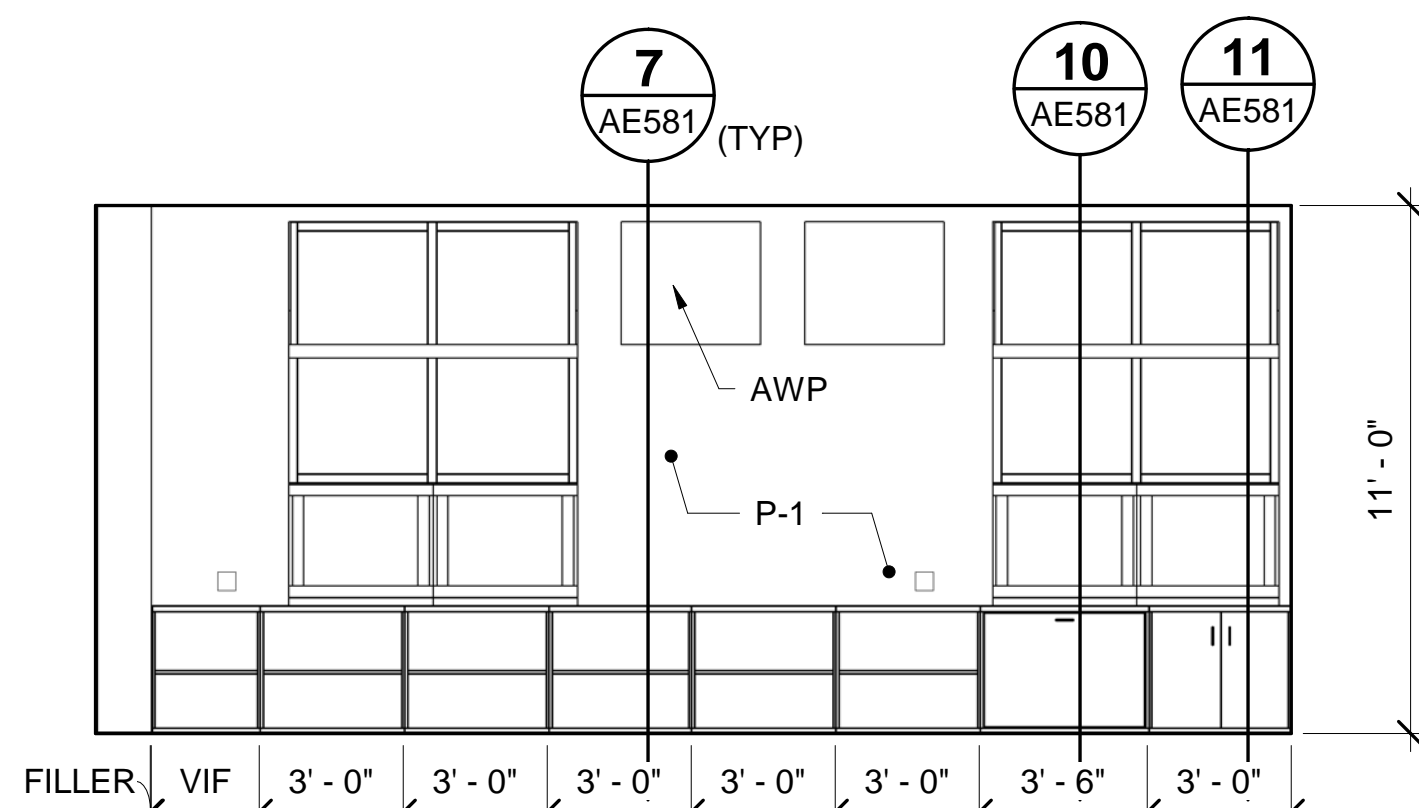
13 KINDERGARTEN B02 - WEST ELEV
AE102/AE740 SCALE: 1/4" = 1'-0"



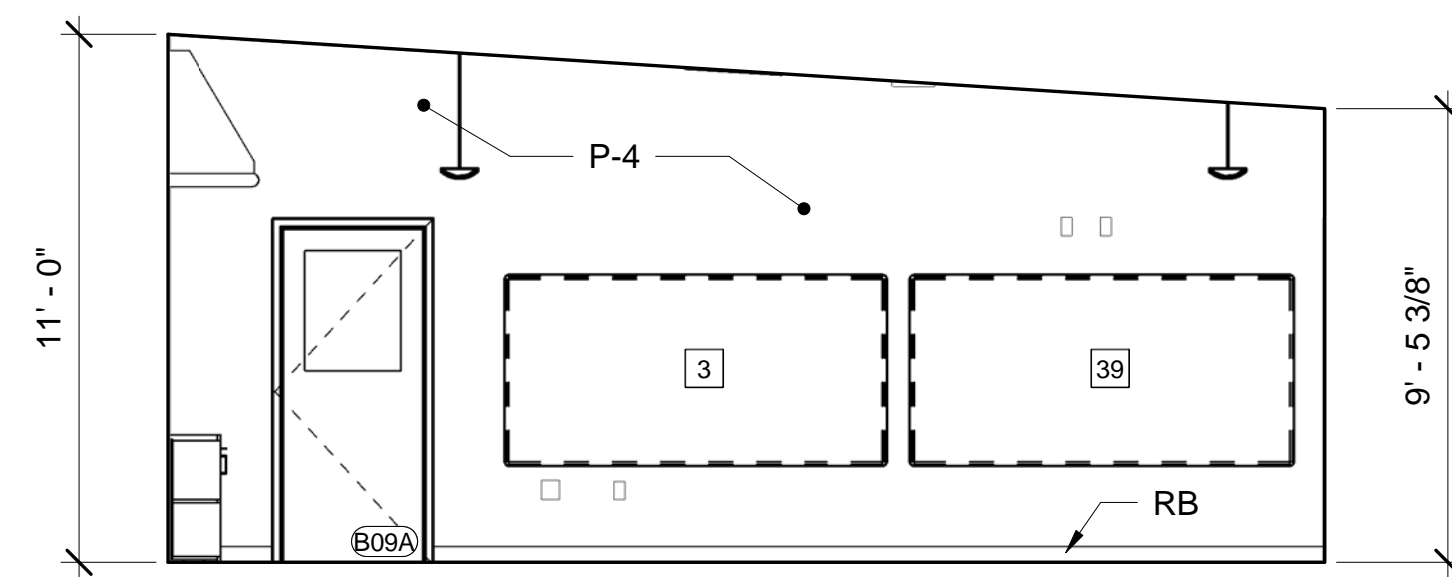
14 K-2 RESOURCE B04 - NORTH ELEV
AE102/AE740 SCALE: 1/4" = 1'-0"



15 K-2 RESOURCE B04 - EAST ELEV
AE102/AE740 SCALE: 1/4" = 1'-0"

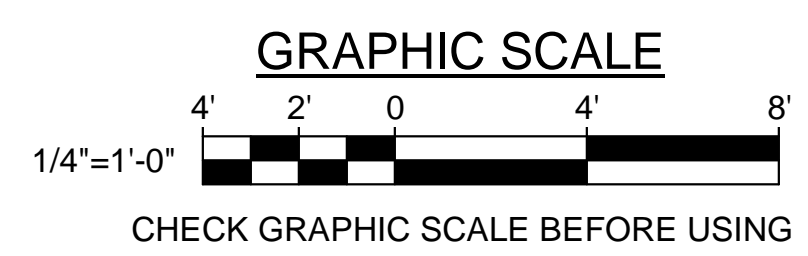


16 K-2 RESOURCE B04 - SOUTH ELEV
AE102/AE740 SCALE: 1/4" = 1'-0"



17 K-2 RESOURCE B04 - WEST ELEV
AE102/AE740 SCALE: 1/4" = 1'-0"

GENERAL NOTES:
1. SEE SHEET AE004 FOR KEYNOTES.



| | | |
|--------------------------------|-------------------------------|---|
| | | STATE OF MAINE PUBLIC SCHOOL PROJECT TITLE: PORTLAND PUBLIC SCHOOLS NEW FRED P. HALL ELEMENTARY SCHOOL LOCATION: 23 ORONO ROAD, PORTLAND, ME TITLE THIS DWG: INTERIOR ELEVATIONS |
| DRAWN BY: JGB CHECK BY: TGB | OAK POINT ASSOCIATES AE740 | DRAWING NO. SHEET NO. |
| NO. DATE REVISIONS | BY NO. DATE 03/17/17 | 200 OF 312 |