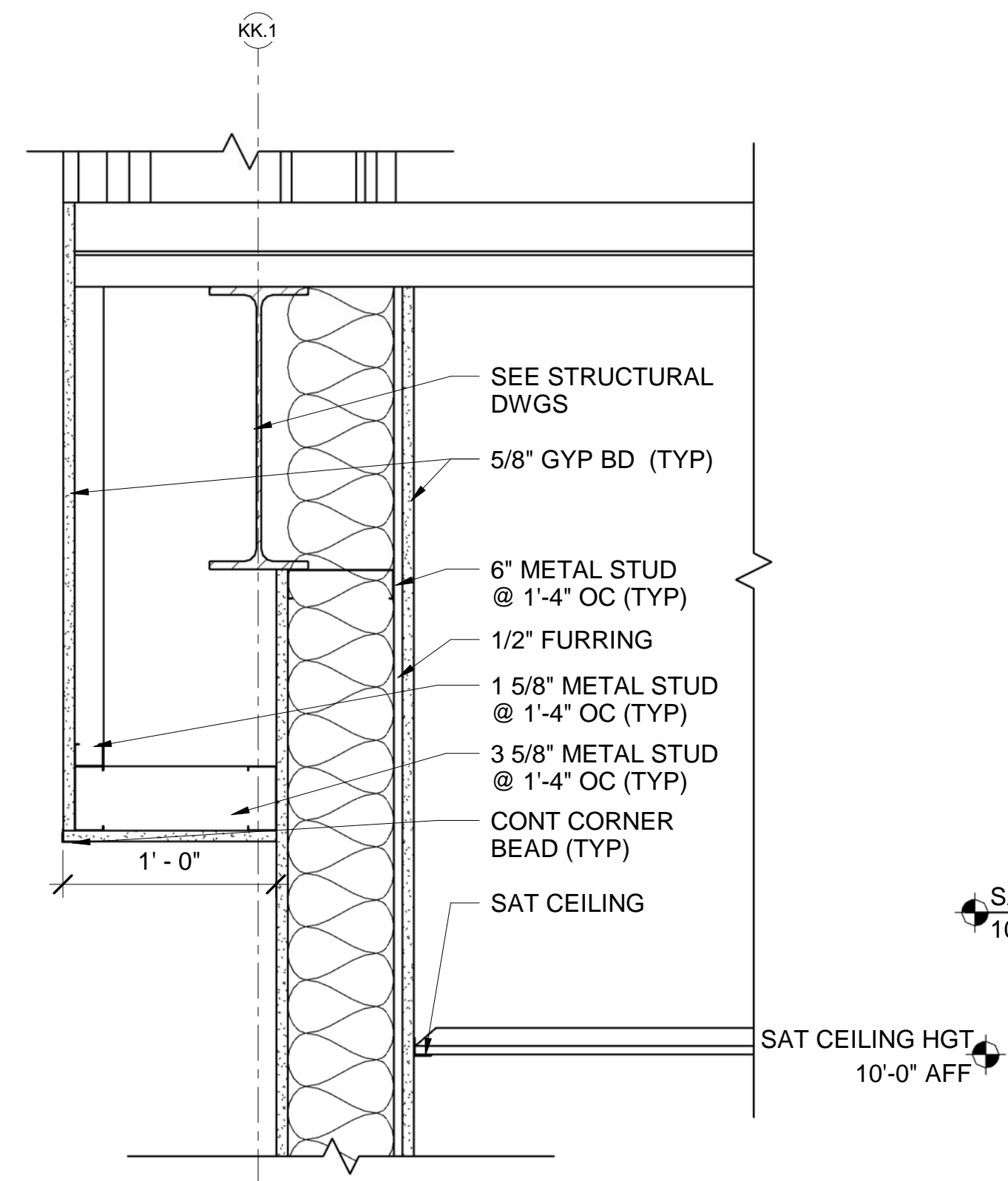
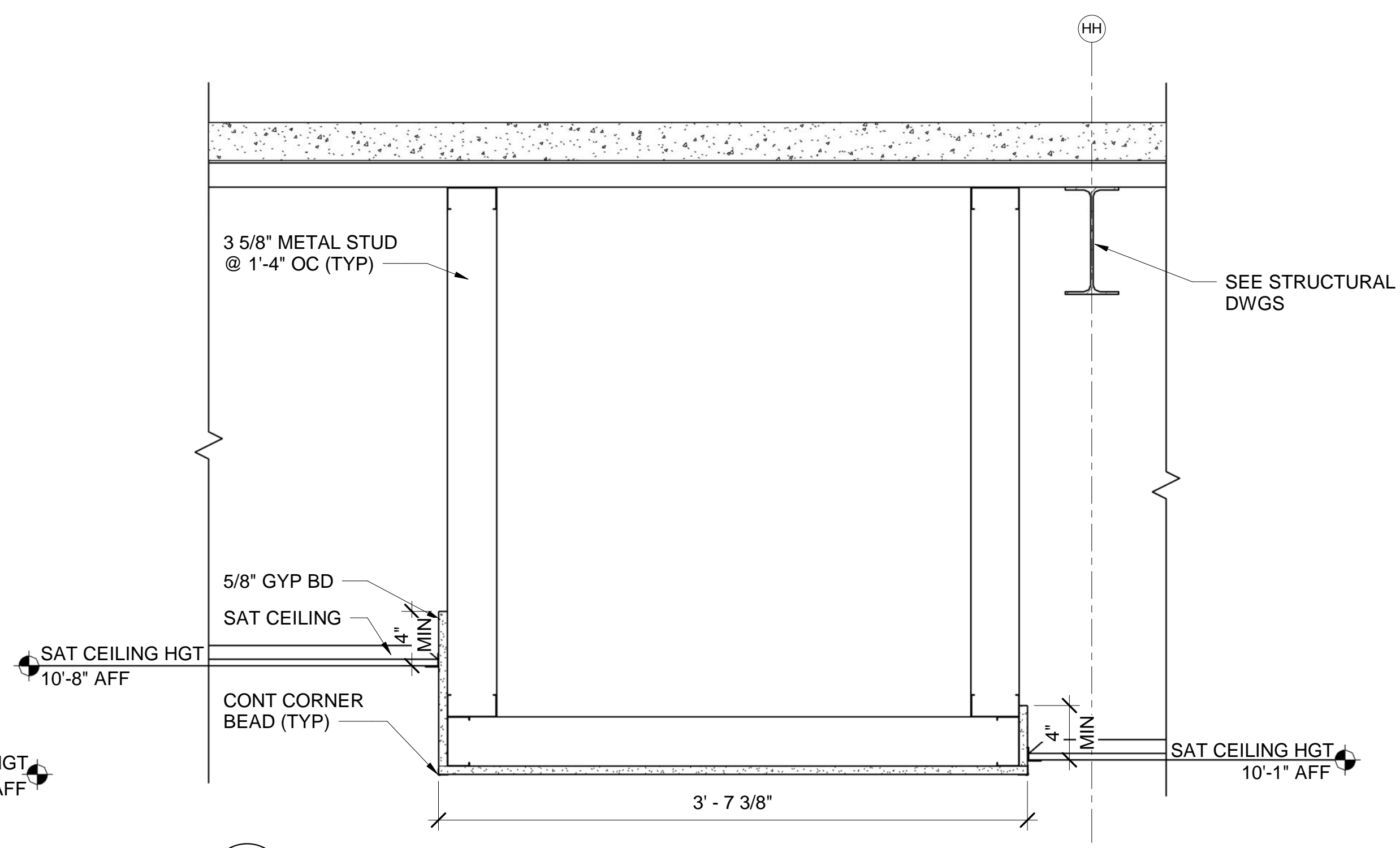


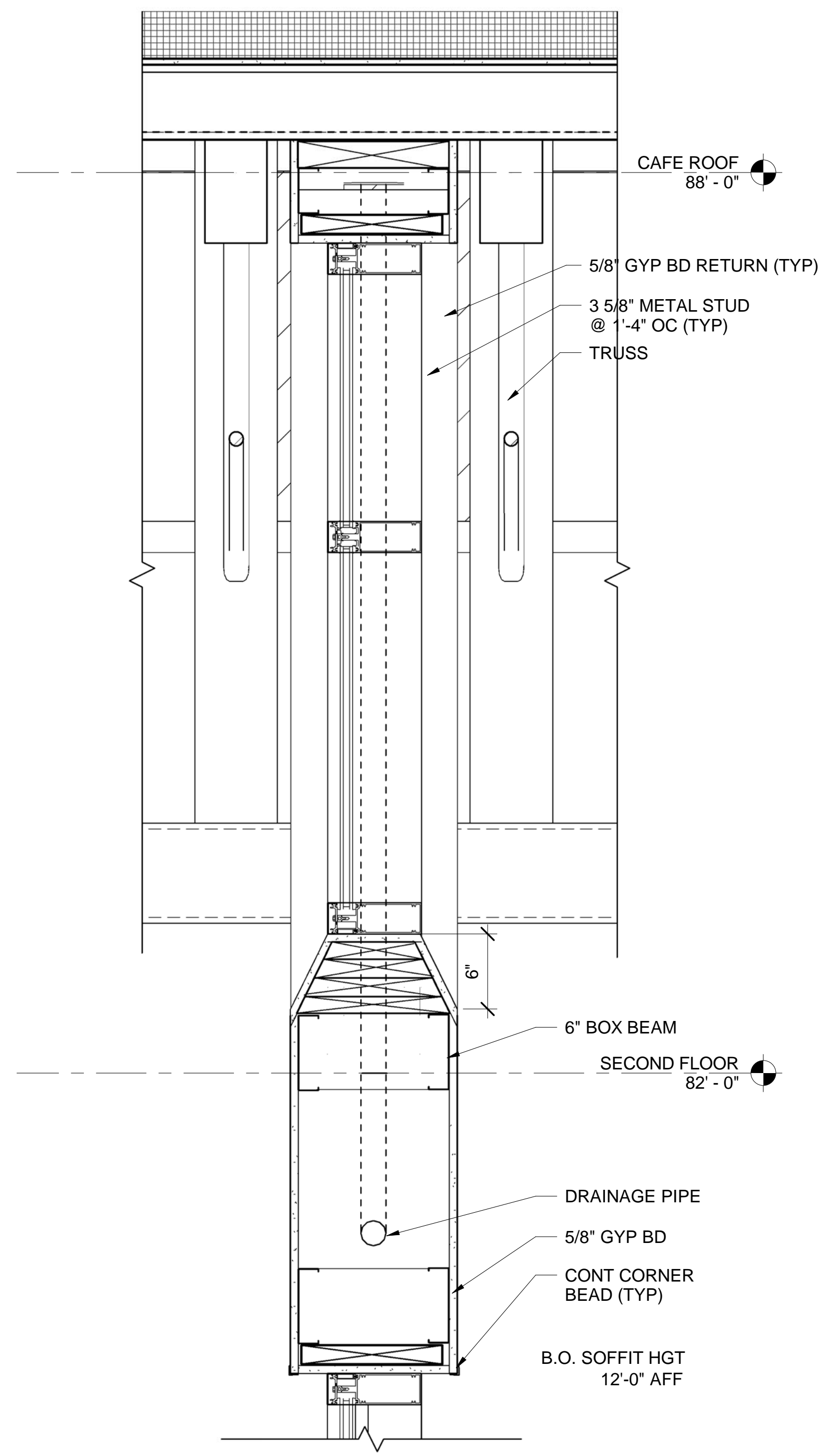
1 SOFFIT DETAIL- LIBRARY
 AE103 AE721 SCALE: 1 1/2" = 1'-0"



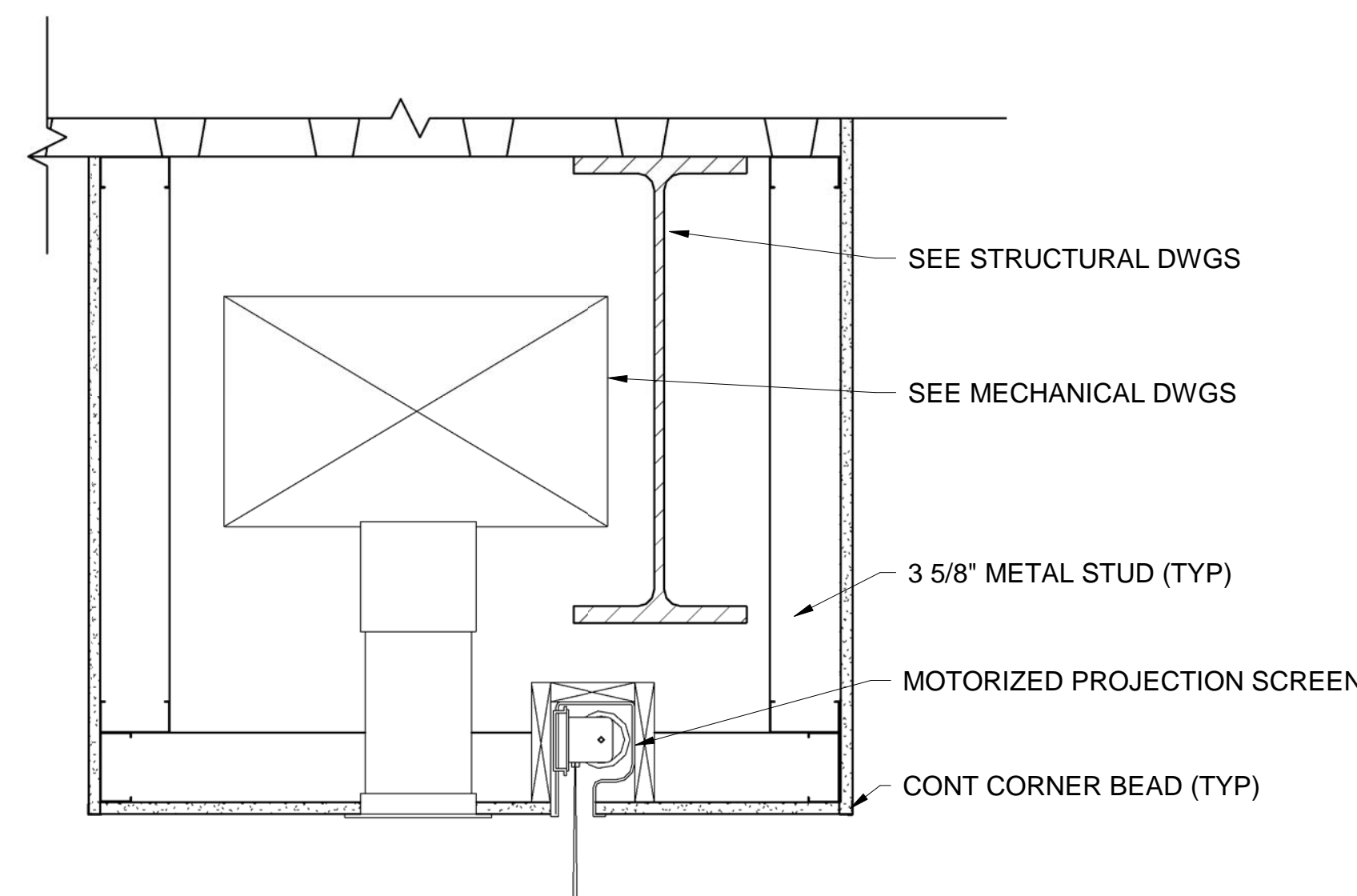
2 SOFFIT DETAIL- LIBRARY TO CORRIDOR
 AE221 AE721 SCALE: 1 1/2" = 1'-0"



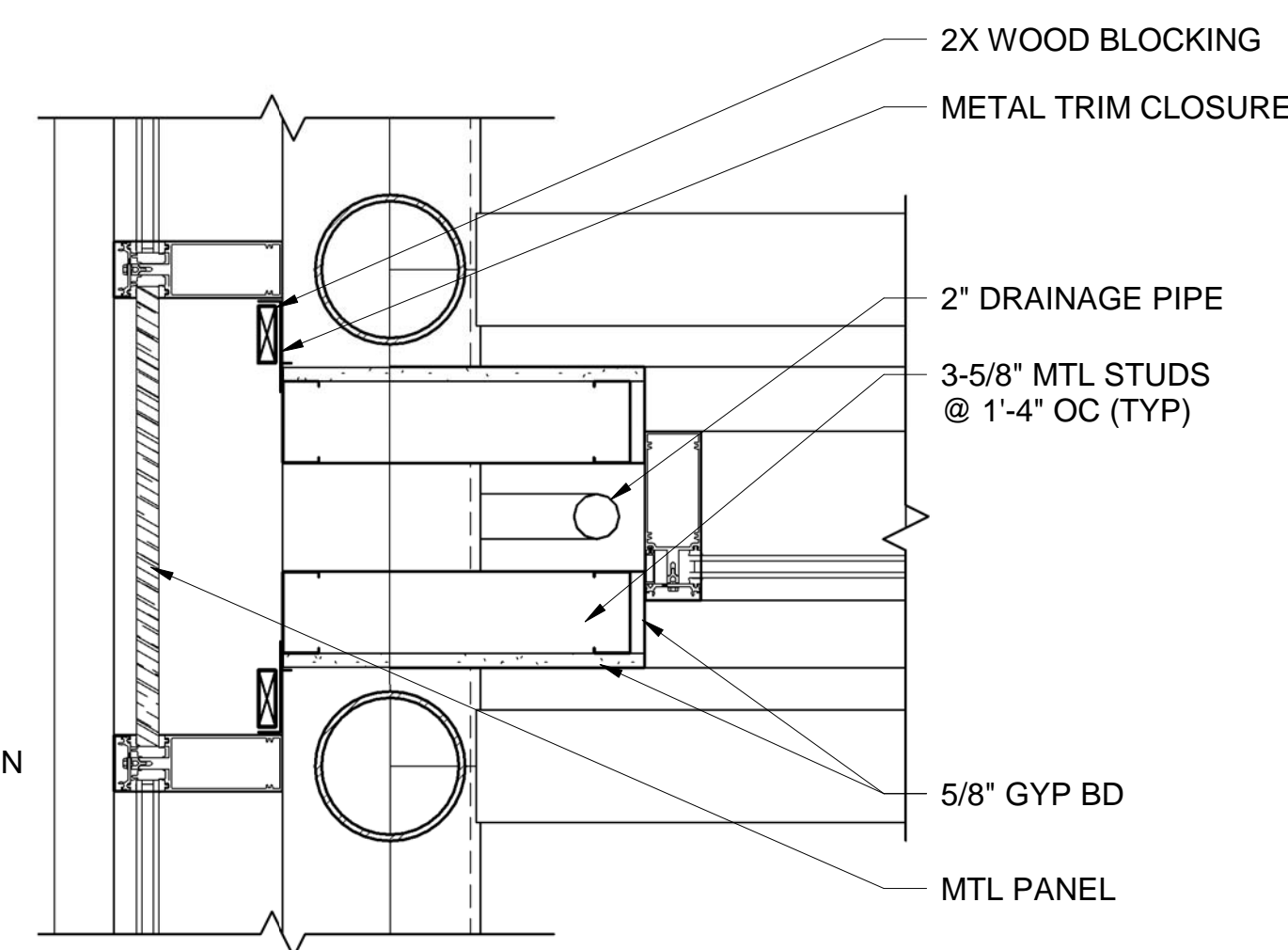
3 SOFFIT DETAIL CORRIDOR B13
 AE104 AE721 SCALE: 1 1/2" = 1'-0"



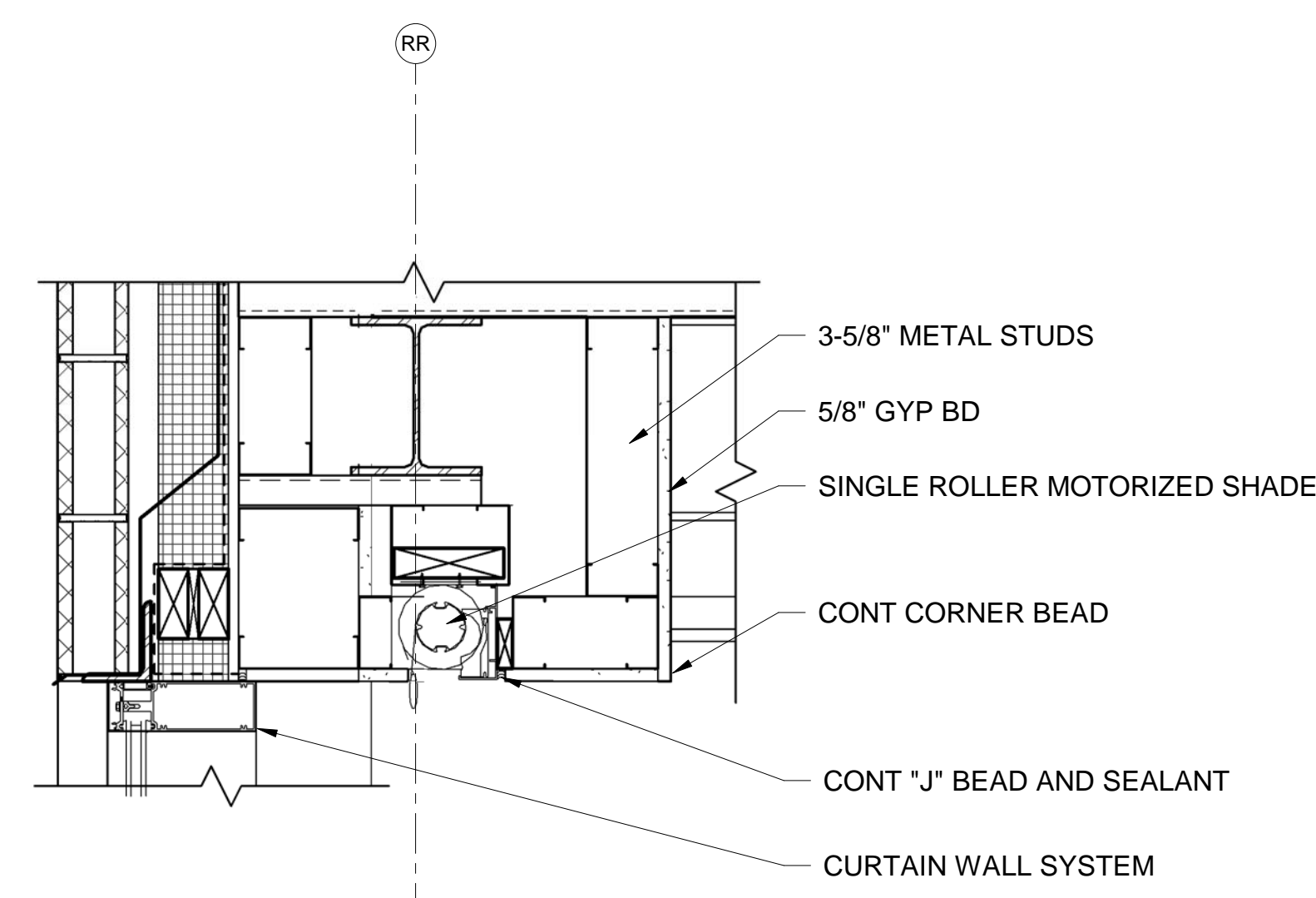
4 SOFFIT DETAIL VESTIBULE A01
 AE105 AE721 SCALE: 1 1/2" = 1'-0"



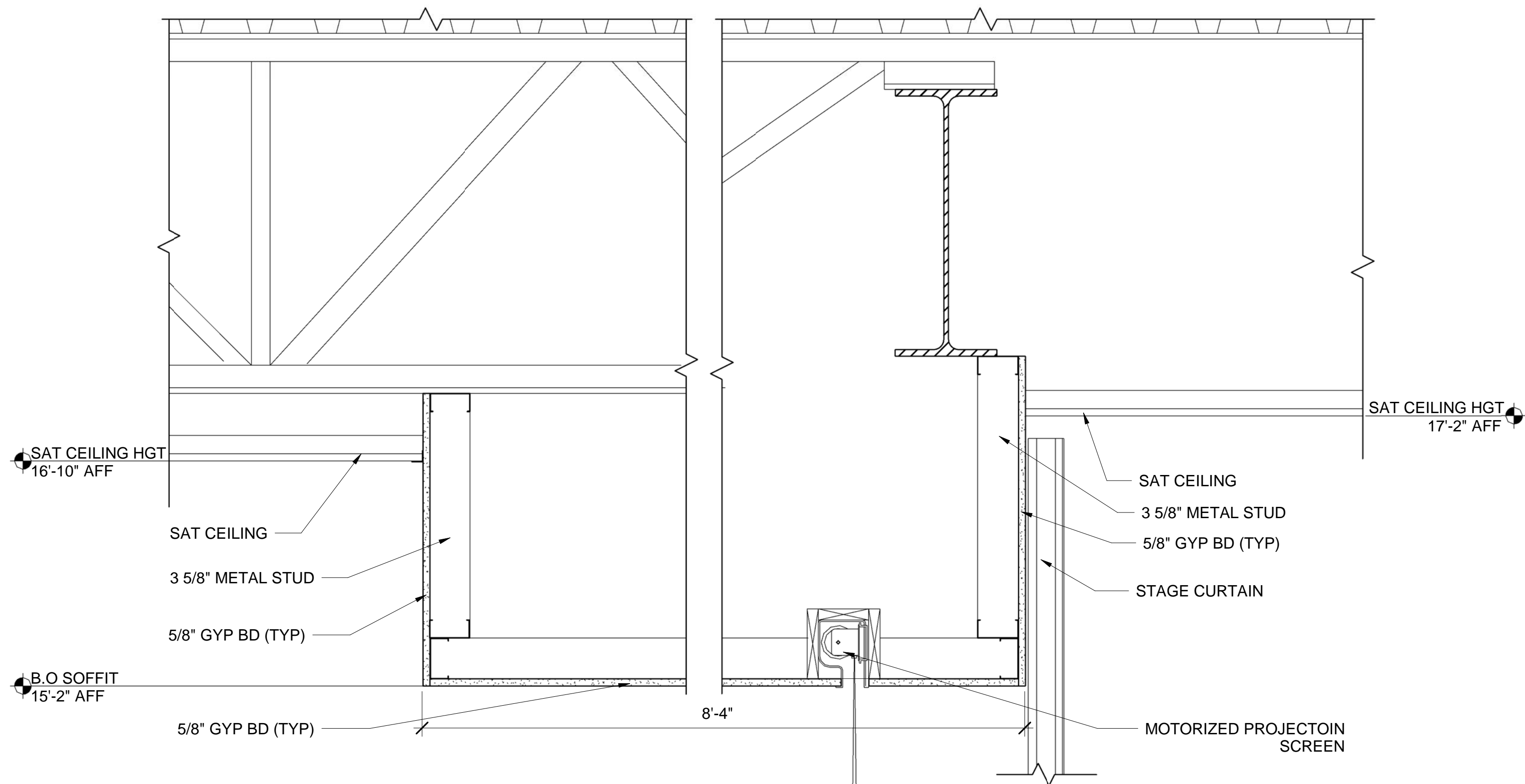
5 SOFFIT DETAIL - LIBRARY MIDDLE
 AE104 AE721 SCALE: 1 1/2" = 1'-0"



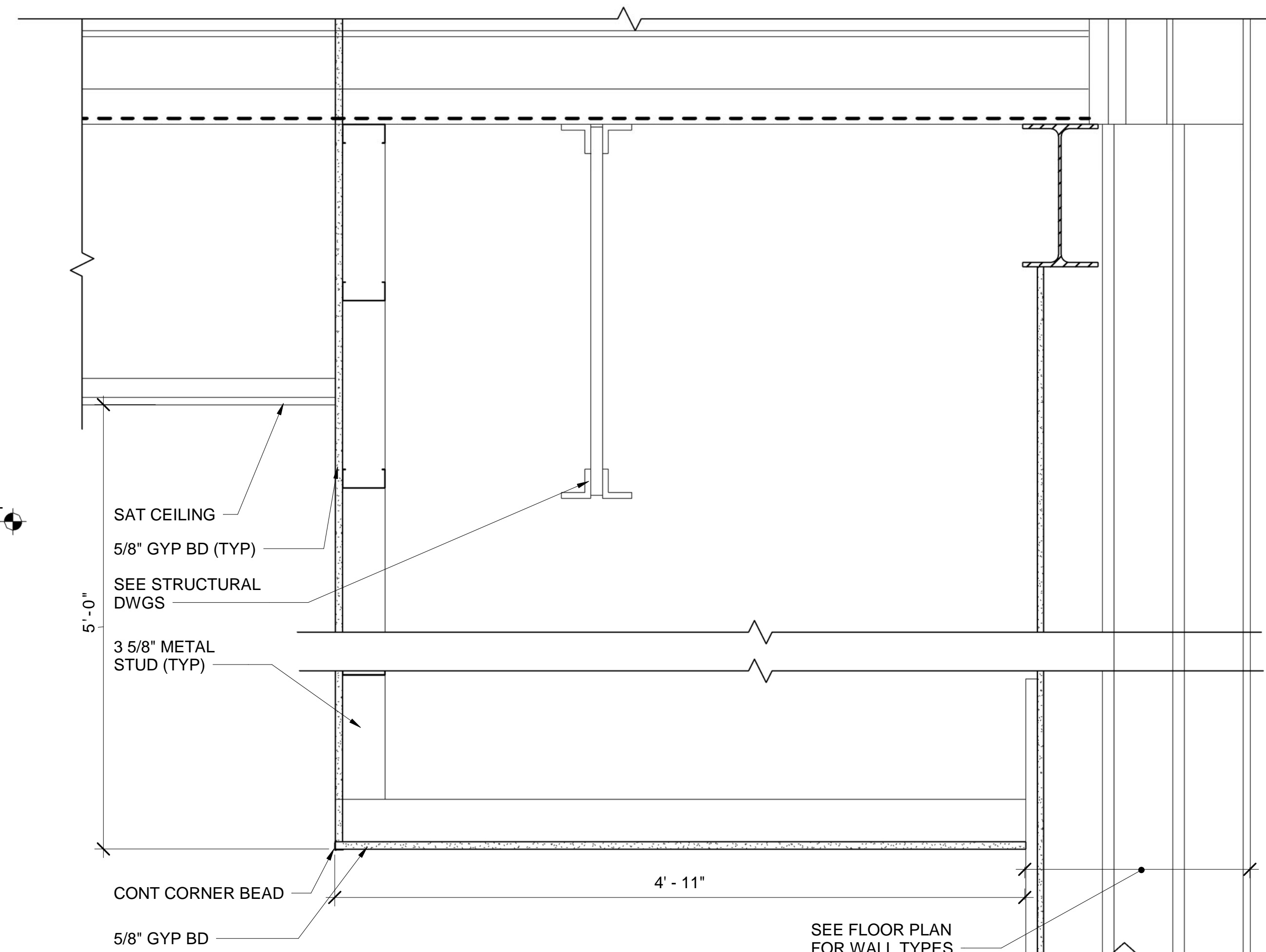
9 LOBBY SOFFIT PLAN DETAIL
 AE105 AE721 SCALE: 1 1/2" = 1'-0"



10 MOTORIZED WINDOW SHADE DETAIL
 AE313 AE721 SCALE: 1 1/2" = 1'-0"



6 SOFFIT DETAIL - PROSCENIUM
 AE105 AE721 SCALE: 1 1/2" = 1'-0"



7 SOFFIT DETAIL- CAFETERIA EAST
 AE104 AE721 SCALE: 1 1/2" = 1'-0"

		STATE OF MAINE PUBLIC SCHOOL PROJECT TITLE: PORTLAND PUBLIC SCHOOLS NEW FRED P. HALL ELEMENTARY SCHOOL LOCATION: 23 ORONO ROAD, PORTLAND, ME TITLE THIS DWG.: SOFFIT DETAILS 2
DRAWN BY: SJM CHECK BY: TGB	OAK POINT ARCHITECTS AE721	DRAWING NO. SHEET NO.
NO. DATE DESCRIPTION BY NO.	REVISIONS DATE 03/17/17	231 Main Street, Biddeford, Maine 04005 207.283.9192 199 OF 312