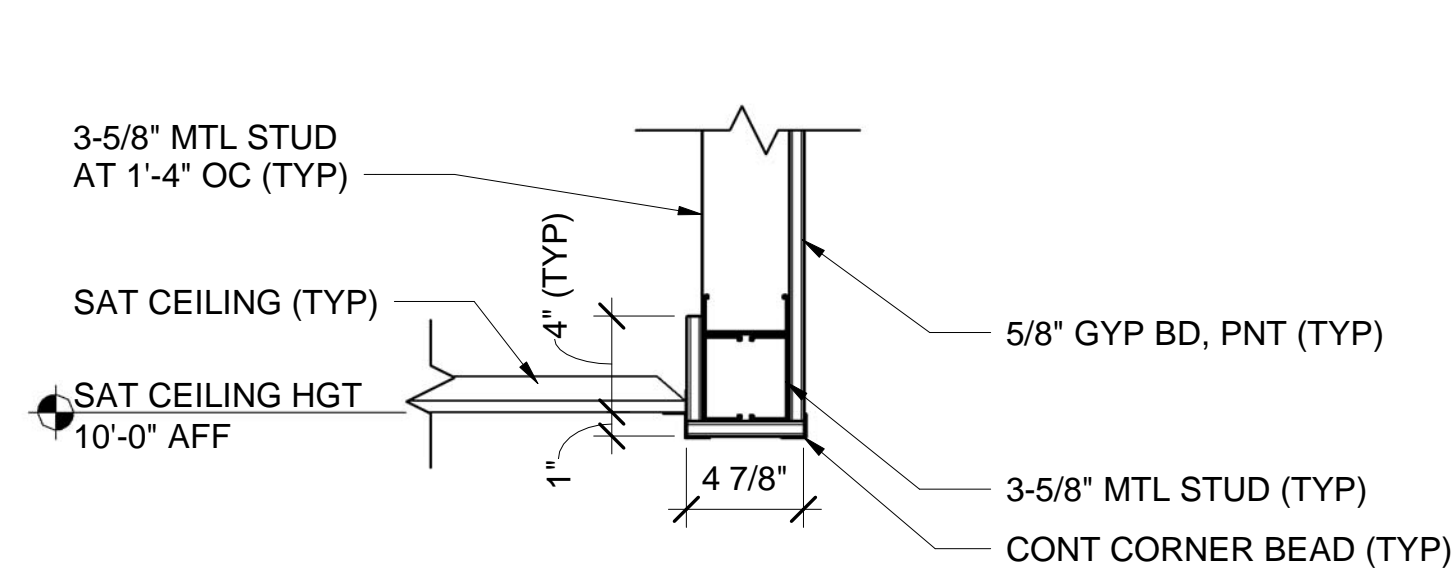
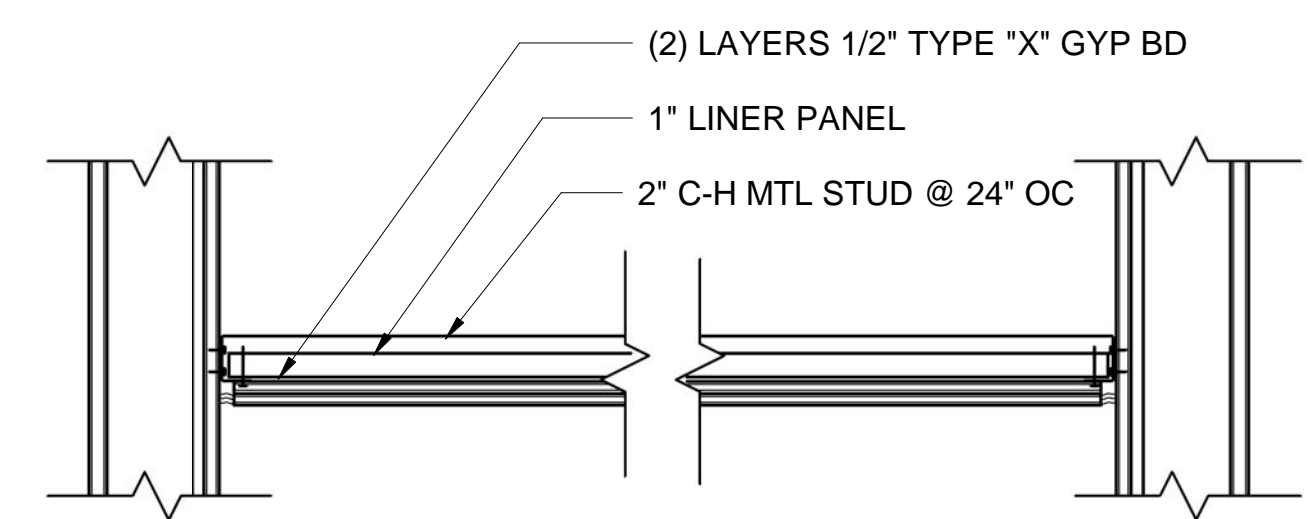


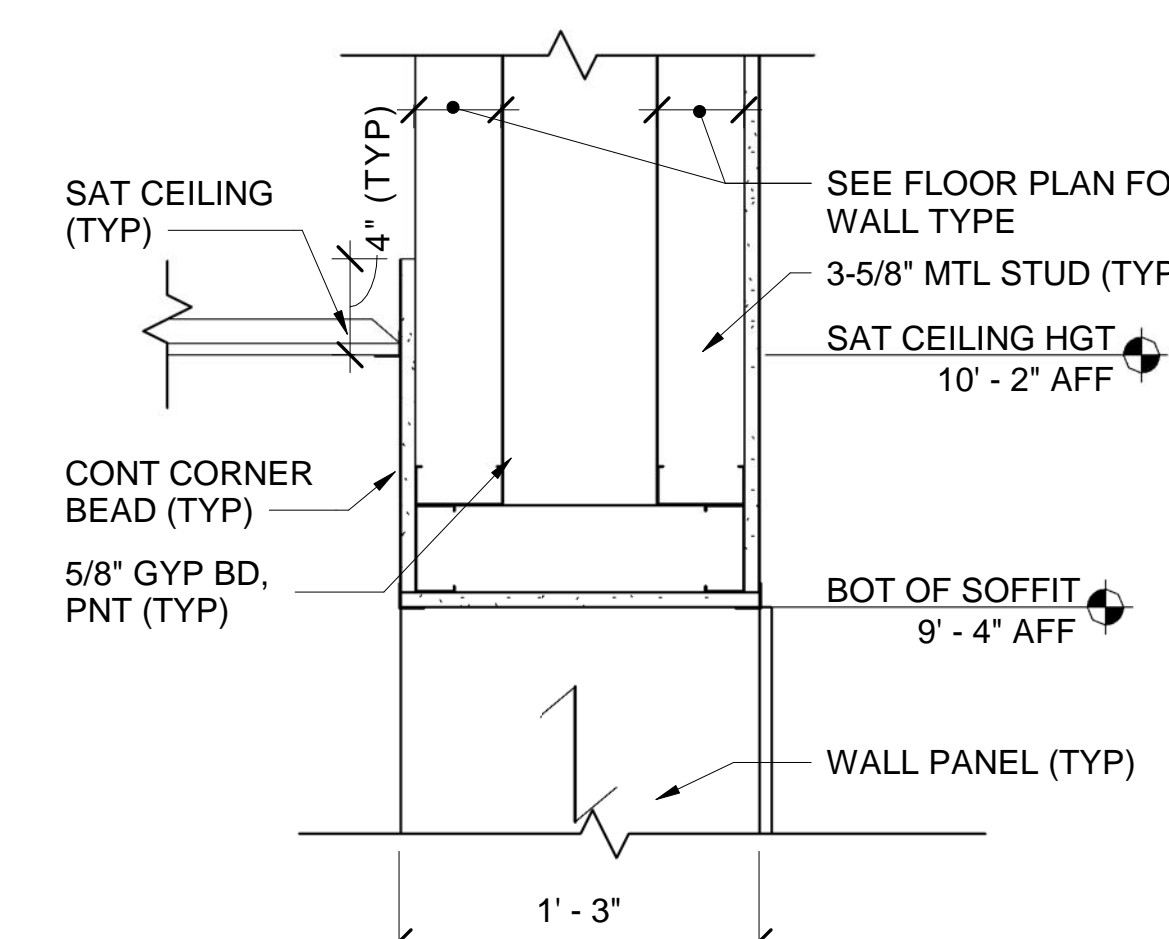
1 MTL STUD SOFFIT DETAIL 3
AE701/AE720 SCALE: 1 1/2" = 1'-0"



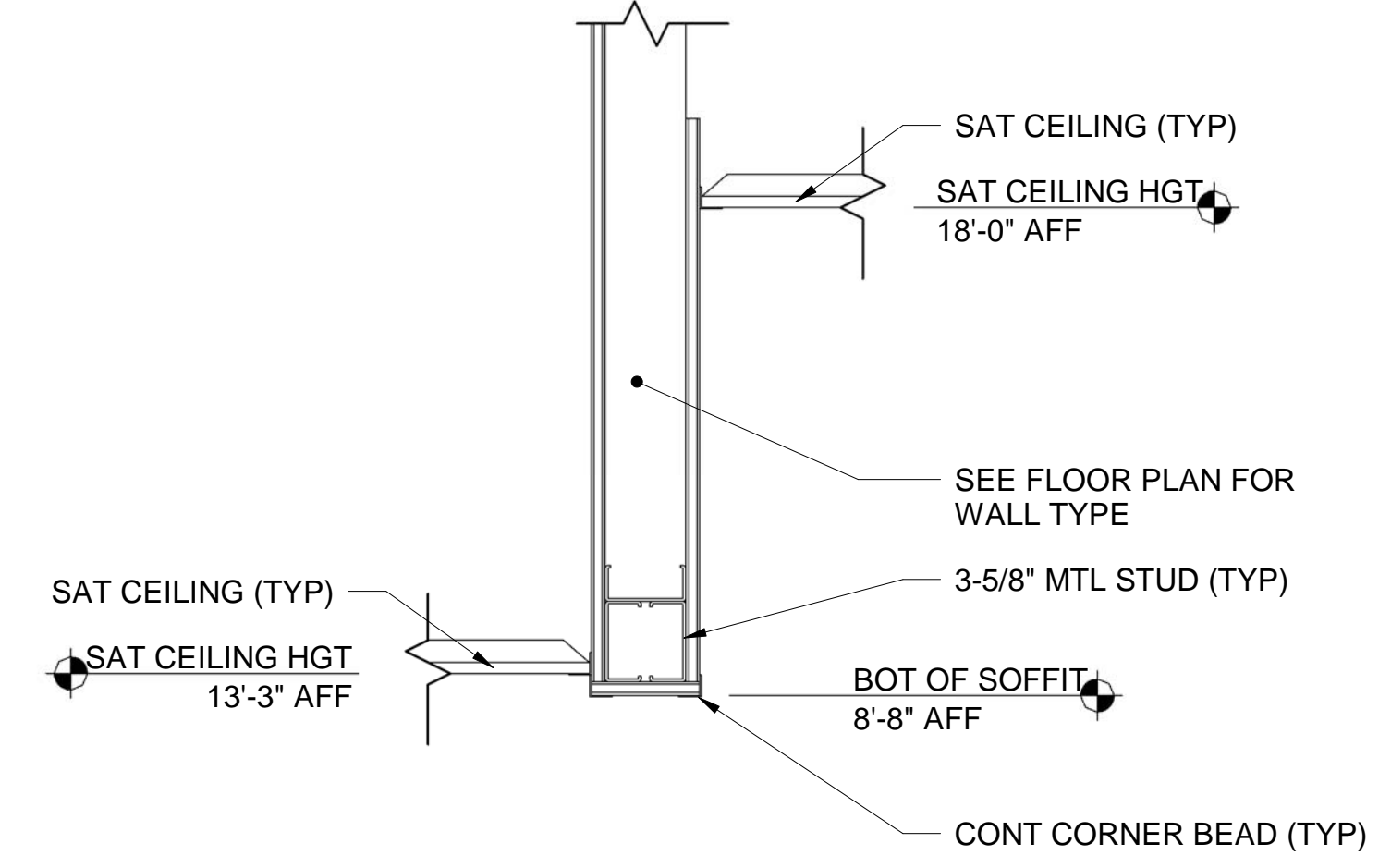
2 MTL STUD SOFFIT DETAIL 5
AE701/AE720 SCALE: 1 1/2" = 1'-0"



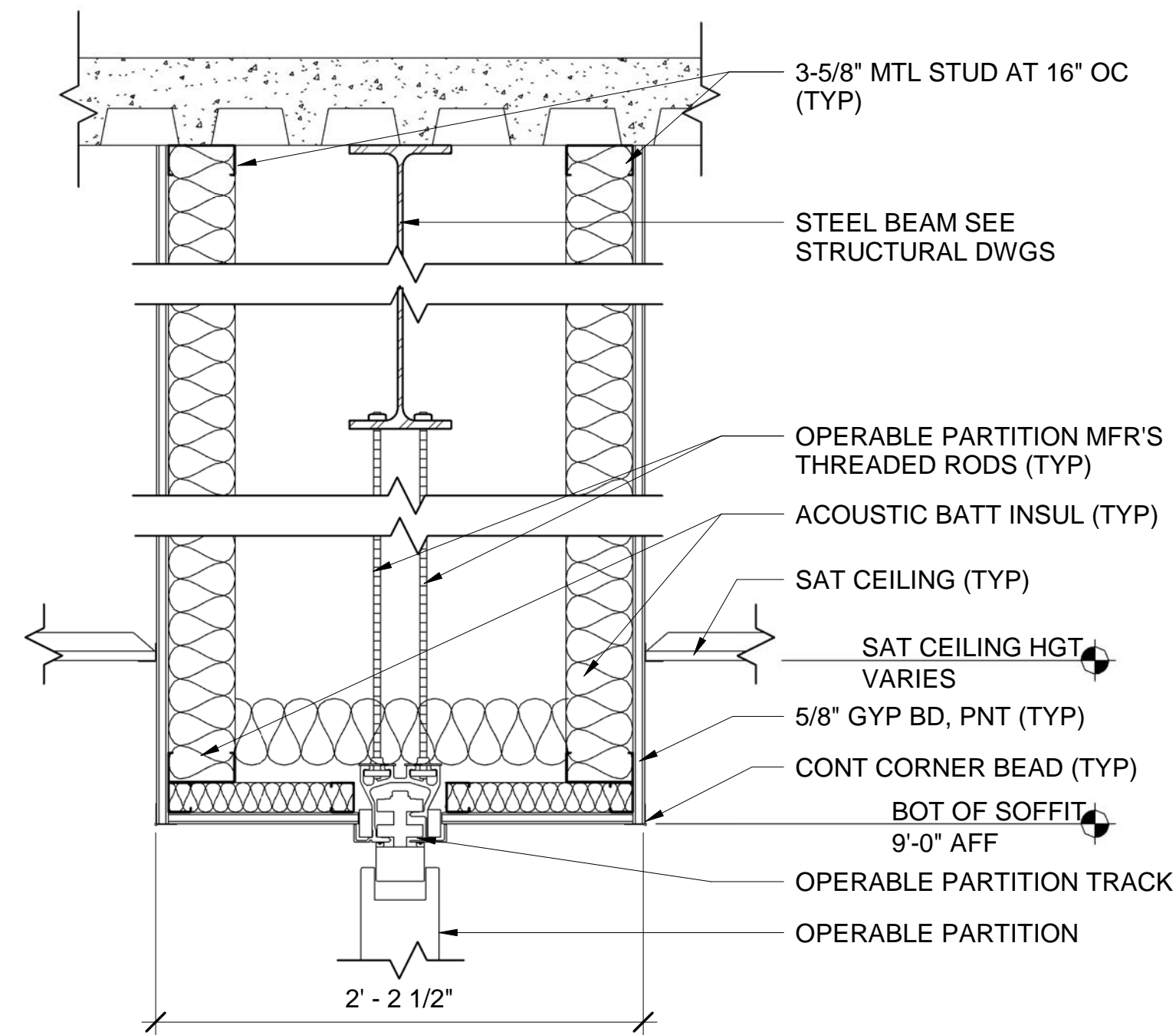
3 SHAFT WALL / CLG DETAIL
AE703/AE720 SCALE: 1 1/2" = 1'-0"



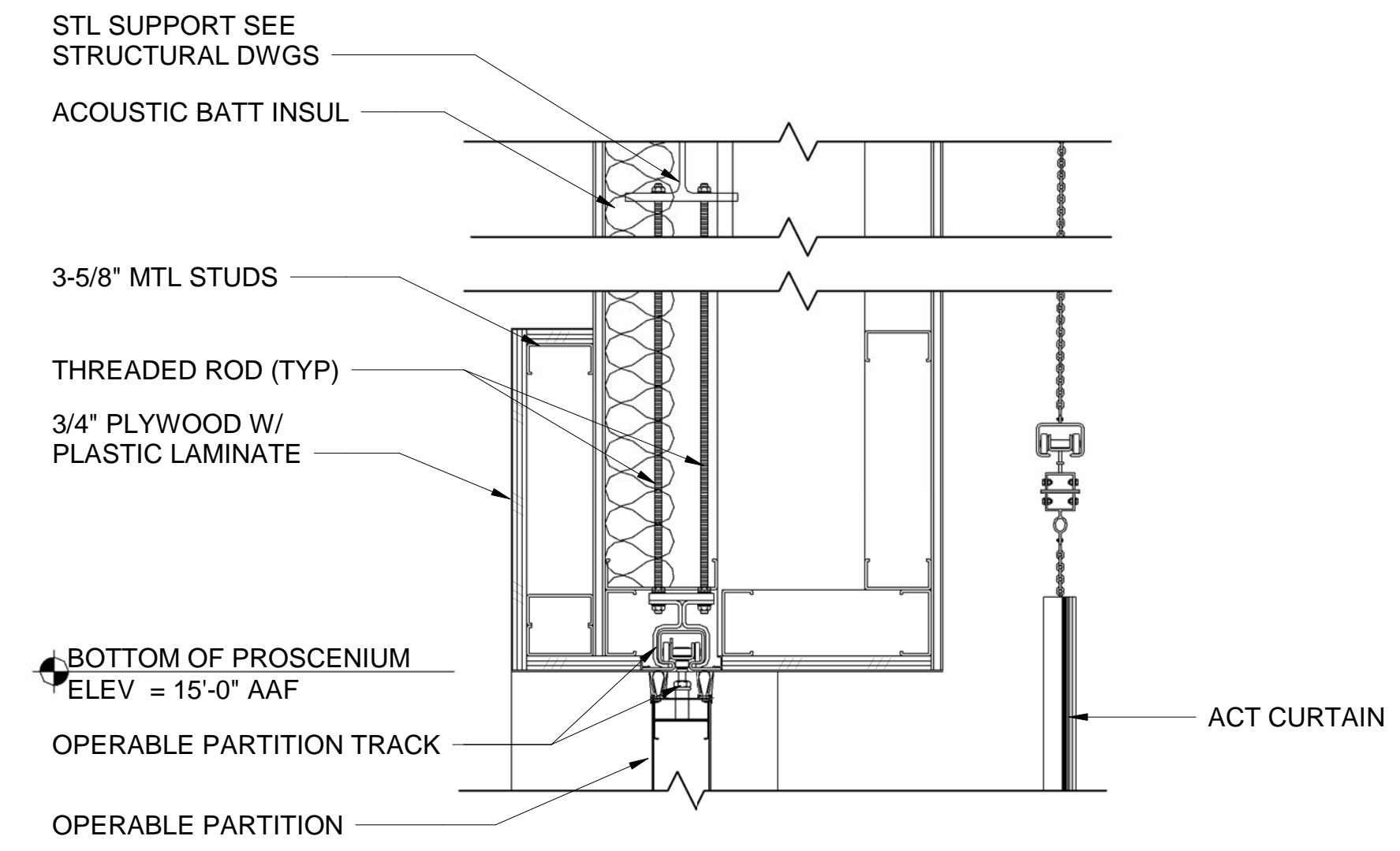
4 SOFFIT DETAIL LOBBY A02
AE403/AE720 SCALE: 1 1/2" = 1'-0"



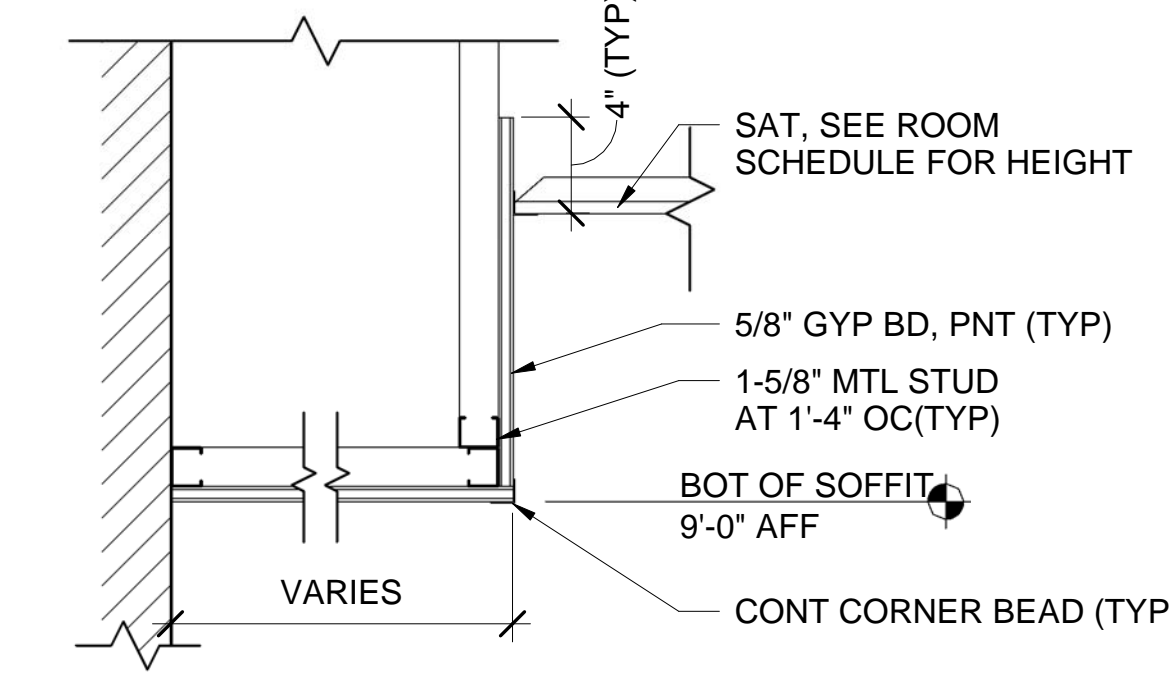
5 MTL STUD SOFFIT DETAIL 7
AE702/AE720 SCALE: 1 1/2" = 1'-0"



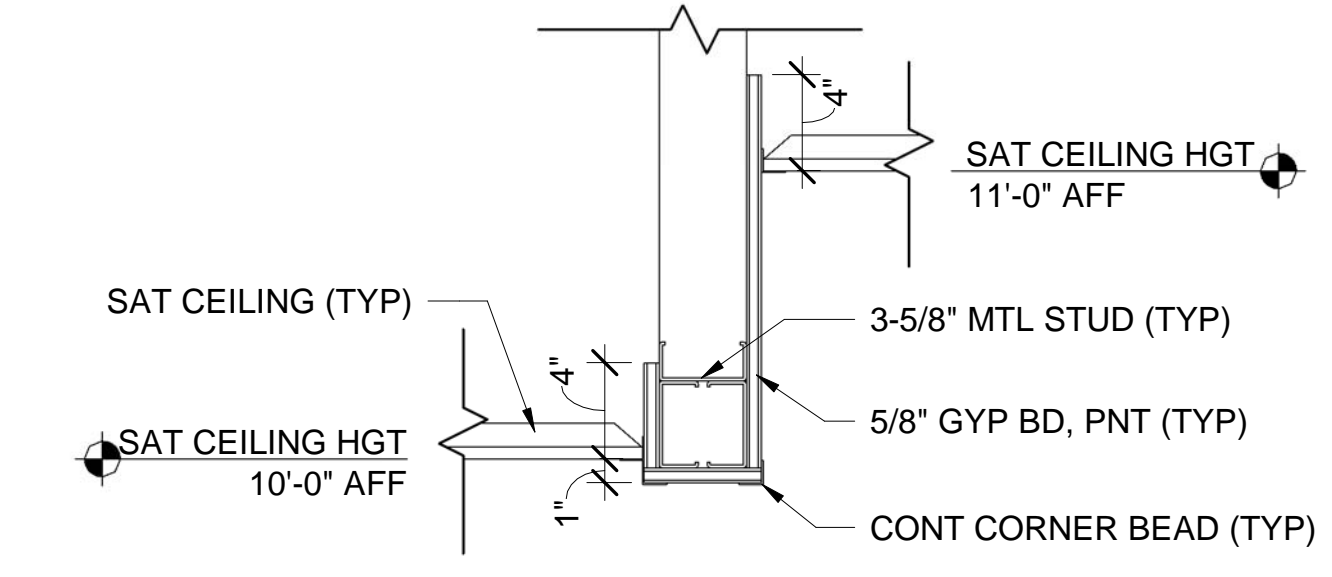
6 CLASSROOM - OPERABLE PARTITION HEAD DETAIL
AE549/AE720 SCALE: 1 1/2" = 1'-0"



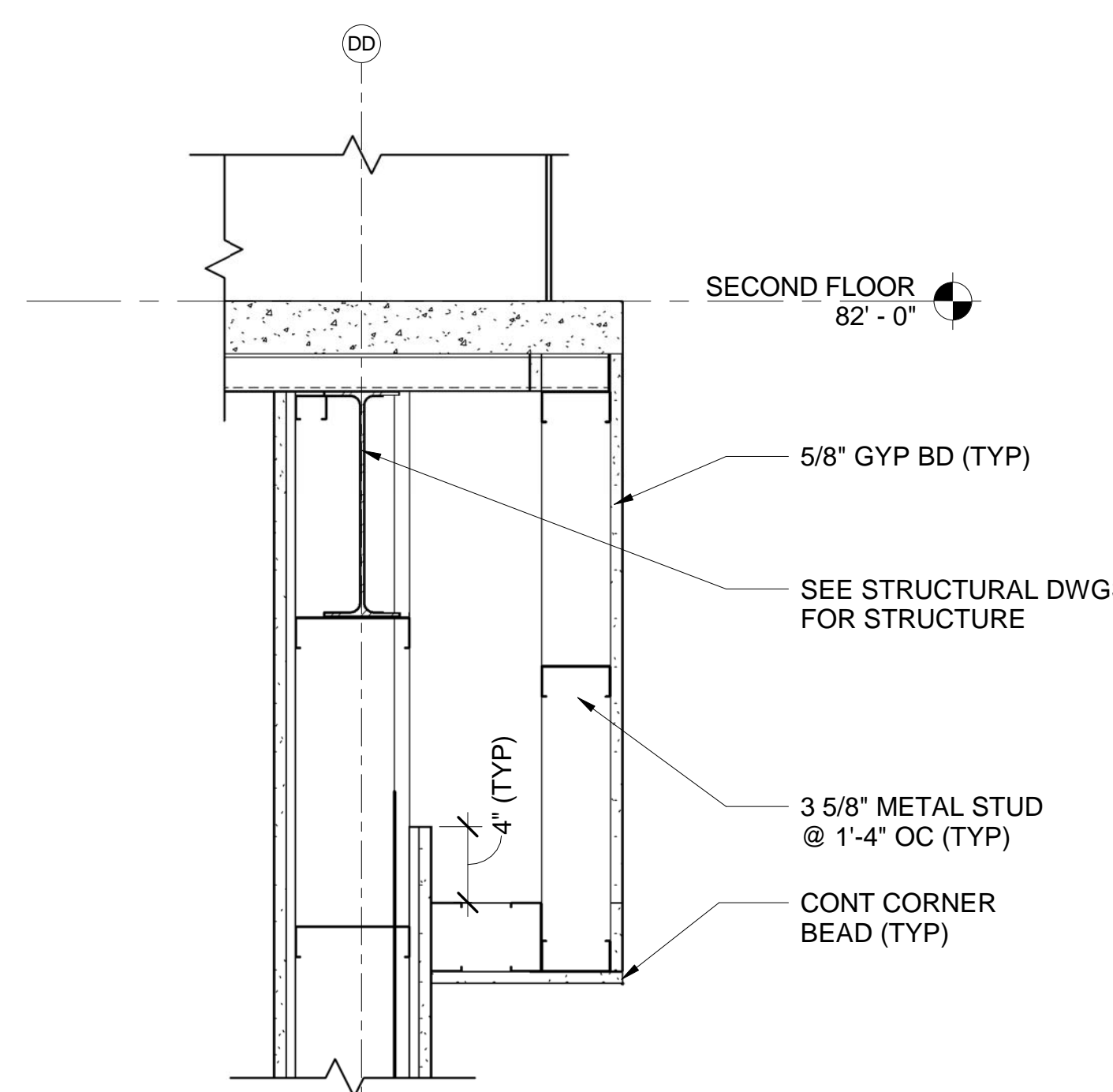
7 STAGE - OPERABLE PARTITION HEAD DETAIL
AE701/AE720 SCALE: 1 1/2" = 1'-0"



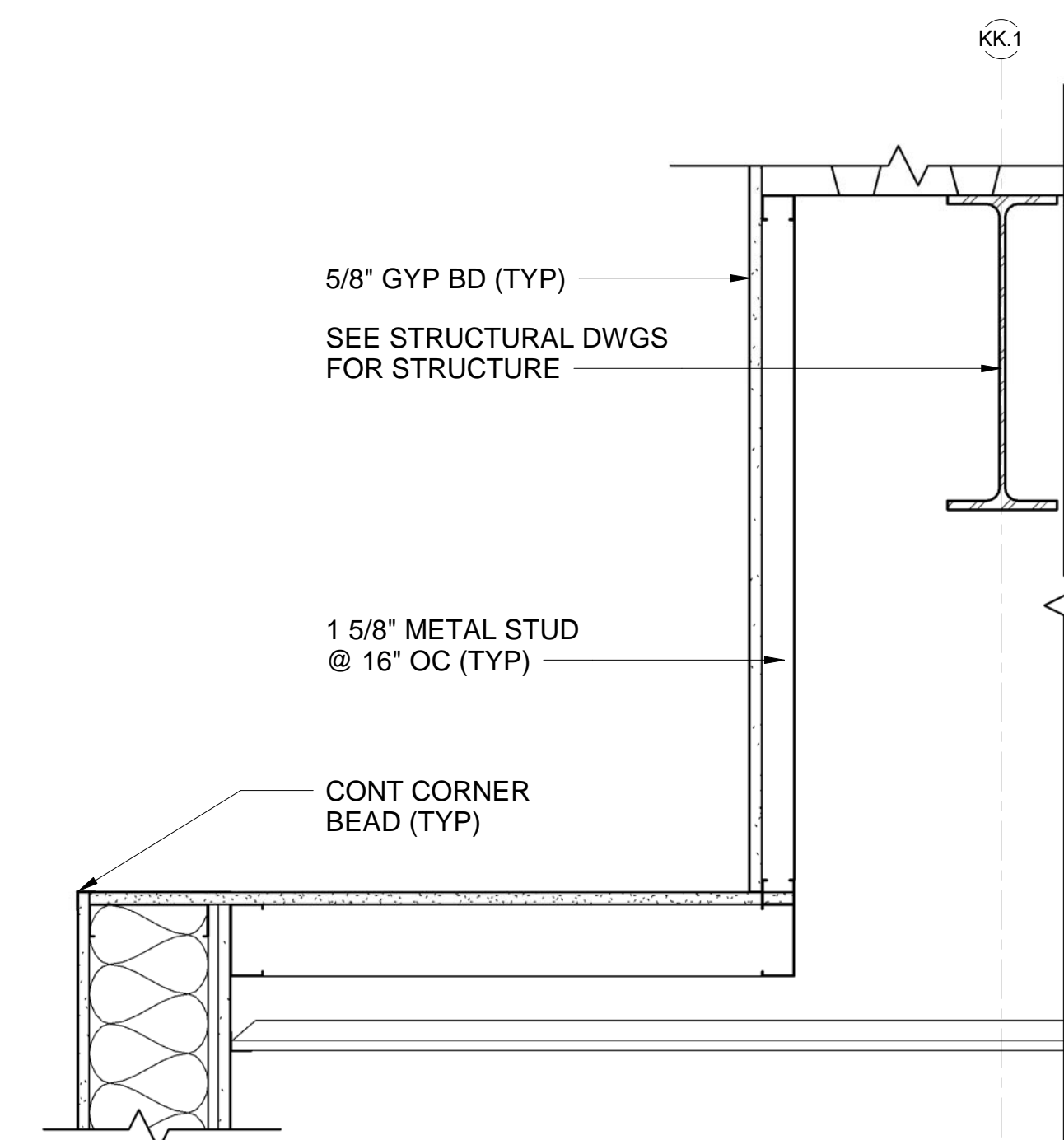
8 CLASSROOM SOFFIT DETAIL
AE702/AE720 SCALE: 1 1/2" = 1'-0"



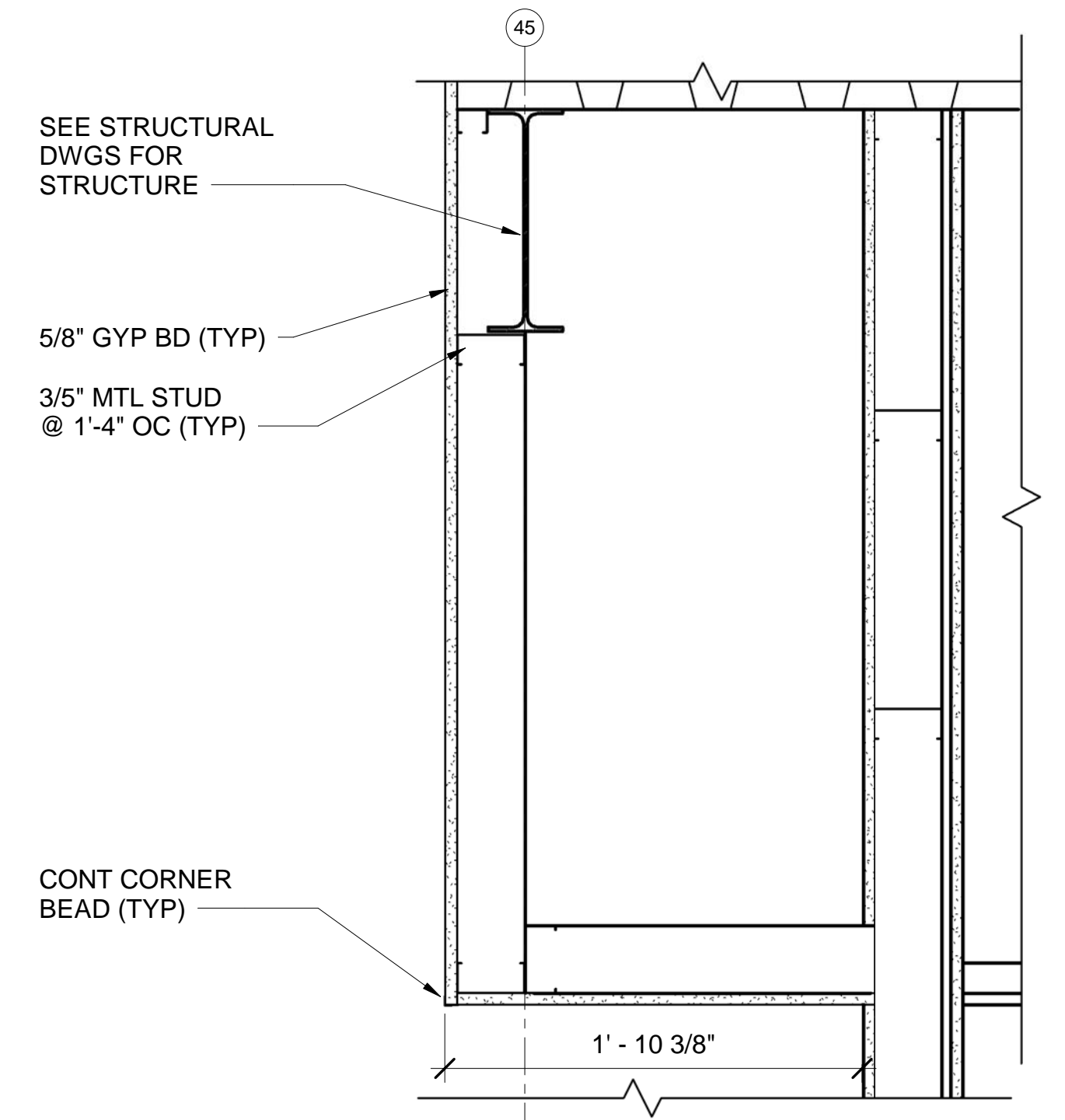
9 SOFFIT DETAIL STAFF D08
AE704/AE720 SCALE: 1 1/2" = 1'-0"



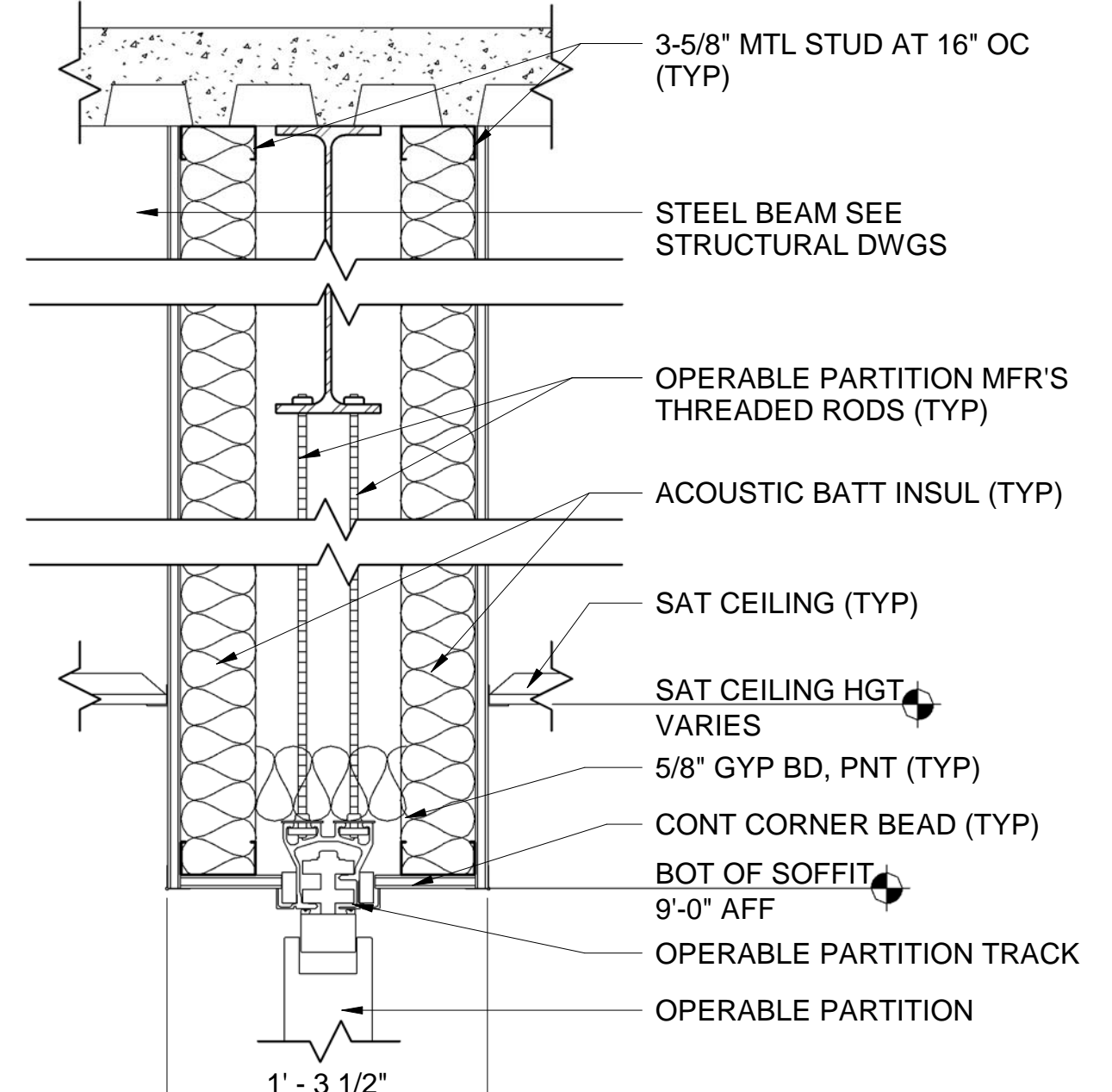
10 SOFFIT DETAIL B13
AE220/AE720 SCALE: 1 1/2" = 1'-0"



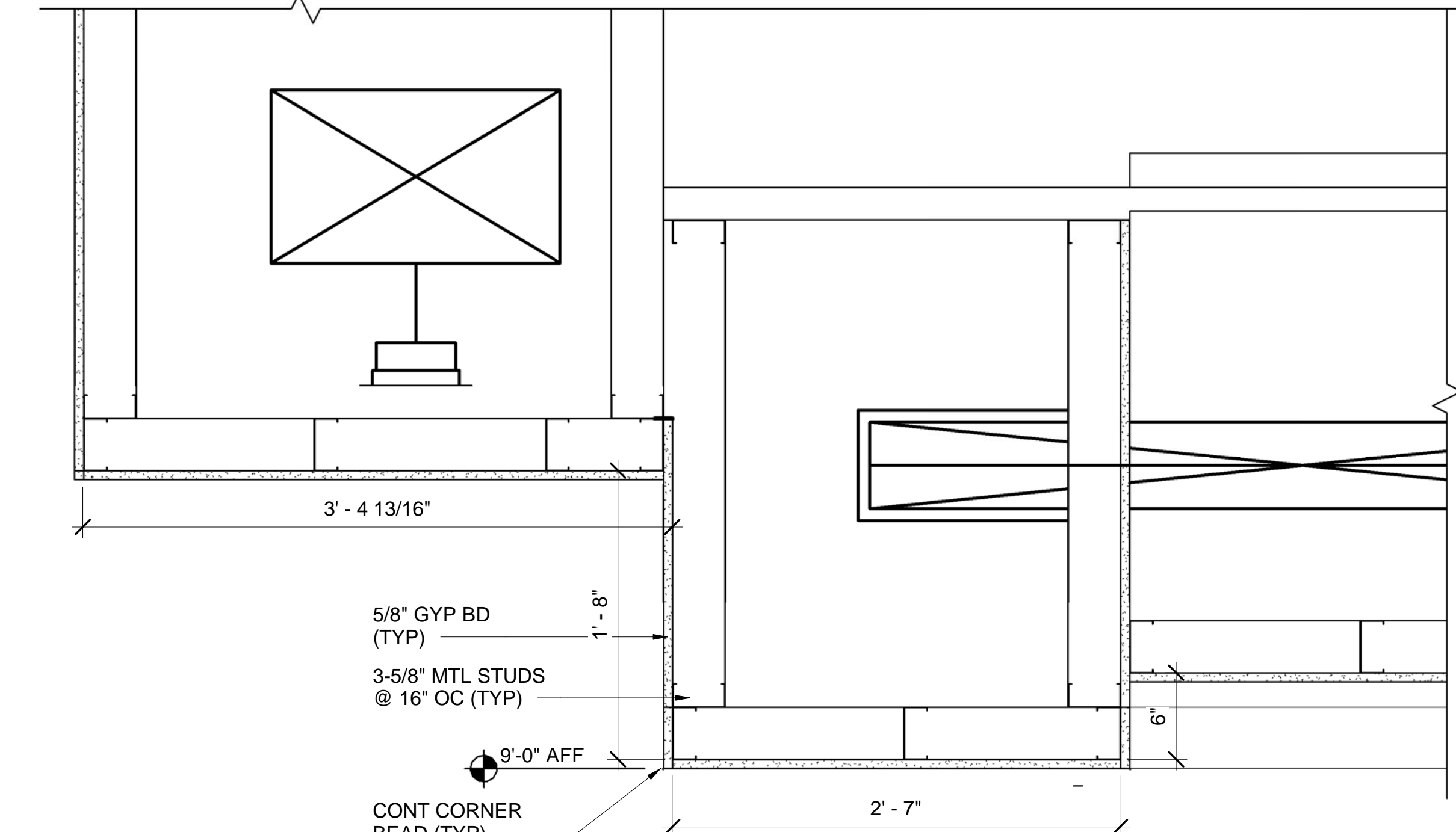
11 SOFFIT DETAIL LIBRARY B19
AE405/AE720 SCALE: 1 1/2" = 1'-0"



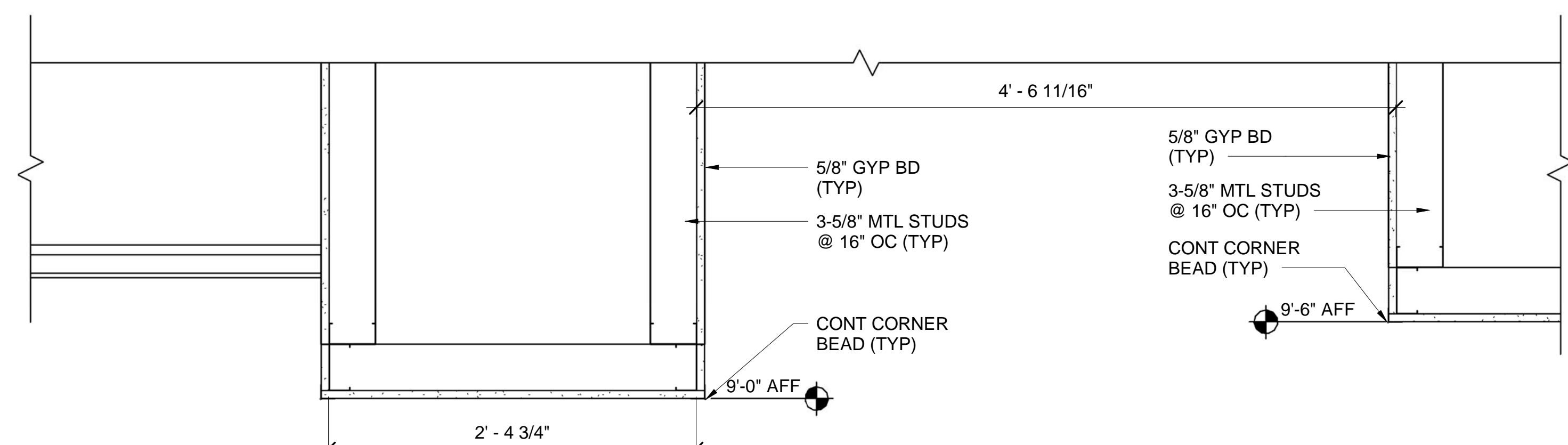
12 SOFFIT DETAIL AT ENTRY A15
AE221/AE720 SCALE: 1 1/2" = 1'-0"



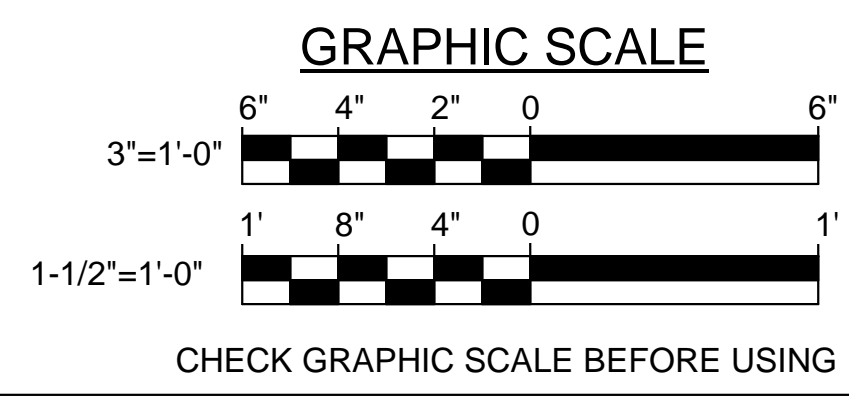
13 CLASSROOM - OPERABLE PARTITION HEAD DETAIL 2
AE704/AE720 SCALE: 1 1/2" = 1'-0"



14 LIBRARY SOFFIT DETAIL 1
AE220/AE720 SCALE: 1 1/2" = 1'-0"



15 LIBRARY SOFFIT DETAIL 2
AE222/AE720 SCALE: 1 1/2" = 1'-0"



		STATE OF MAINE PUBLIC SCHOOL PROJECT TITLE: PORTLAND PUBLIC SCHOOLS NEW FRED P. HALL ELEMENTARY SCHOOL LOCATION: 23 ORONO ROAD, PORTLAND, ME TITLE THIS DWG: SOFFIT DETAILS
DRAWN BY: JGB CHECK BY: TGB	NO. DATE DESCRIPTION BY NO. DATE DESCRIPTION BY NO. DATE DESCRIPTION BY NO. DATE DESCRIPTION BY	OAK POINT ASSOCIATES AE720 SHEET NO. 198 OF 312