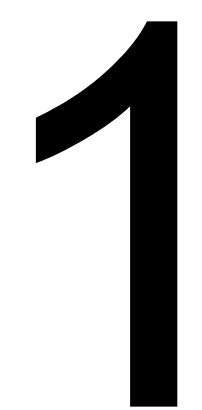


NOTES:
SEE SIGN SCHEDULE FOR SIGN TEXT.

1 SIGNAGE DETAILS
AE661 SCALE: 6"=1'-0"

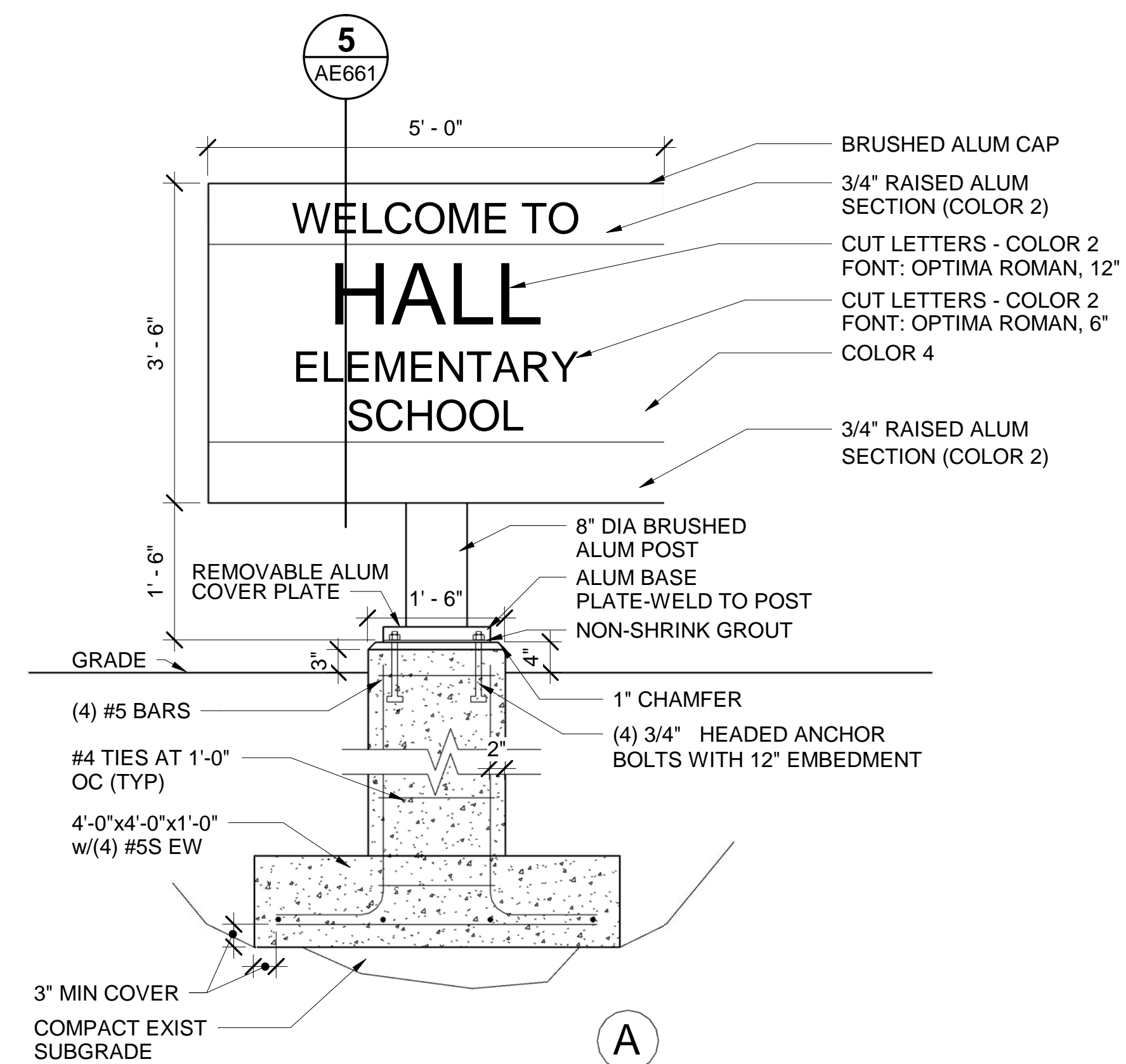


12" CAST ALUMINUM CHARACTERS

NOTE: REFER TO SHEETS AE201-203 FOR EXTERIOR CAST LETTERS

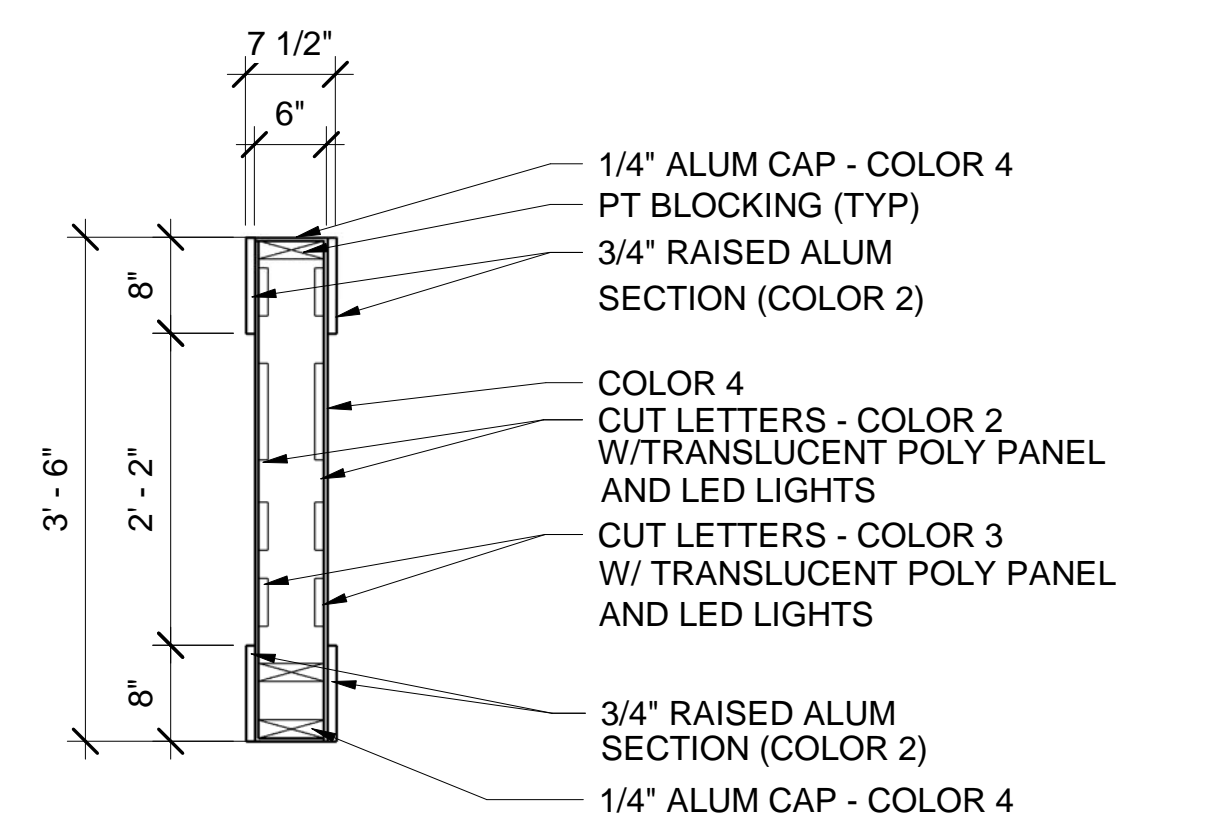
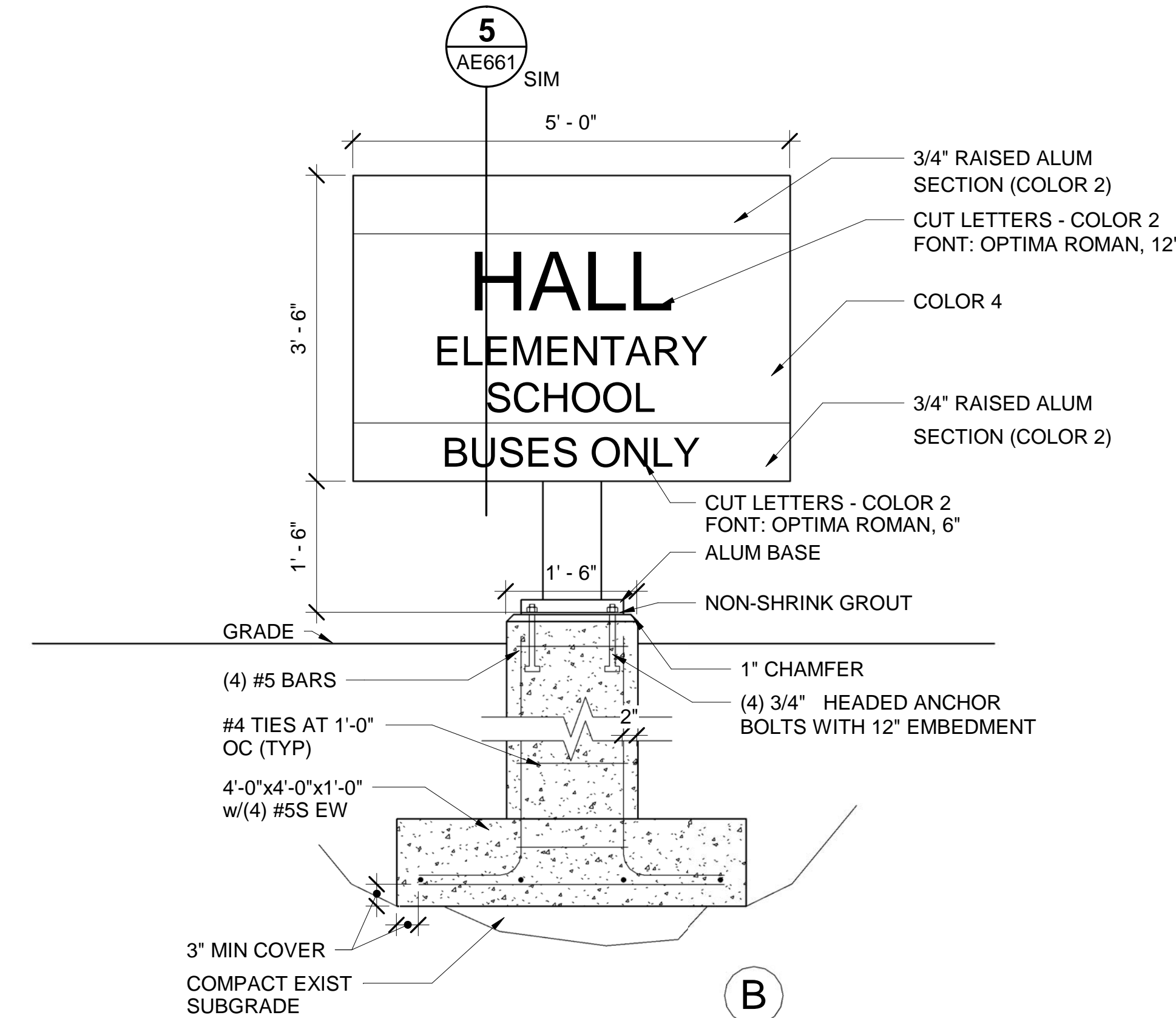
ELEVATION
SCALE: 6"=1'-0"

2 SIGNAGE - ALUM CHARACTER
AE661 SCALE: 1"=1'-0"

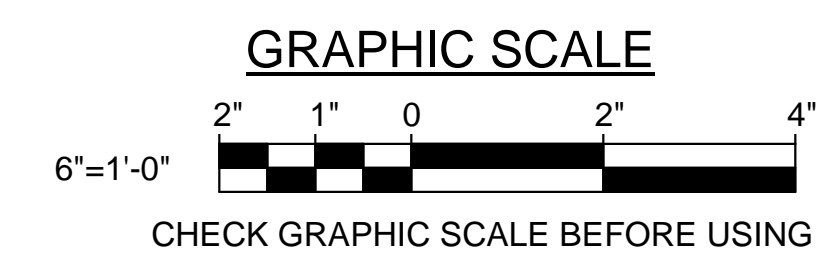


- NOTES:
- SIGN TO BE DOUBLE SIDED.
 - REFER TO CIVIL SHEETS FOR SIGN LOCATION.
 - LETTERS - RECESSED CUT LETTERS, FONT INDICATED. PROVIDE LED LIGHTING AT EACH LETTER. REFER TO ELECTRICAL FOR WIRING INFORMATION.
 - WAVES AND PANELS - 3/8" THICK FLAT-CUT ALUMINUM (STUD-MOUNTED AND BOLTED TO SIGN). PAINT COLOR 2.

4 SIGNAGE - EXTERIOR SIGN
AE661 SCALE: 3/4"=1'-0"



5 SIGNAGE - EXTERIOR SIGN SECTION
AE661 SCALE: 3/4"=1'-0"



		STATE OF MAINE PUBLIC SCHOOL PROJECT TITLE: PORTLAND PUBLIC SCHOOLS NEW FRED P. HALL ELEMENTARY SCHOOL LOCATION: 23 ORONO ROAD, PORTLAND, ME TITLE THIS DWG: SIGNAGE DETAILS
DRAWN BY: JGB CHECK BY: TGB	NO. DATE DESCRIPTION BY NO. DATE DESCRIPTION BY NO. DATE DESCRIPTION BY NO.	OAK POINT ASSOCIATES AE661 SHEET NO.
DATE: 03/17/17		231 Main Street, Biddeford, Maine 04005 207.283.9192 192 OF 312