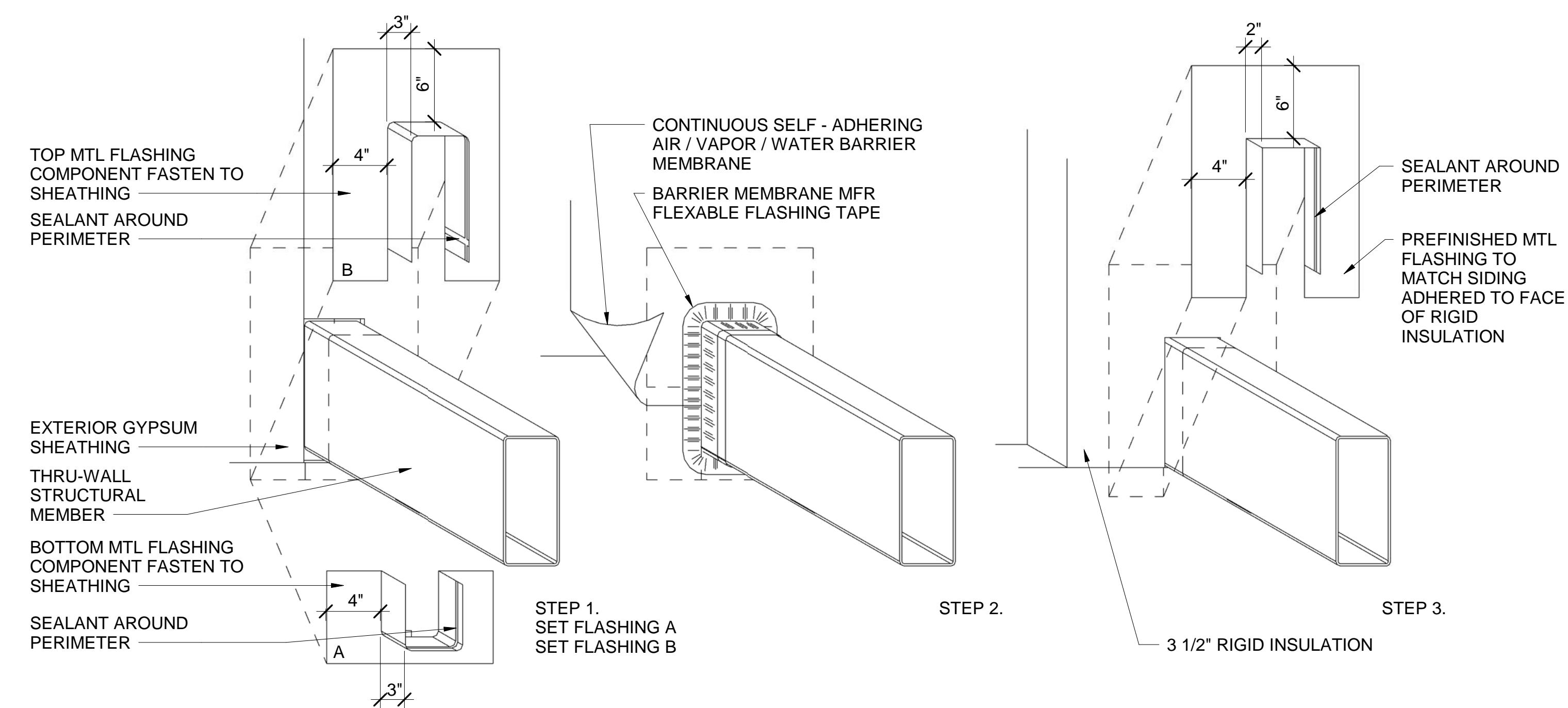


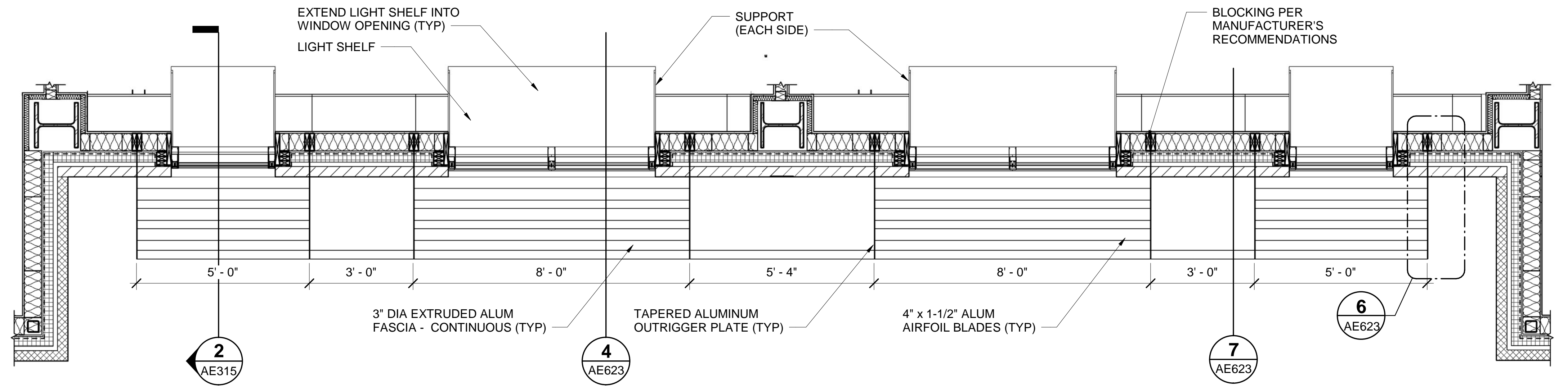
1 MEMBRANE FLASHING DETAIL
AE623 SCALE: NOT TO SCALE

NOTES:

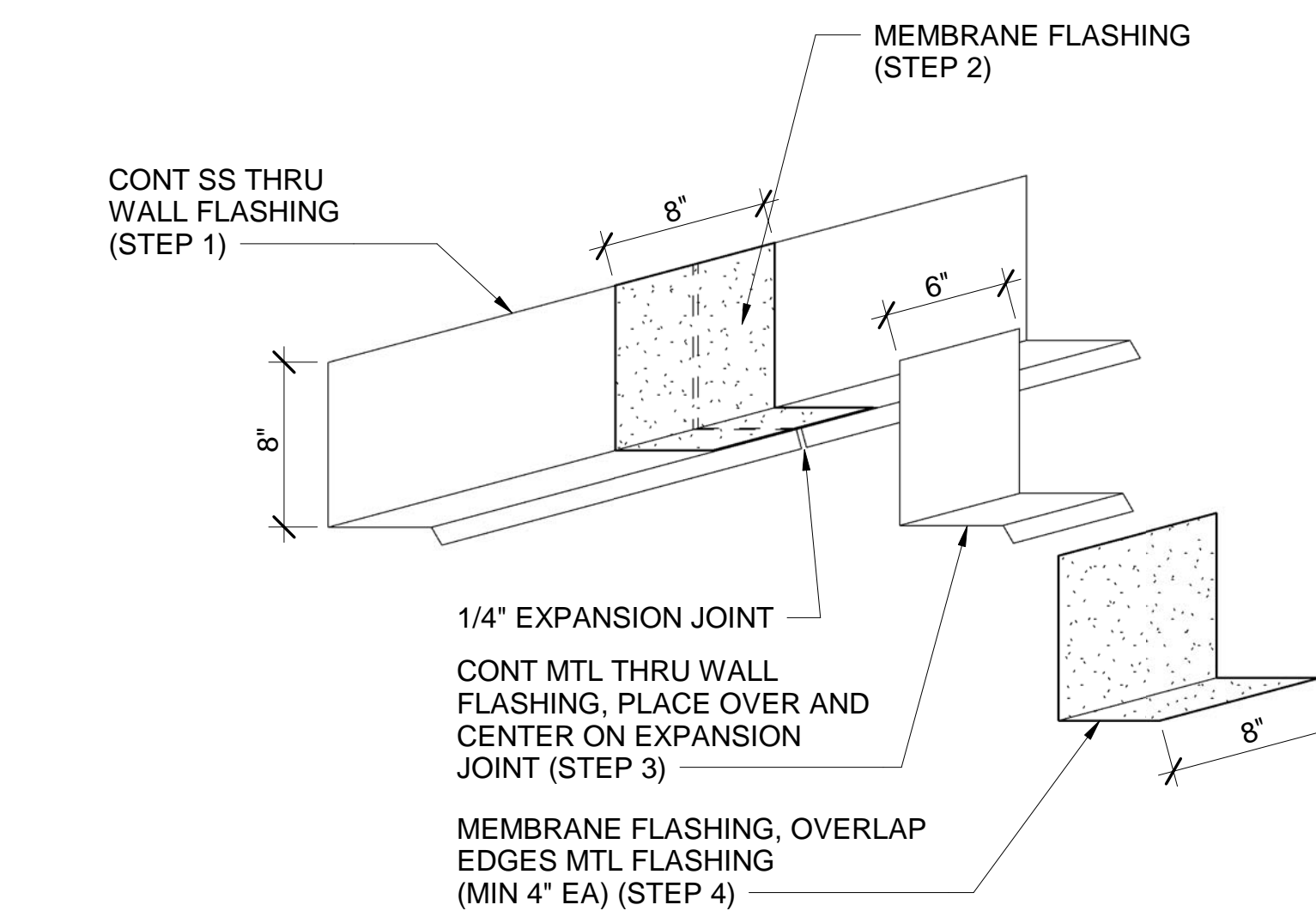
1. APPLY MEMBRANE FLASHING TO EXTERIOR GYPSUM WALL SHEATHING PRIOR TO INSTALLATION OF CONTINUOUS AIR / VAPOR / WATER BARRIER WALL MEMBRANE.
2. SURFACES SHALL BE CLEAN AND DRY AND PRIMED WITH CONTACT ADHESIVE.
3. ROUGH OPENING MEMBRANE FLASHING SHALL BE A CONTINUOUS SELF - ADHERING AIR / VAPOR / WATER BARRIER MEMBRANE MATERIAL.
4. FLASHING MEMBRANE SHALL BE A MINIMUM OF 9" WIDE. THE FLASHING SHALL WRAP INTO WINDOW / DOOR OPENING GREATER THAN THE DEPTH OF THE DOOR / WINDOW AND OUT ONTO THE WALL A MINIMUM OF 3".
5. REFER TO WINDOW AND DOOR DETAILS FOR ADDITIONAL COUNTER FLASHING AT WINDOW FRAMES.



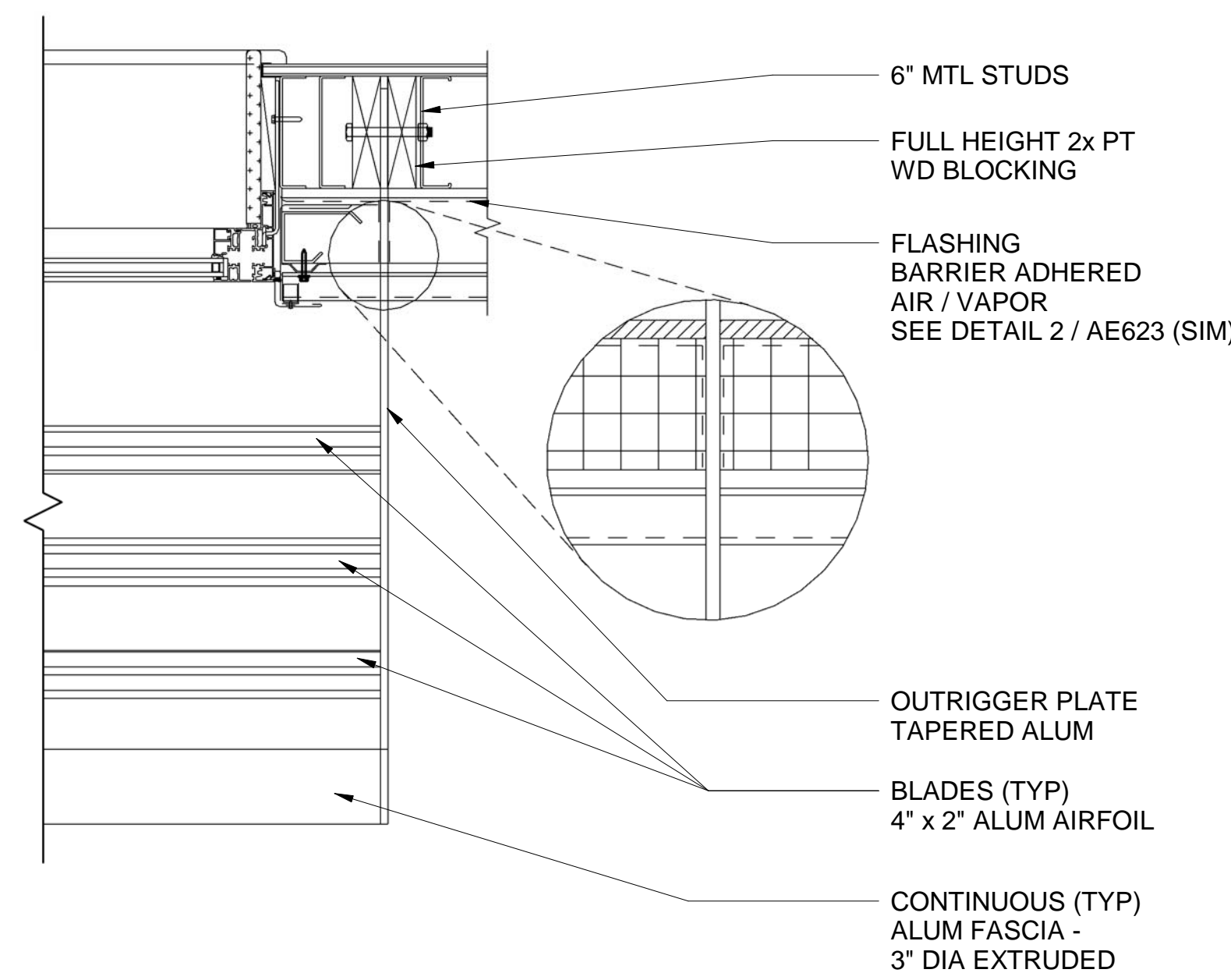
5 TYP FLASHING AT THRU-WALL STRUCTURE
AE623 SCALE: NOT TO SCALE



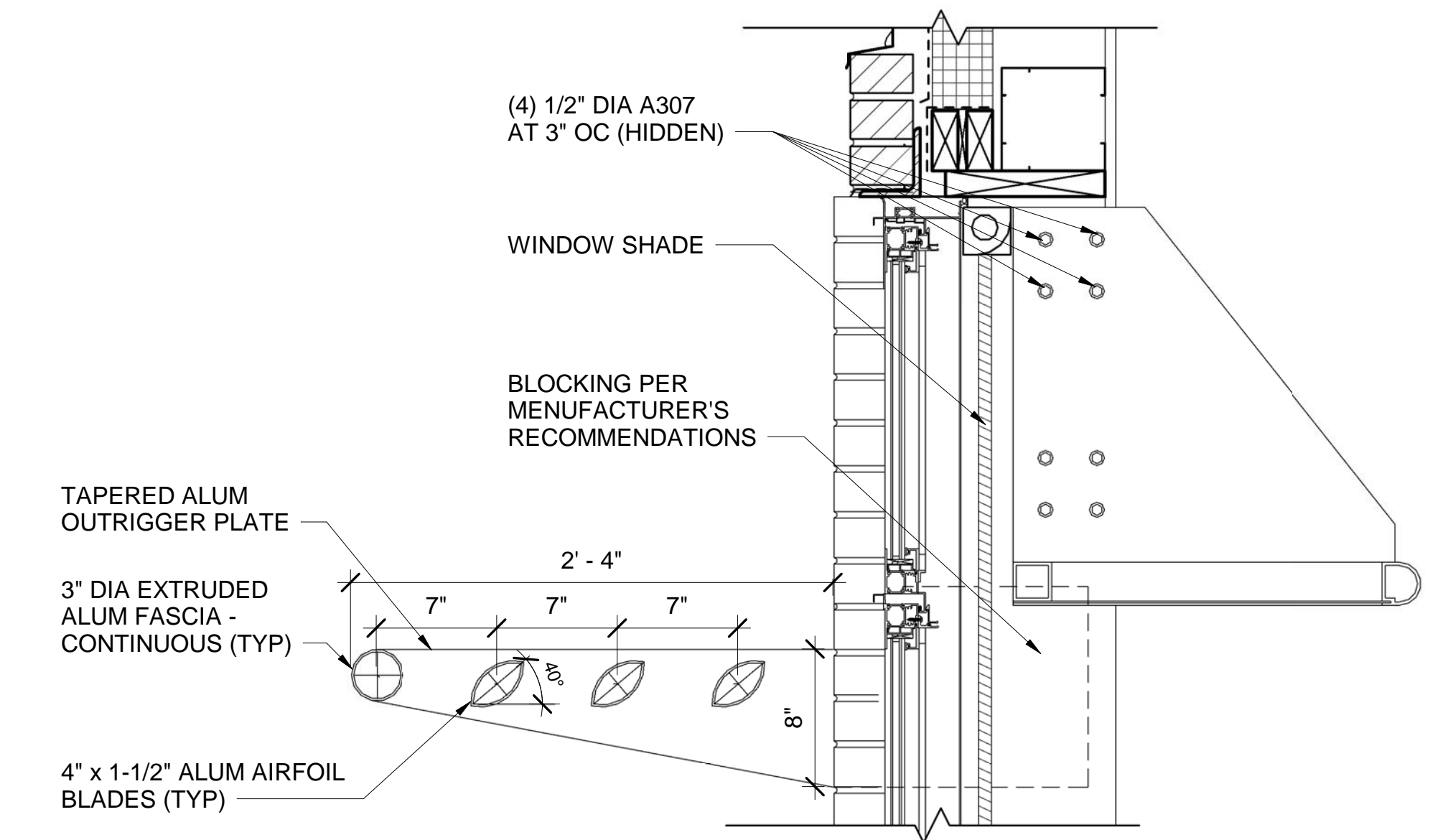
2 TYP SUN SHADE PLAN DETAIL
AE120 AE623 SCALE: 1/2" = 1'-0"



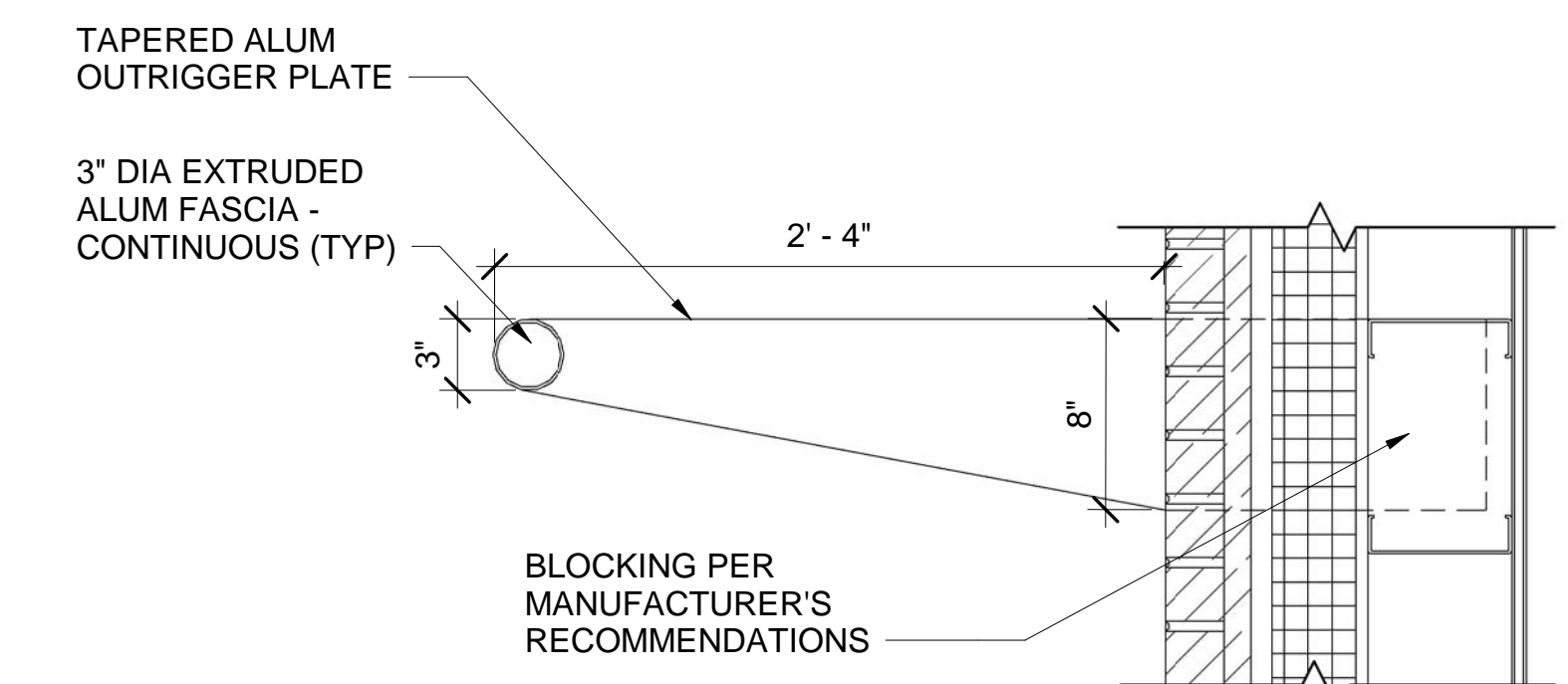
3 TYP THRU WALL FLASHING JOINT DETAIL
AE623 SCALE: NOT TO SCALE



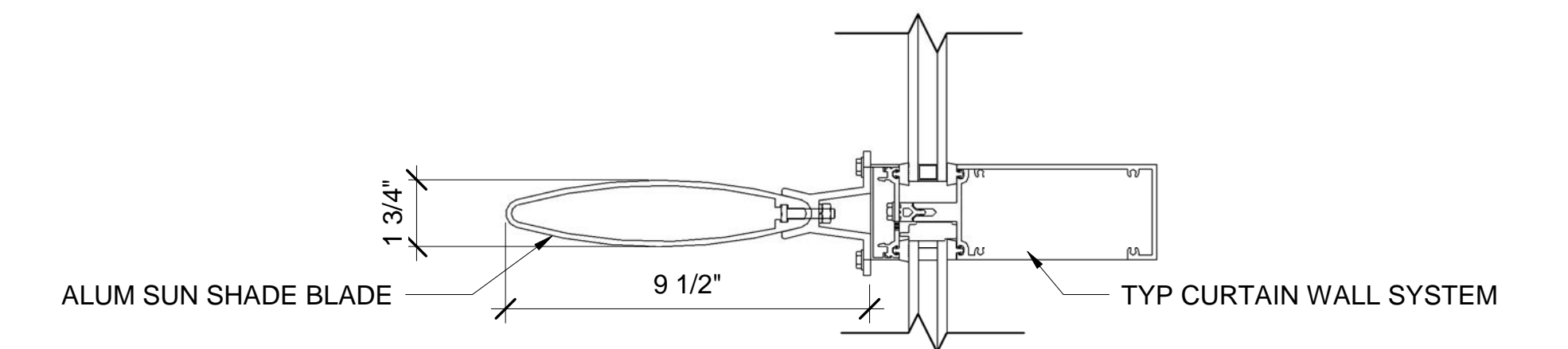
6 TYP SUNSHADE DETAIL
AE623 SCALE: 1 1/2" = 1'-0"



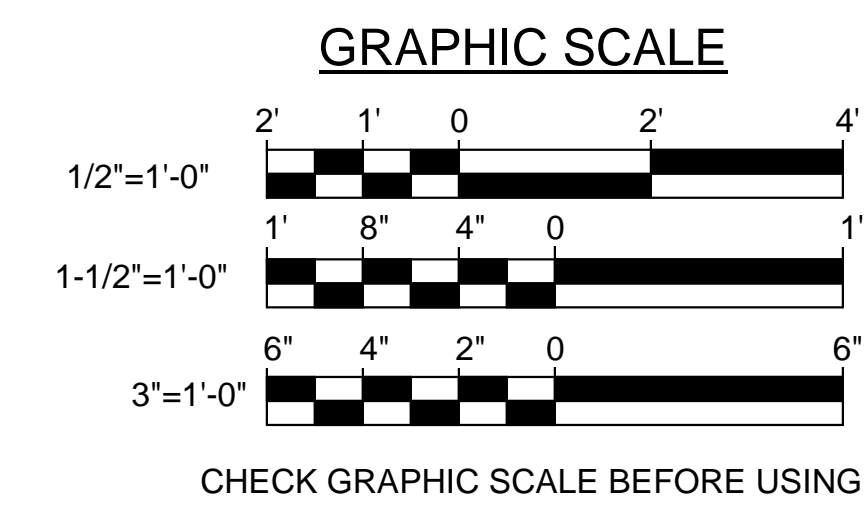
4 TYP SUN SHADE DETAILS
AE312 AE623 SCALE: 1 1/2" = 1'-0"



7 TYP SUNSHADE SECTION DETAIL
AE623 AE623 SCALE: 1 1/2" = 1'-0"



8 SUN SHADE BLADE
AE310 AE623 SCALE: 3" = 1'-0"



		<p>STATE OF MAINE PUBLIC SCHOOL PROJECT</p> <p>TITLE: PORTLAND PUBLIC SCHOOLS NEW FRED P. HALL ELEMENTARY SCHOOL LOCATION: 23 ORONO ROAD, PORTLAND, ME</p> <p>TITLE THIS DWG.: SUNSHADE AND DETAILS</p>
<p>DRAWN BY: JGB CHECK BY: TGB</p>	<p>DATE: 03/17/17</p>	<p>OAK POINT ASSOCIATES AE623</p> <p>DRAWING NO. 187 OF 312</p>