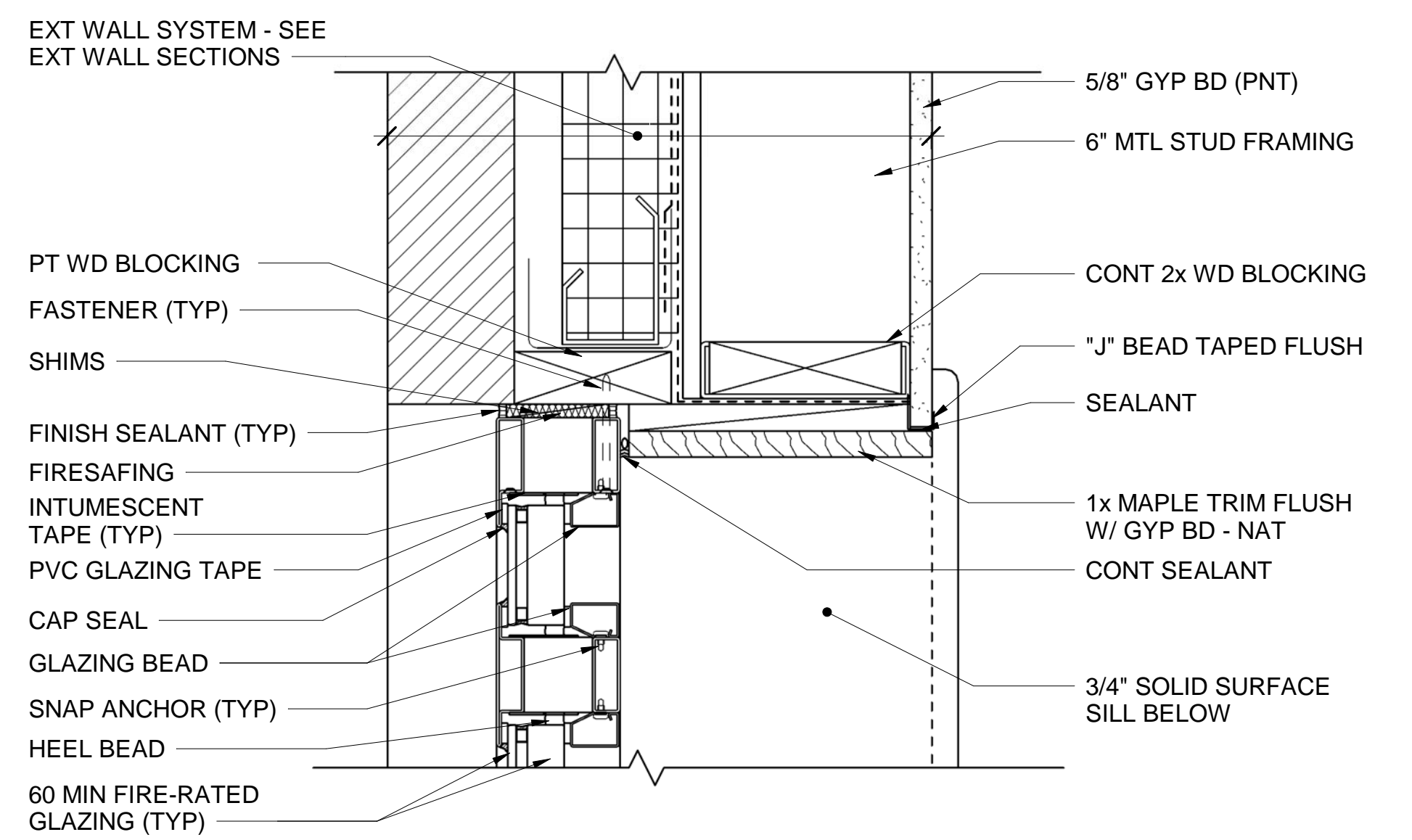


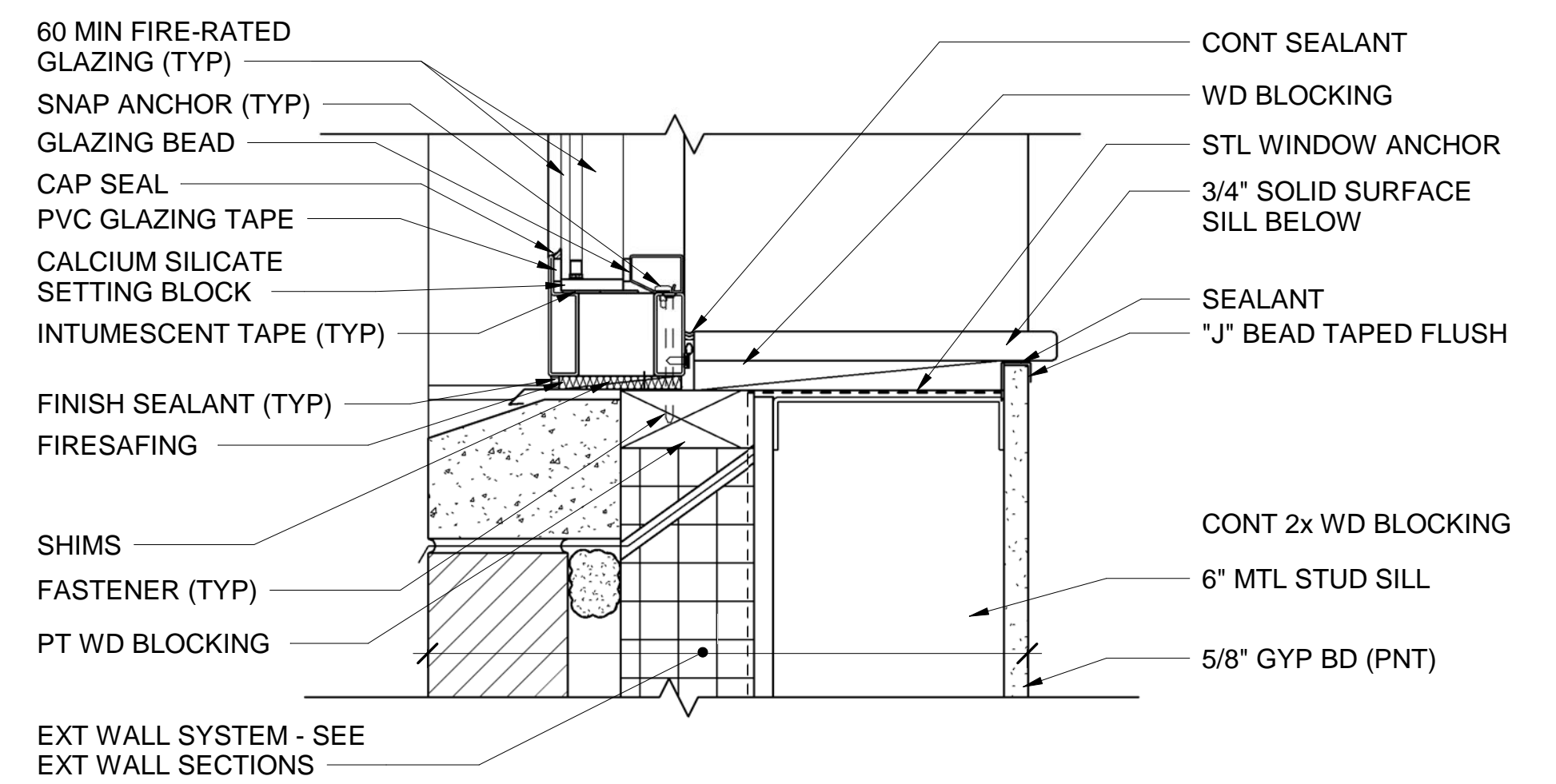
**1 60 MIN EXT WINDOW HEAD DETAIL**

AE622 SCALE: 3" = 1'-0"



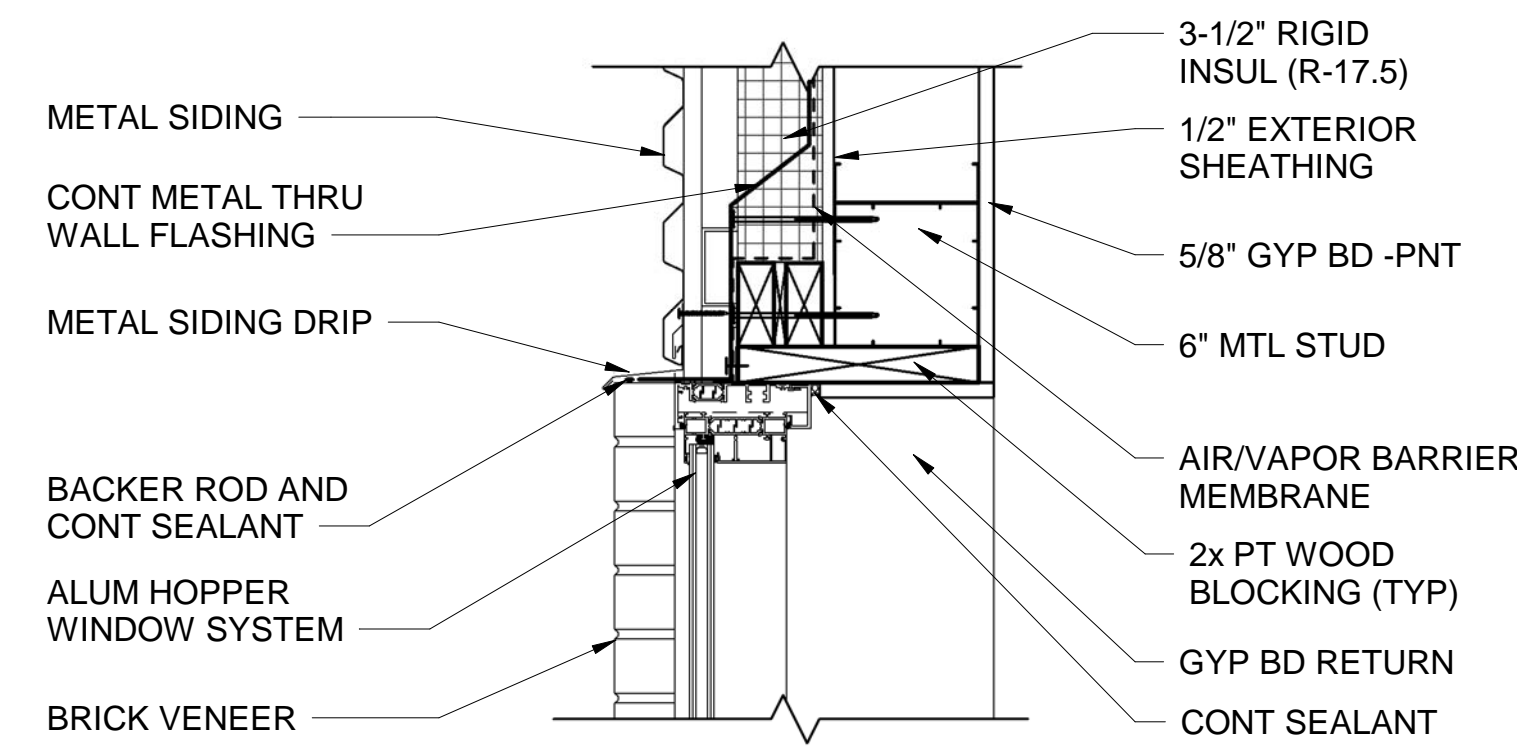
**12 60 MIN EXT WINDOW JAMB DETAIL**

AE622 SCALE: 3" = 1'-0"



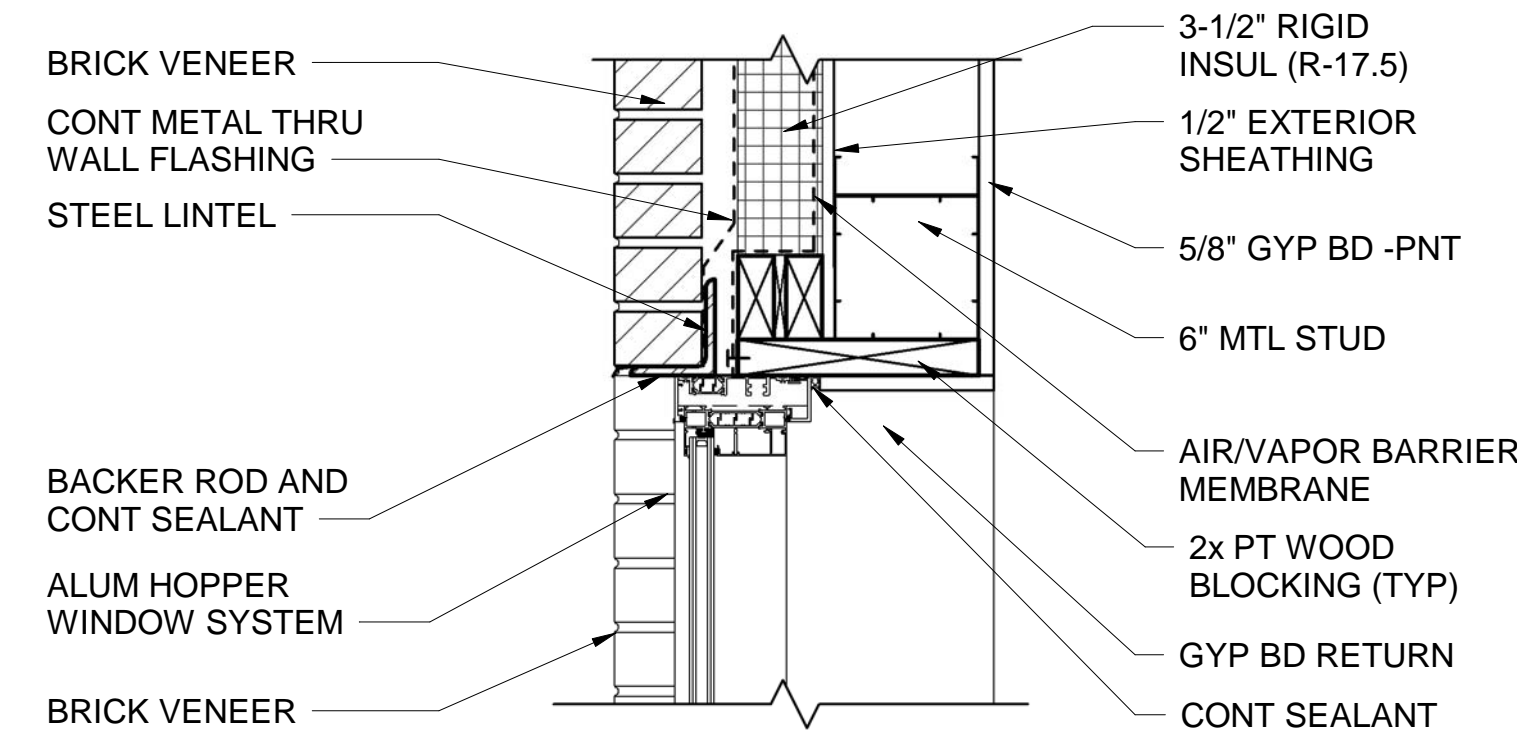
**13 60 MIN EXT WINDOW SILL DETAIL**

AE622 SCALE: 3" = 1'-0"



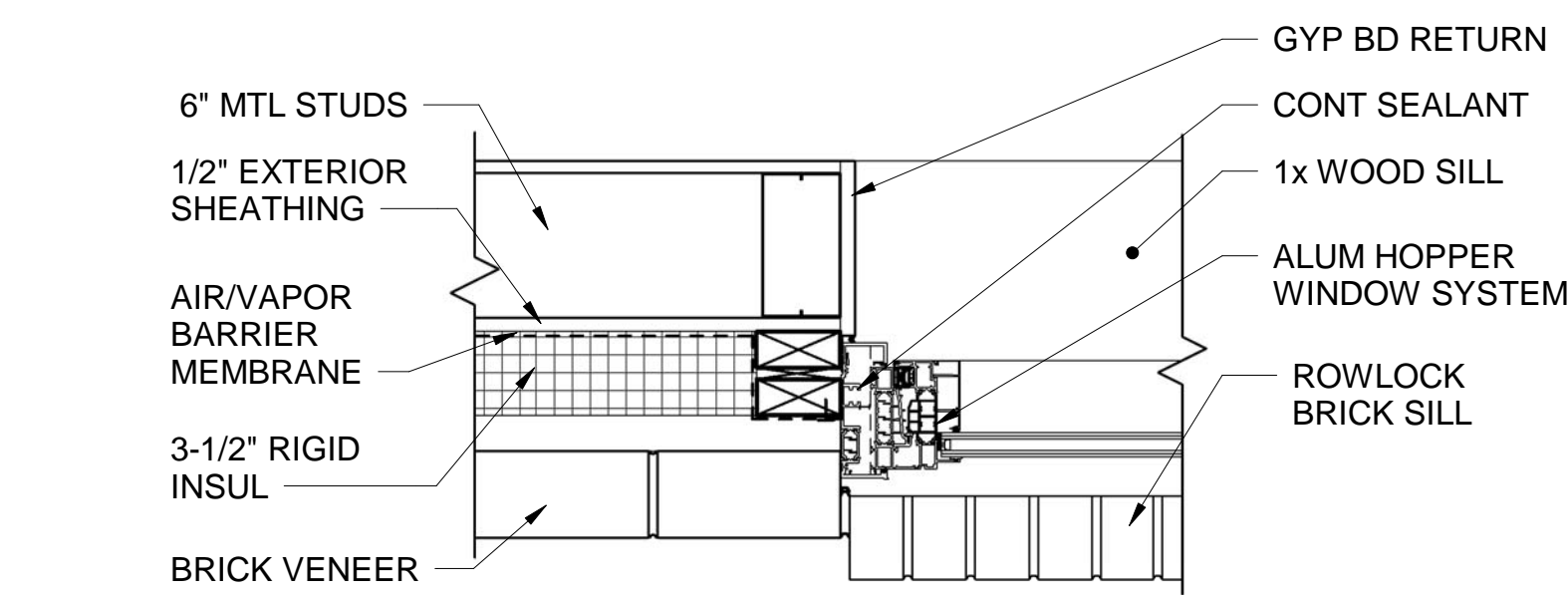
**2 HOPPER WINDOW HEAD AT METAL SIDING TRANSITION (TYP)**

AE310 AE622 SCALE: 1 1/2" = 1'-0"



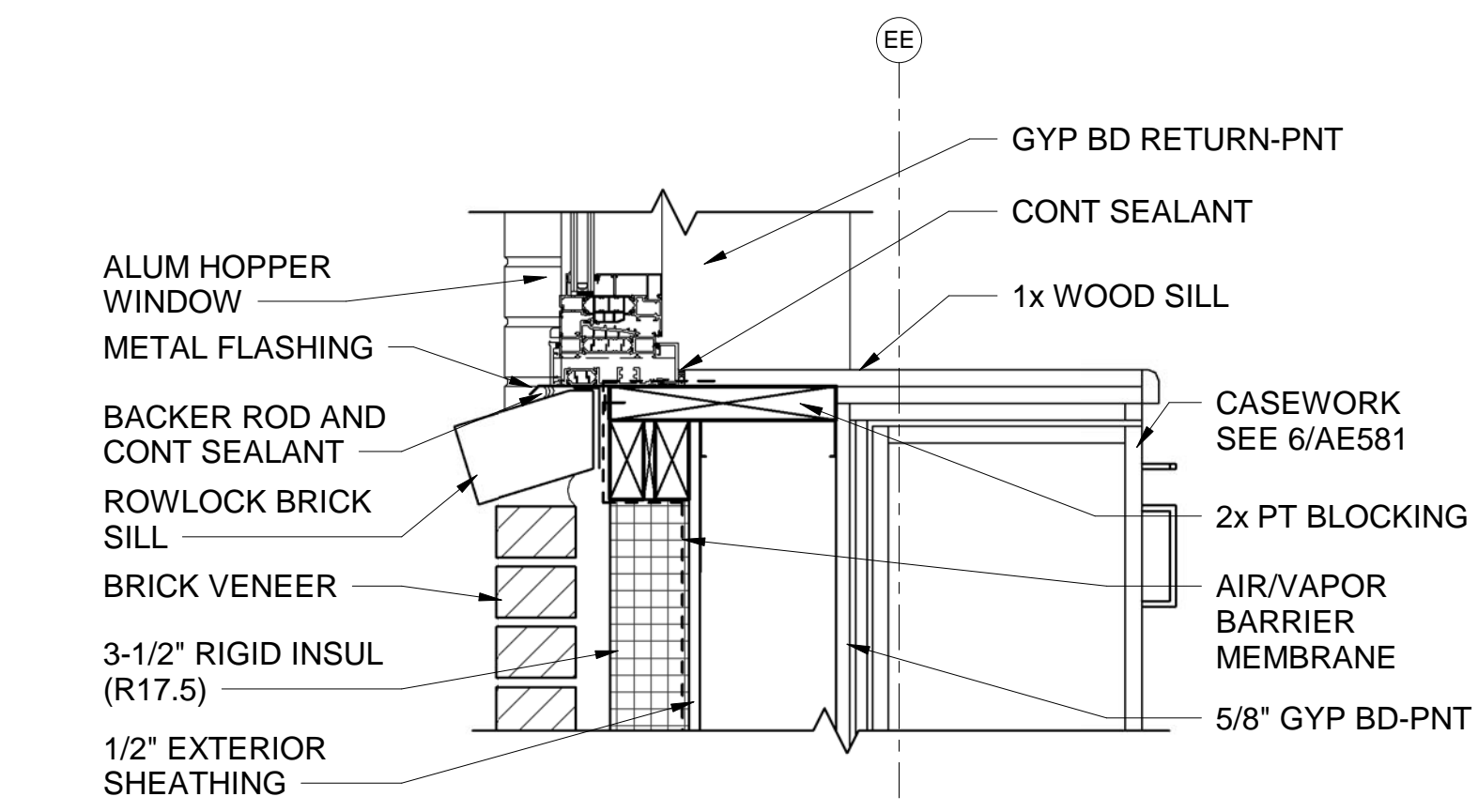
**3 HOPPER WINDOW HEAD AT BRICK SIDING (TYP)**

AE312 AE622 SCALE: 1 1/2" = 1'-0"



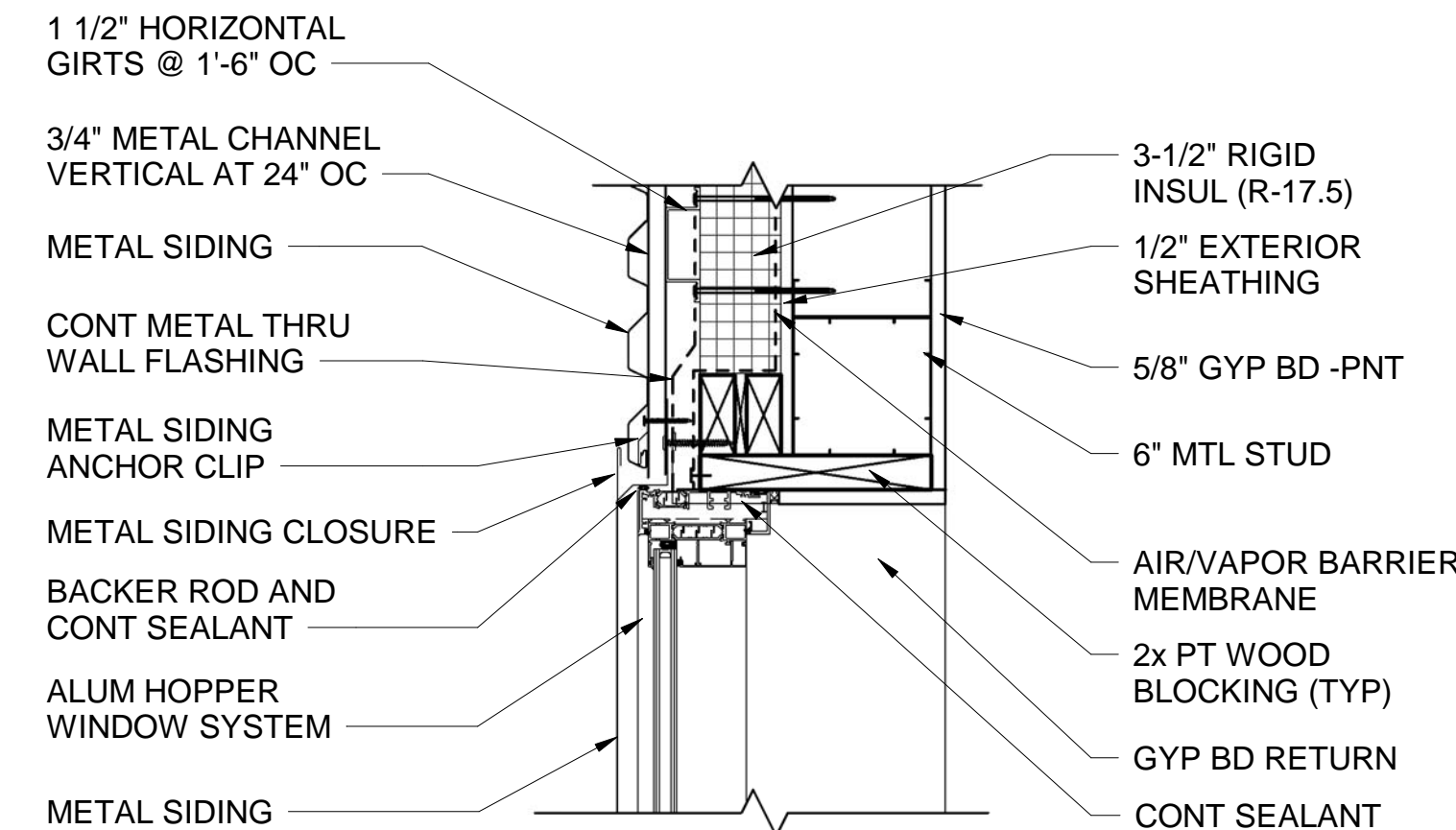
**4 HOPPER WINDOW JAMB AT BRICK VENEER (TYP)**

AE620 AE622 SCALE: 1 1/2" = 1'-0"



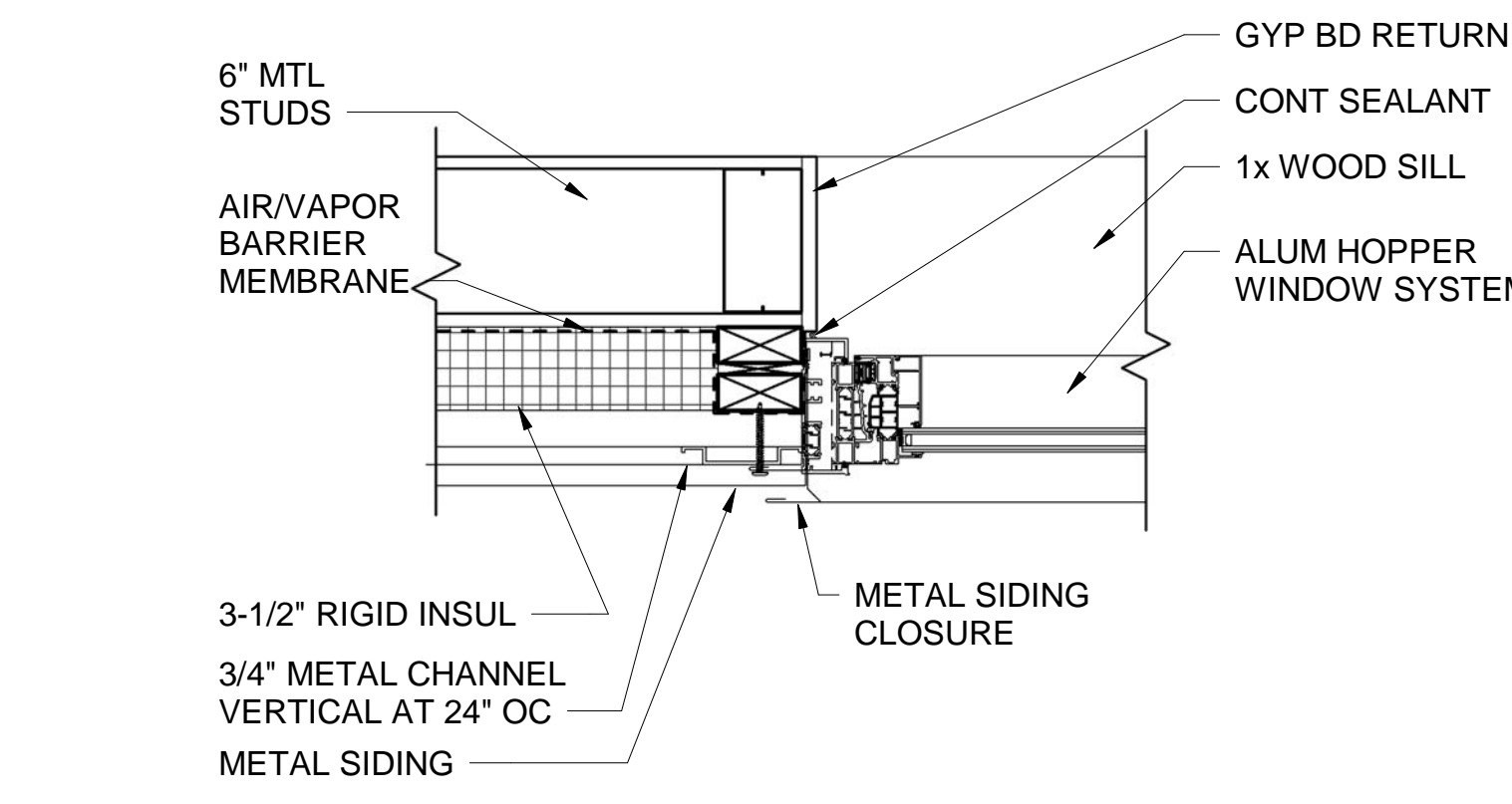
**5 HOPPER WINDOW SILL W/ MILLWORK AT BRICK SIDING (TYP)**

AE312 AE622 SCALE: 1 1/2" = 1'-0"



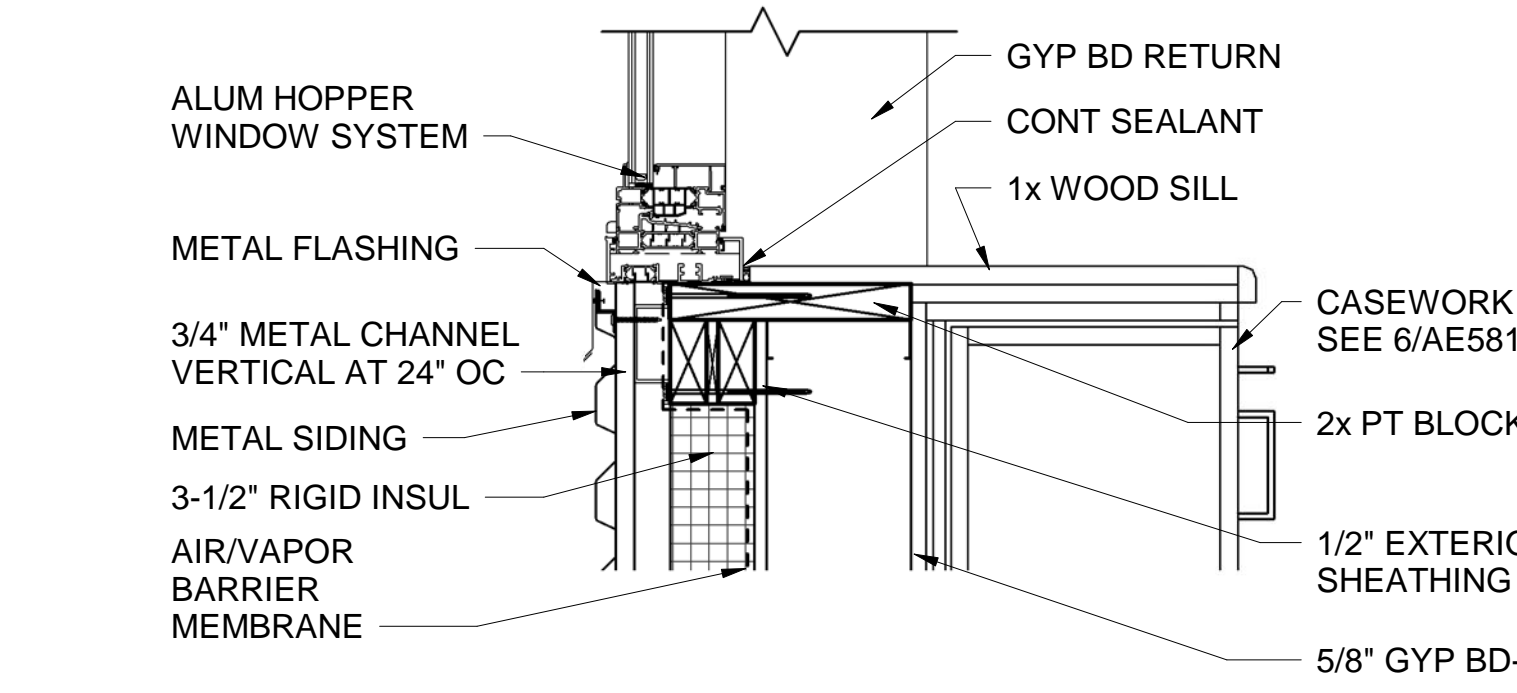
**6 HOPPER WINDOW HEAD AT METAL SIDING (TYP)**

AE311 AE622 SCALE: 1 1/2" = 1'-0"



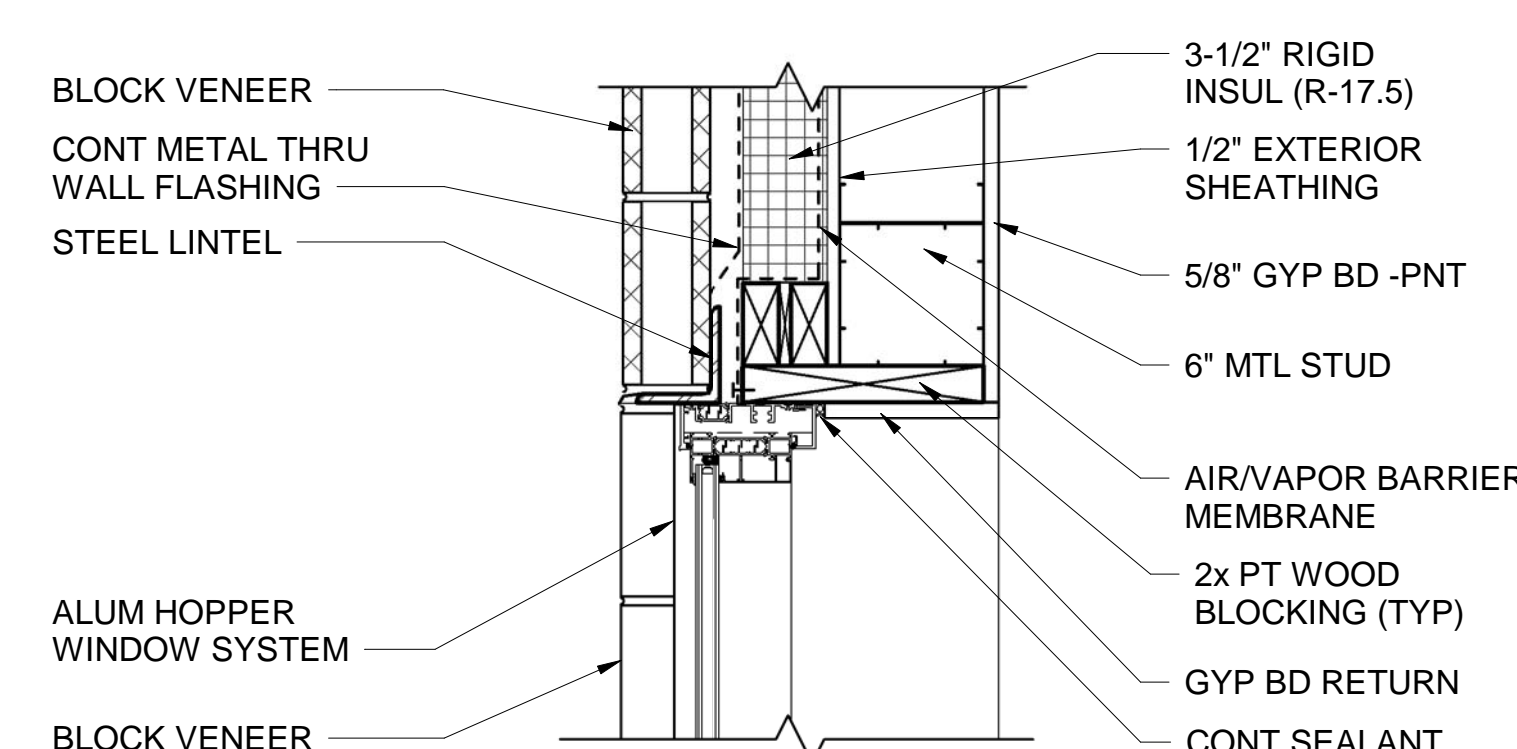
**7 HOPPER WINDOW JAMB AT METAL SIDING (TYP)**

AE620 AE622 SCALE: 1 1/2" = 1'-0"



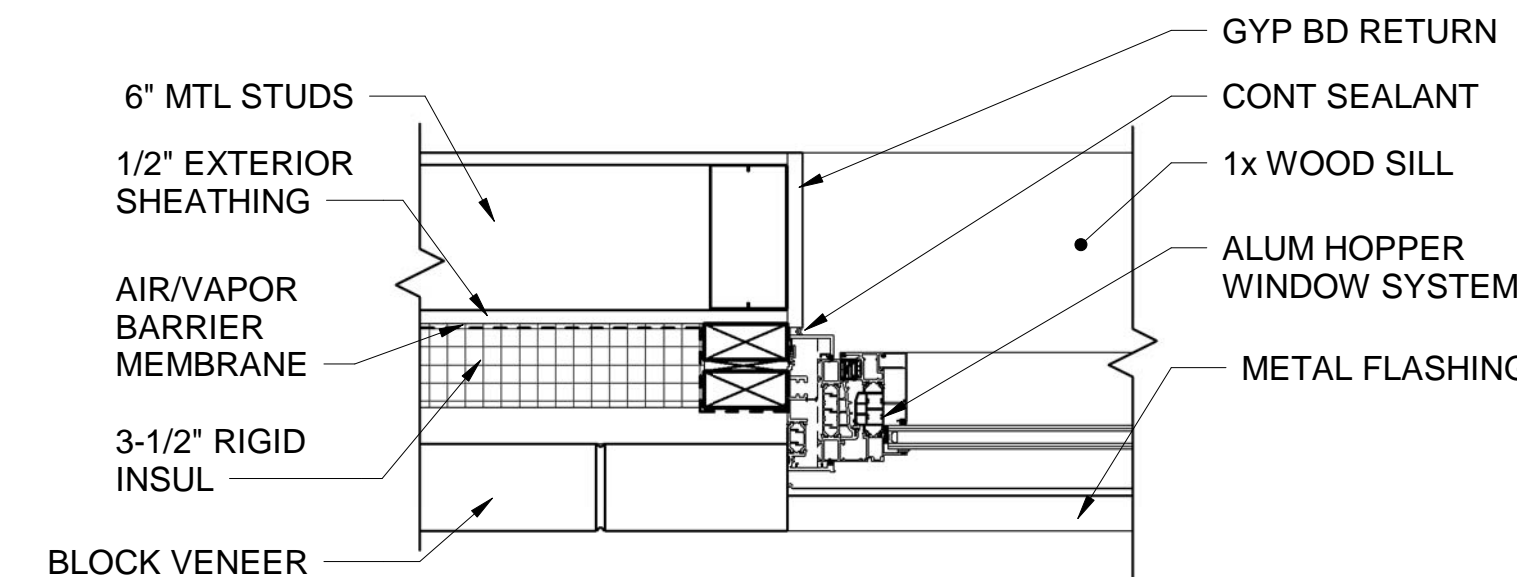
**8 HOPPER WINDOW SILL AT METAL SIDING (TYP)**

AE314 AE622 SCALE: 1 1/2" = 1'-0"



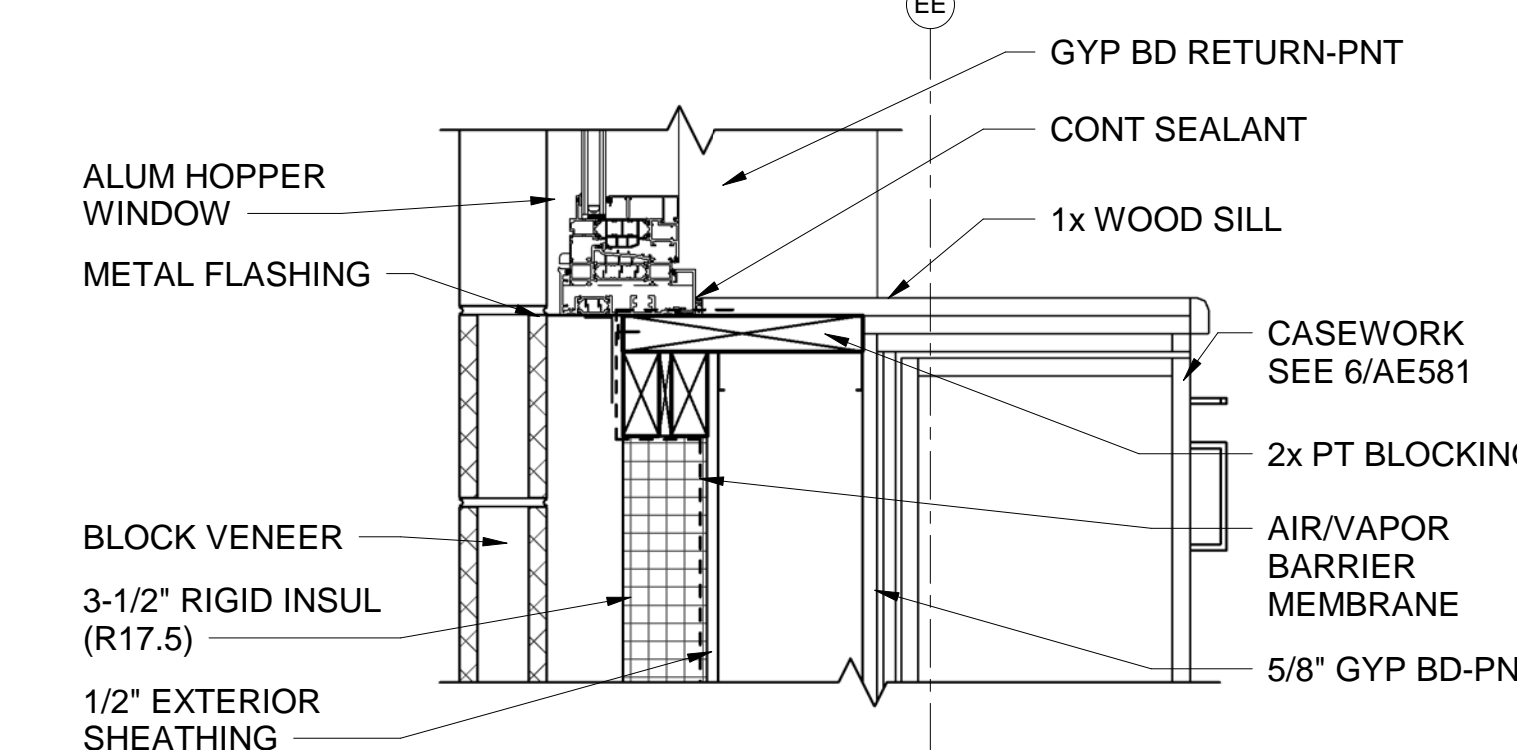
**9 HOPPER WINDOW HEAD AT BLOCK VENEER (TYP)**

AE620 AE622 SCALE: 1 1/2" = 1'-0"



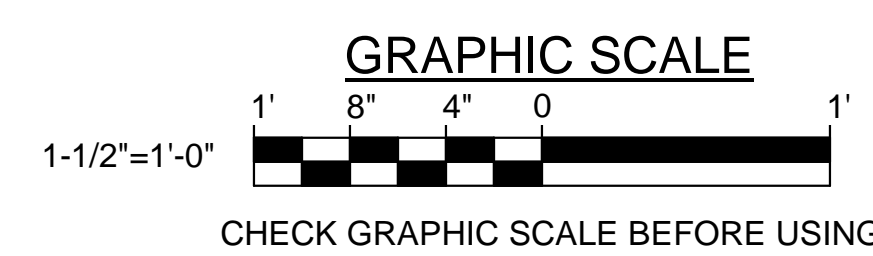
**10 HOPPER WINDOW JAMB AT BLOCK VENEER (TYP)**

AE620 AE622 SCALE: 1 1/2" = 1'-0"



**11 HOPPER WINDOW SILL W/ MILLWORK AT BLOCK VENEER (TYP)**

AE620 AE622 SCALE: 1 1/2" = 1'-0"



		<b>STATE OF MAINE</b> <b>PUBLIC SCHOOL PROJECT</b>	
		TITLE: PORTLAND PUBLIC SCHOOLS NEW FRED P. HALL ELEMENTARY SCHOOL LOCATION: 23 ORONO ROAD, PORTLAND, ME TITLE THIS DWG.: WINDOW DETAILS	
DRAWN BY: DEM CHECK BY: TGB	BY: NO. REVISIONS	DATE: 03/17/17	
NO. DATE DESCRIPTION		DRAWING NO. AE622 SHEET NO. 186 OF 312	