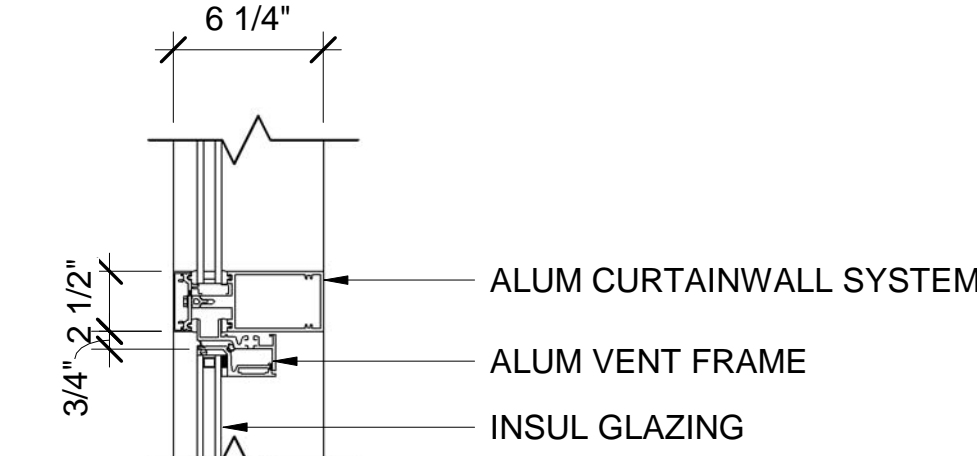
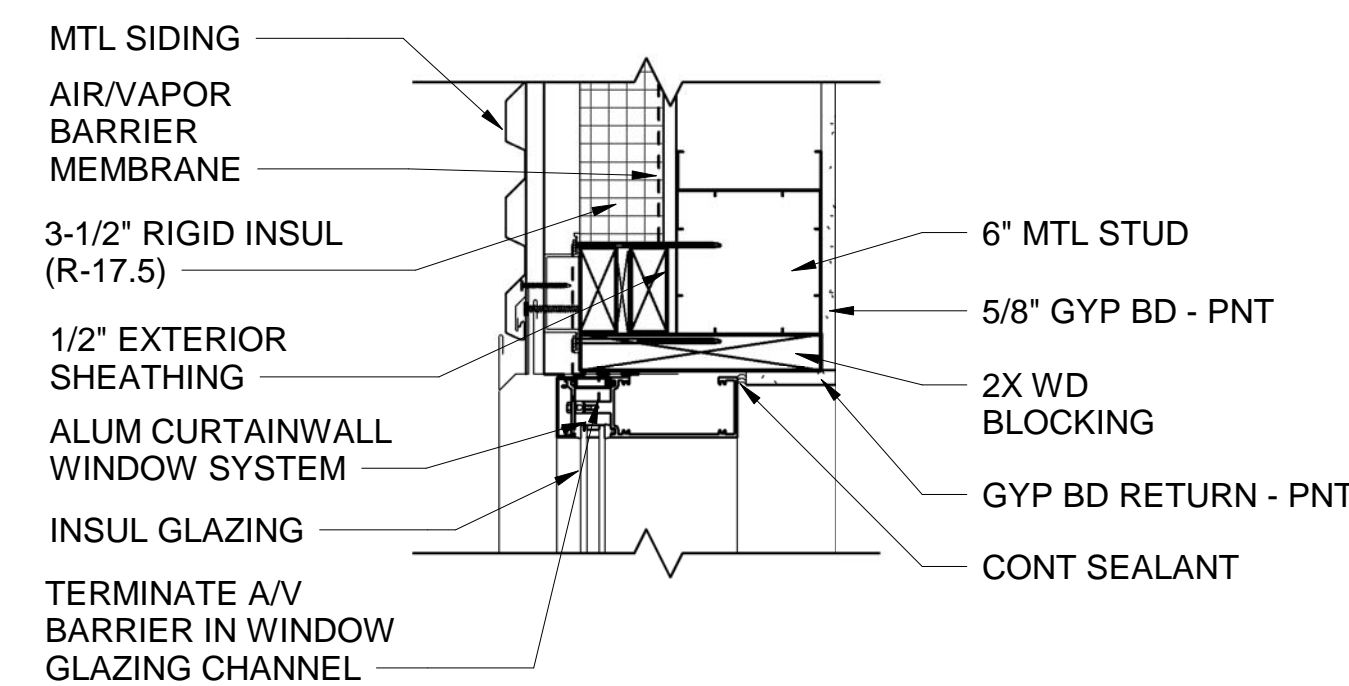


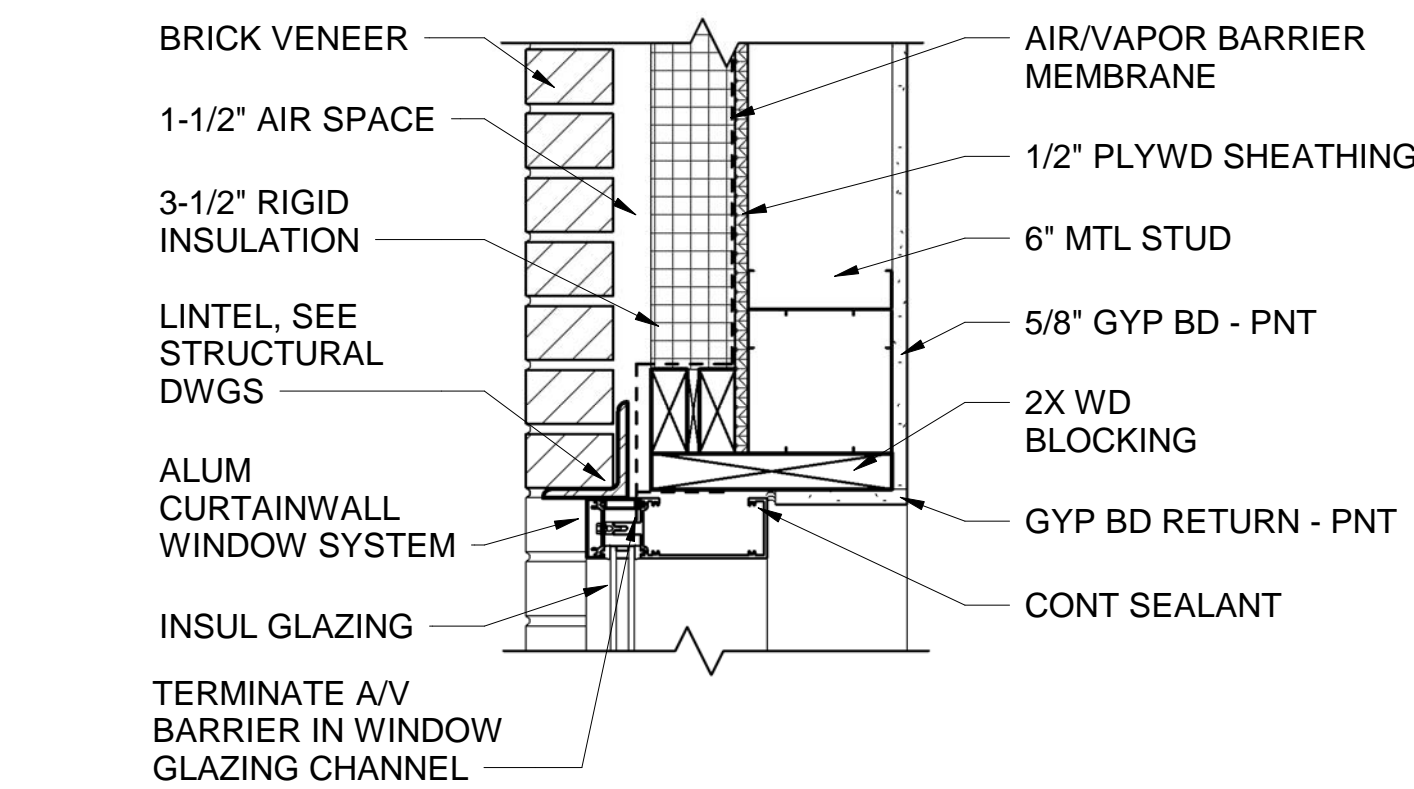
B HORIZONTAL MULLION



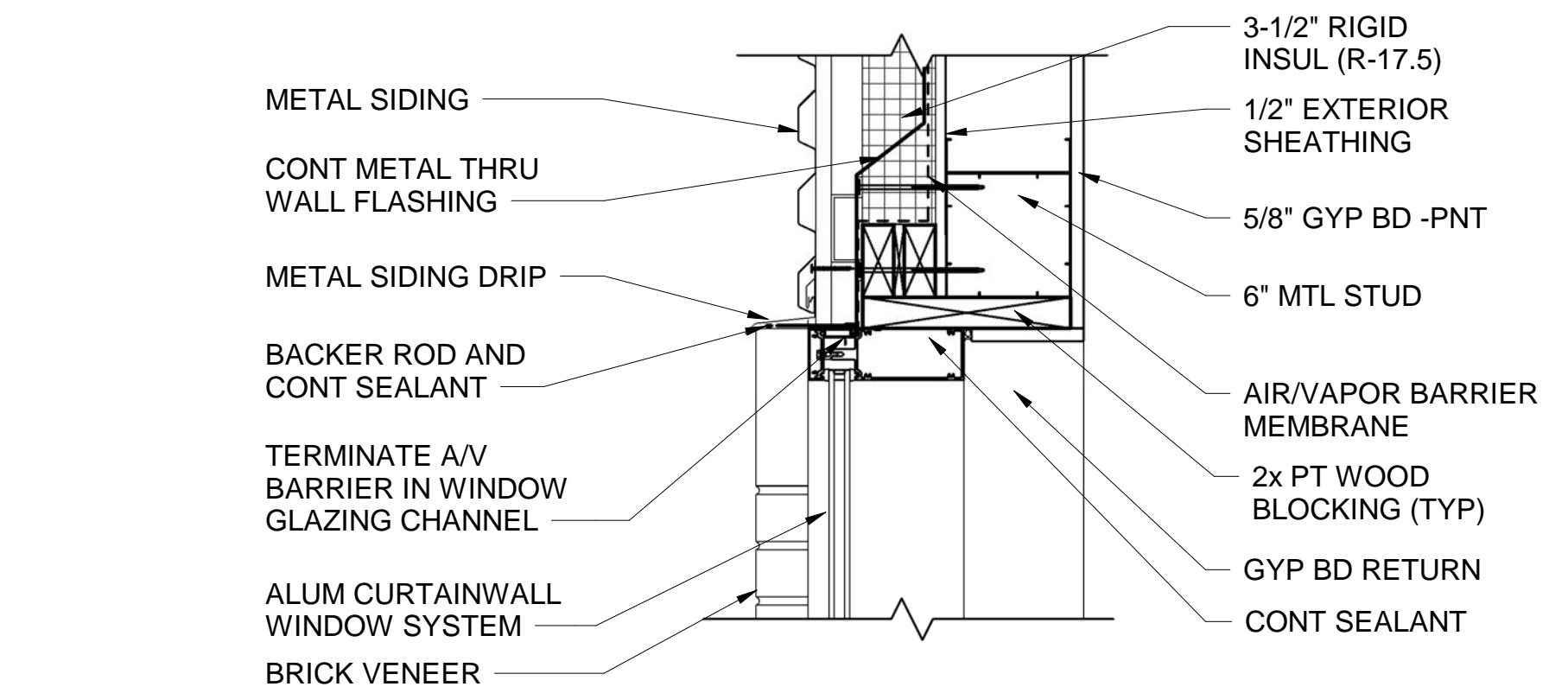
H VENT HEAD



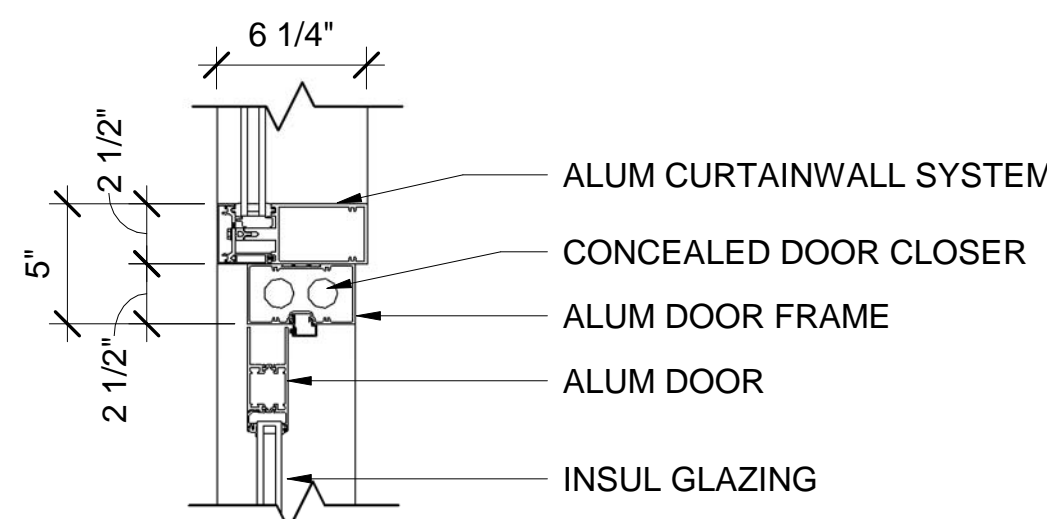
2 CURTAINWALL HEAD AT METAL SIDING (TYP)



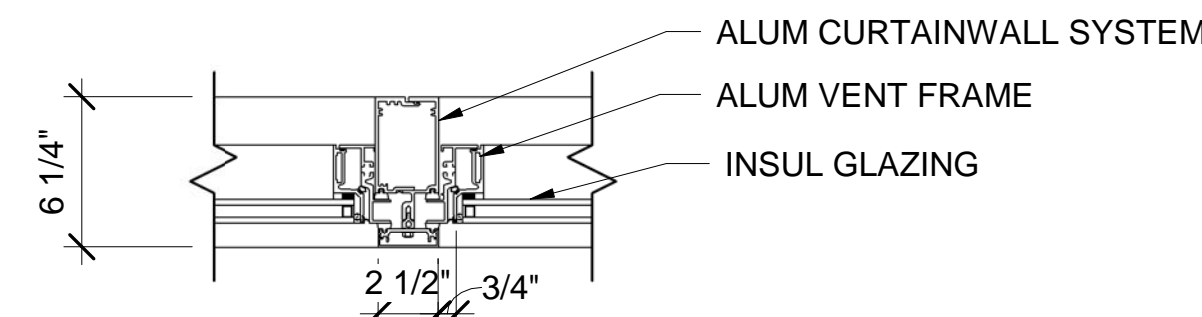
3 CURTAINWALL HEAD AT BRICK VENEER (TYP)



4 CURTAINWALL HEAD AT METAL SIDING TRANSITION (TYP)



C HORIZONTAL MULLION/DOOR HEAD

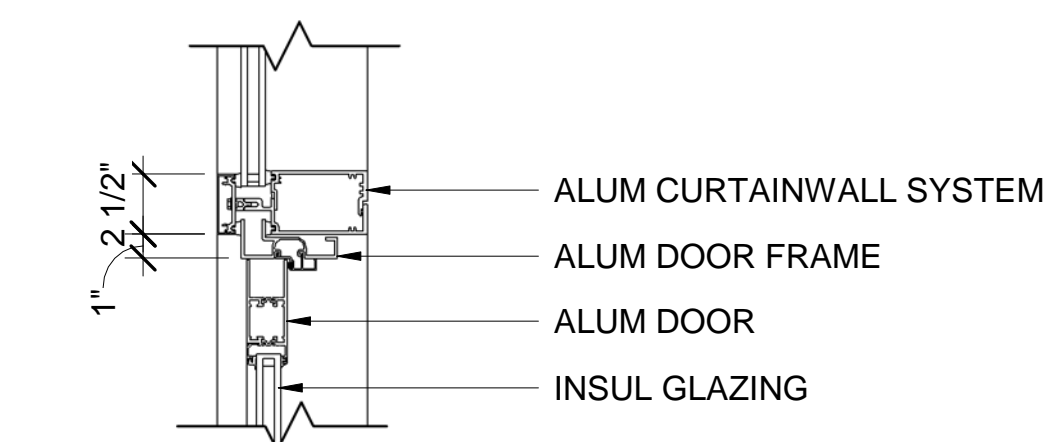


J VENT MULLION

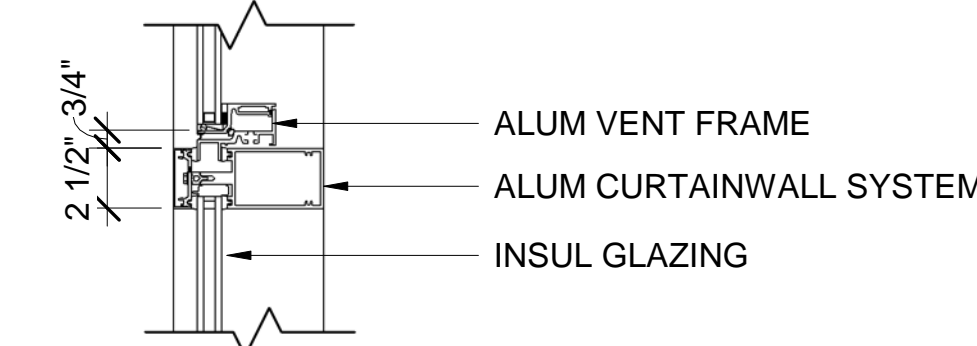
AE311 AE621 SCALE: 1 1/2" = 1'-0"

AE312 AE621 SCALE: 1 1/2" = 1'-0"

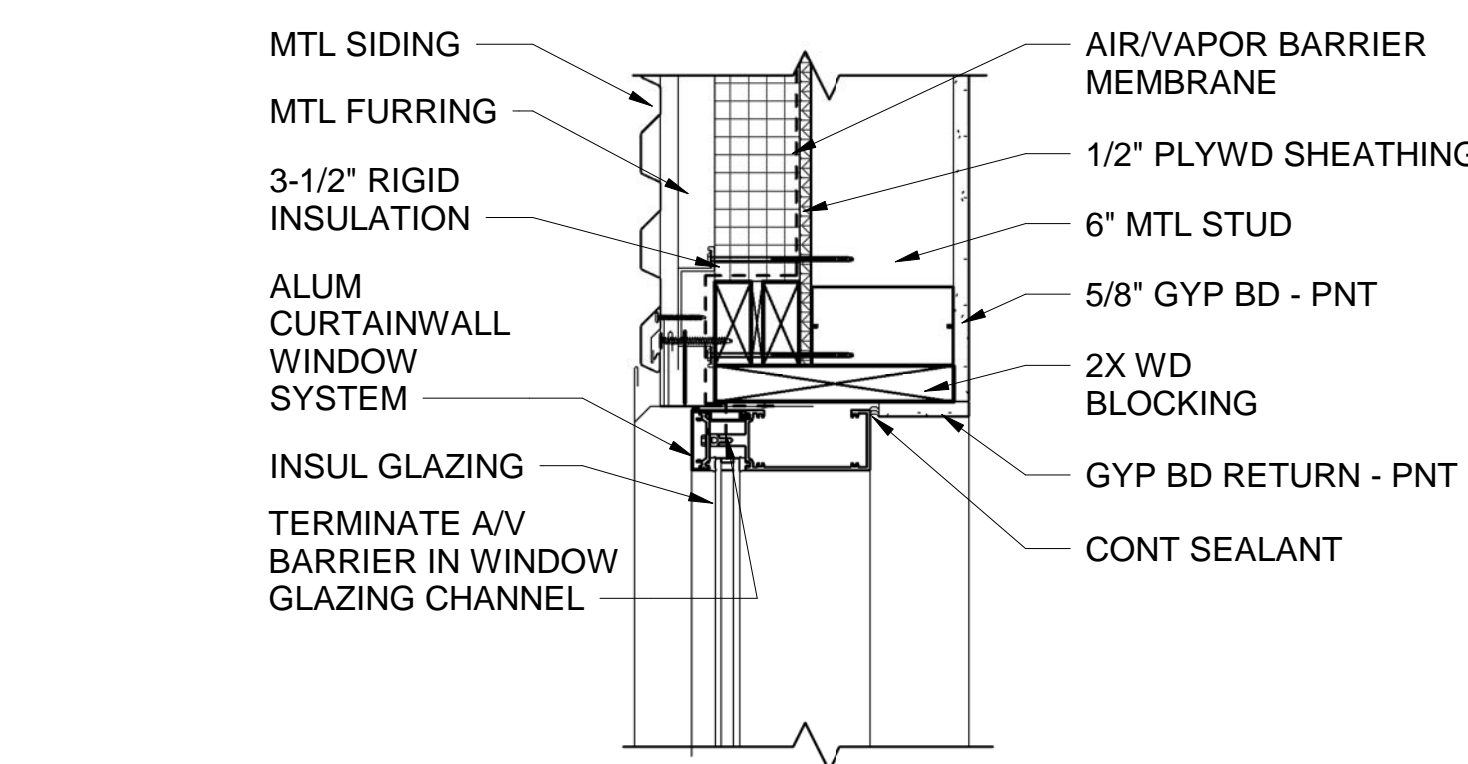
AE620 AE621 SCALE: 1 1/2" = 1'-0"



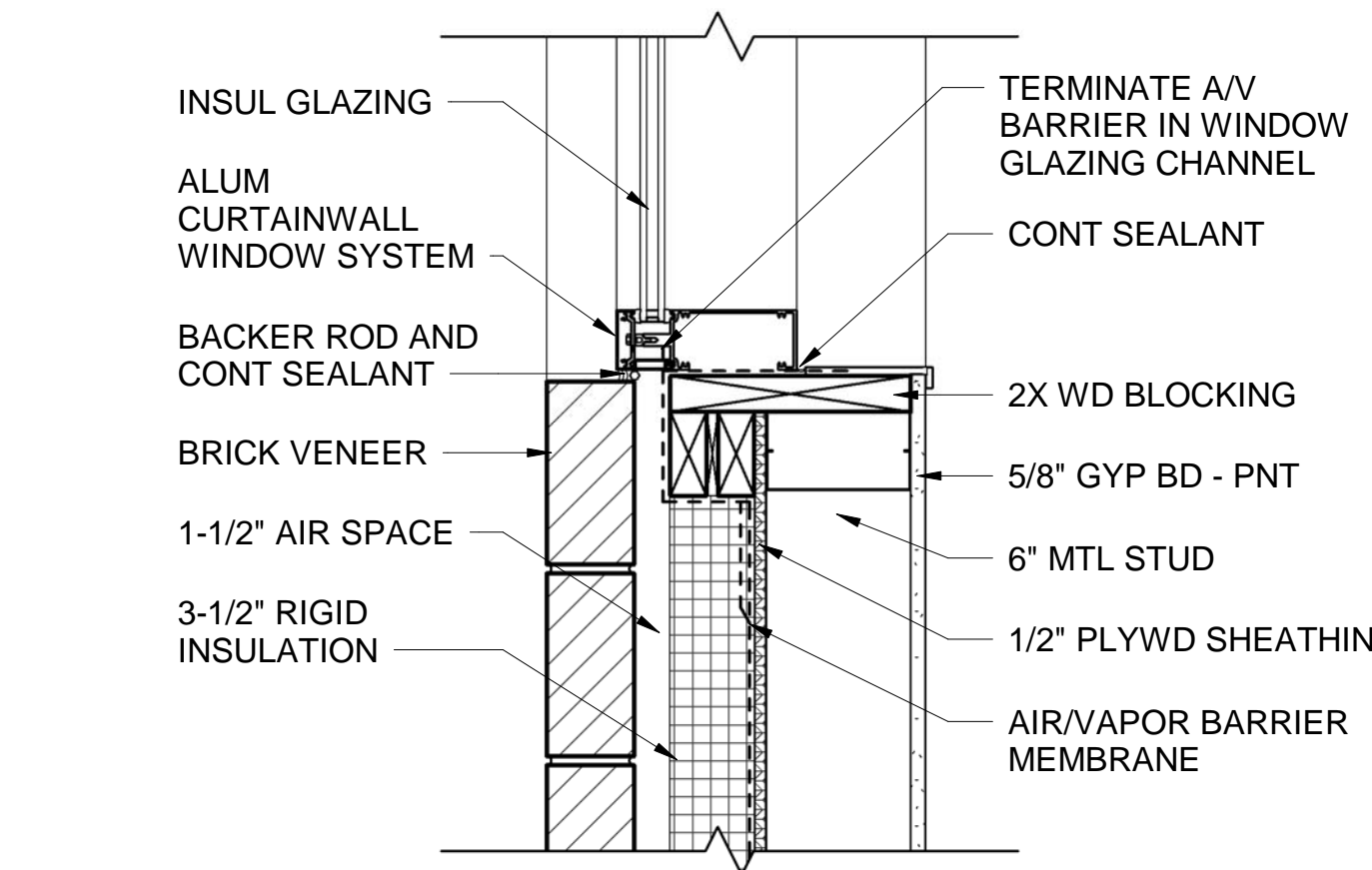
D DOOR HEAD



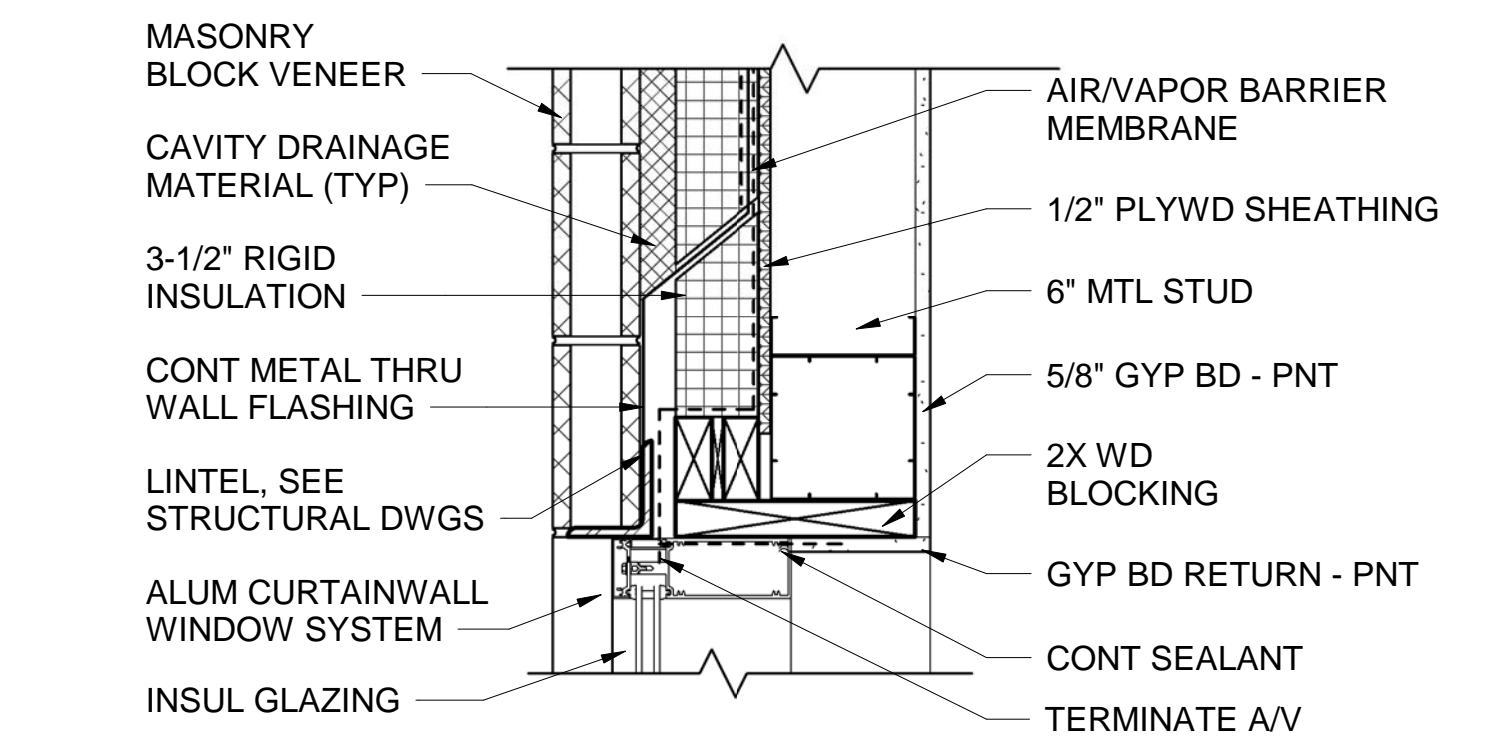
K VENT SILL



5 CURTAINWALL JAMB AT METAL SIDING DETAIL (TYP)



6 CURTAINWALL JAMB AT BRICK VENEER (TYP)

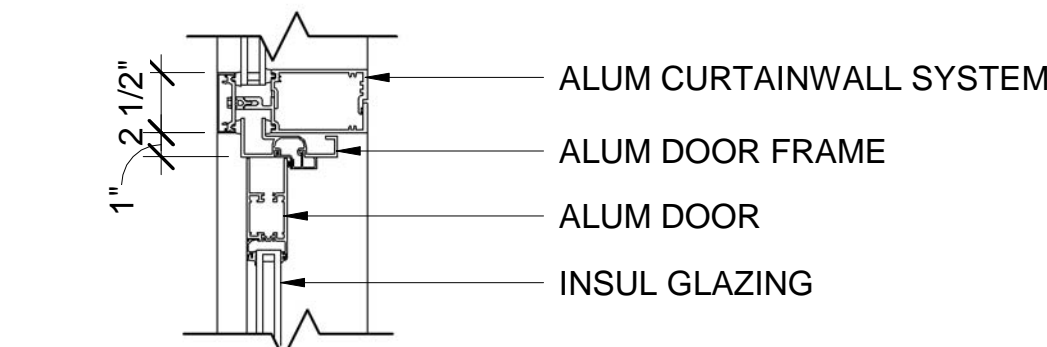


7 CURTAINWALL HEAD AT BLOCK VENEER (TYP)

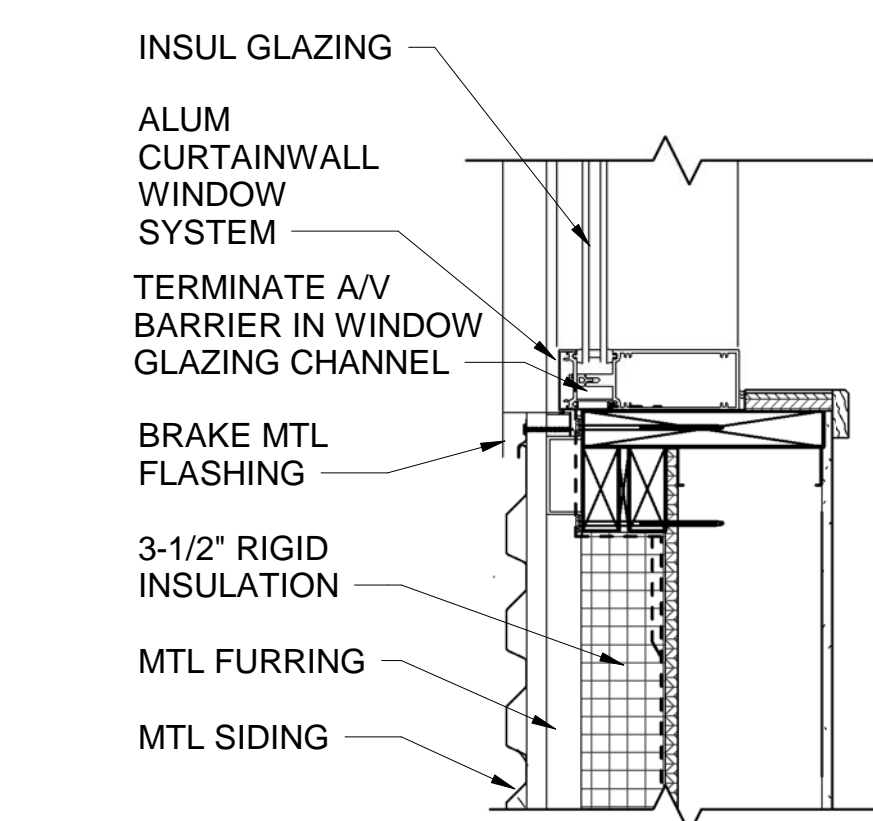
AE620 AE621 SCALE: 1 1/2" = 1'-0"

AE620 AE621 SCALE: 1 1/2" = 1'-0"

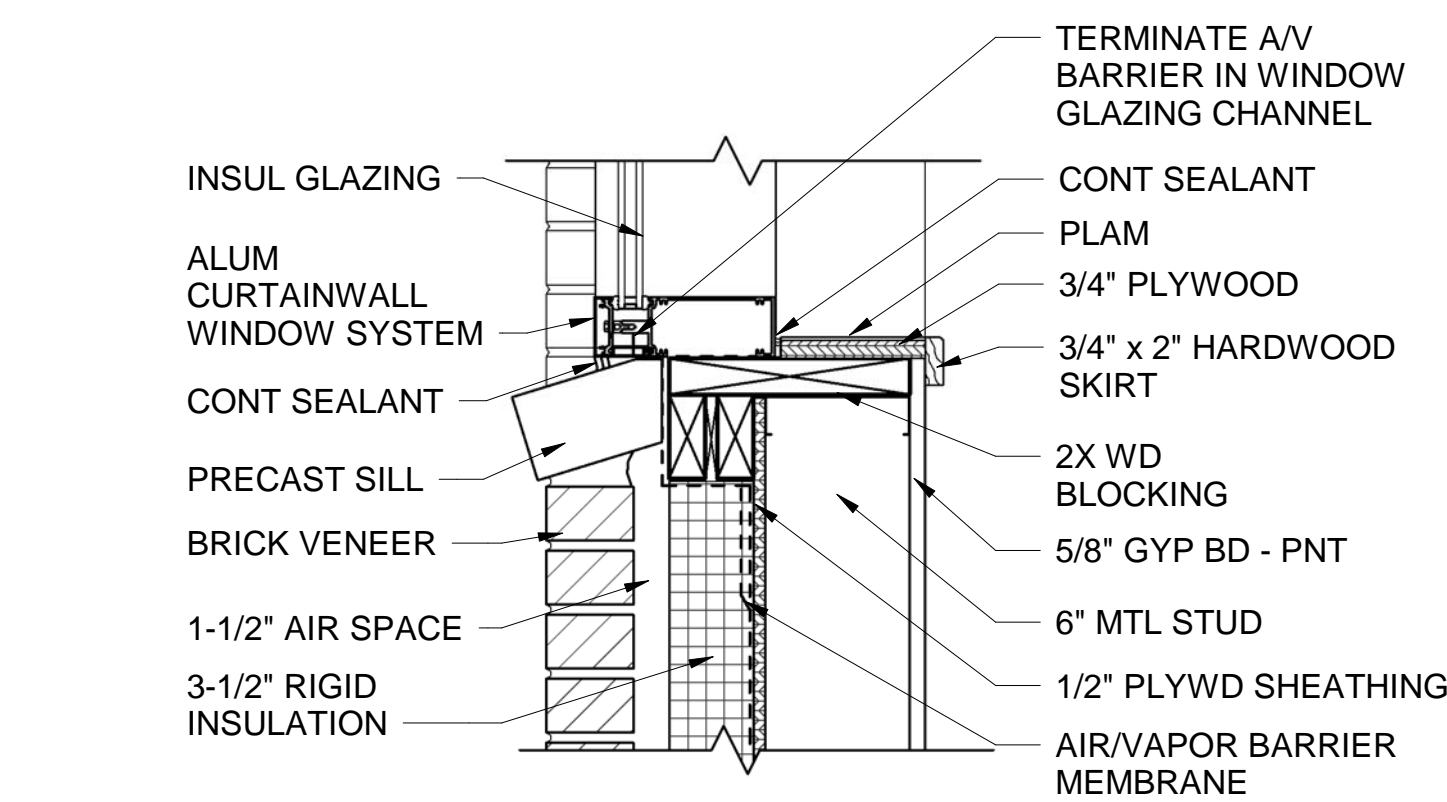
AE620 AE621 SCALE: 1 1/2" = 1'-0"



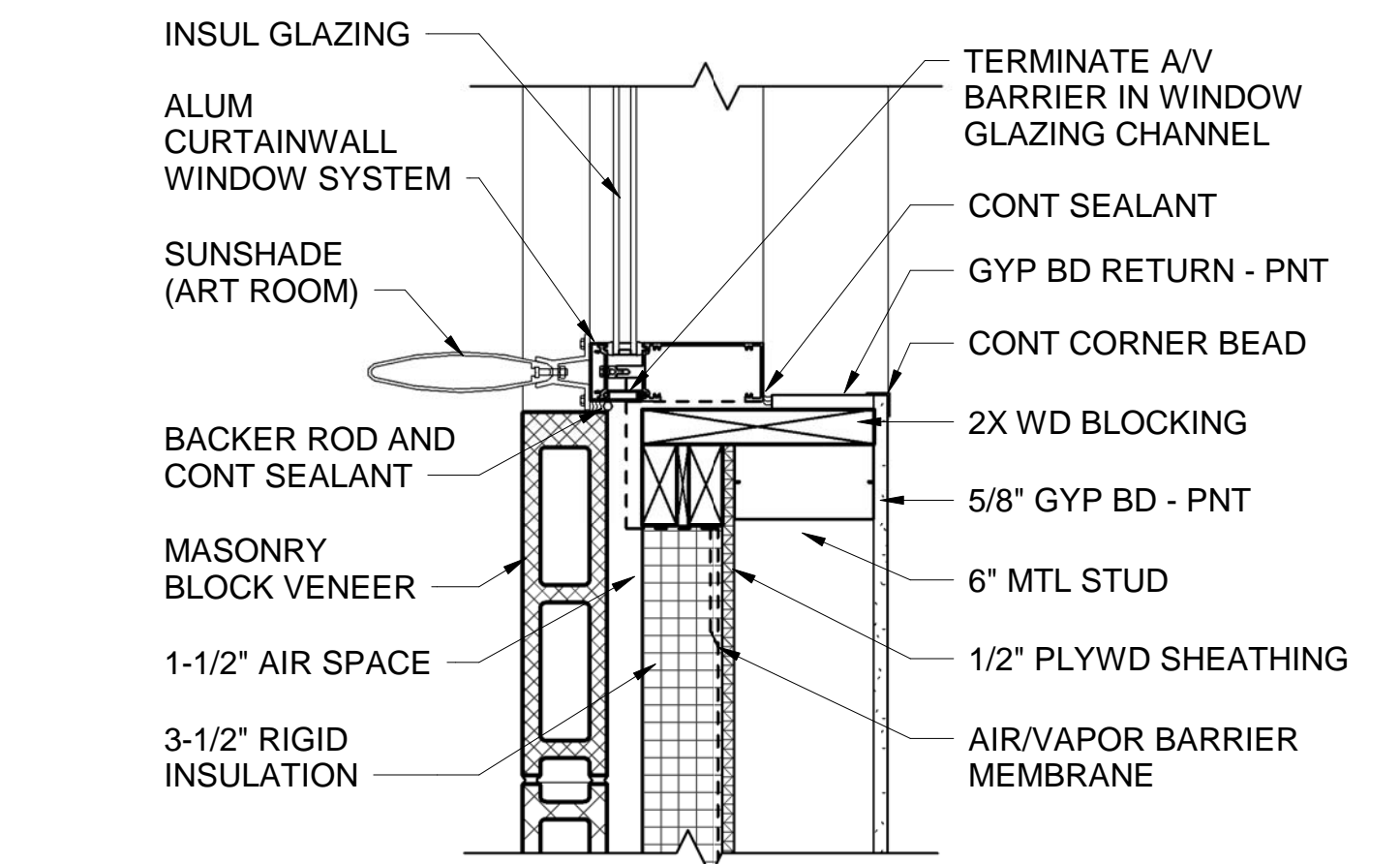
E DOOR JAMB



8 CURTAINWALL SILL AT METAL SIDING DETAIL (TYP)



9 CURTAINWALL SILL AT BRICK VENEER (TYP)

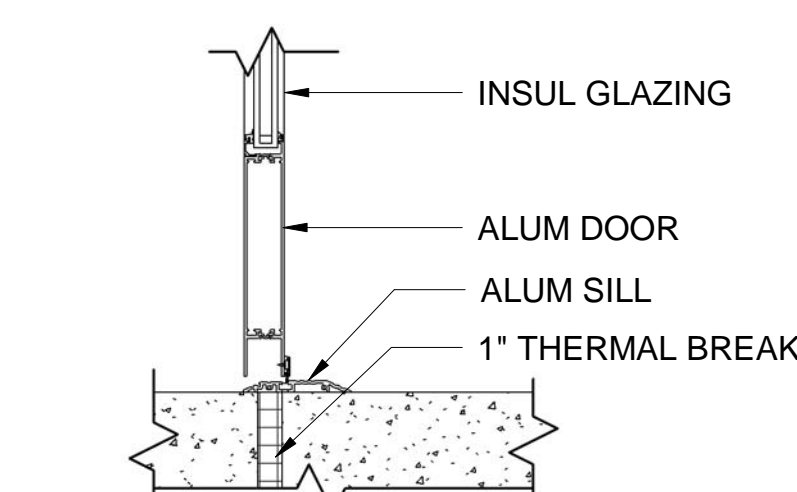


10 CURTAINWALL JAMB AT BLOCK VENEER (TYP)

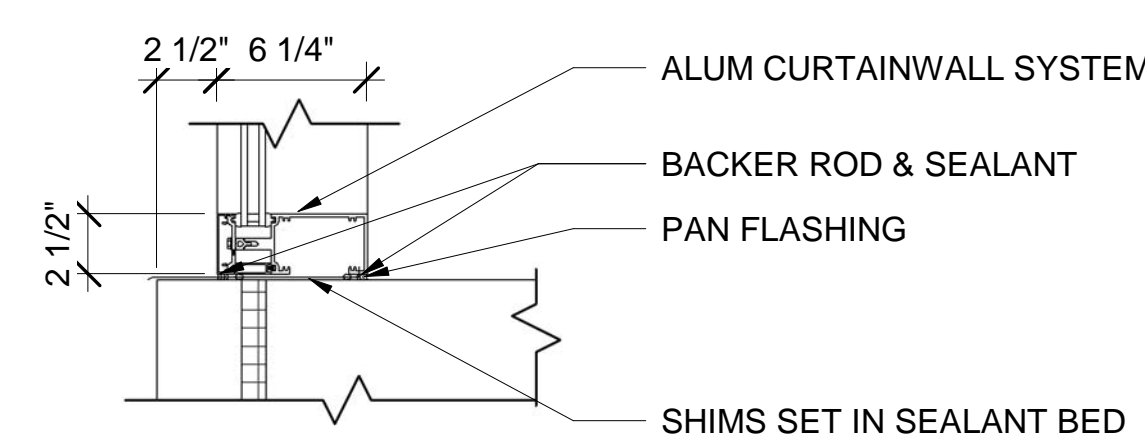
AE311 AE621 SCALE: 1 1/2" = 1'-0"

AE310 AE621 SCALE: 1 1/2" = 1'-0"

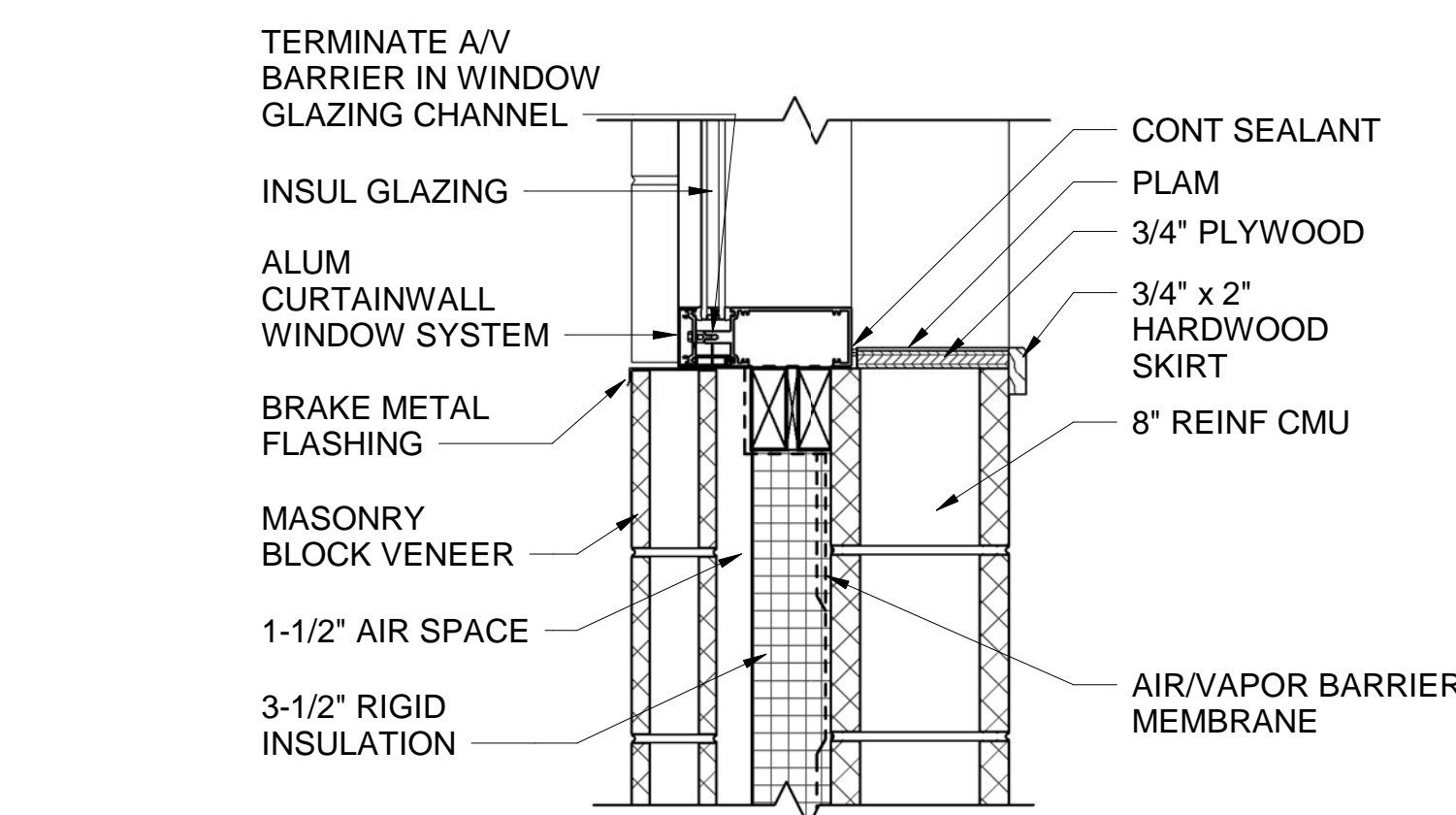
AE620 AE621 SCALE: 1 1/2" = 1'-0"



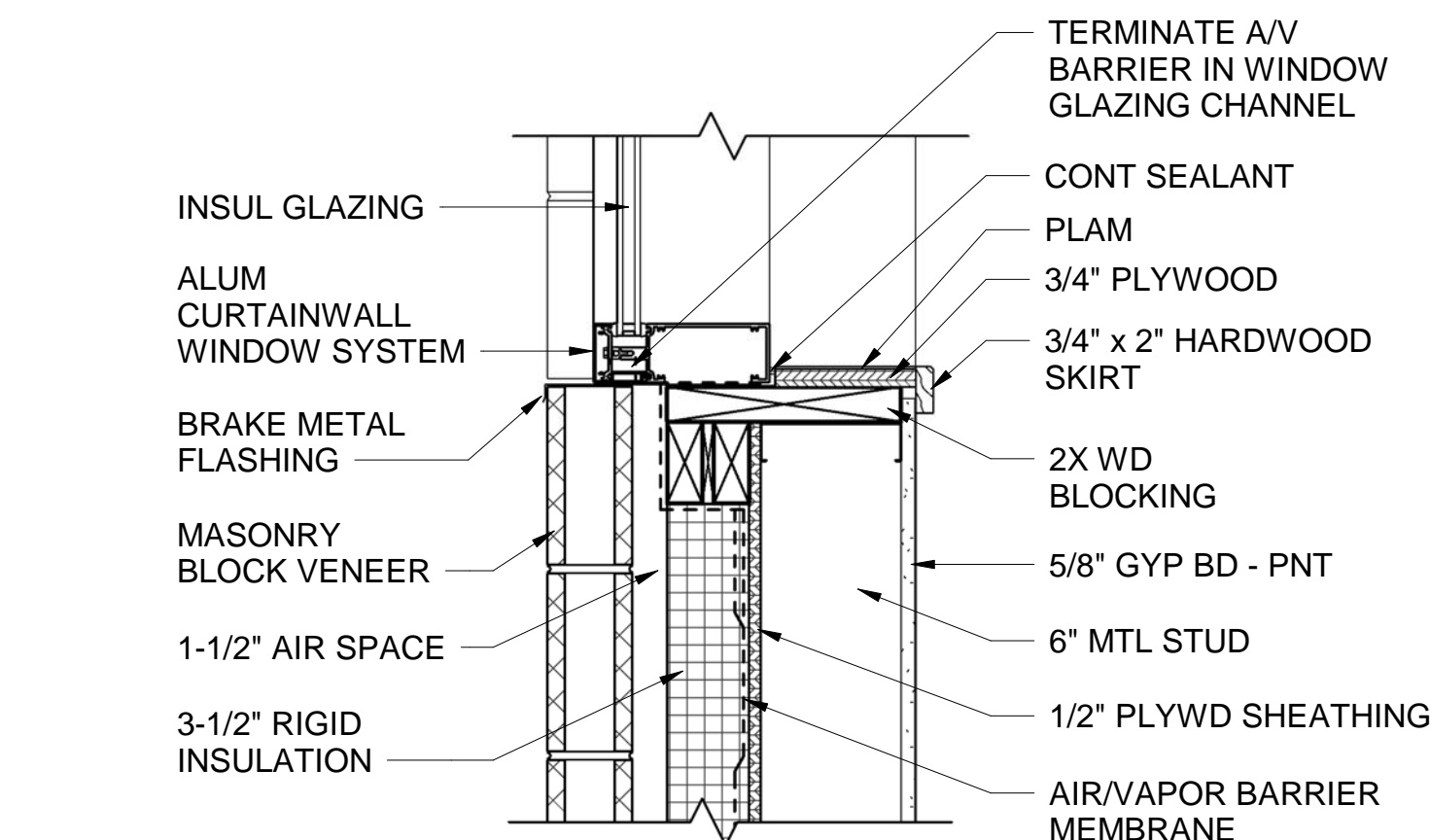
F DOOR SILL



G CURTAINWALL SILL



11 CURTAINWALL SILL AT BLOCK VENEER (TYP)



12 CURTAINWALL SILL AT BLOCK VENEER (TYP)

AE315 AE621 SCALE: 1 1/2" = 1'-0"

AE313 AE621 SCALE: 1 1/2" = 1'-0"

1 TYP CURTAINWALL FRAME DETAILS

AE621 SCALE: 1 1/2" = 1'-0"

- NOTES:**
- SEE SHEETS AE ___ FOR SPANDREL GLAZING AND INSULATED METAL PANEL LOCATIONS.
 - SEE WALL SECTIONS AND DETAILS FOR 3-1/2" RIGID INSULATION LOCATIONS.



		STATE OF MAINE PUBLIC SCHOOL PROJECT TITLE PORTLAND PUBLIC SCHOOLS NEW FRED P. HALL ELEMENTARY SCHOOL LOCATION 23 ORONO ROAD, PORTLAND, ME TITLE THIS DWG. CURTAINWALL DETAILS	
		DRAWN BY: JGB CHECK BY: TGB	DATE 03/17/17
NO. DATE	DESCRIPTION	BY	NO.
	REVISIONS		