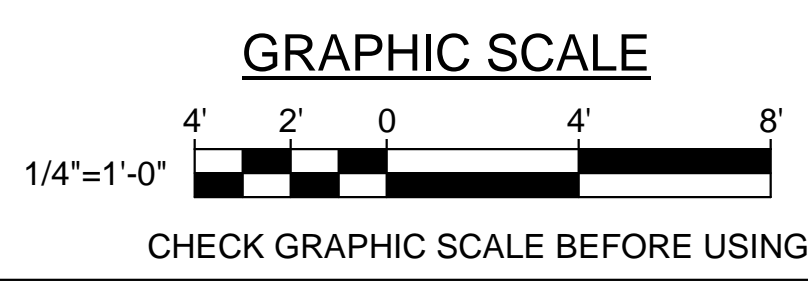
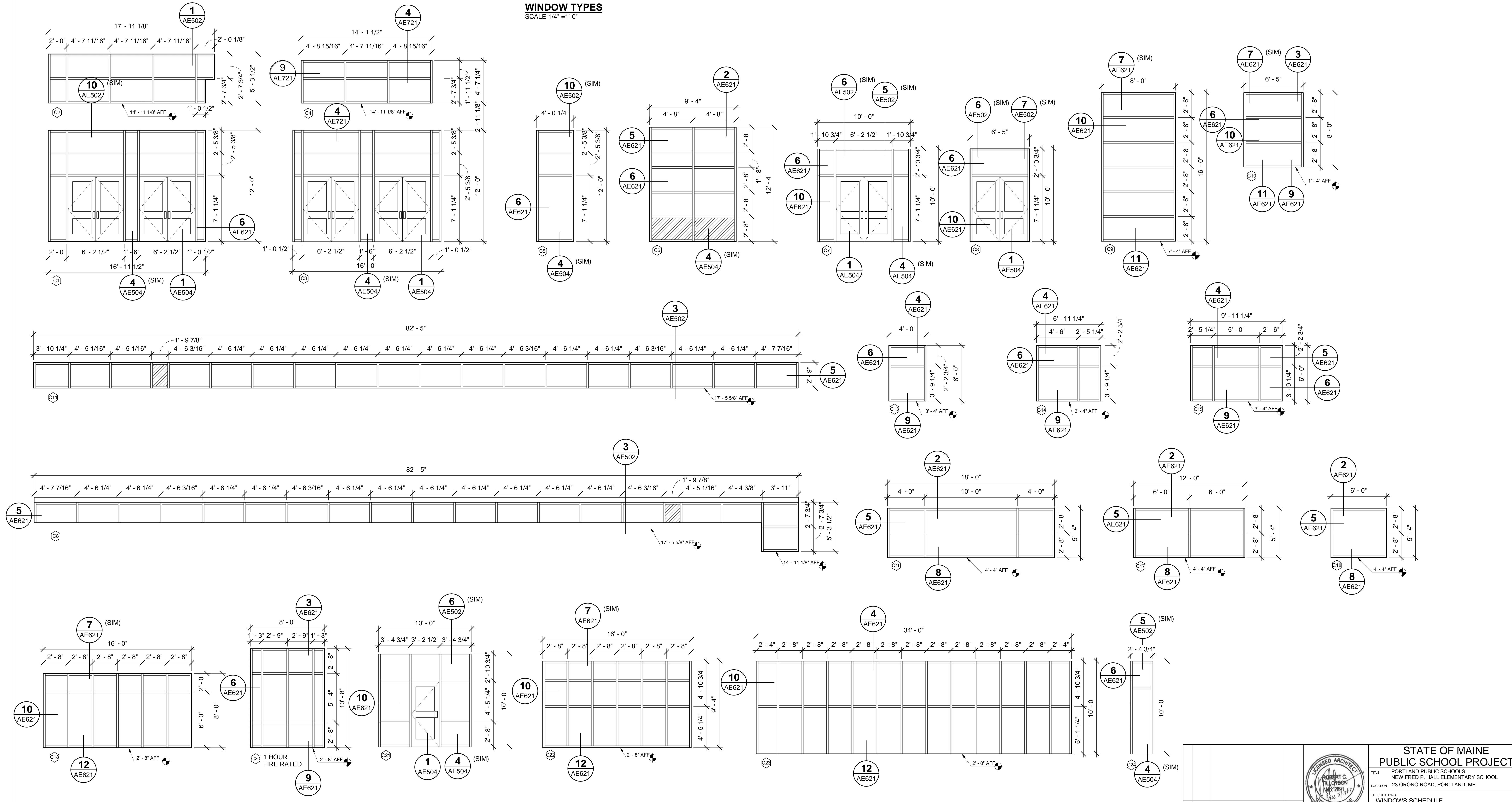
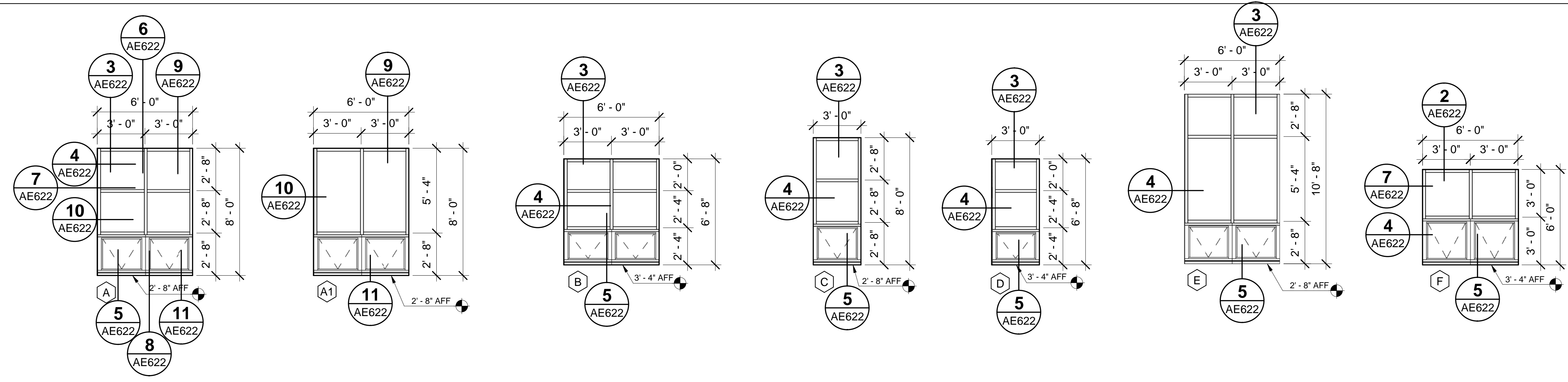


WINDOW SCHEDULE										
TYPE	MATERIAL			DETAILS			MOUNTING		NOTES	
	WIDTH	HEIGHT	MAT	FINISH	HEAD	JAMB	SILL	HEAD HEIGHT		SILL HEIGHT
A	6'-0"	8'-0"	ALUM	HPC	3,6,9/AE622	4,7,10/AE622	5,8,11/AE622	10'-8"	2'-8"	
A1	6'-0"	8'-0"	ALUM	HPC	9/AE622	10/AE622	11/AE622	10'-8"	2'-8"	
B	6'-0"	6'-8"	ALUM	HPC	3/AE622	4/AE622	5/AE622	10'-0"	3'-4"	
C	3'-0"	8'-0"	ALUM	HPC	3/AE622	4/AE622	5/AE622	10'-8"	2'-8"	
D	3'-0"	6'-8"	ALUM	HPC	3/AE622	4/AE622	5/AE622	10'-0"	3'-4"	
E	6'-0"	10'-8"	ALUM	HPC	3/AE622	4/AE622	5/AE622	13'-4"	2'-8"	
F	6'-0"	6'-0"	ALUM	HPC	2/AE622	4,7/AE622	5/AE622	9'-4"	3'-4"	



		STATE OF MAINE PUBLIC SCHOOL PROJECT TITLE: PORTLAND PUBLIC SCHOOLS NEW FRED P. HALL ELEMENTARY SCHOOL LOCATION: 23 ORONO ROAD, PORTLAND, ME TITLE THIS DWG: WINDOWS SCHEDULE	
		DRAWN BY: CET CHECK BY: TGB	NO. DATE DESCRIPTION REVISIONS
OAK POINT ASSOCIATES 231 Main Street, Biddeford, Maine 04005		DRAWING NO.: AE620 SHEET NO.:	184 OF 312