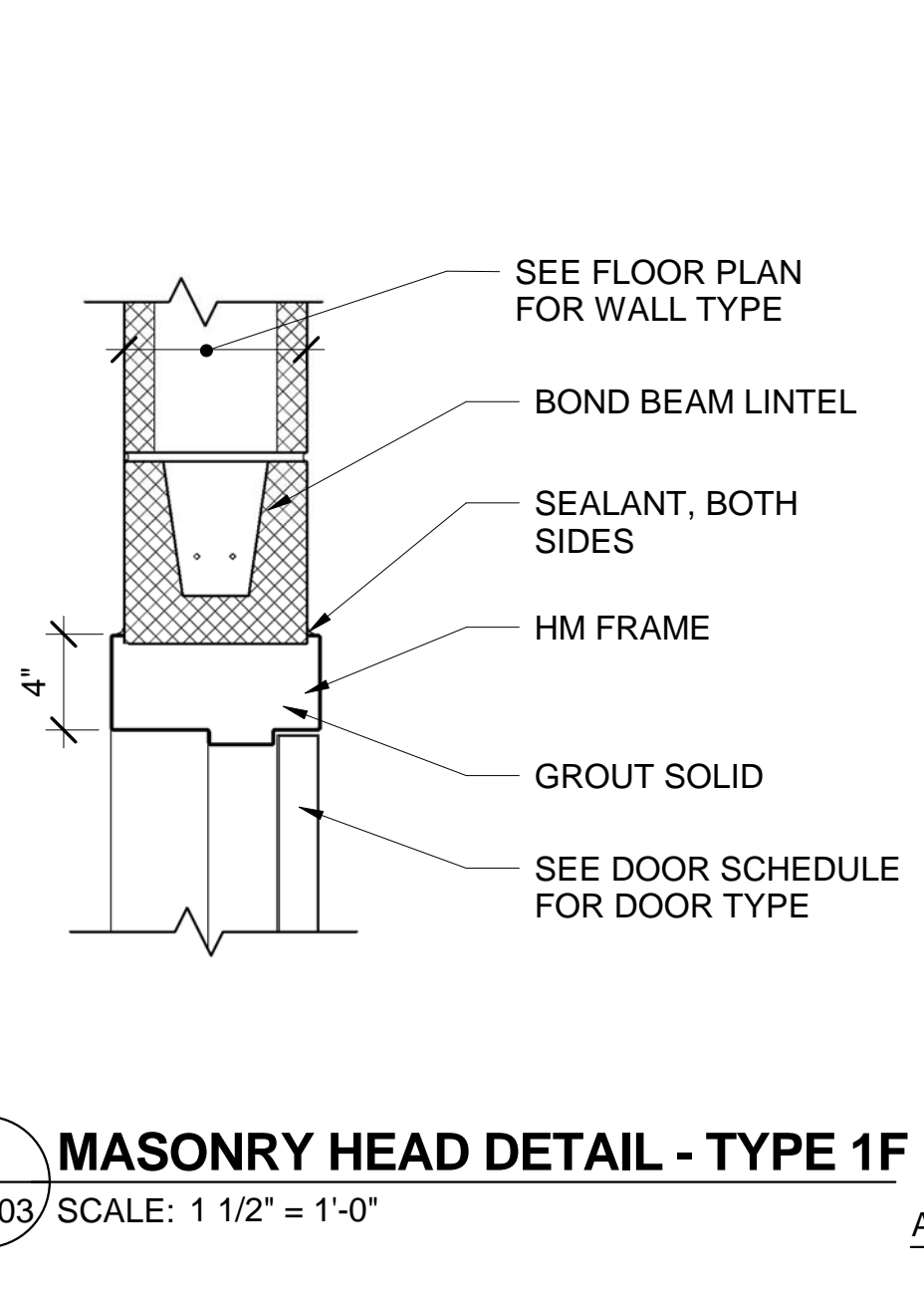
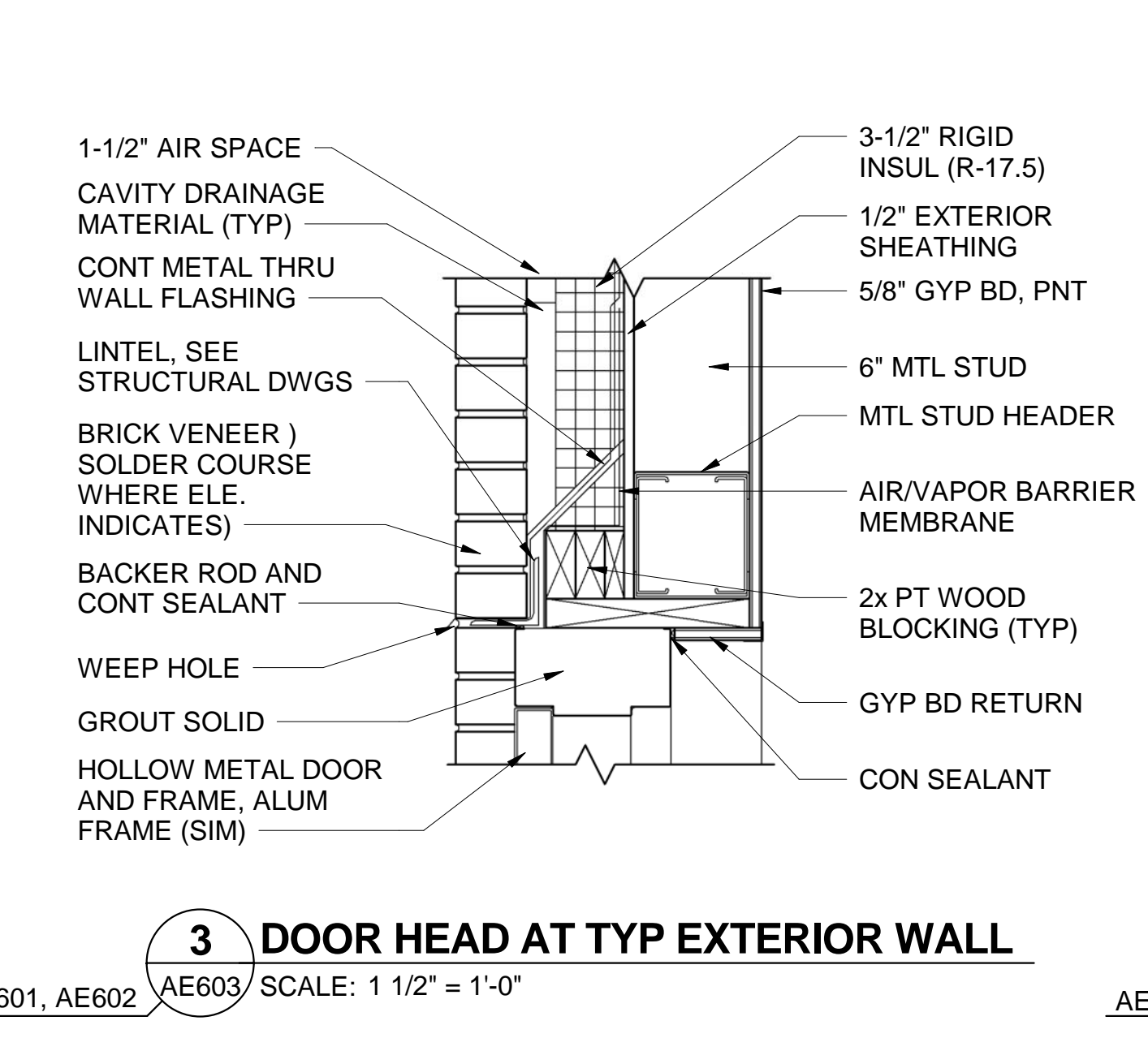


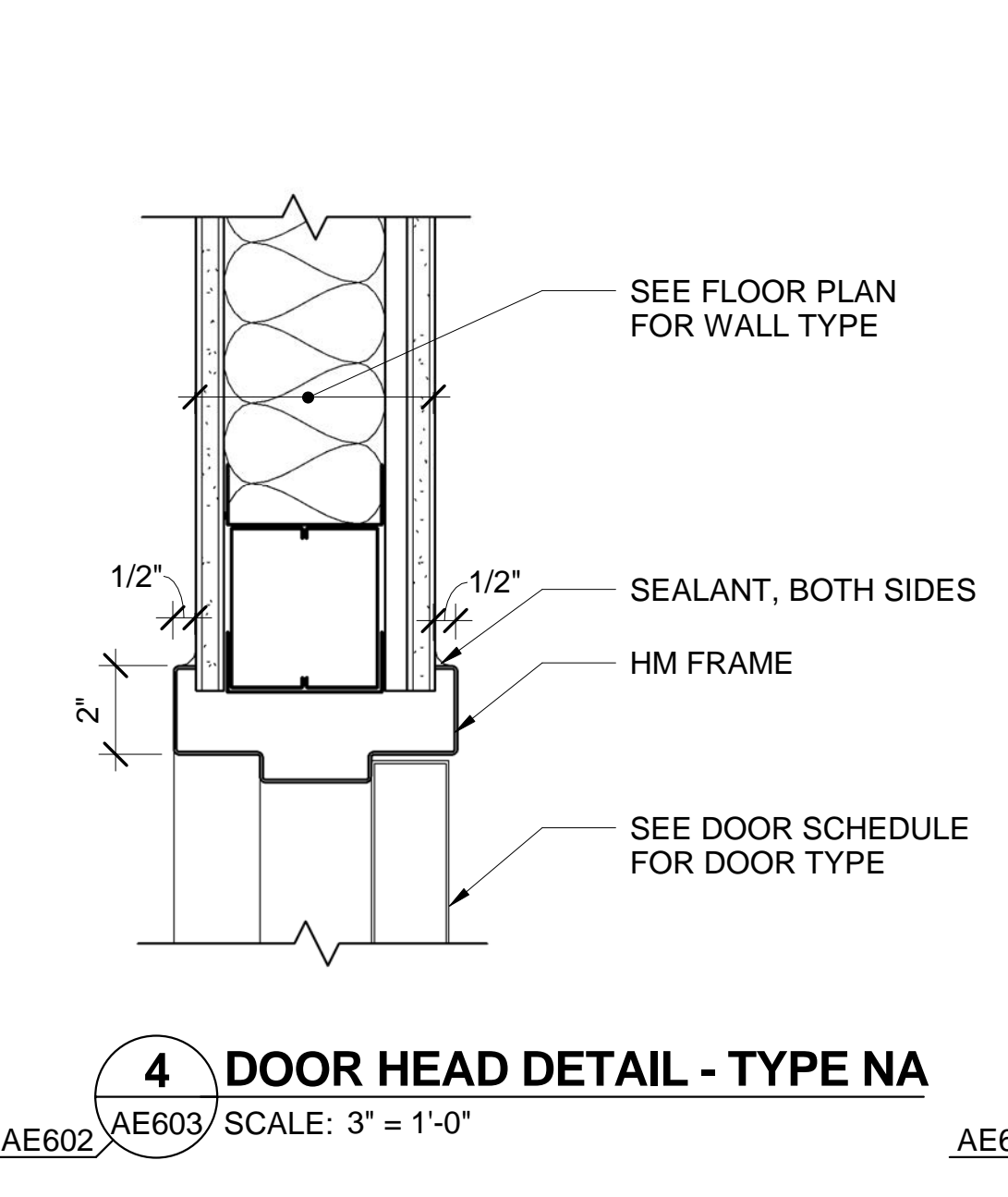
1 DOOR HEAD DETAIL - TYPE 3B
AE601, AE602 AE603 SCALE: 3" = 1'-0"



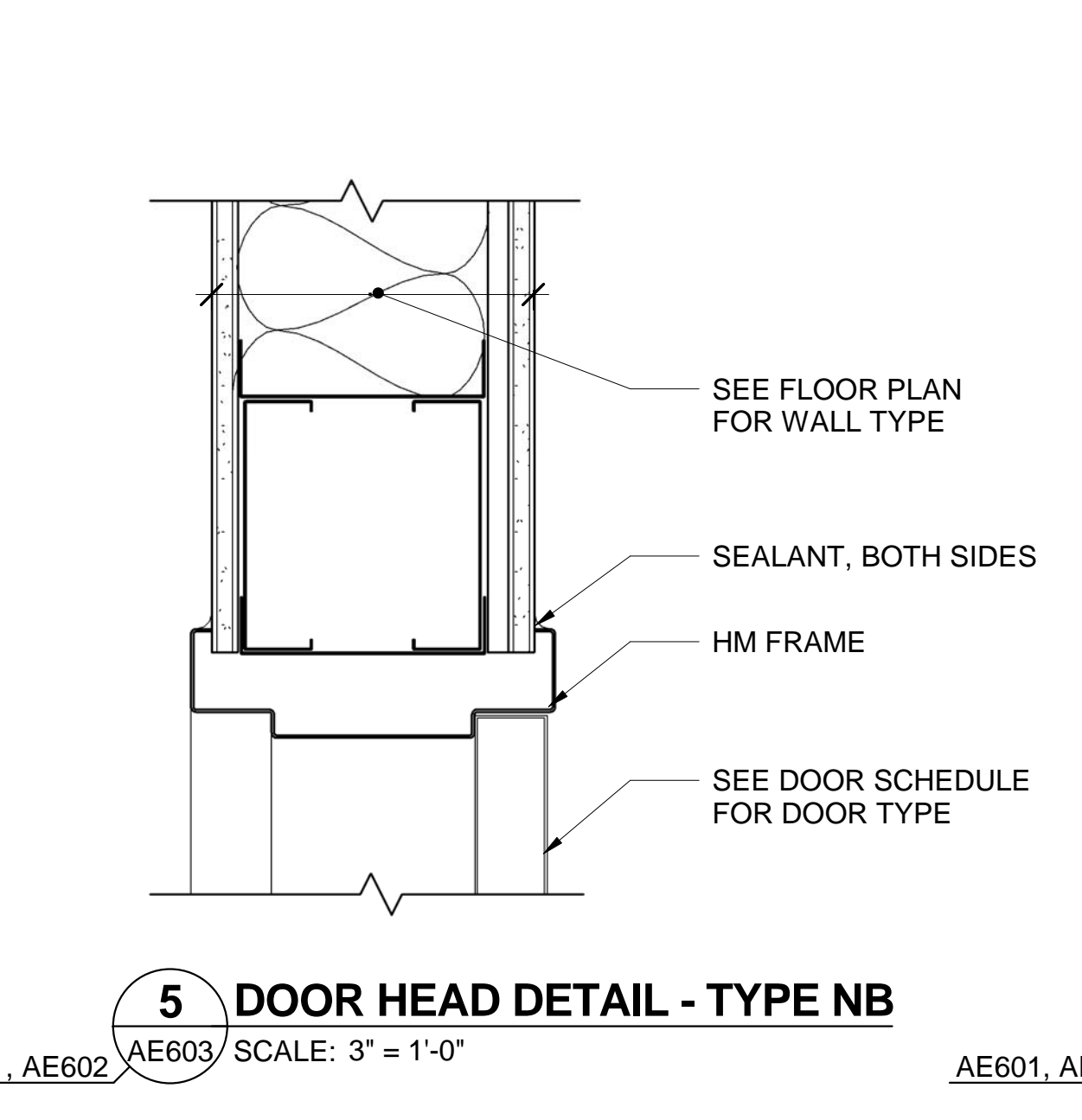
2 MASONRY HEAD DETAIL - TYPE 1F
AE601, AE602 AE603 SCALE: 1 1/2" = 1'-0"



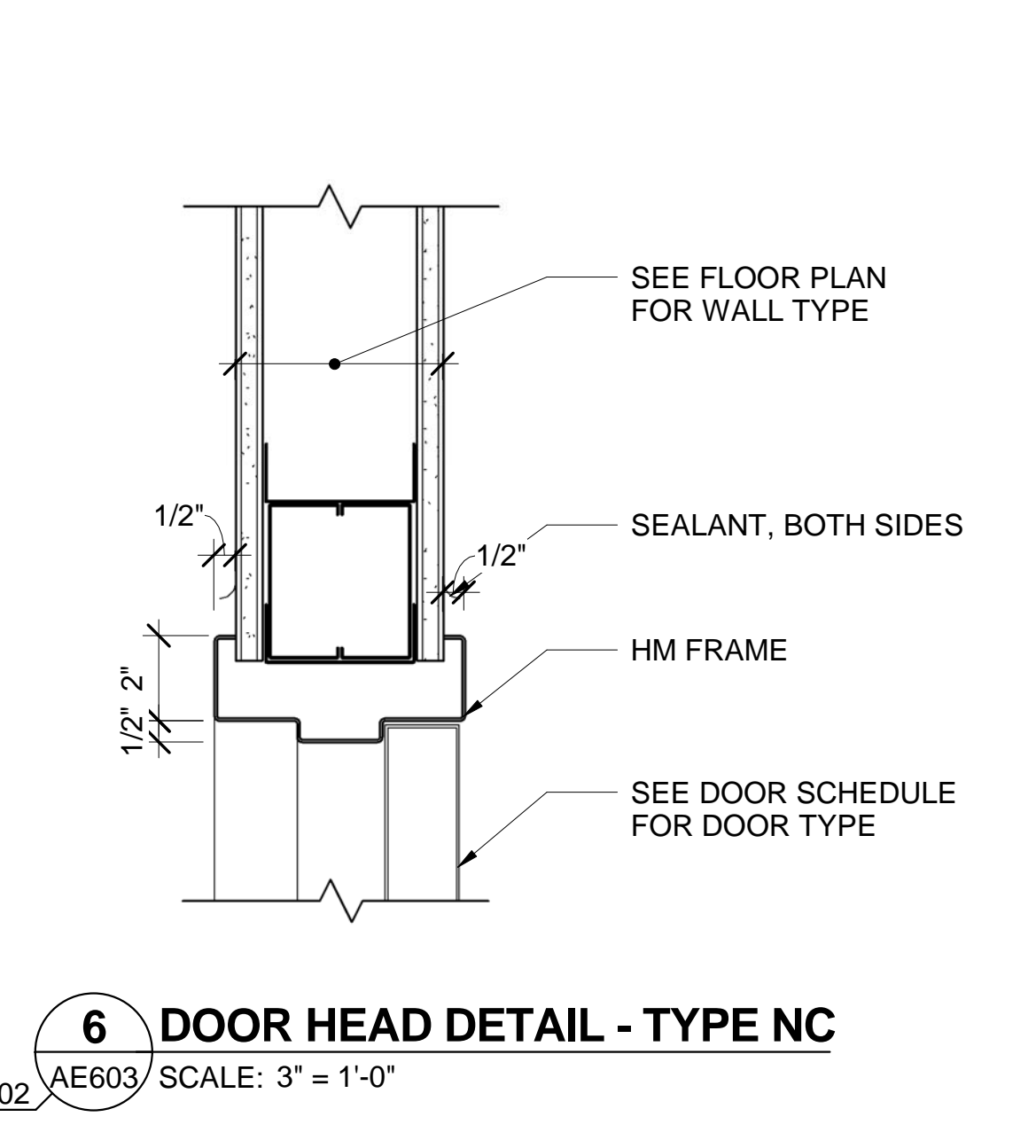
3 DOOR HEAD AT TYP EXTERIOR WALL
AE601, AE602 AE603 SCALE: 1 1/2" = 1'-0"



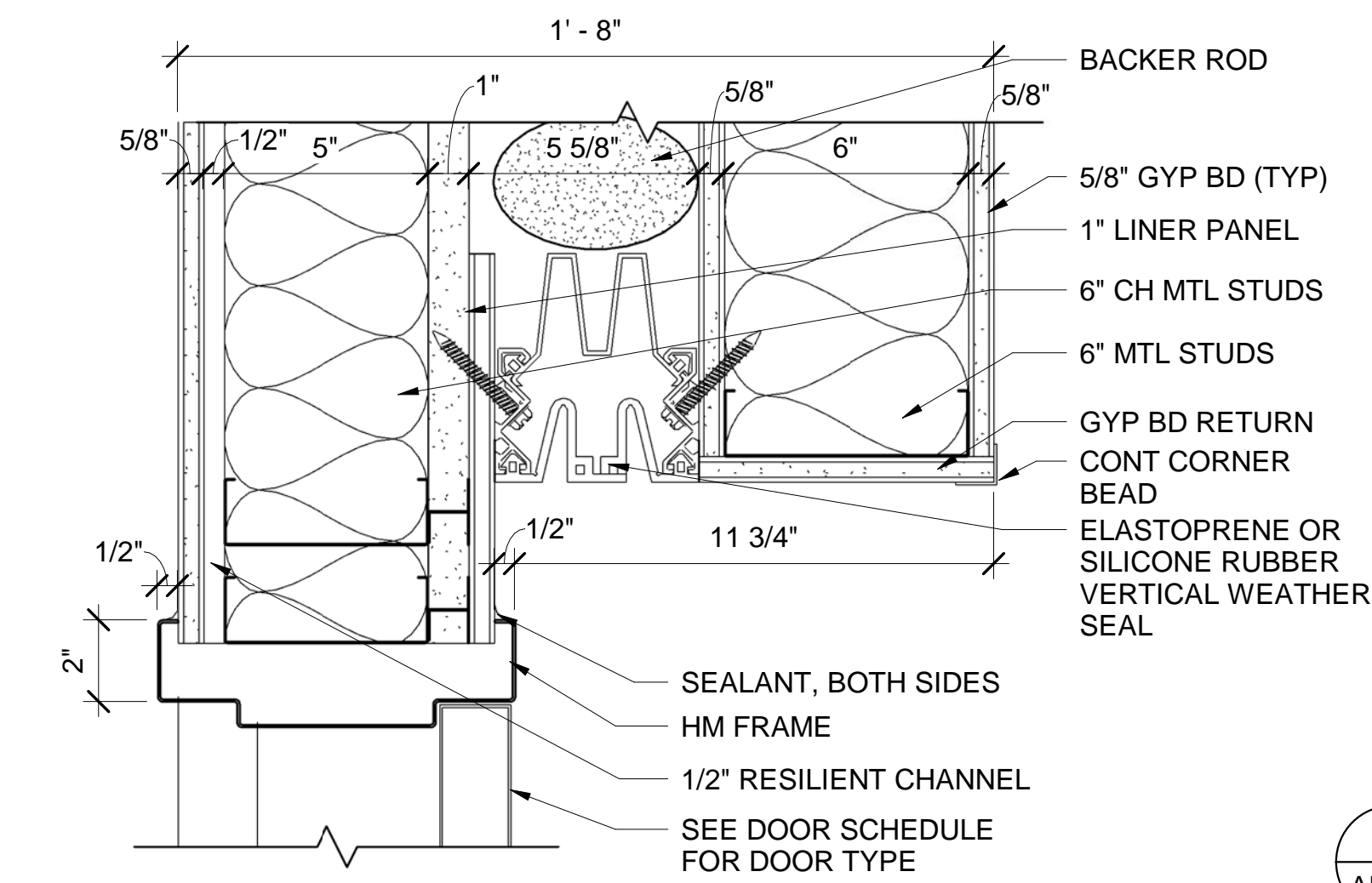
4 DOOR HEAD DETAIL - TYPE NA
AE601, AE602 AE603 SCALE: 3" = 1'-0"



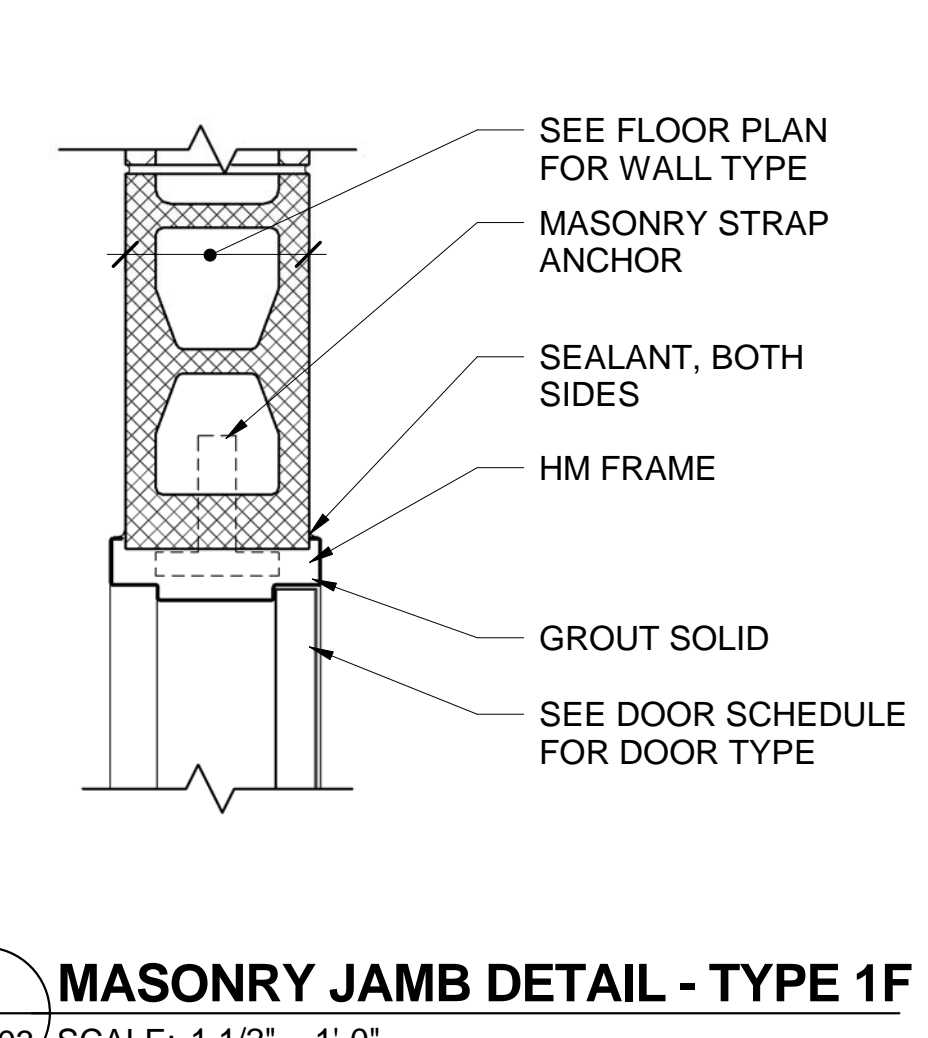
5 DOOR HEAD DETAIL - TYPE NB
AE601, AE602 AE603 SCALE: 3" = 1'-0"



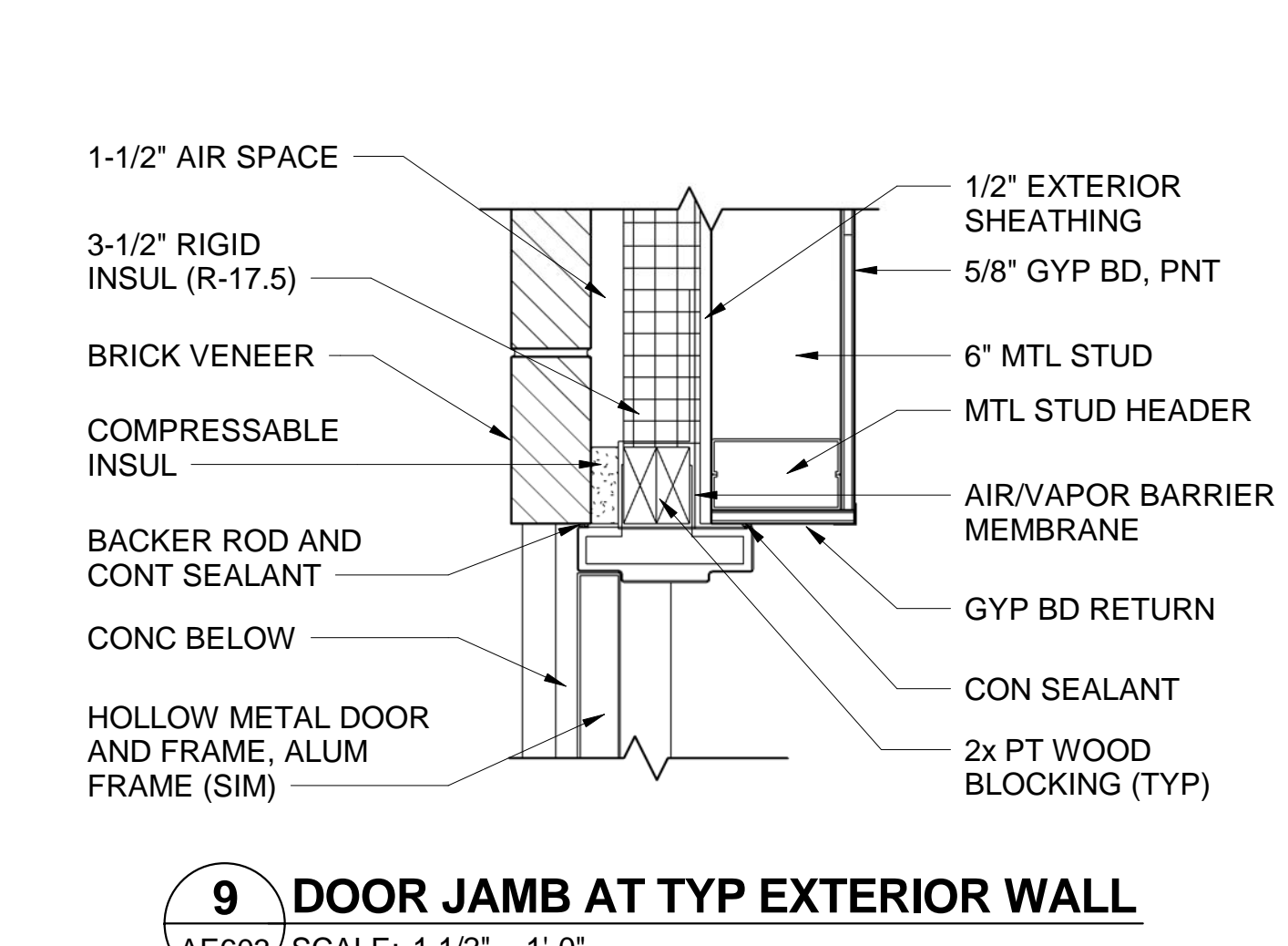
6 DOOR HEAD DETAIL - TYPE NC
AE601, AE602 AE603 SCALE: 3" = 1'-0"



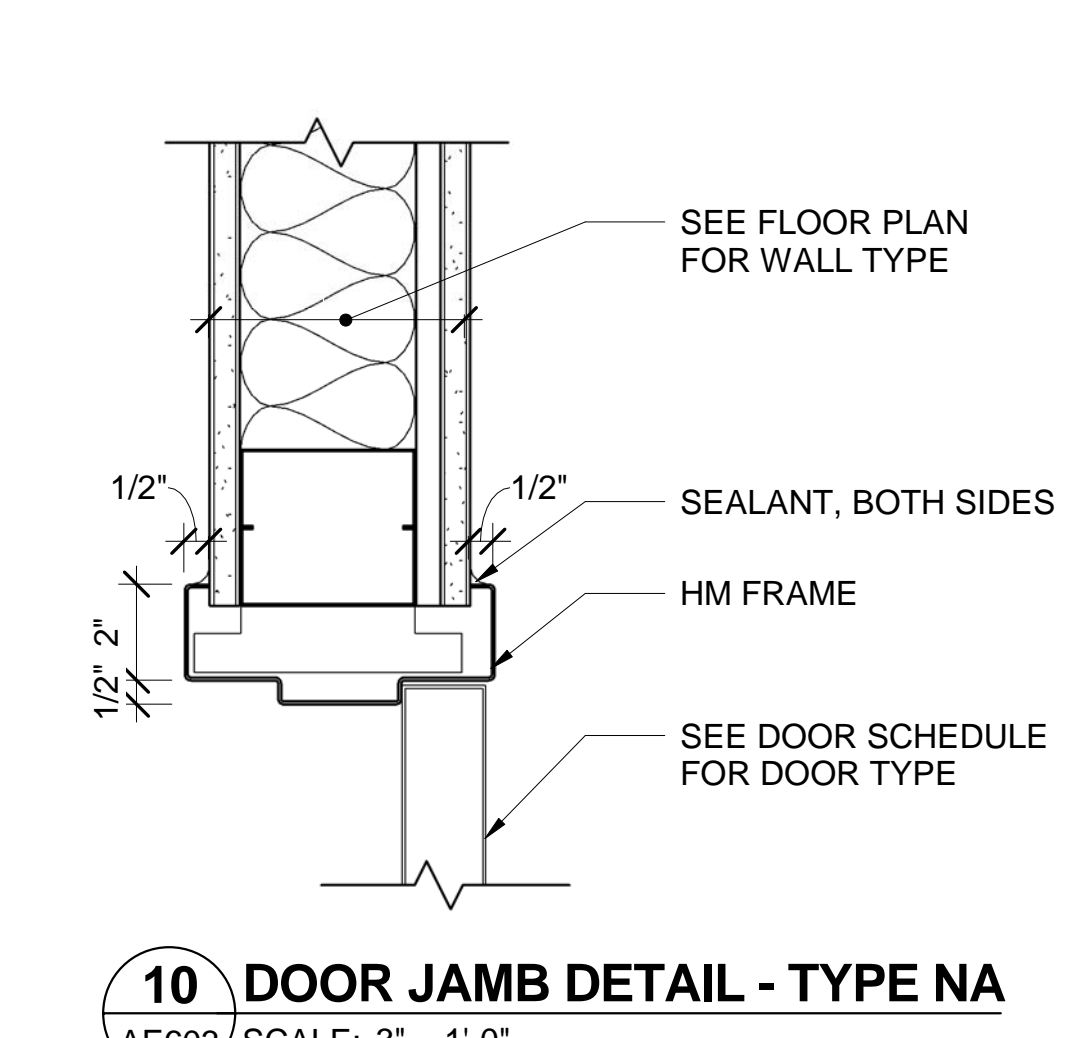
7 DOOR JAMB DETAIL - TYPE 3B
AE601, AE602 AE603 SCALE: 3" = 1'-0"



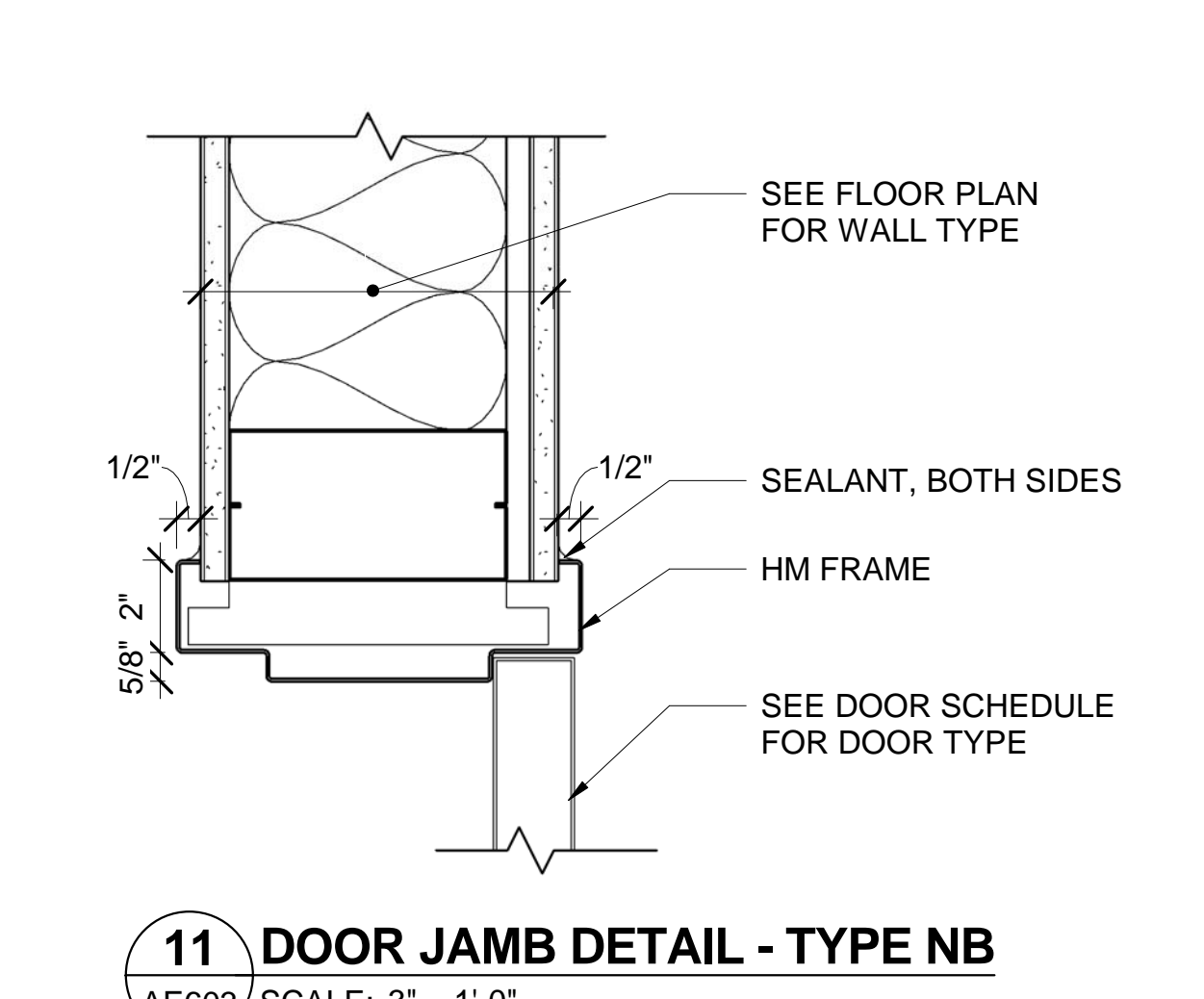
8 MASONRY JAMB DETAIL - TYPE 1F
AE601, AE602 AE603 SCALE: 1 1/2" = 1'-0"



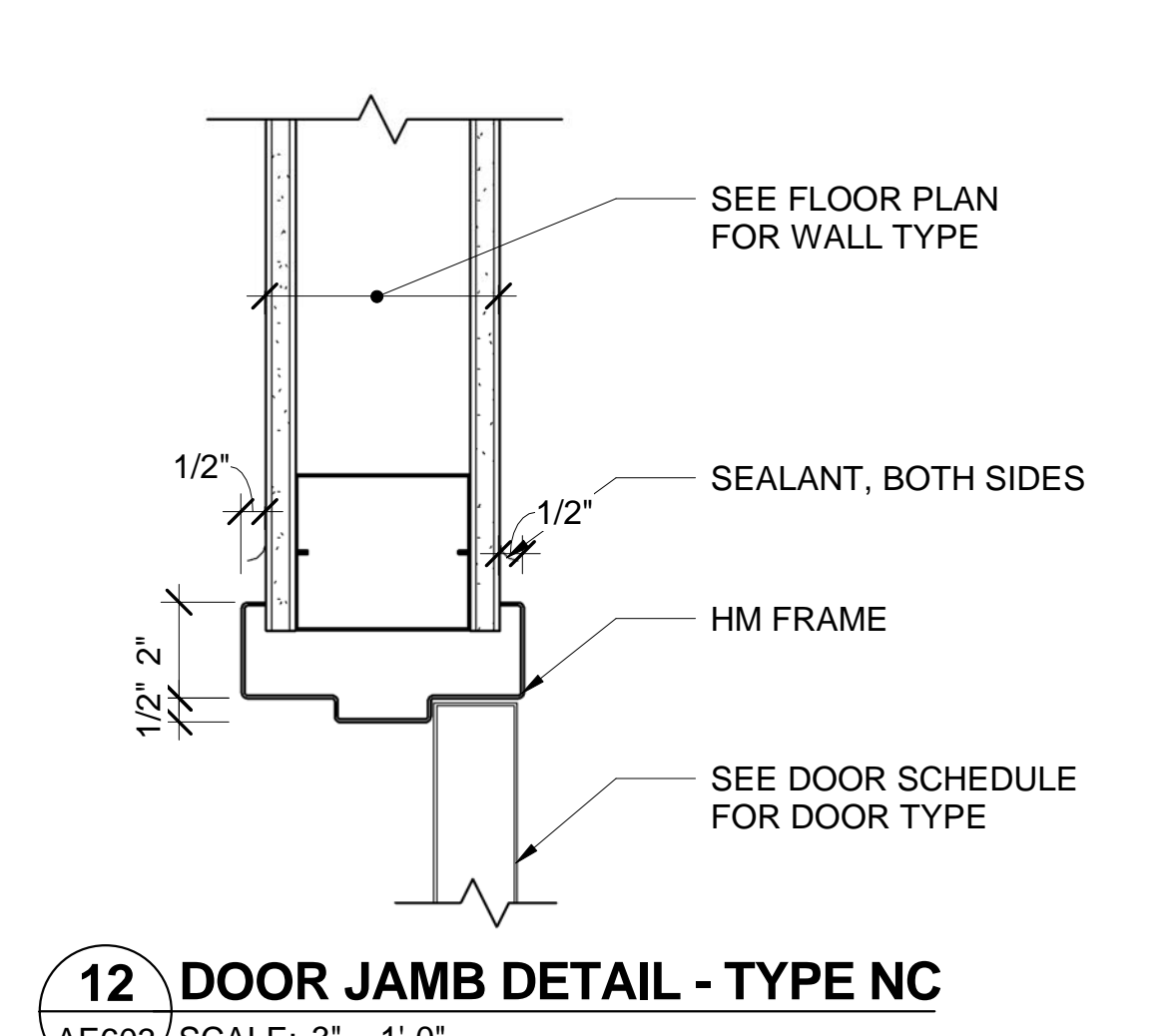
9 DOOR JAMB AT TYP EXTERIOR WALL
AE601, AE602 AE603 SCALE: 1 1/2" = 1'-0"



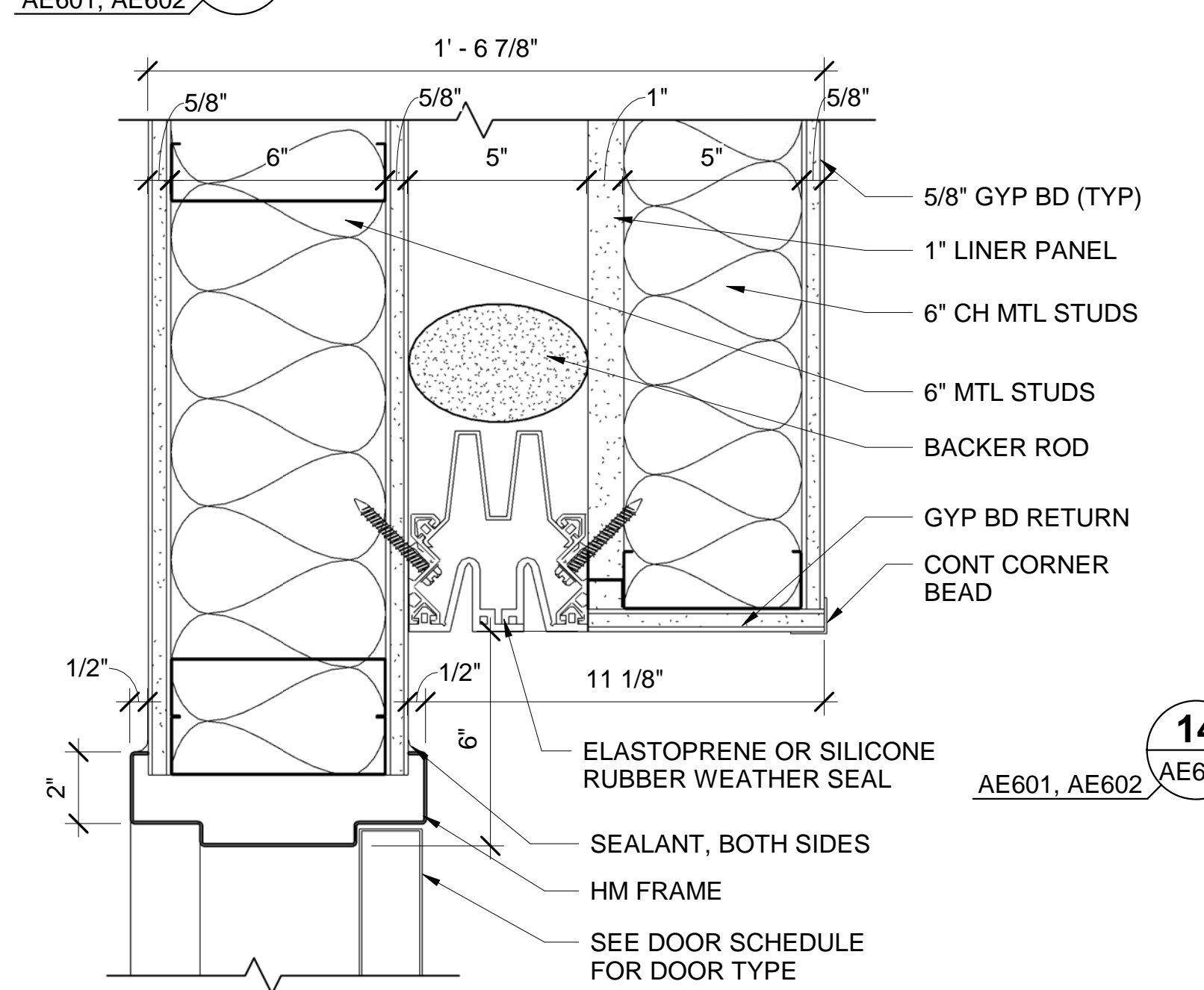
10 DOOR JAMB DETAIL - TYPE NA
AE601, AE602 AE603 SCALE: 3" = 1'-0"



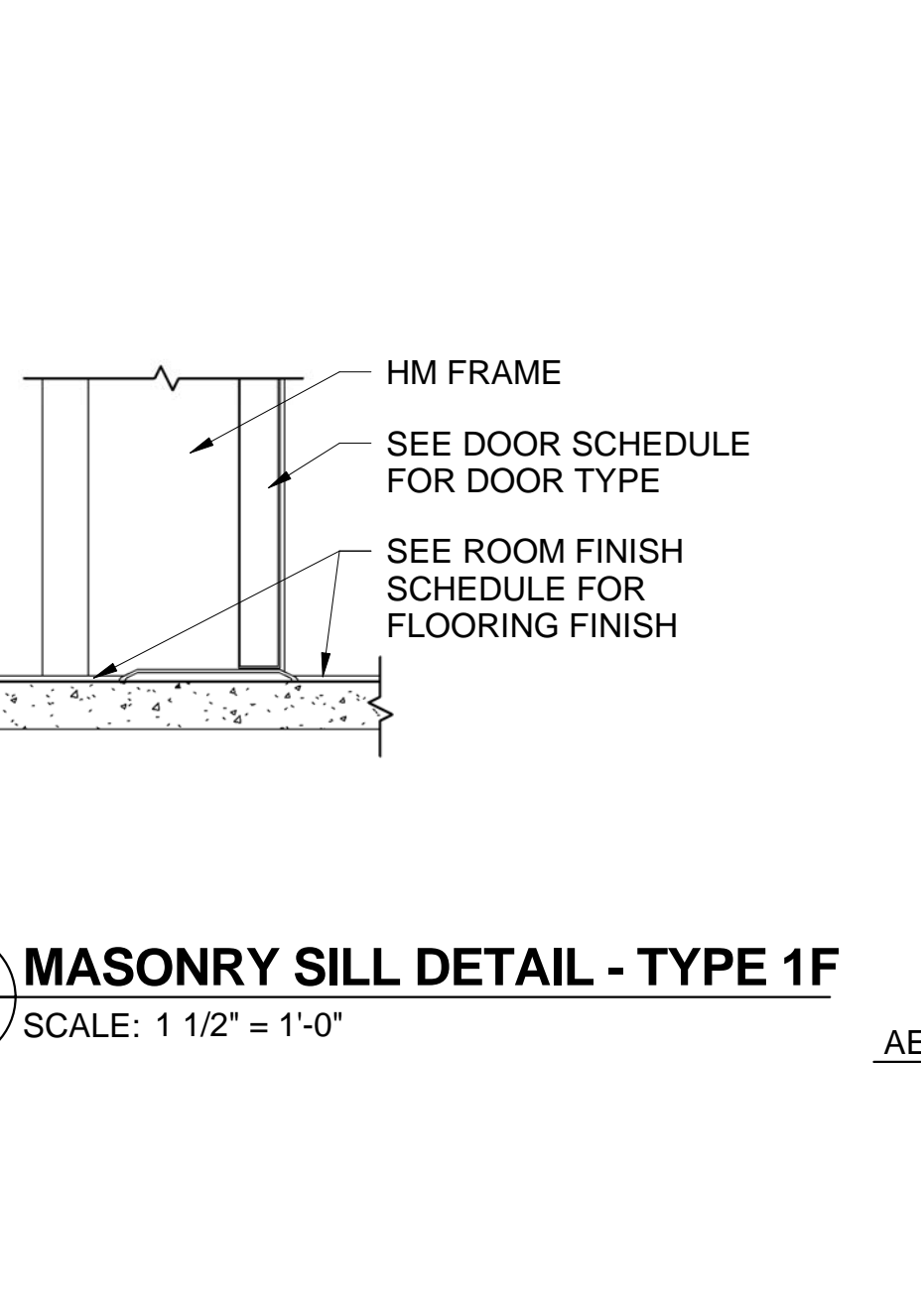
11 DOOR JAMB DETAIL - TYPE NB
AE601, AE602 AE603 SCALE: 3" = 1'-0"



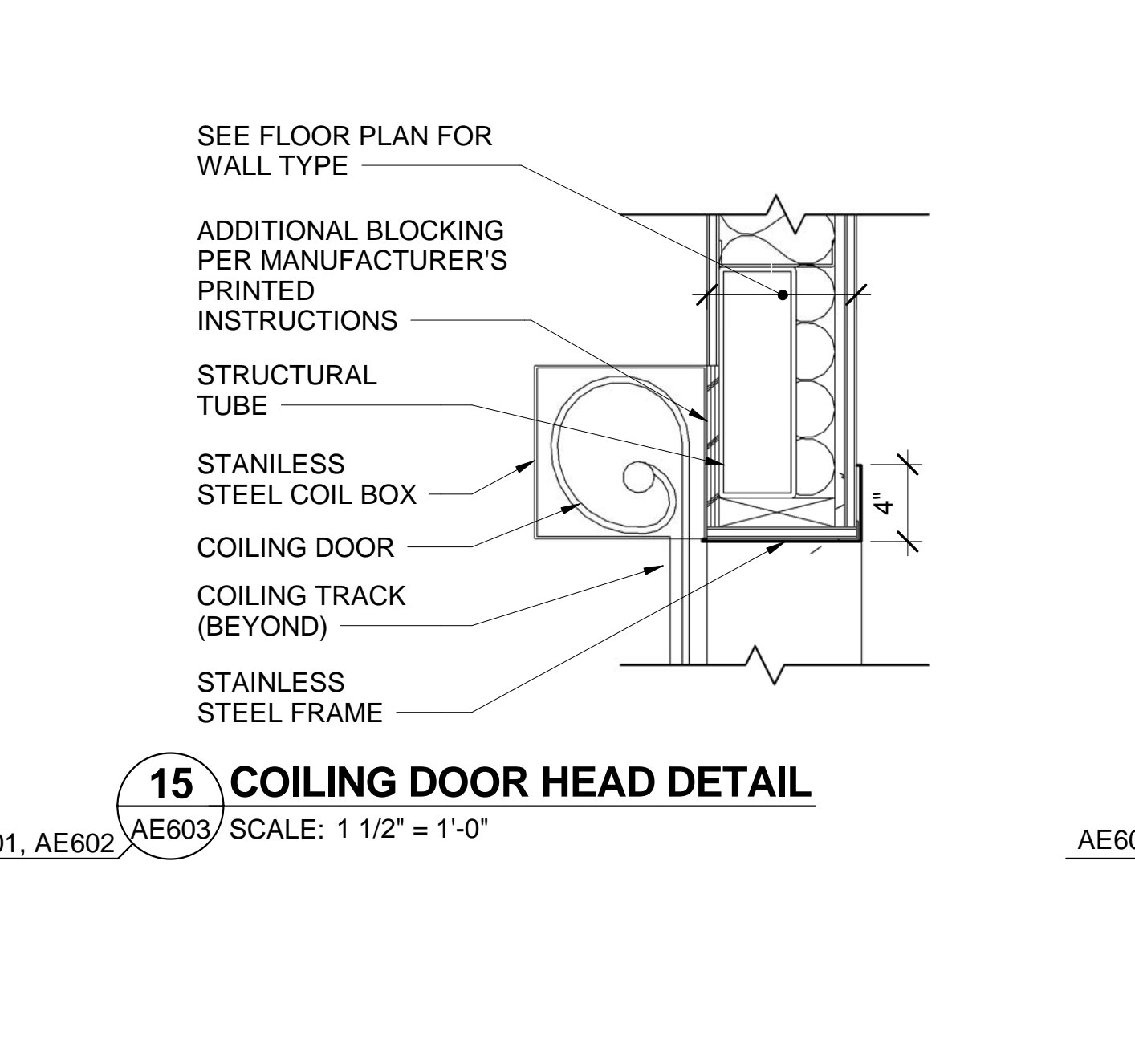
12 DOOR JAMB DETAIL - TYPE NC
AE601, AE602 AE603 SCALE: 3" = 1'-0"



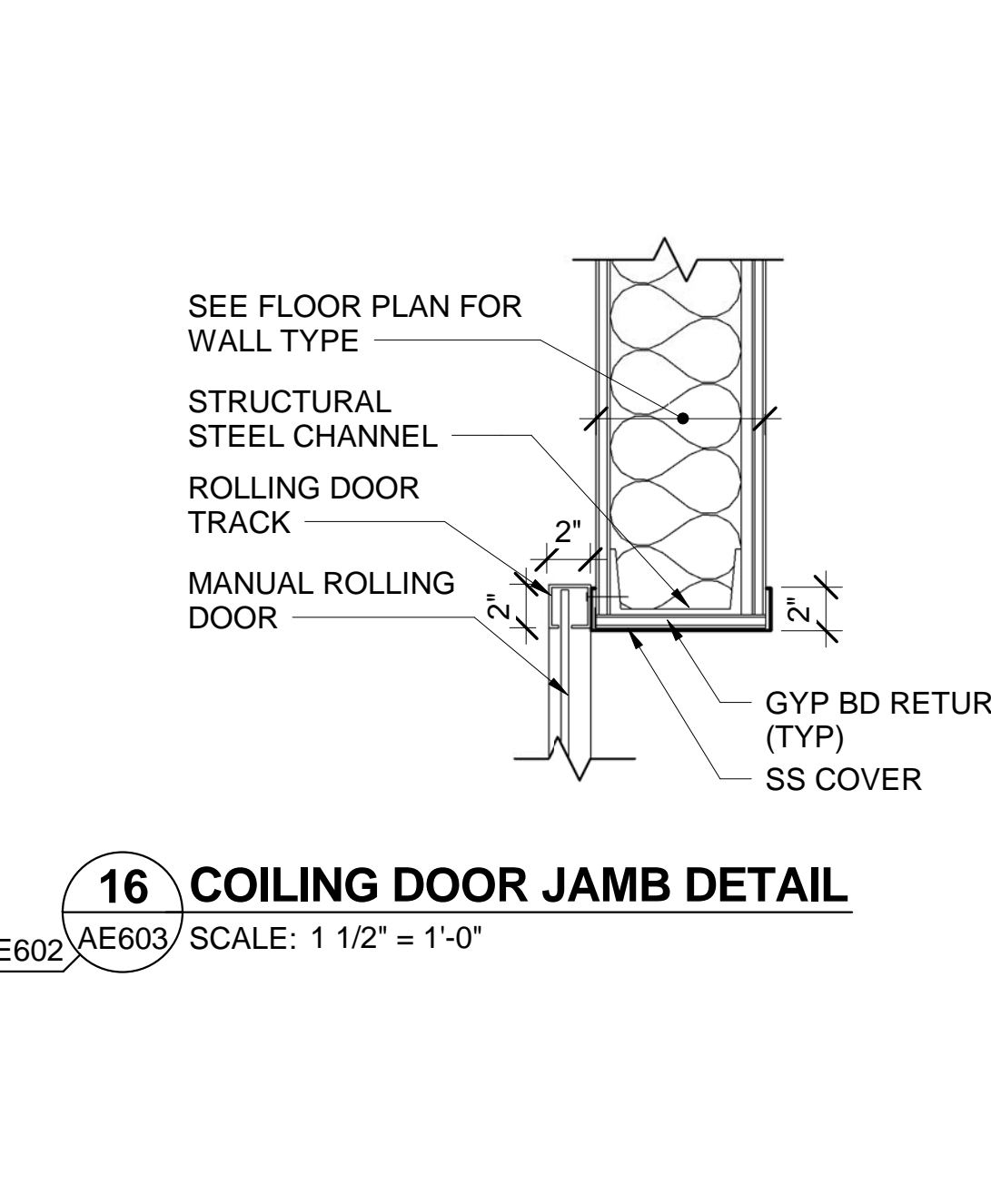
13 DOOR HEAD DETAIL - TYPE 3A
AE601, AE602 AE603 SCALE: 3" = 1'-0"



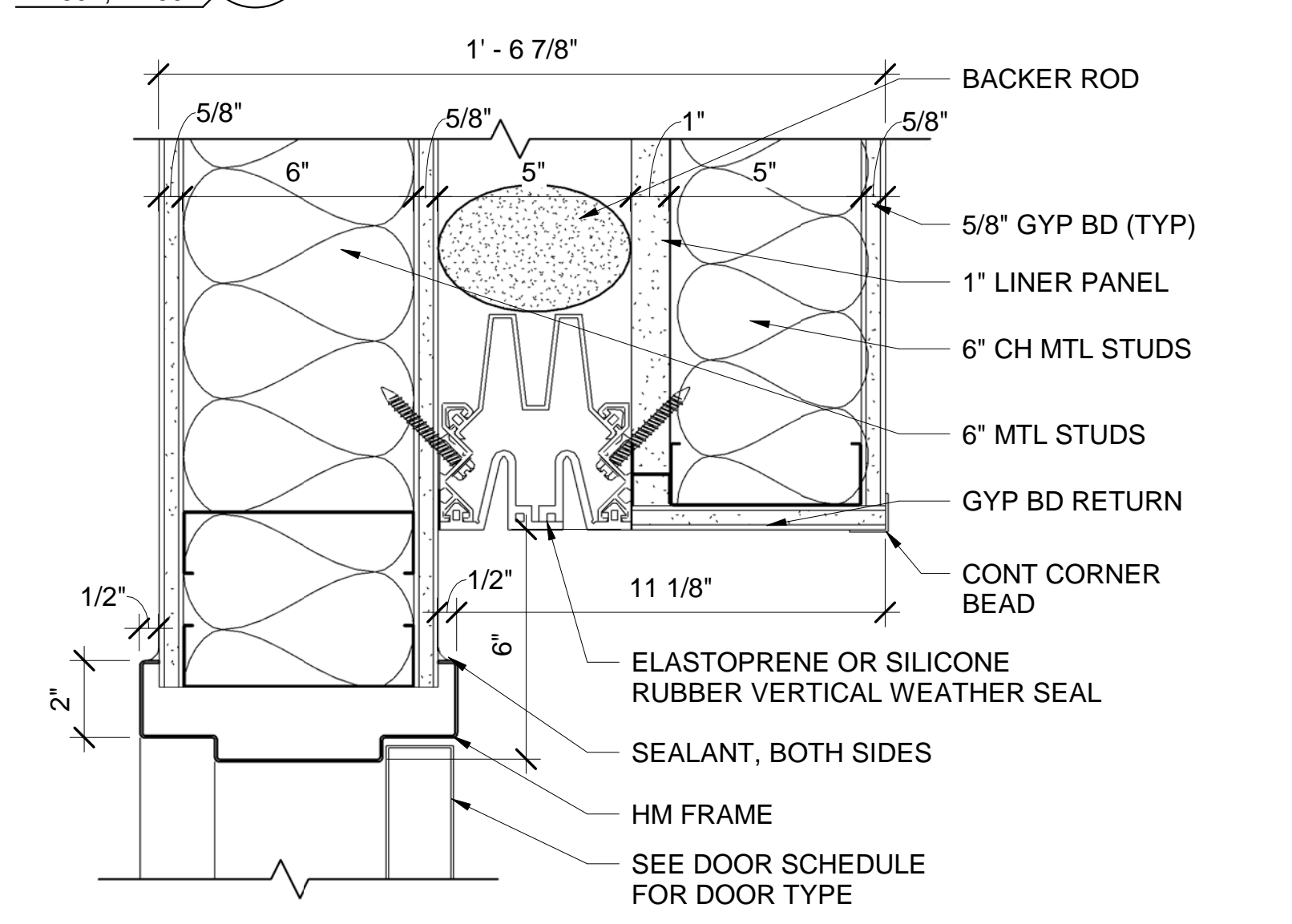
14 MASONRY SILL DETAIL - TYPE 1F
AE601, AE602 AE603 SCALE: 1 1/2" = 1'-0"



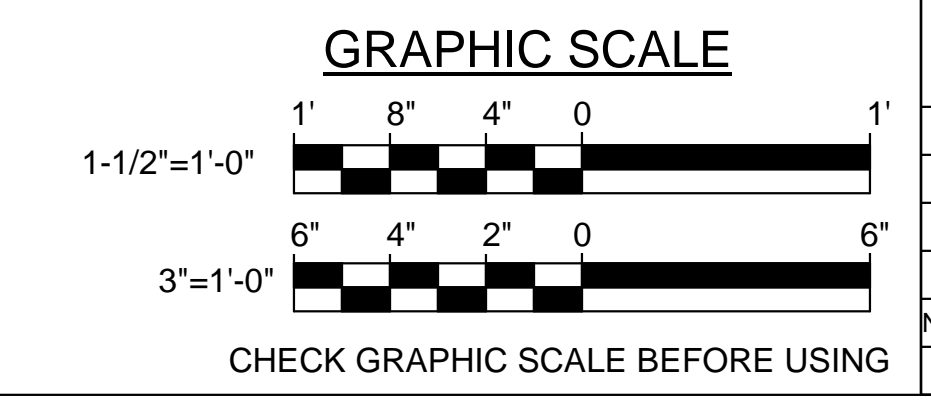
15 COILING DOOR HEAD DETAIL
AE601, AE602 AE603 SCALE: 1 1/2" = 1'-0"



16 COILING DOOR JAMB DETAIL
AE601, AE602 AE603 SCALE: 1 1/2" = 1'-0"



17 DOOR JAMB DETAIL - TYPE 3A
AE601, AE602 AE603 SCALE: 3" = 1'-0"



		STATE OF MAINE PUBLIC SCHOOL PROJECT TITLE: PORTLAND PUBLIC SCHOOLS NEW FRED P. HALL ELEMENTARY SCHOOL LOCATION: 23 ORONO ROAD, PORTLAND, ME TITLE THIS DWG: DOOR AND FRAME DETAILS	
		DRAWN BY: JGB CHECK BY: TGB	OAK POINT ASSOCIATES AE603 DRAWING NO. 207.283.0192 SHEET NO. 183 OF 312
NO. DATE	DESCRIPTION	BY	NO. DATE
	REVISIONS		03/17/17