

DOOR SCHEDULE-WING D															
NO.	DOOR						FRAME				DETAILS			FIRE RATING	NOTES
	WIDTH	HEIGHT	THICKNESS	TYPE	MAT	FINISH	HARDWARE	TYPE	MAT	FINISH	HEAD	JAMB	SILL		
D01	3'-0"	7'-0"	1 3/4"	B	WD	NAT	2	4	HM	PNT	5/AE603	11/AE603			
D01A	3'-0"	7'-0"	1 3/4"	B	WD	NAT	3	4	HM	PNT	5/AE603	11/AE603			
D02	3'-0"	7'-0"	1 3/4"	B	WD	NAT	3	4	HM	PNT	5/AE603	11/AE603			
D03	3'-0"	7'-0"	1 3/4"	B	WD	NAT	2	4	HM	PNT	5/AE603	11/AE603			
D04	3'-0"	7'-0"	1 3/4"	B	WD	NAT	2	4	HM	PNT	5/AE603	11/AE603			
D05	3'-0"	7'-0"	1 1/2"	B	WD	NAT	3	6	HM	PNT	5/AE603	11/AE603			
D06	3'-0"	7'-0"	1 3/4"	B	WD	NAT	3	6	HM	PNT	5/AE603	11/AE603			
D06A	3'-0"	7'-0"	1 3/4"	B	WD	NAT	3	6	HM	PNT	5/AE603	11/AE603			
D07	3'-0"	7'-0"	1 3/4"	B	WD	NAT	2	4	HM	PNT	5/AE603	11/AE603			
D08	3'-0"	7'-0"	1 3/4"	B	WD	NAT	1	4	HM	PNT	5/AE603	11/AE603			
D09	3'-0"	7'-0"	1 3/4"	A	WD	NAT	5	4	HM	PNT	5/AE603	11/AE603			
D10	3'-0"	7'-0"	1 3/4"	A	WD	NAT	5	4	HM	PNT	5/AE603	11/AE603			
D11	6'-0"	7'-0"	1 3/4"	D	ALUM	HPC	11	3	ALUM	HPC	6/AE603	12/AE603		60 MIN	
D13	6'-0"	7'-0"	1 3/4"	A	WD	NAT	16	3	HM	PNT	6/AE603	12/AE603			
D13A	6'-0"	7'-0"	1 3/4"	A	HM	PNT	EH-6	2	HM	PNT	2/AE621	9/AE603	8/AE503		
D14	3'-0"	7'-0"	1 3/4"	B	WD	NAT	2	4	HM	PNT	4/AE603	10/AE603			
D15	3'-0"	7'-0"	1 1/2"	B	WD	NAT	3	6	HM	PNT	5/AE603	11/AE603		D	
D16	3'-0"	7'-0"	1 1/2"	B	WD	NAT	3	6	HM	PNT	4/AE603	10/AE603		D	
D17	3'-0"	7'-0"	1 3/4"	B	WD	NAT	2	4	HM	PNT	4/AE603	10/AE603			
D18	3'-0"	7'-0"	1 3/4"	B	WD	NAT	2	4	HM	PNT	5/AE603	11/AE603			
D18A	3'-0"	7'-0"	1 1/2"	B	WD	NAT	3	6	HM	PNT	4/AE603	10/AE603		D	
D19	3'-0"	7'-0"	1 3/4"	A	WD	NAT	6	4	HM	PNT	6/AE603	12/AE603			
D19A	3'-0"	7'-0"	1 3/4"	A	WD	NAT	5	4	HM	PNT	5/AE603	11/AE603			
D20	3'-0"	7'-0"	1 3/4"	A	WD	NAT	6	4	HM	PNT	6/AE603	12/AE603			
D20A	3'-0"	7'-0"	1 3/4"	A	WD	NAT	5	4	HM	PNT	5/AE603	11/AE603			
D21	3'-0"	7'-0"	1 3/4"	B	WD	NAT	7	4	HM	PNT	5/AE603	11/AE603			
D22	3'-0"	7'-0"	1 3/4"	B	WD	NAT	2	4	HM	PNT	5/AE603	11/AE603			
D23	3'-0"	7'-0"	1 1/2"	B	WD	NAT	3	6	HM	PNT	4/AE603	10/AE603		D	
D23A	3'-0"	7'-0"	1 1/2"	B	WD	NAT	3	6	HM	PNT	4/AE603	10/AE603		D	
D24	3'-0"	7'-0"	1 3/4"	B	WD	NAT	2	4	HM	PNT	5/AE603	11/AE603			
D25	3'-0"	7'-0"	1 3/4"	B	WD	NAT	2	4	HM	PNT	5/AE603	11/AE603			
D25A	3'-0"	7'-0"	1 3/4"	B	WD	NAT	3	4	HM	PNT	5/AE603	11/AE603			
D26	3'-0"	7'-0"	1 1/2"	B	WD	NAT	3	6	HM	PNT	4/AE603	10/AE603		D	
D26A	3'-0"	7'-0"	1 1/2"	B	WD	NAT	3	6	HM	PNT	4/AE603	10/AE603		D	
D27	3'-0"	7'-0"	1 3/4"	B	WD	NAT	2	4	HM	PNT	5/AE603	11/AE603			
D29	3'-0"	7'-0"	1 3/4"	B	WD	NAT	2	4	HM	PNT	5/AE603	11/AE603			
D30	3'-0"	7'-0"	1 3/4"	B	WD	NAT	2	4	HM	PNT	5/AE603	11/AE603			
D31	3'-0"	7'-0"	1 3/4"	B	WD	NAT	3	4	HM	PNT	4/AE603	10/AE603		D	
D31A	3'-0"	7'-0"	1 3/4"	B	WD	NAT	3	4	HM	PNT	4/AE603	10/AE603		D	
D32	3'-0"	7'-0"	1 1/2"	B	WD	NAT	1	6	HM	PNT	5/AE603	11/AE603			
D33	3'-0"	7'-0"	1 3/4"	B	WD	NAT	2	4	HM	PNT	5/AE603	11/AE603			
D34	3'-0"	7'-0"	1 3/4"	A	WD	NAT	7	4	HM	PNT	5/AE603	11/AE603			
D35	3'-0"	7'-0"	1 3/4"	A	WD	NAT	5	4	HM	PNT	5/AE603	11/AE603			
D36	3'-0"	7'-0"	1 3/4"	A	WD	NAT	5	4	HM	PNT	5/AE603	11/AE603			
D37	3'-0"	7'-0"	1 3/4"	A	WD	NAT	7	4	HM	PNT	5/AE603	11/AE603			
D38	3'-0"	7'-0"	1 3/4"	A	WD	NAT	7	4	HM	PNT	5/AE603	11/AE603			
D39	3'-0"	7'-0"	1 3/4"	B	WD	NAT	2	4	HM	PNT	5/AE603	11/AE603			
D40	3'-0"	7'-0"	1 3/4"	N	WD	NAT	7	4	HM	PNT	5/AE603	11/AE603		45 MIN	
D41	3'-0"	7'-0"	1 3/4"	N	WD	NAT	7	1	HM	PNT	2/AE603	8/AE603	14/AE603	45 MIN	

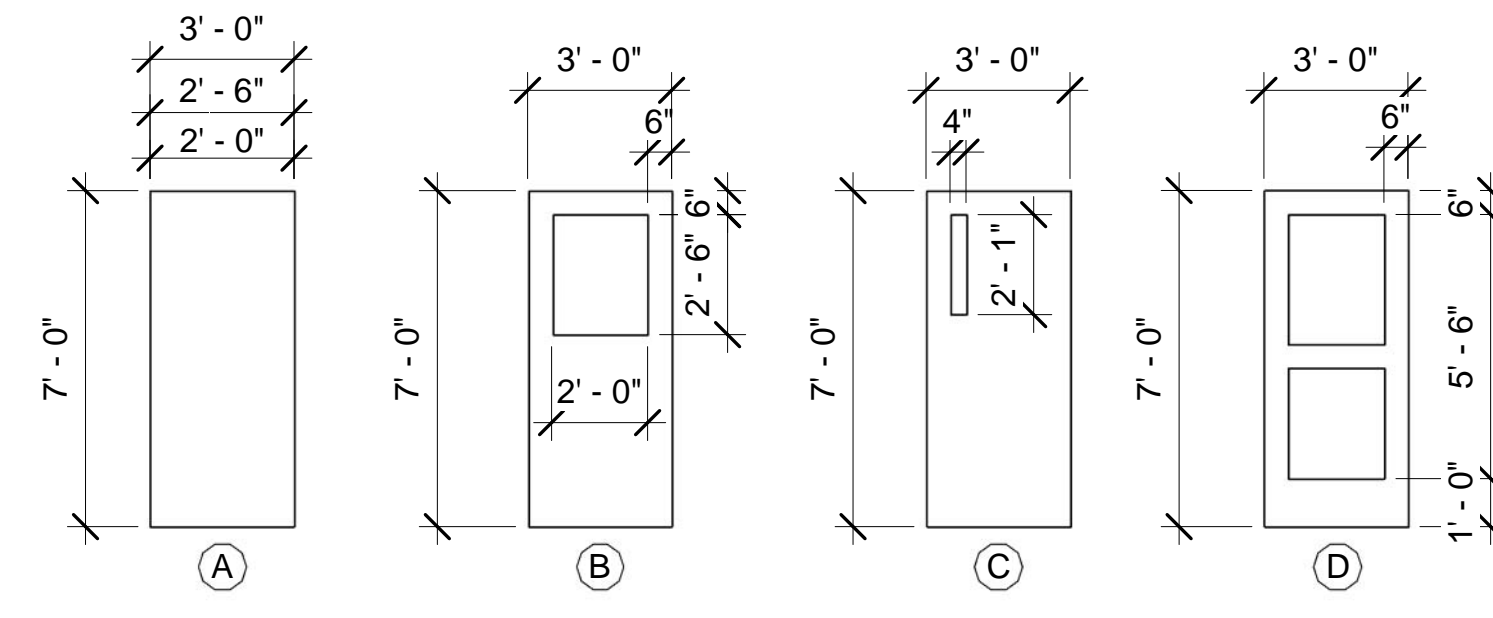
DOOR SCHEDULE-STAIRS															
NO.	DOOR						FRAME				DETAILS			FIRE RATING	NOTES
	WIDTH	HEIGHT	THICKNESS	TYPE	MAT	FINISH	HARDWARE	TYPE	MAT	FINISH	HEAD	JAMB	SILL		
S02A	6'-0"	7'-0"	1 3/4"	D	WD	NAT	17	2	HM	PNT	5/AE603	11/AE603		60 MIN	
S03A	6'-0"	7'-0"	1 3/4"	R	WD	NAT	17	2	HM	PNT	5/AE603	11/AE603		60 MIN	

**DOOR SCHEDULE NOTES:**

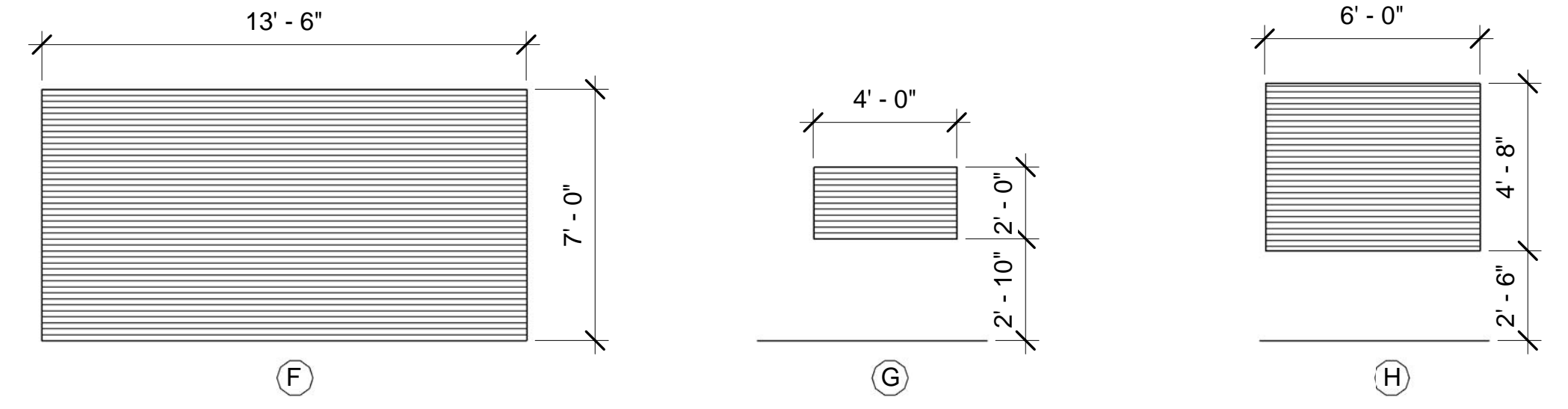
- SEE SHEET AE621 FOR ALUMINUM CURTAINWALL FRAME TYPES AND RETAILS REFERENCE.
- UNDERCUT DOOR 3/4".

**GENERAL NOTES:**

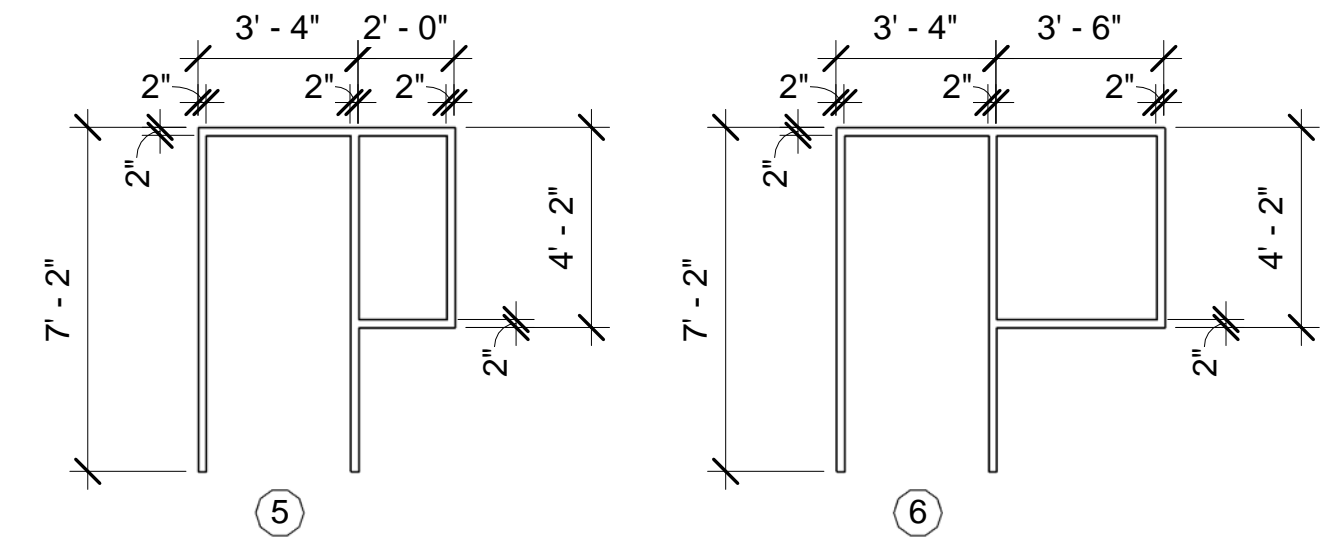
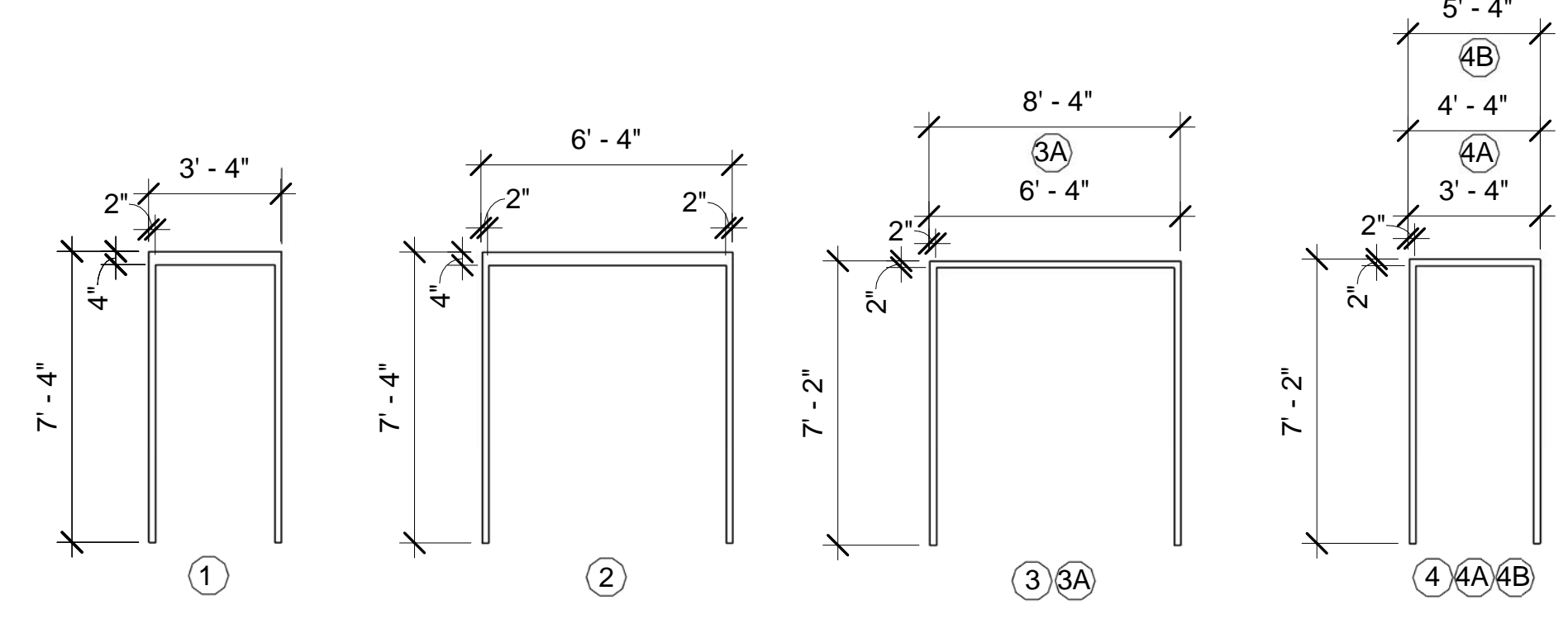
- ALL ALUMINUM DOORS FINISHED WITH HPC (HIGH PERFORMANCE COATING AS SPECIFIED).



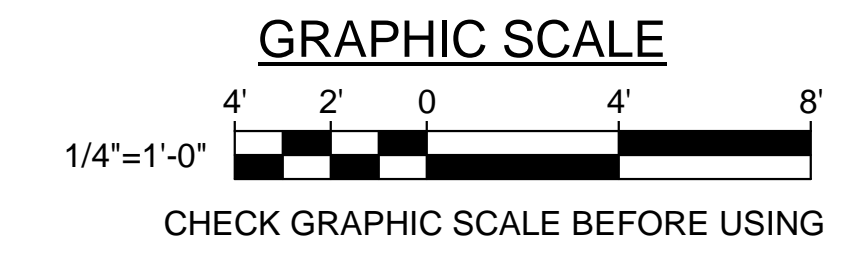
NOTE: WS-3 AS INDICATED ON AE601



**DOOR TYPES**  
SCALE: 1/4"=1'-0"



**DOOR FRAMES**  
SCALE: 1/4"=1'-0"



	DRAWN BY: JGB CHECK BY: TGB	<b>STATE OF MAINE</b> <b>PUBLIC SCHOOL PROJECT</b> TITLE: PORTLAND PUBLIC SCHOOLS NEW FRED P. HALL ELEMENTARY SCHOOL LOCATION: 23 ORONO ROAD, PORTLAND, ME TITLE THIS DWG: <b>DOOR SCHEDULE AND DOOR FRAME TYPES</b>	
	DATE: _____ DESCRIPTION: _____ BY: _____ REVISIONS: _____		DRAWING NO. <b>AE602</b> SHEET NO.
	DATE: 03/17/17		211 Main Street, Biddeford, Maine 04005 207.283.9192
	182 OF 312		

3/16/2017 5:54:59 PM  
 C:\Users\akochegisser\Documents\21602.08\_HALL\_SCHOOL\_ARCHITECTURAL\_V17.skochegisser.rvt