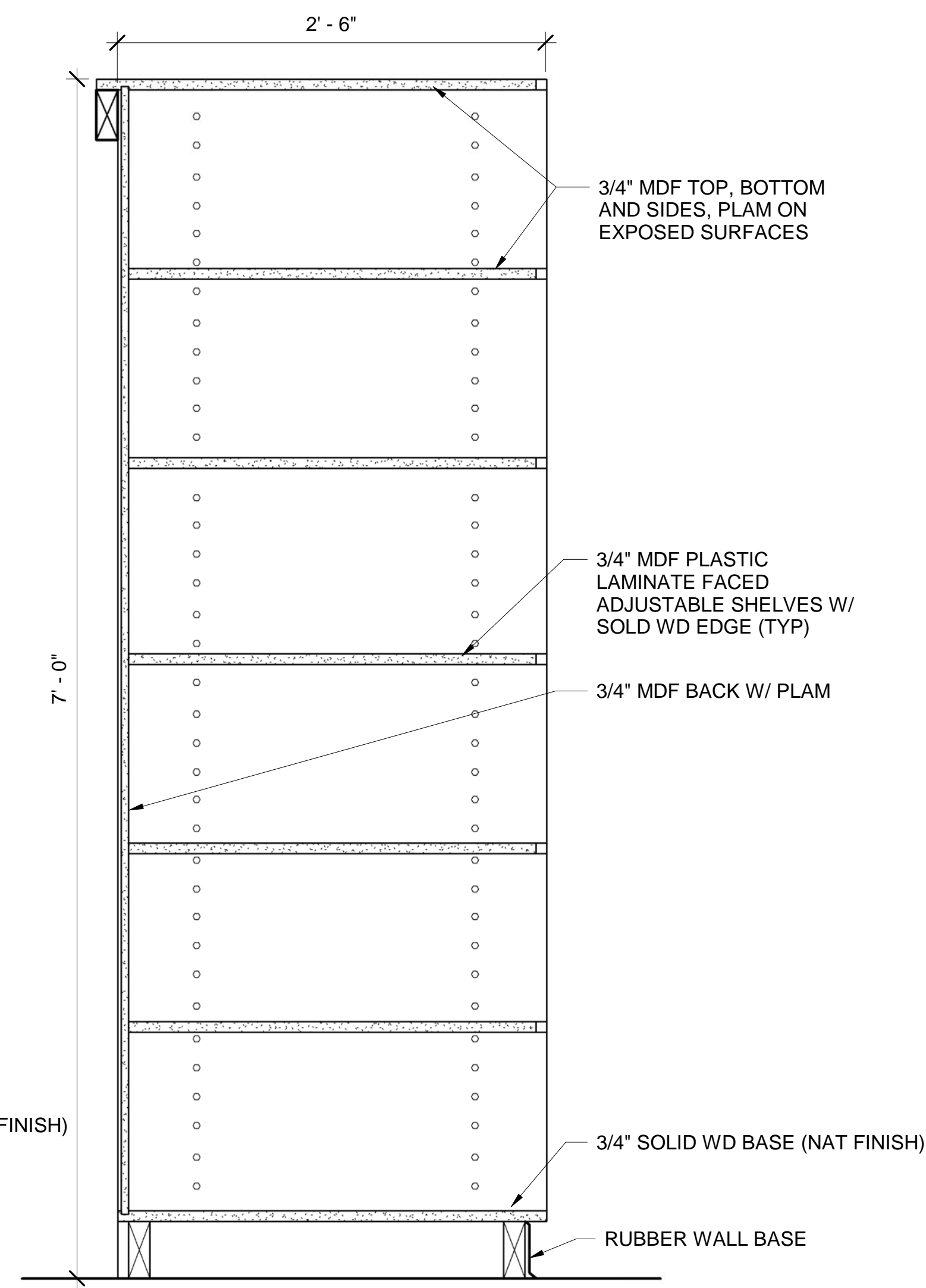
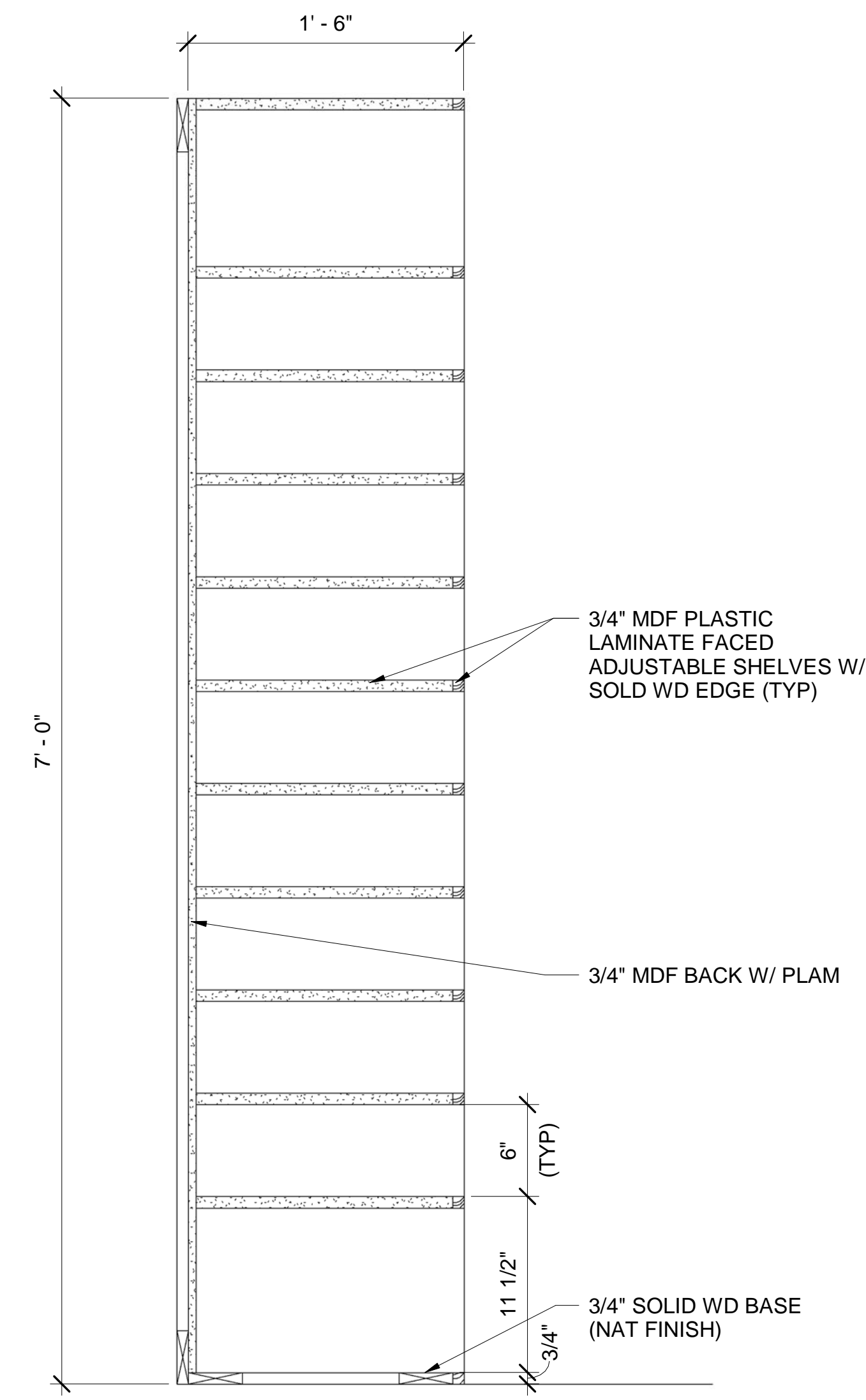


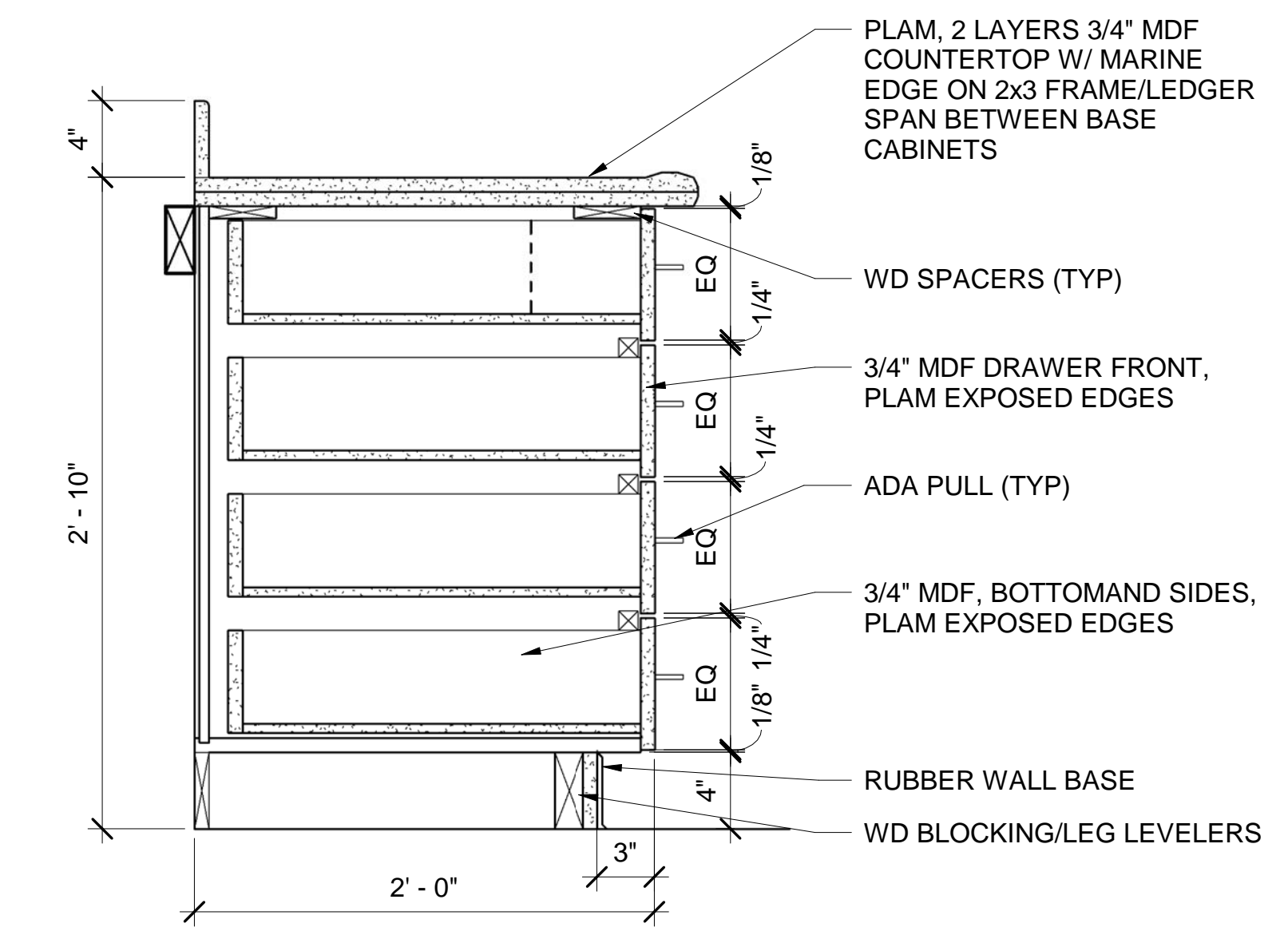
1 CASEWORK BOOKSHELVES ELEVATION
AE581 SCALE: 1 1/2" = 1'-0"



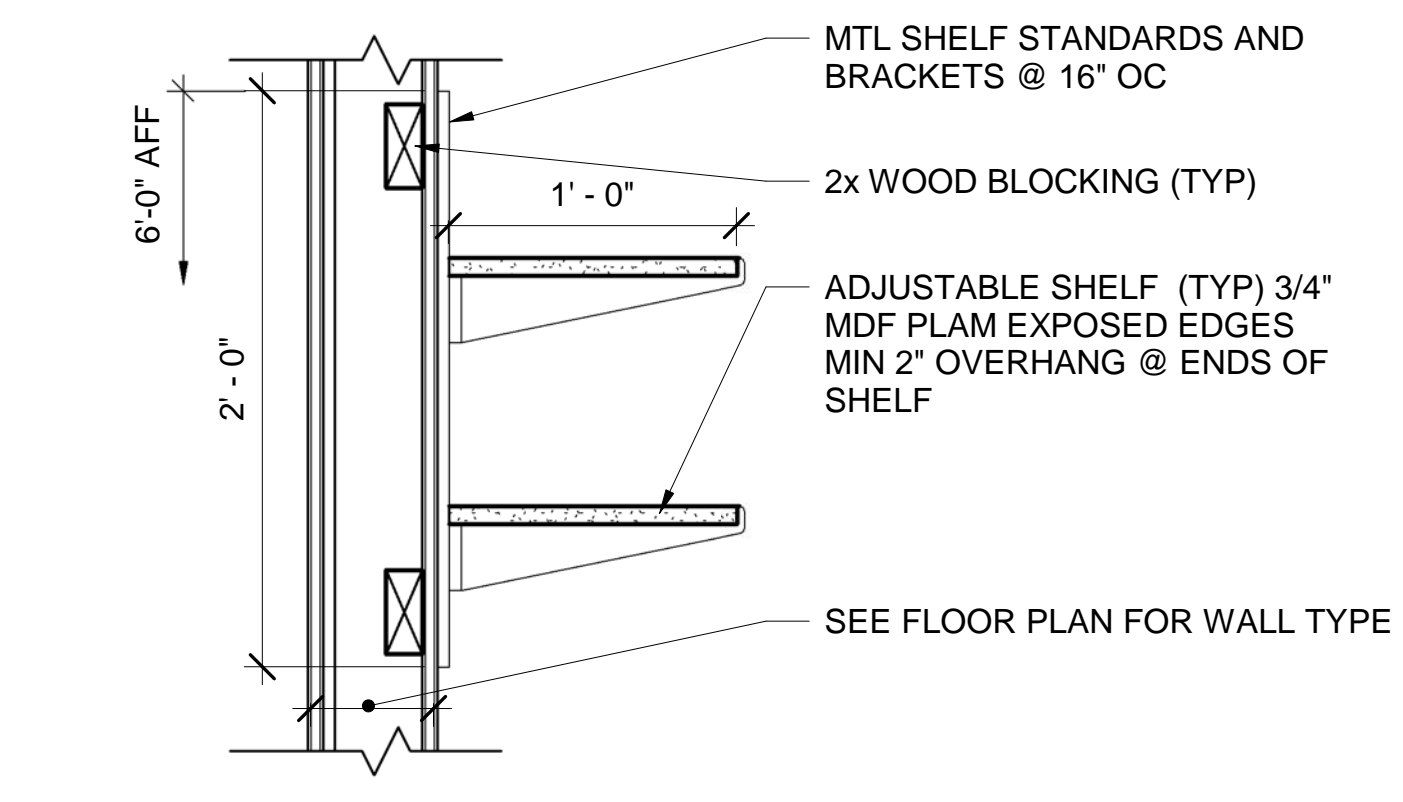
2 CASEWORK BOOKSHELVES SECTION
AE581 SCALE: 1 1/2" = 1'-0"



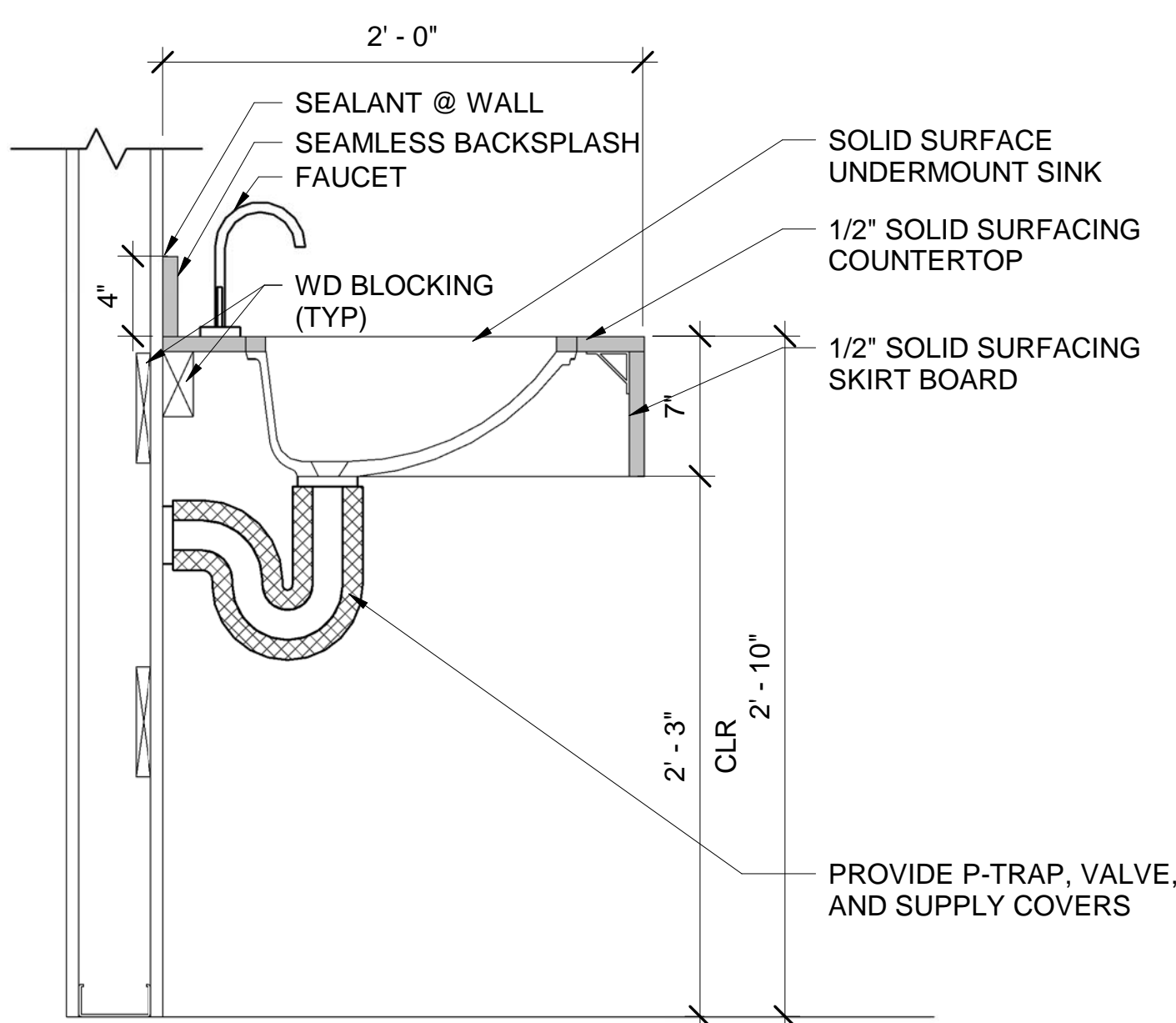
3 MAILBOXES
AE747 AE581 SCALE: 1 1/2" = 1'-0"



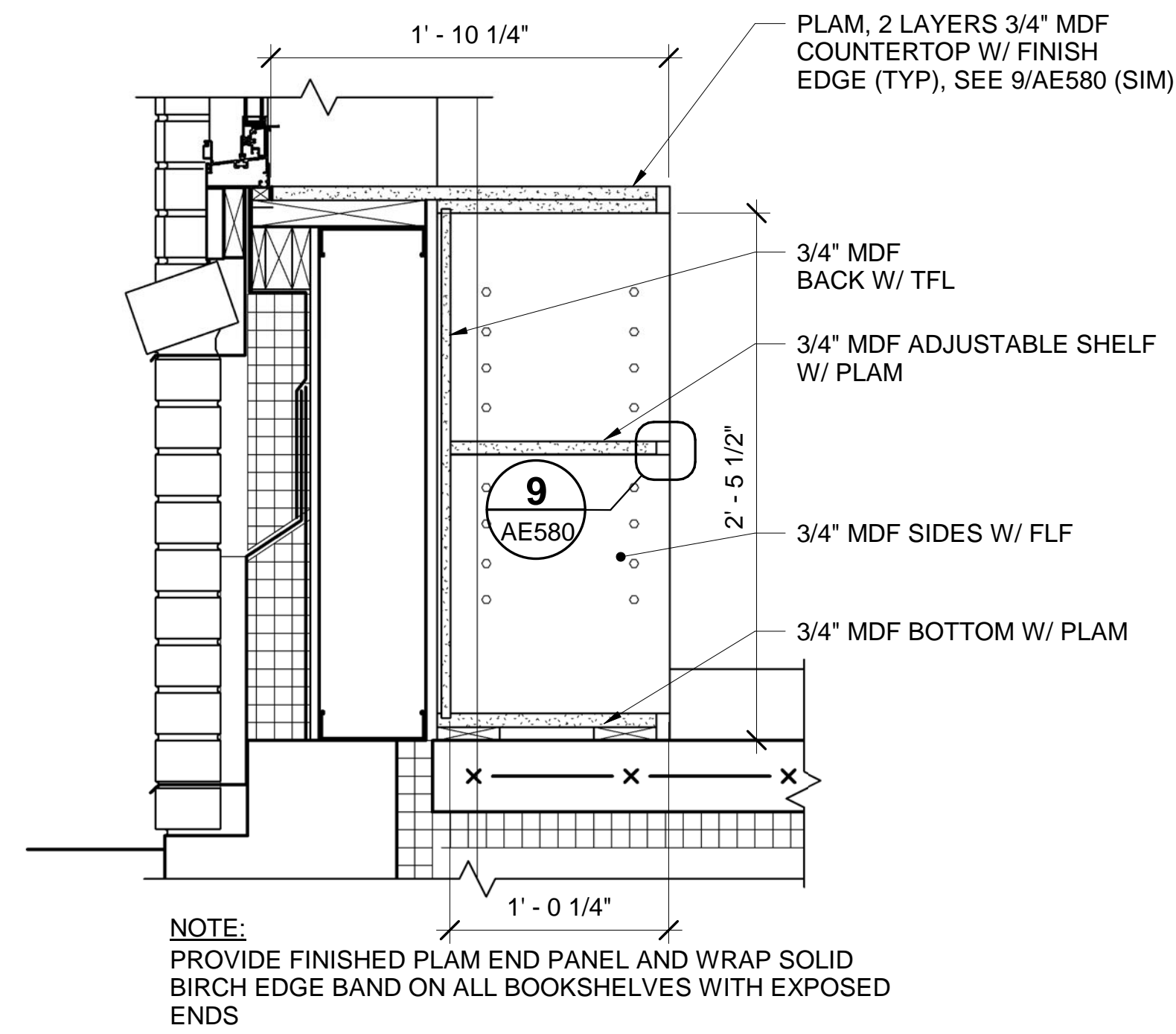
4 CASEWORK TYP DRAWER BASE SECTION
AE740 AE581 SCALE: 1 1/2" = 1'-0"



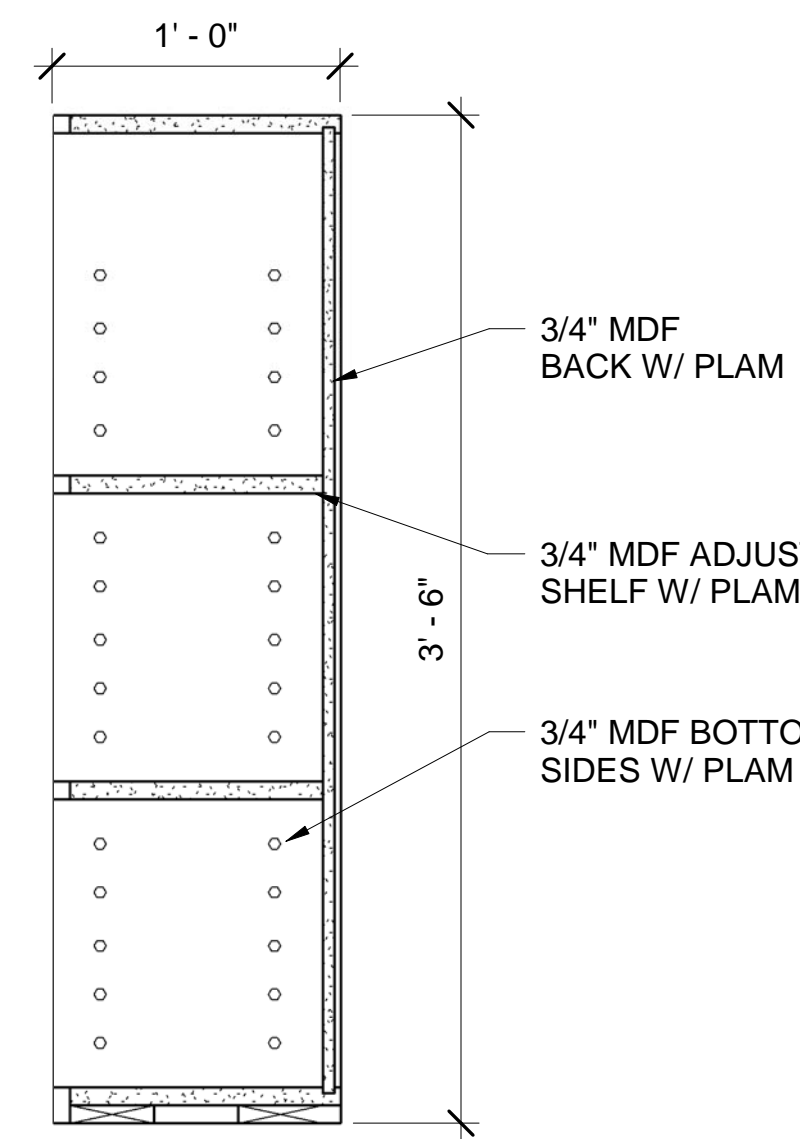
5 CASEWORK OPEN SHELF UNIT
AE581 SCALE: 1 1/2" = 1'-0"



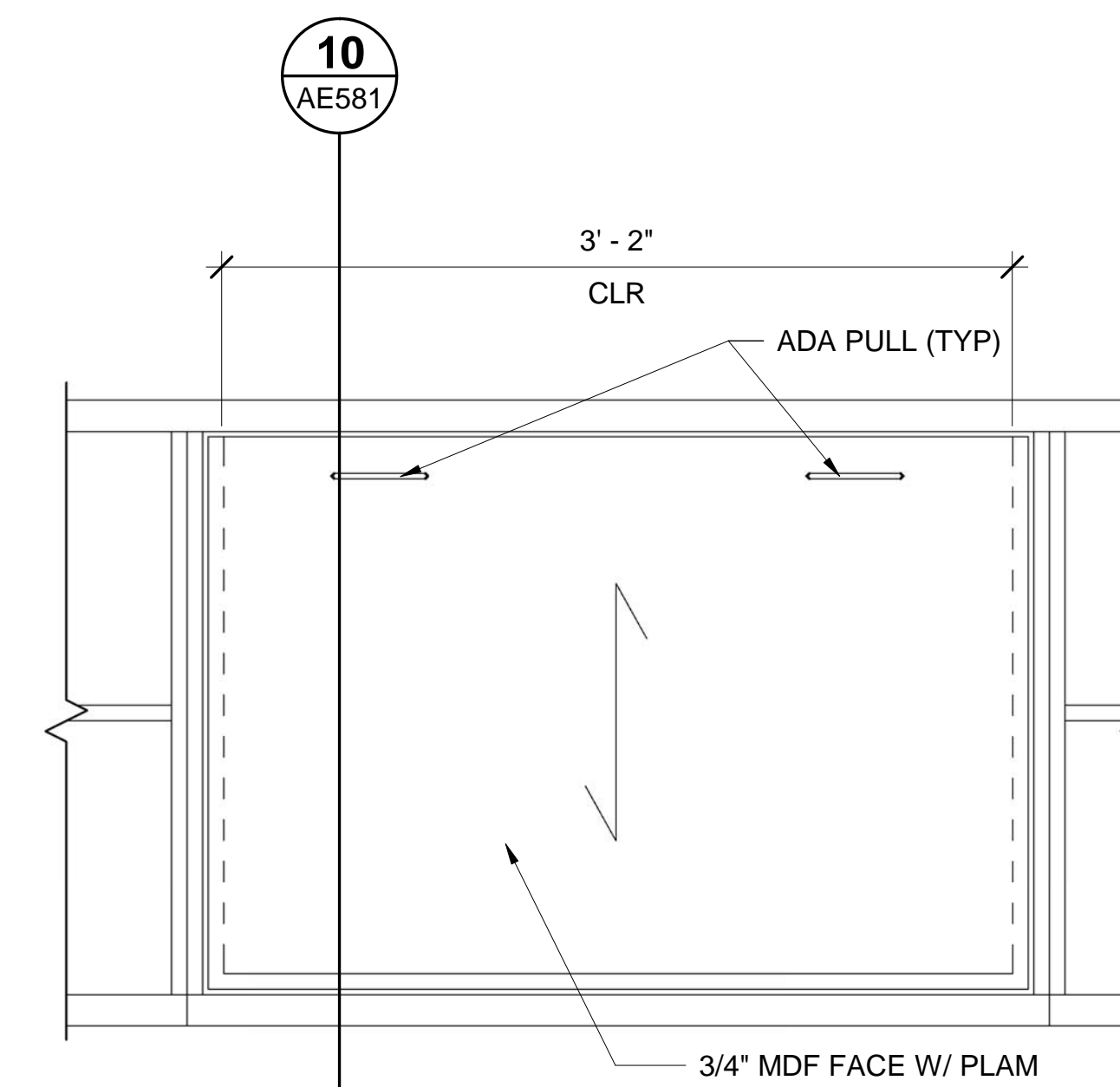
6 CASEWORK TOILET ROOM COUNTERTOP SECTION
AE581 SCALE: 1 1/2" = 1'-0"



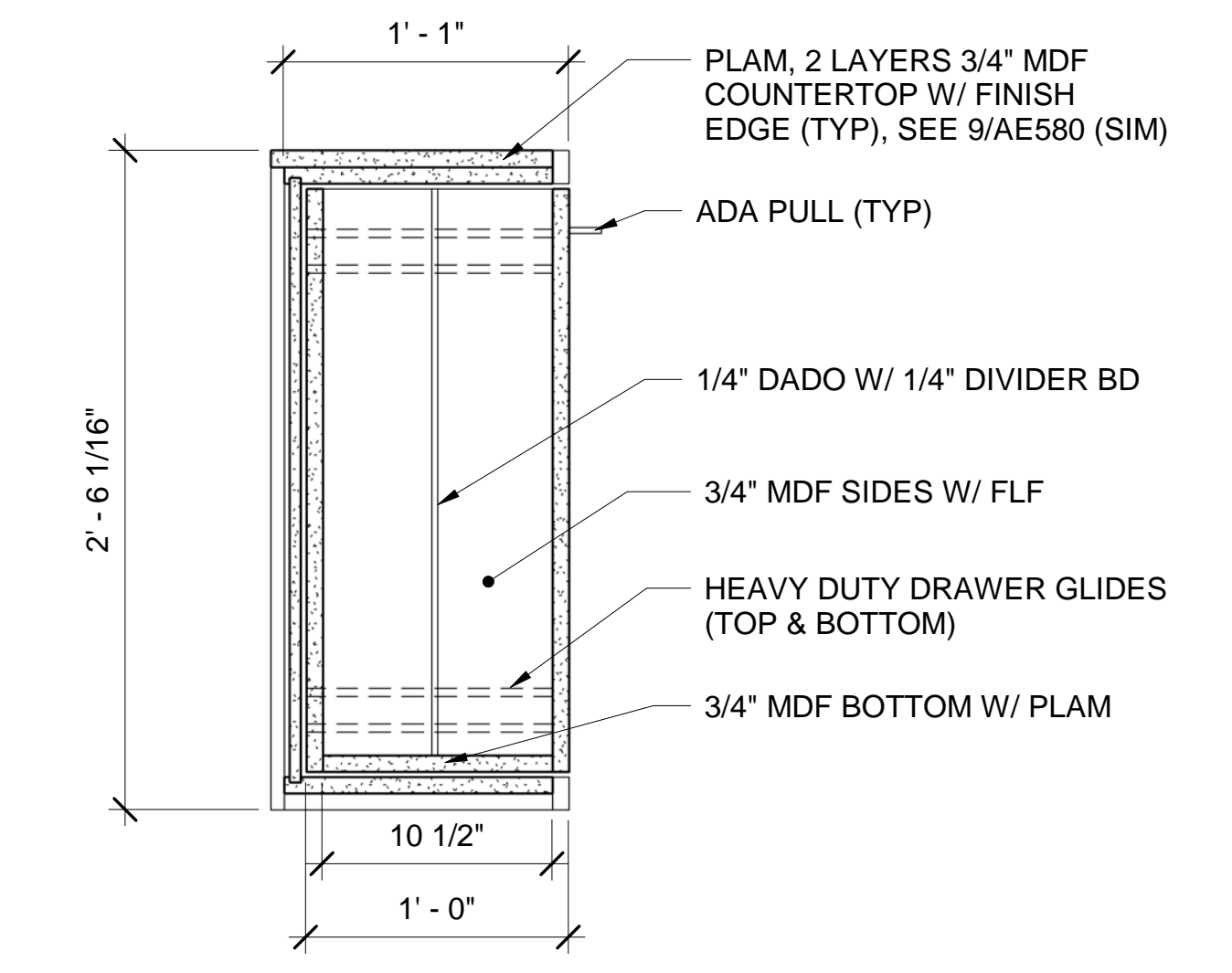
7 CASEWORK CLASSROOM BUILT-IN SHELVES
AE405 AE581 SCALE: 1 1/2" = 1'-0"



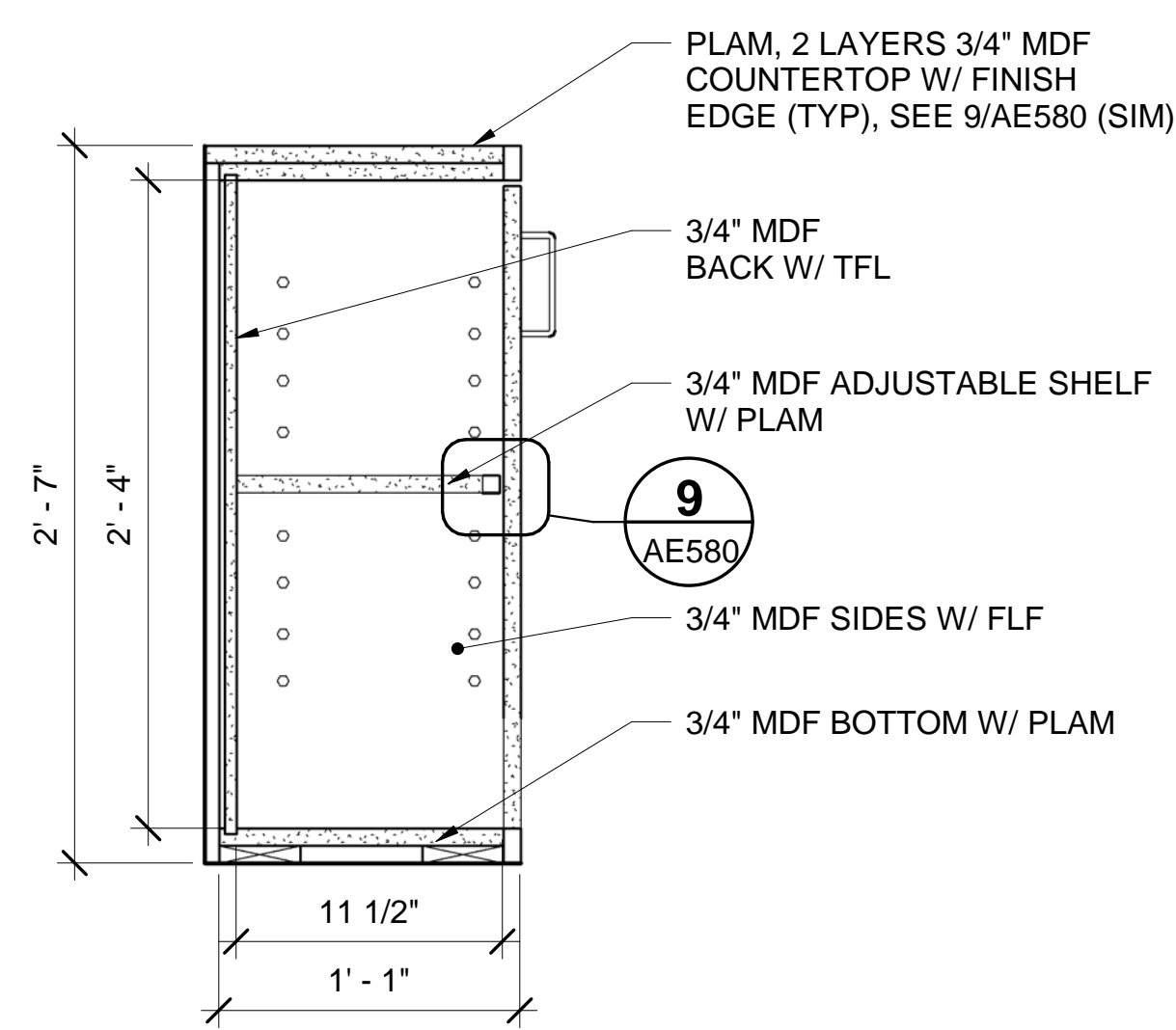
8 CASEWORK BUILT-IN BOOKCASE SECTION
AE581 SCALE: 1 1/2" = 1'-0"



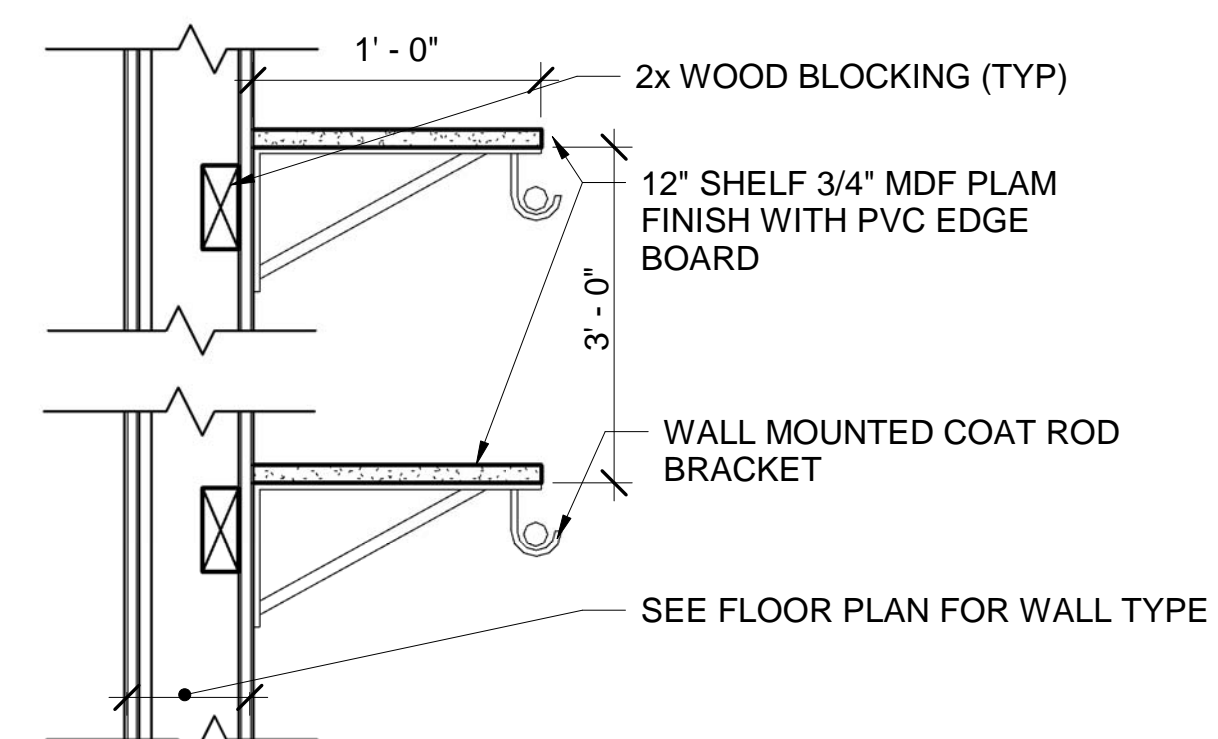
9 CASEWORK BUILT-IN POSTER CABINET
AE581 SCALE: 1 1/2" = 1'-0"



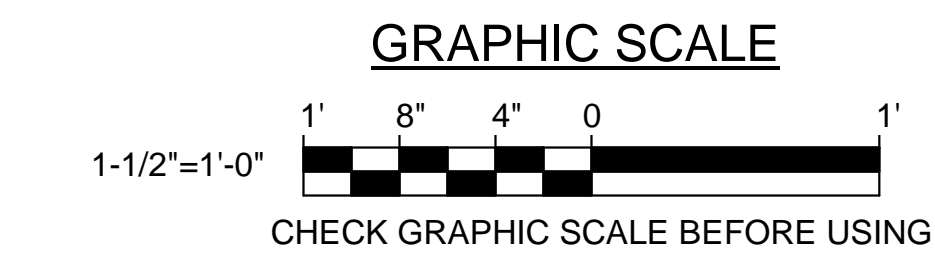
10 CASEWORK BUILT-IN POSTER CABINET SECTION
AE581 AE581 SCALE: 1 1/2" = 1'-0"



11 CASEWORK BUILT-IN SHELVES W/ DOORS
AE740 AE581 SCALE: 1 1/2" = 1'-0"



12 CASEWORK LOST AND FOUND DOUBLE COAT HOOK
AE101 AE581 SCALE: 1 1/2" = 1'-0"



		STATE OF MAINE PUBLIC SCHOOL PROJECT PORTLAND PUBLIC SCHOOLS NEW FRED P. HALL ELEMENTARY SCHOOL 23 ORONO ROAD, PORTLAND, ME TITLE THIS DWG: CASEWORK DETAILS 2
DRAWN BY: DEM CHECK BY: TGB	NO. DATE DESCRIPTION REVISIONS	DATE: 03/17/17
OAK POINT ASSOCIATES 231 Main Street, Biddeford, Maine 04005		DRAWING NO. AE581 SHEET NO. 180 OF 312