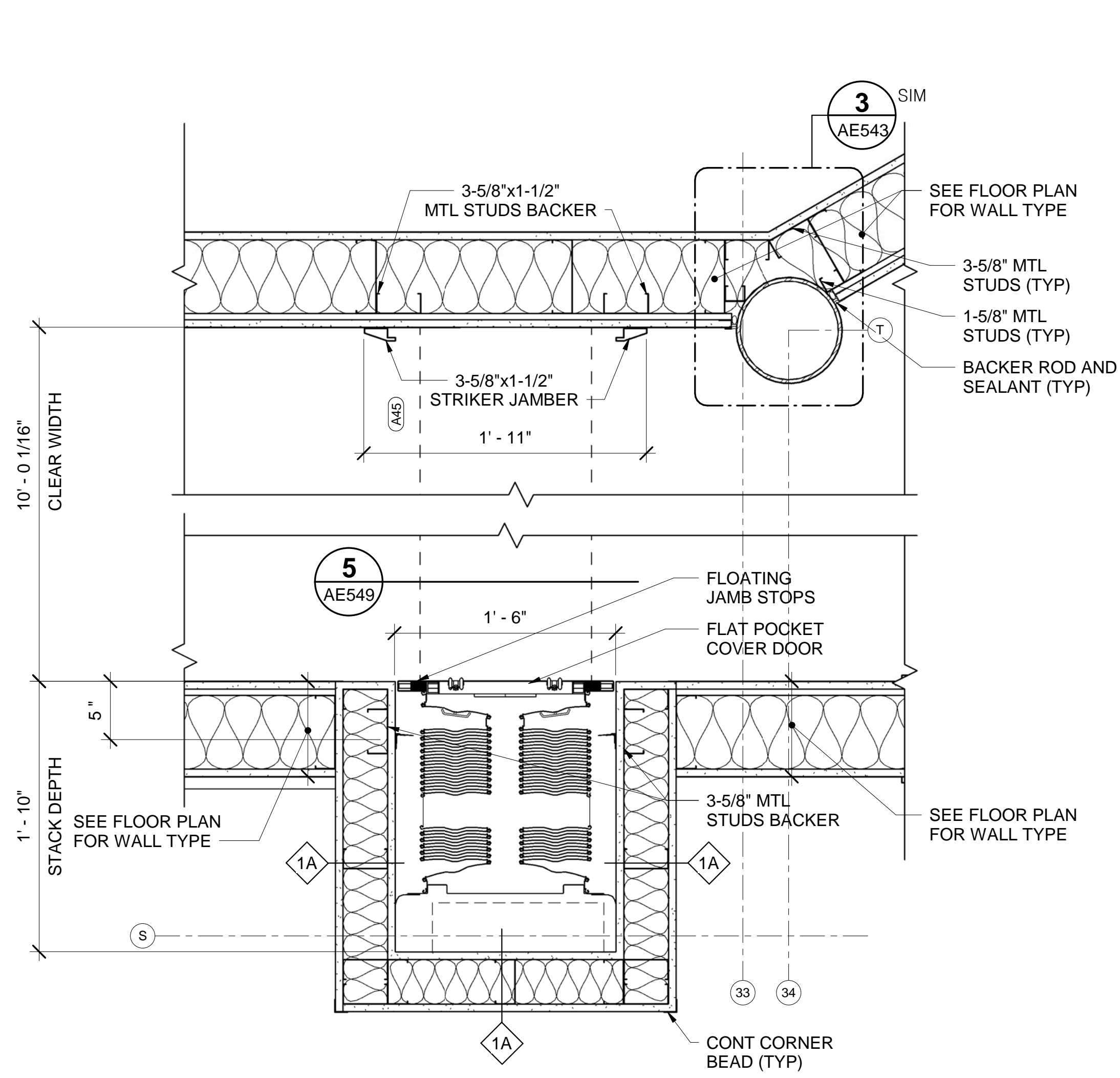


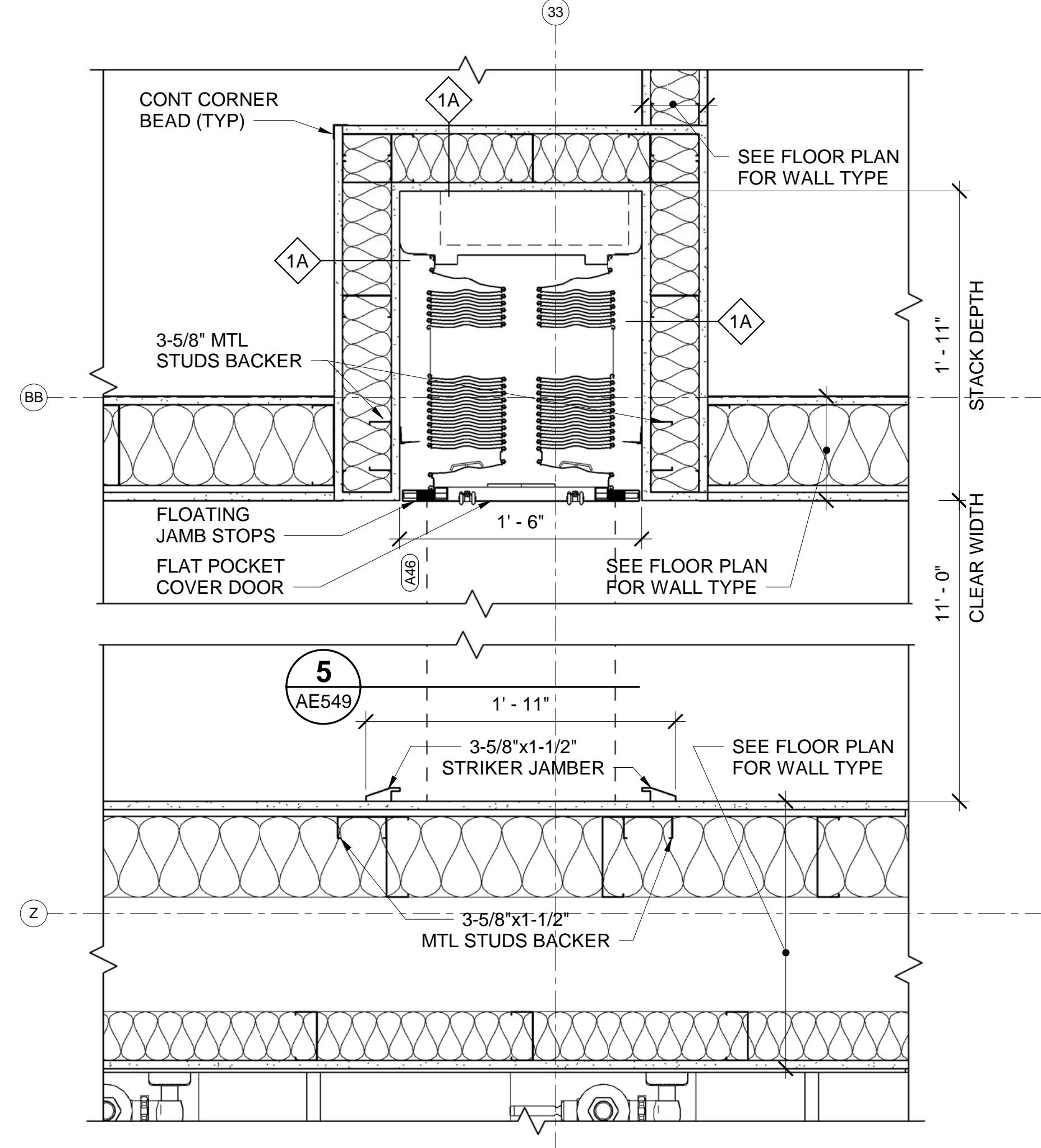
1 FIRE DOOR A44 POCKET AND STRICKER PLAN DETAIL

AE101 AE549 SCALE: 1 1/2" = 1'-0"



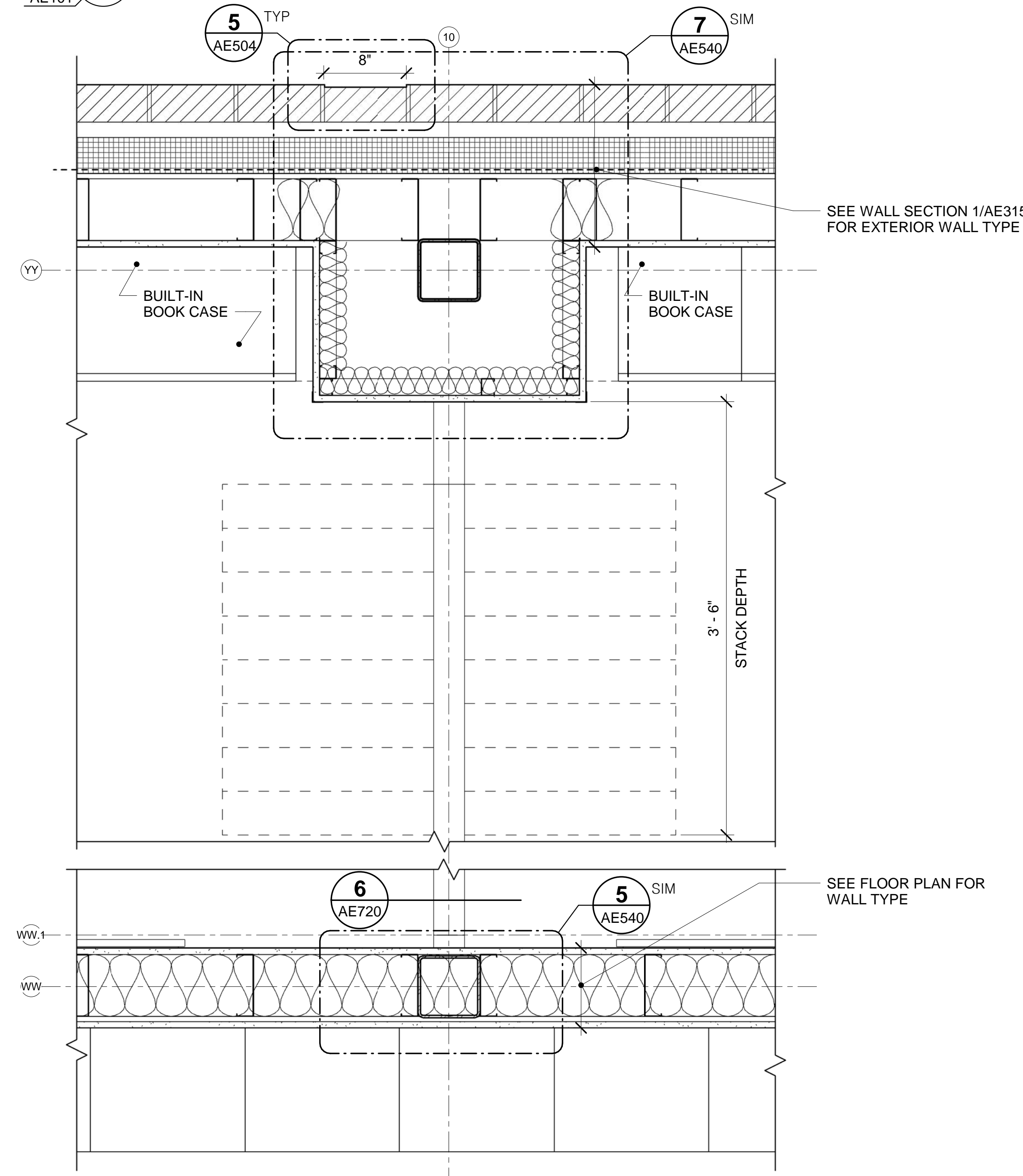
2 FIRE DOOR A45 POCKET AND STRICKER PLAN DETAIL

AE101 AE549 SCALE: 1 1/2" = 1'-0"



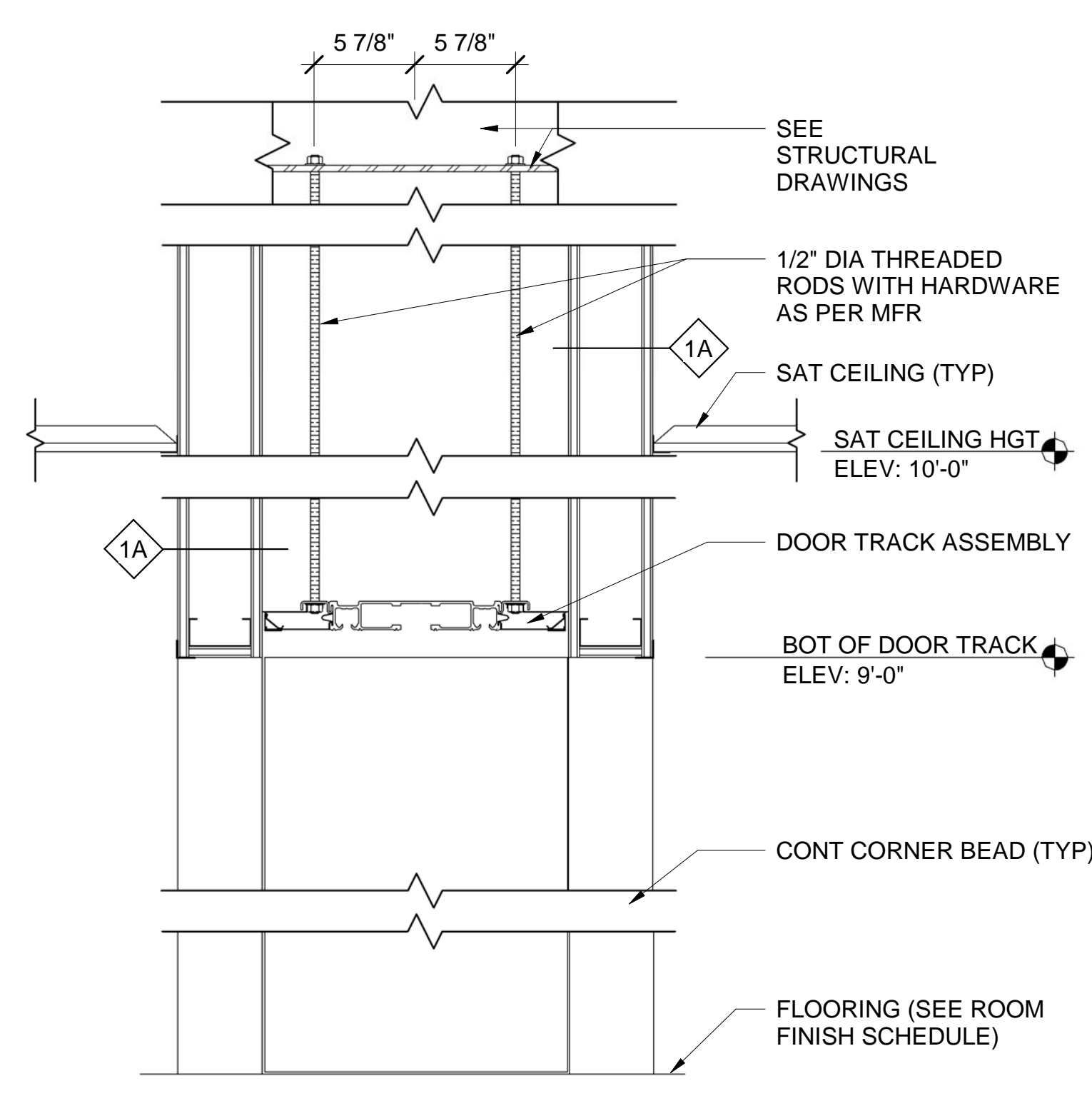
3 FIRE DOOR A46 POCKET AND STRICKER PLAN DETAIL

AE101 AE549 SCALE: 1 1/2" = 1'-0"



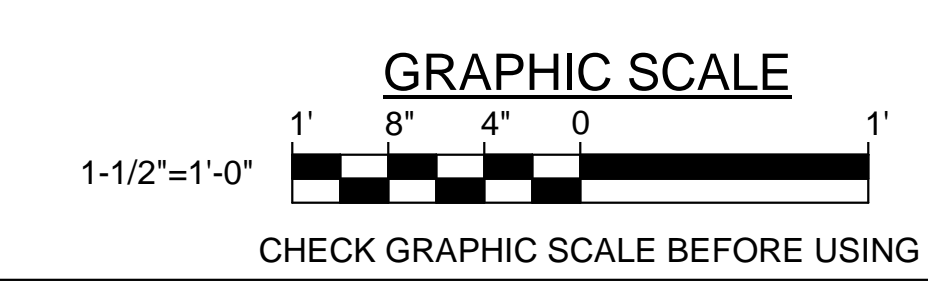
4 CLASSROOM - OPERABLE PARTITION

AE103 AE549 SCALE: 1 1/2" = 1'-0"



5 FIRE DOOR HEAD DETAIL

AE549 AE549 SCALE: 1 1/2" = 1'-0"



		STATE OF MAINE PUBLIC SCHOOL PROJECT TITLE: PORTLAND PUBLIC SCHOOLS NEW FRED P. HALL ELEMENTARY SCHOOL LOCATION: 23 ORONO ROAD, PORTLAND, ME TITLE THIS DWG: FIREWALL DOOR AND OPERABLE PARTITION DETAILS	
		DRAWN BY: JGB CHECK BY: TGB	OAK POINT ASSOCIATES AE549
NO. DATE DESCRIPTION REVISIONS	BY NO. DATE 03/17/17	231 Main Street, Biddeford, Maine 04005 207.283.9192	178 OF 312