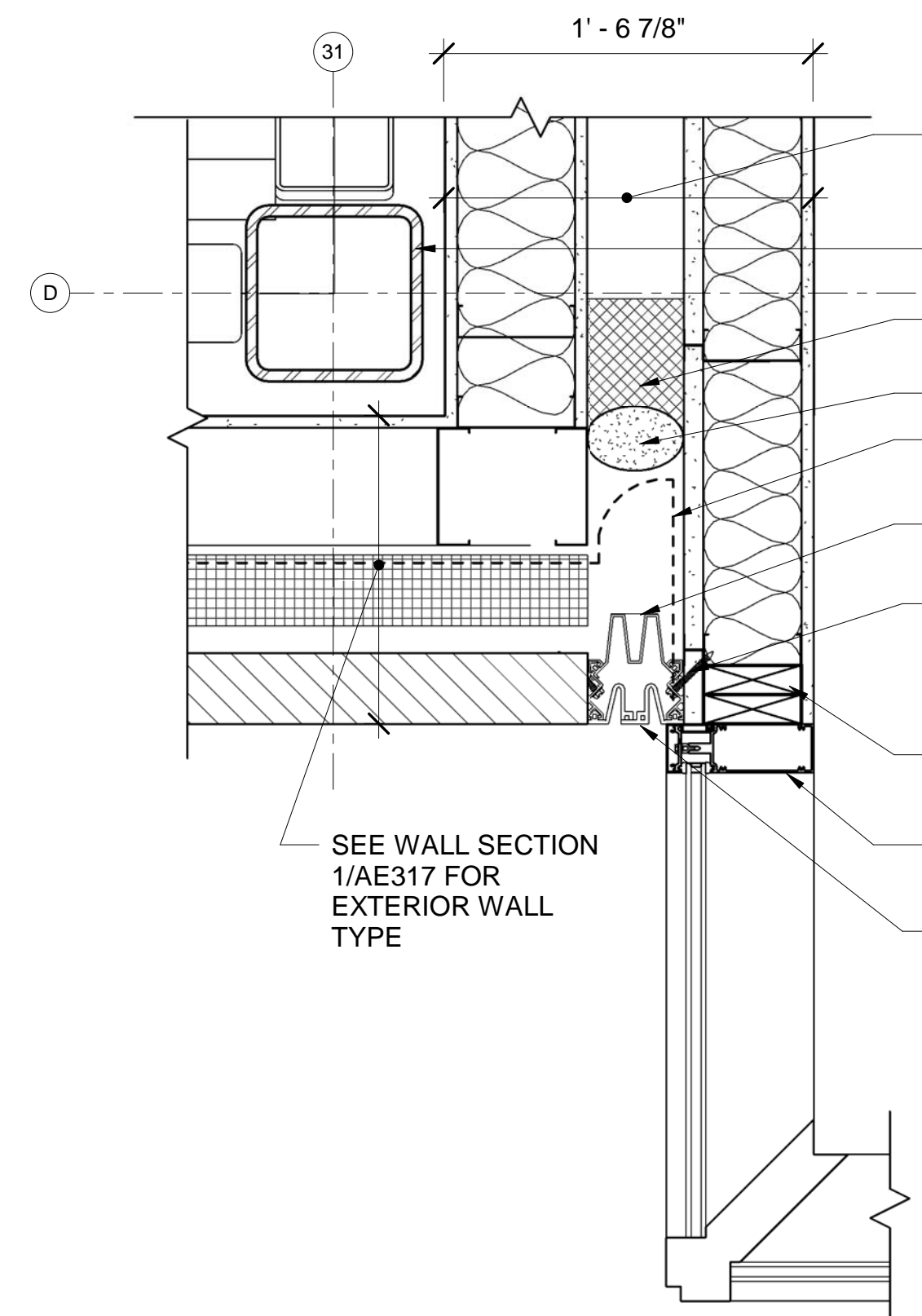


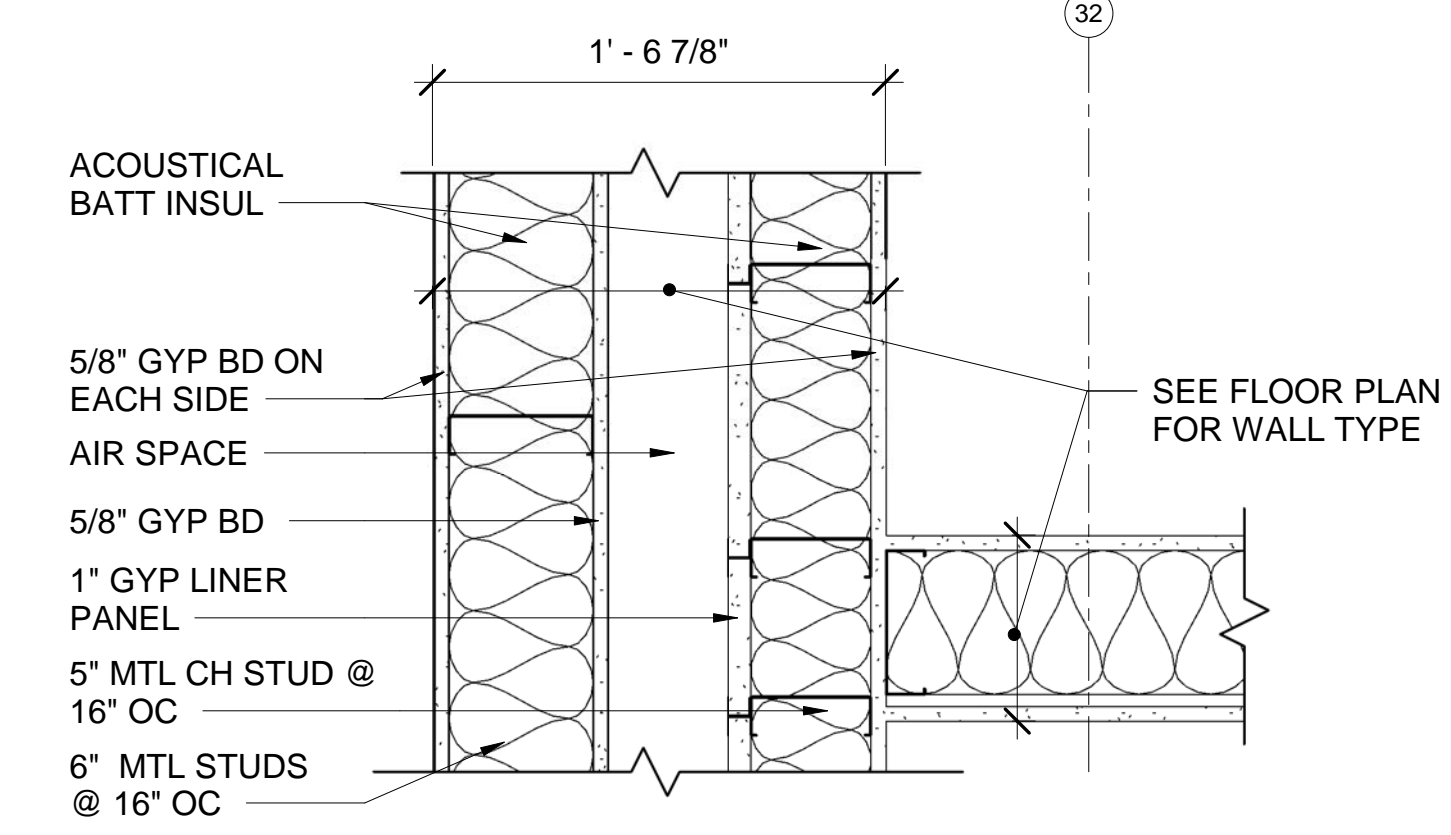
1 COLUMN K32 FIREWALL DETAIL

AE547/AE548/SCALE: 1 1/2" = 1'-0"



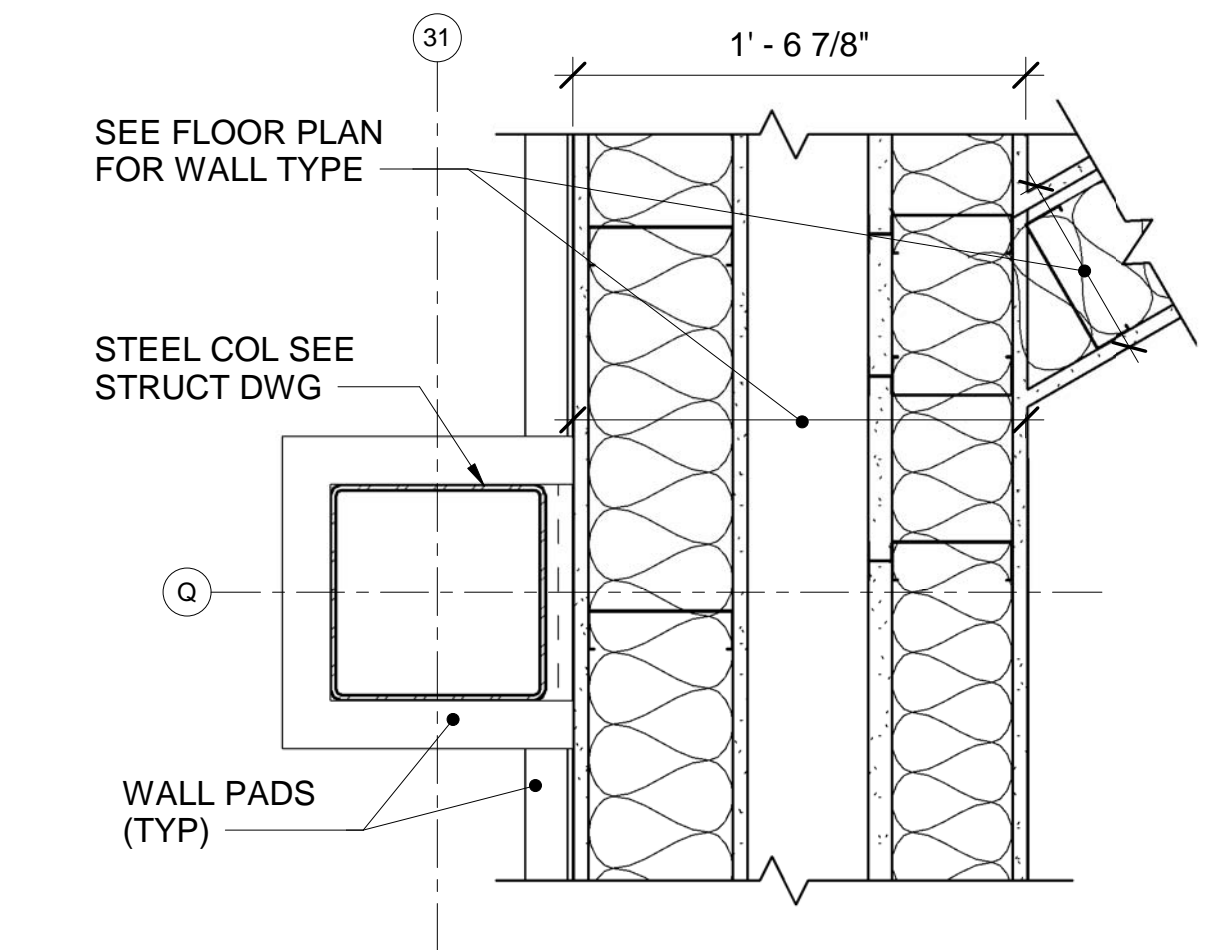
2 COLUMN D31 FIREWALL DETAIL

AE547/AE548/SCALE: 1 1/2" = 1'-0"



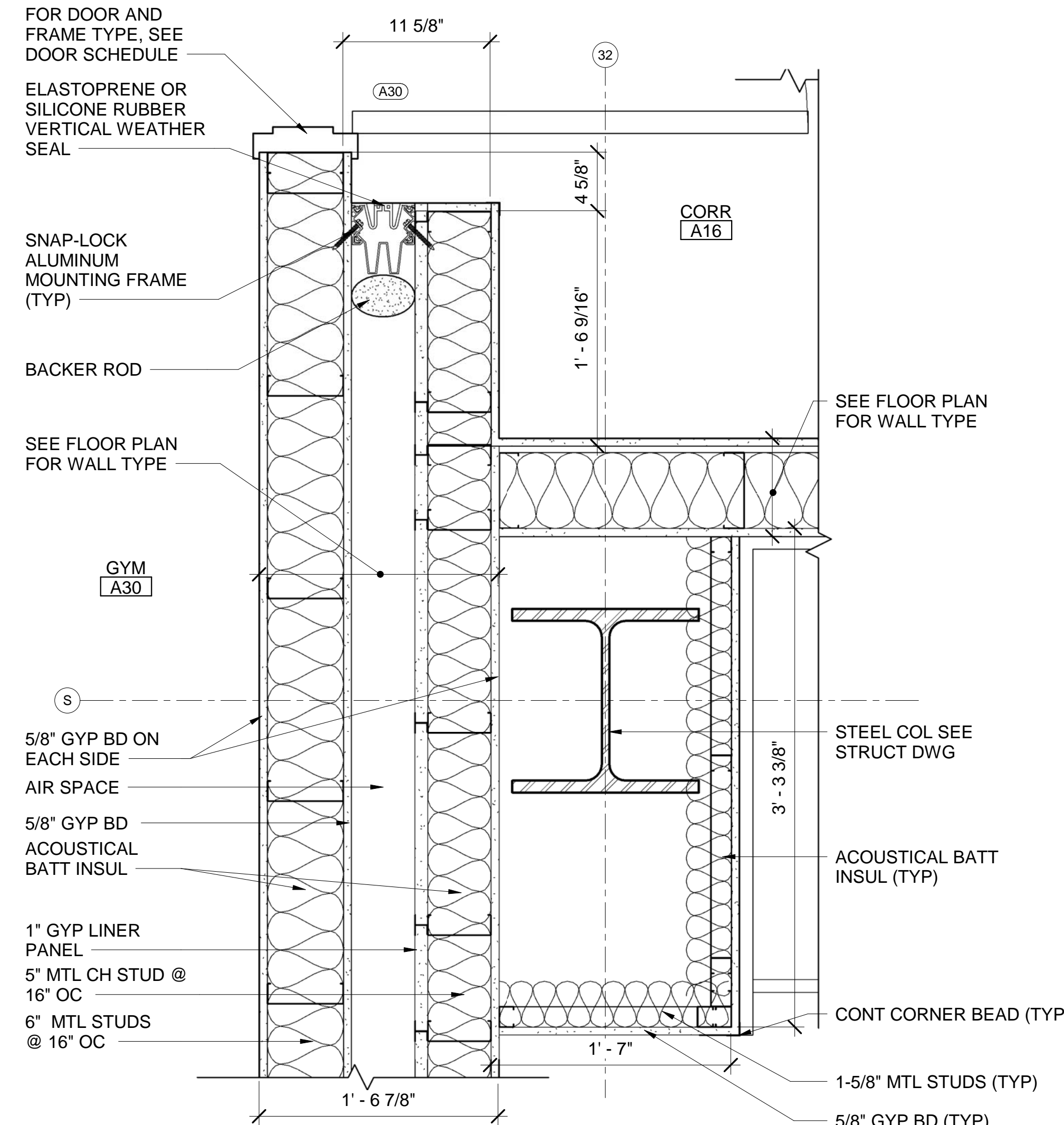
3 FIREWALL DETAIL CORR A16

AE547/AE548/SCALE: 1 1/2" = 1'-0"



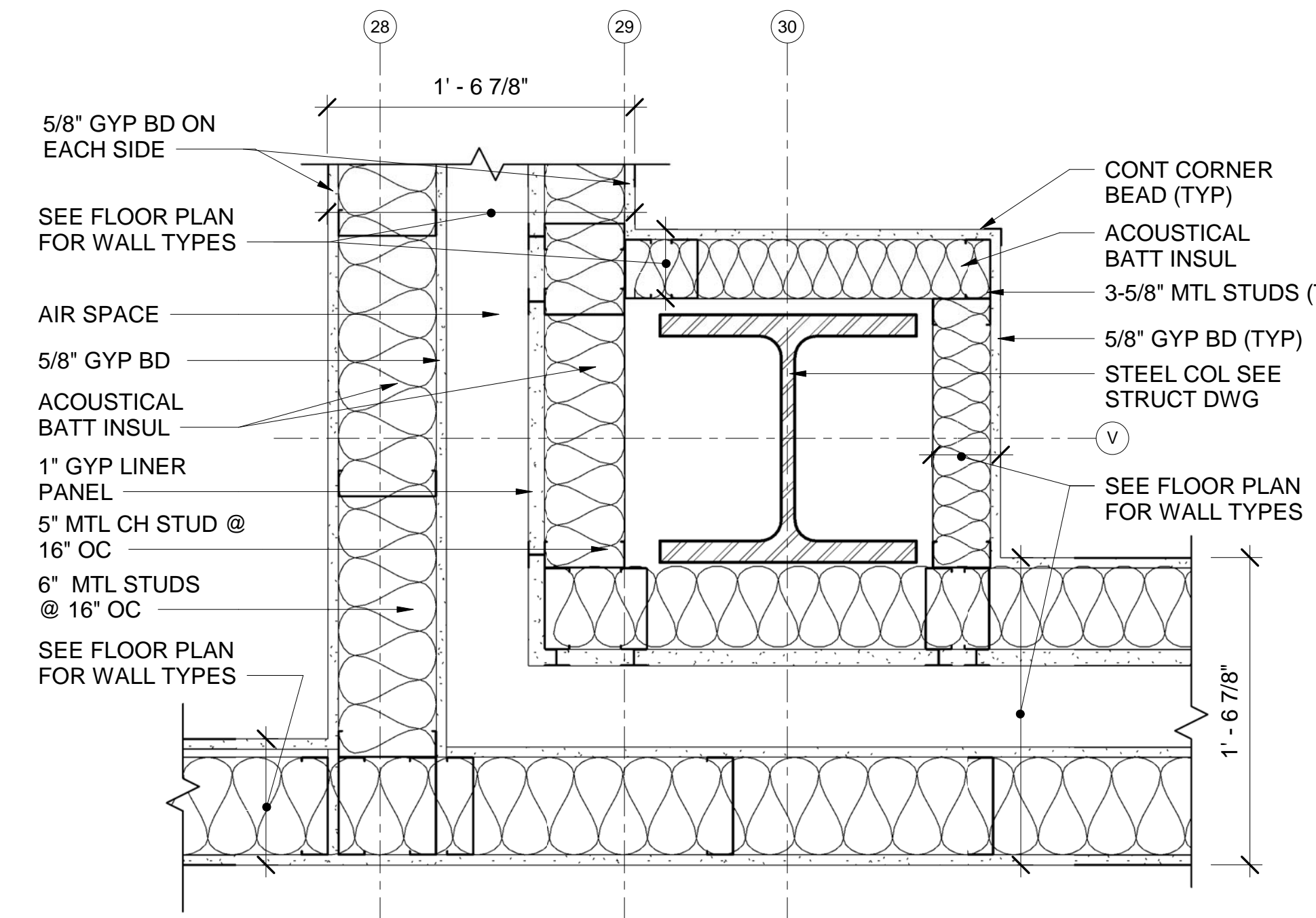
4 COLUMN Q31 FIREWALL DETAIL

AE101/AE548/SCALE: 1 1/2" = 1'-0"



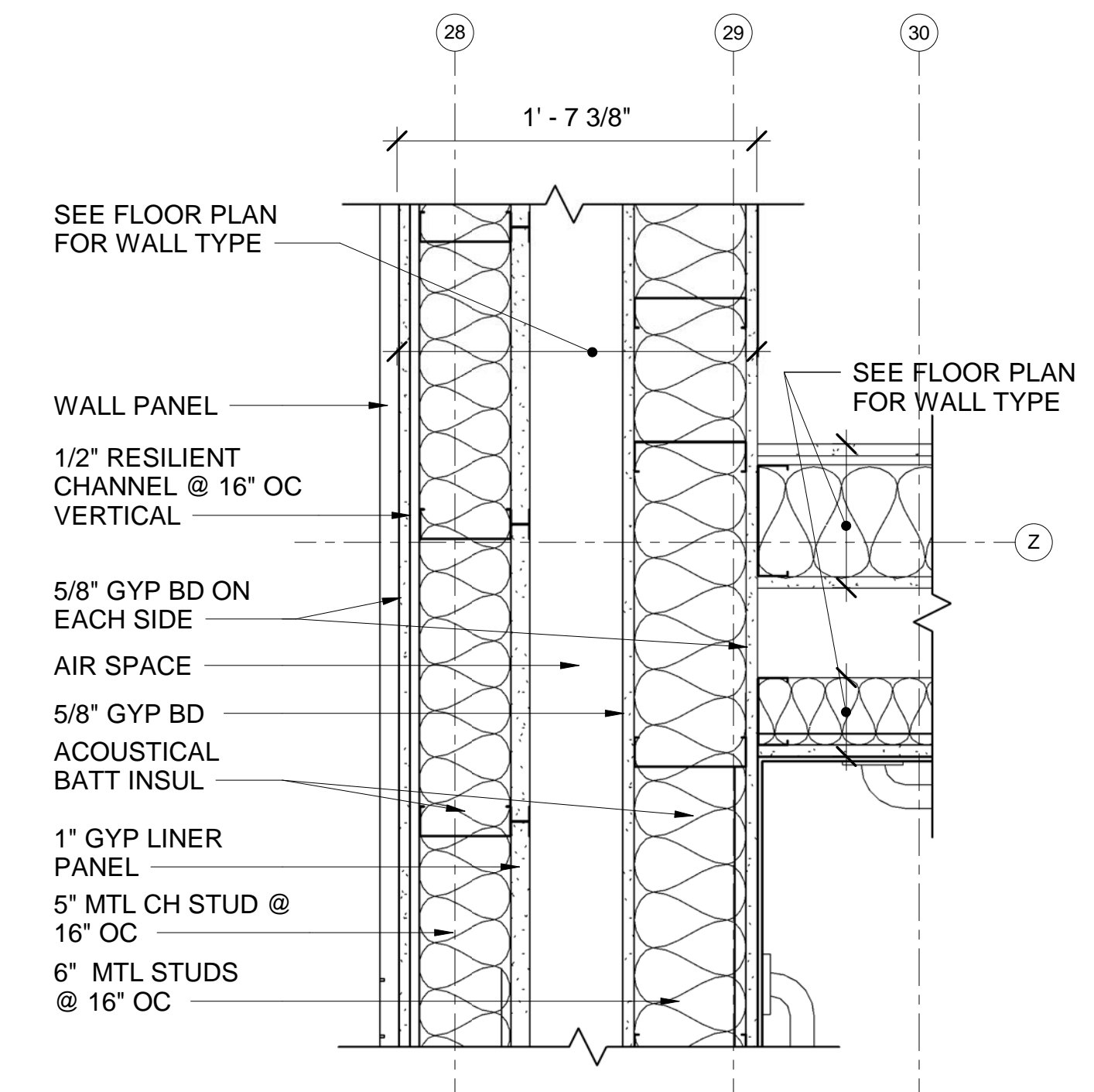
5 COLUMN S32 FIREWALL DETAIL

AE547/AE548/SCALE: 1 1/2" = 1'-0"



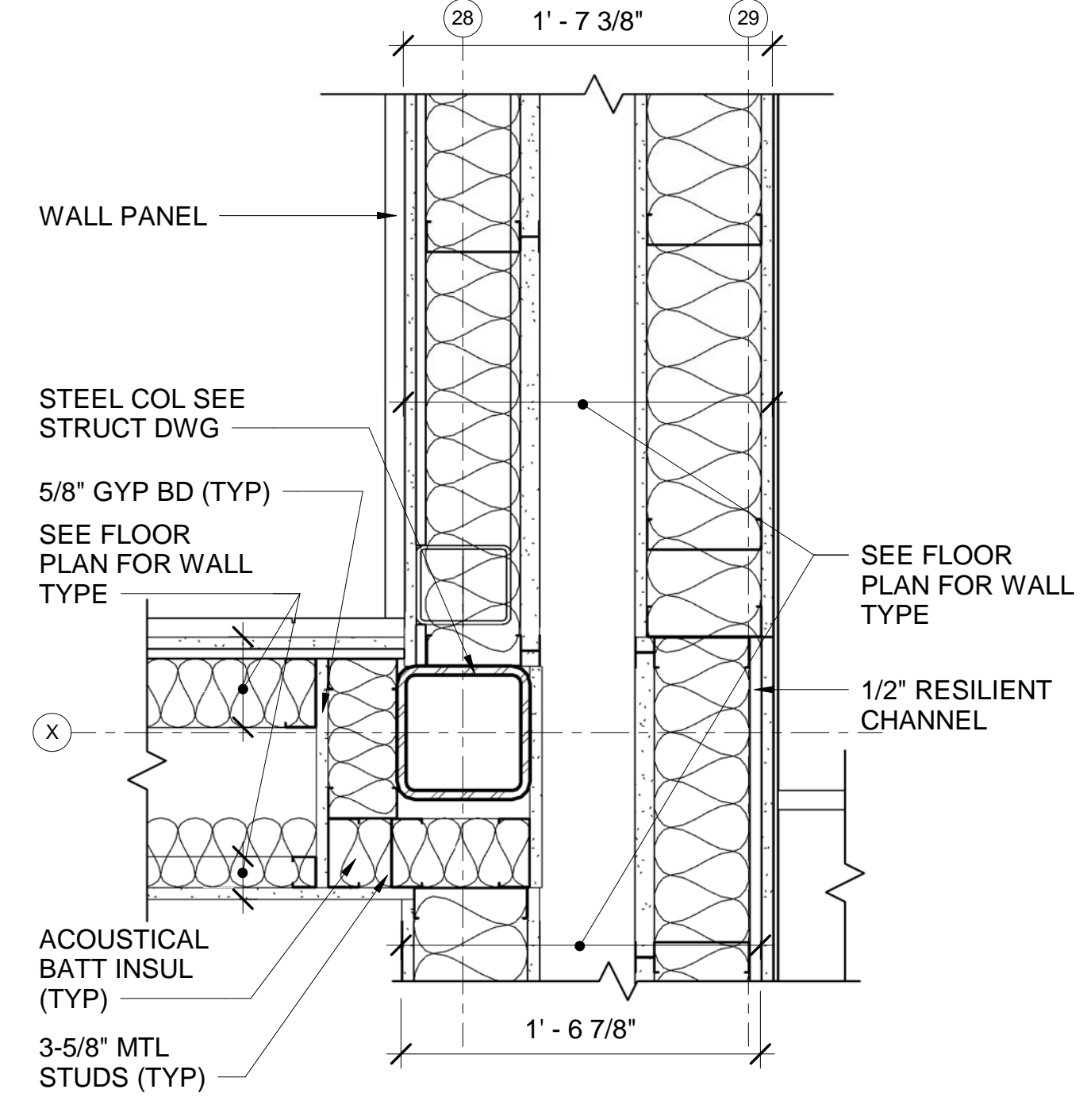
6 COLUMN V30 FIREWALL DETAIL

AE547/AE548/SCALE: 1 1/2" = 1'-0"



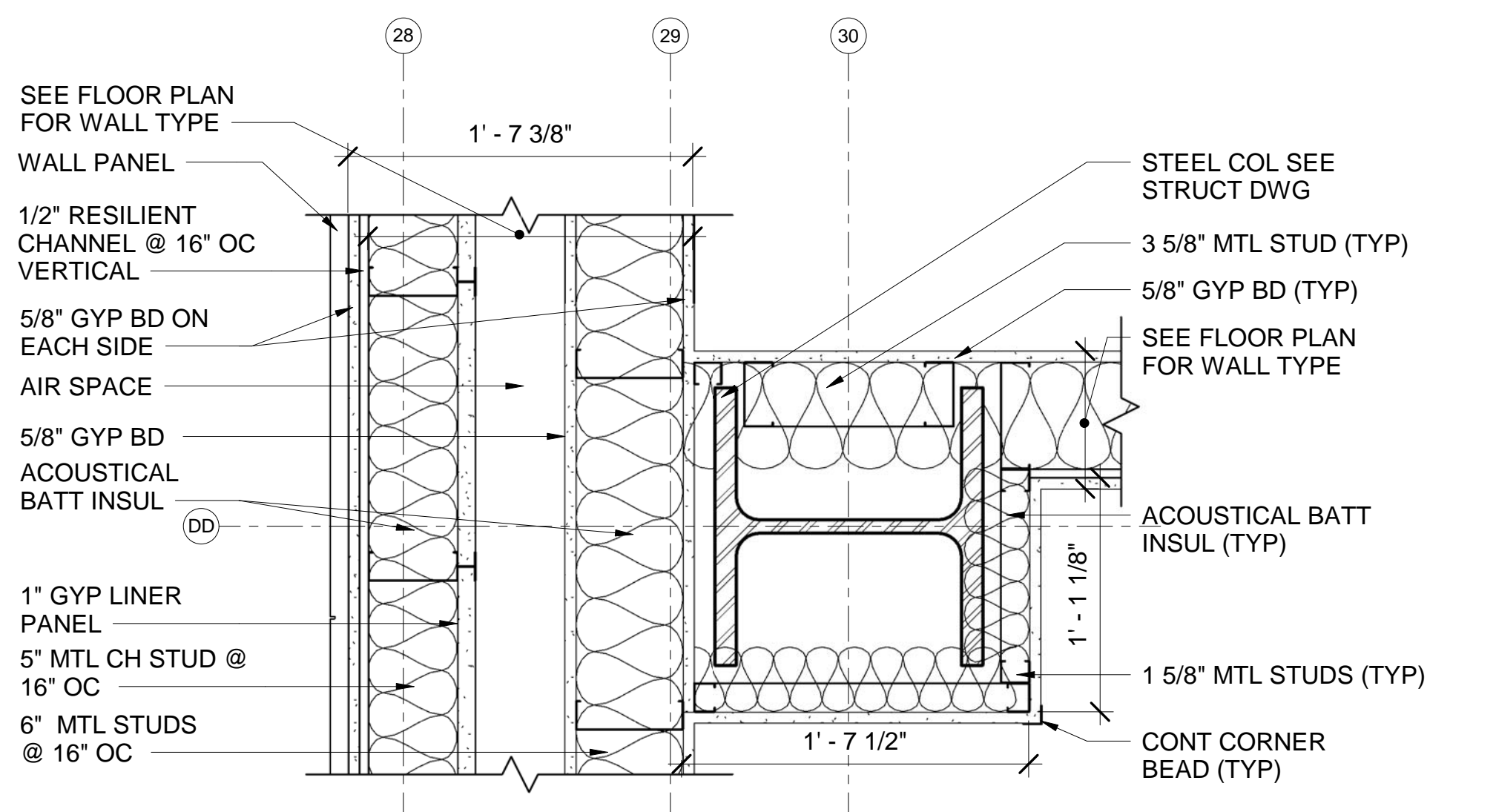
7 FIREWALL DETAIL BATHROOM A27

AE547/AE548/SCALE: 1 1/2" = 1'-0"



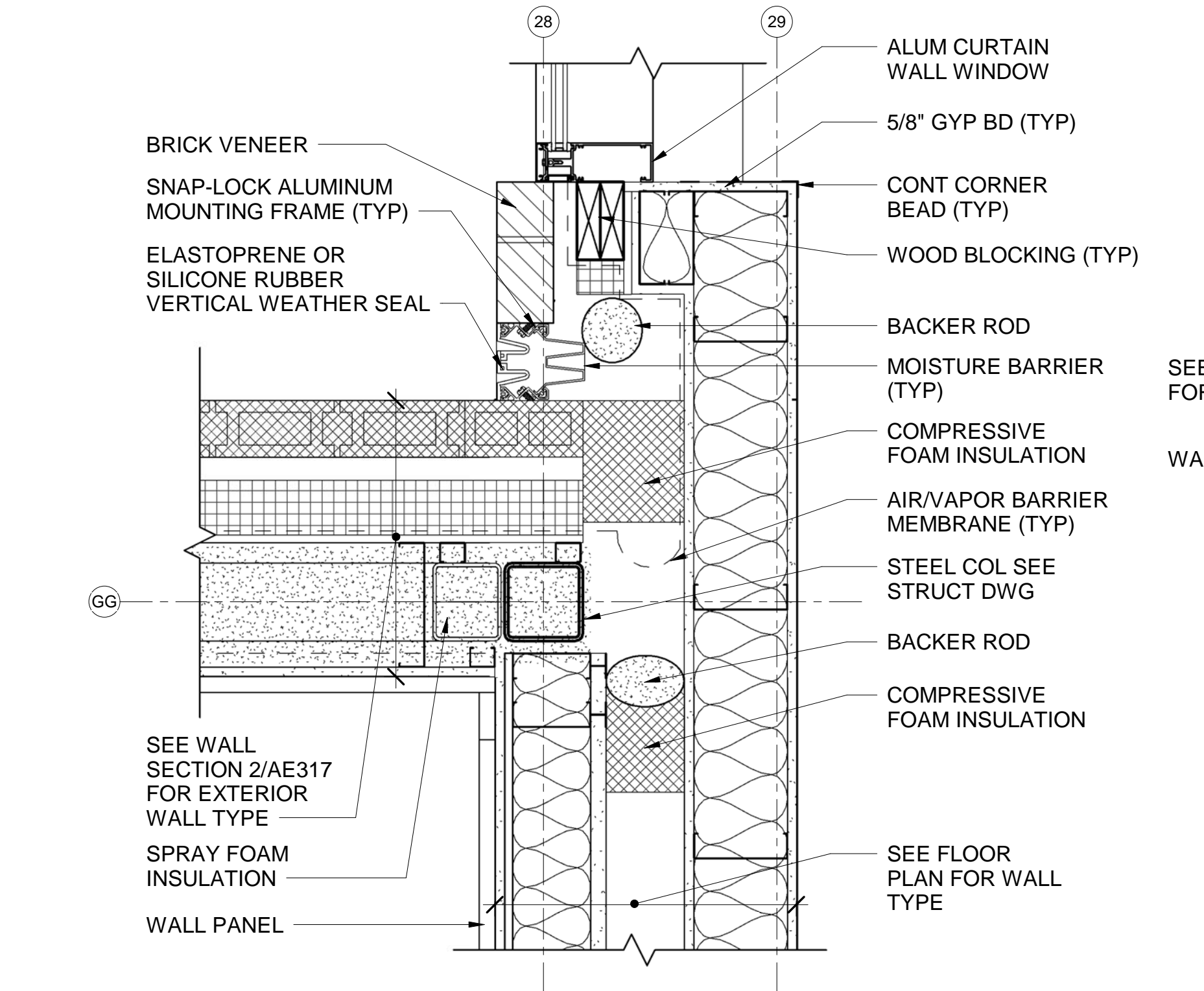
8 COLUMN X28 WALL DETAIL

AE101/AE548/SCALE: 1 1/2" = 1'-0"



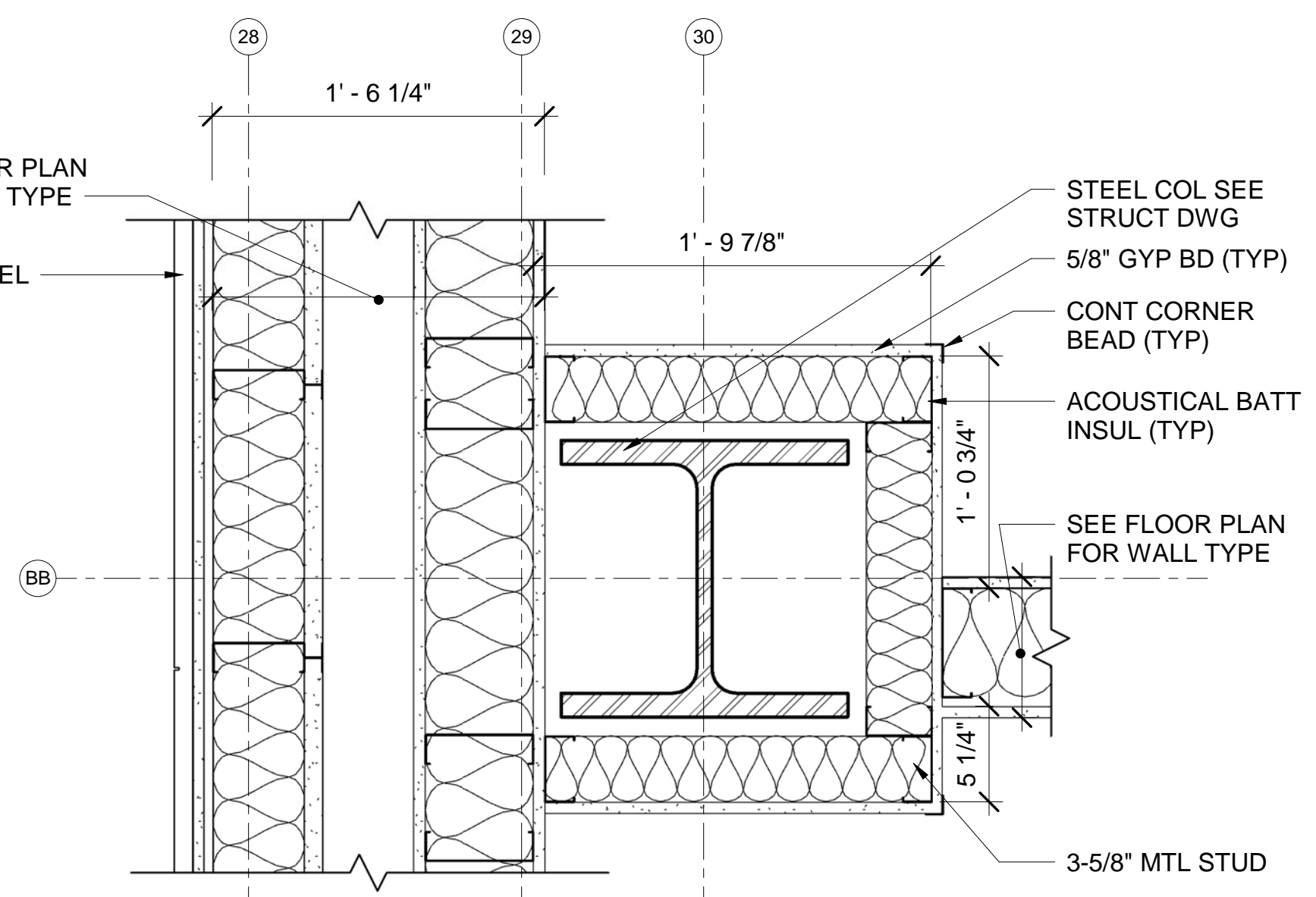
9 COLUMN DD30 FIREWALL DETAIL

AE547/AE548/SCALE: 1 1/2" = 1'-0"



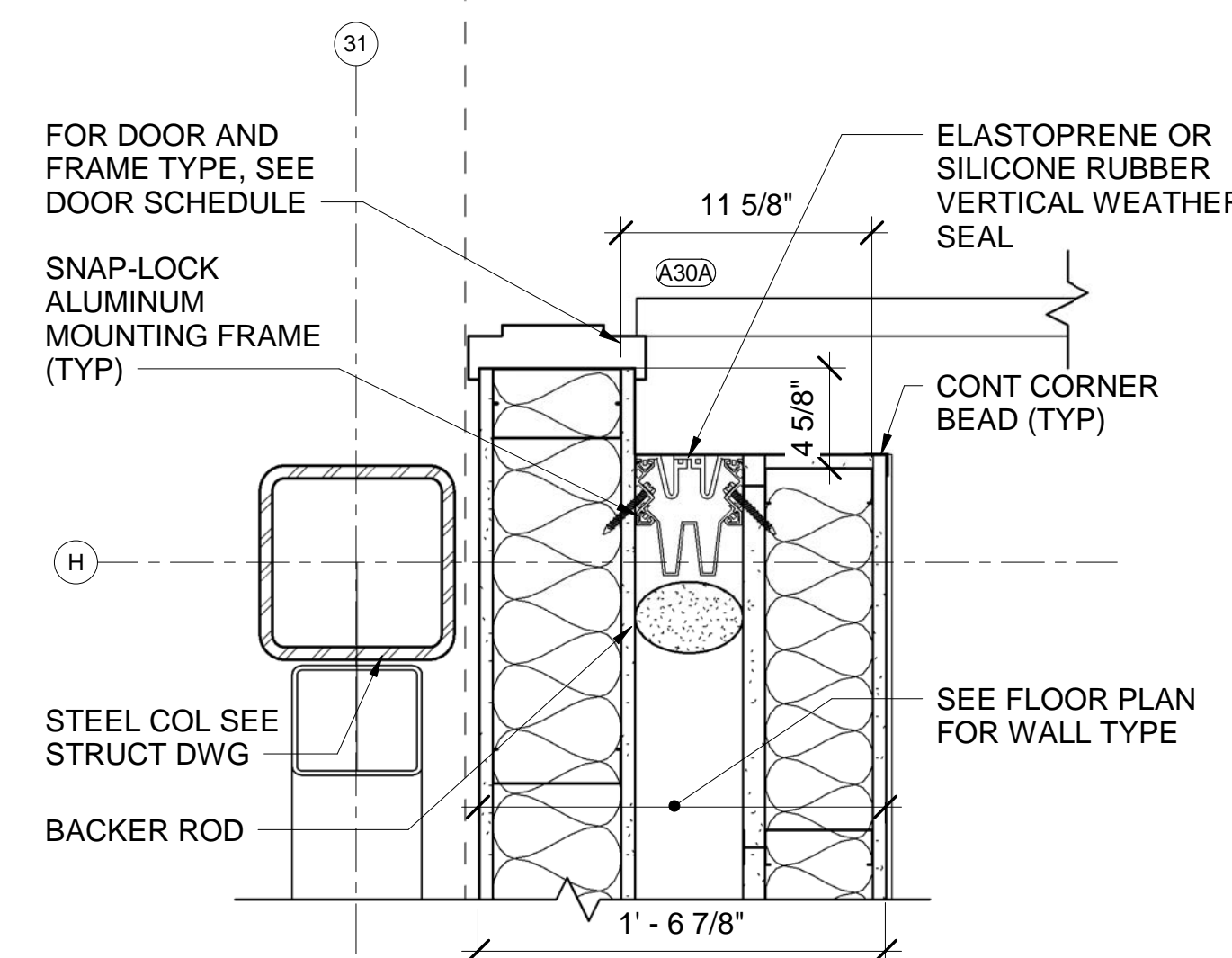
10 COLUMN GG28 FIREWALL DETAIL

AE547/AE548/SCALE: 1 1/2" = 1'-0"



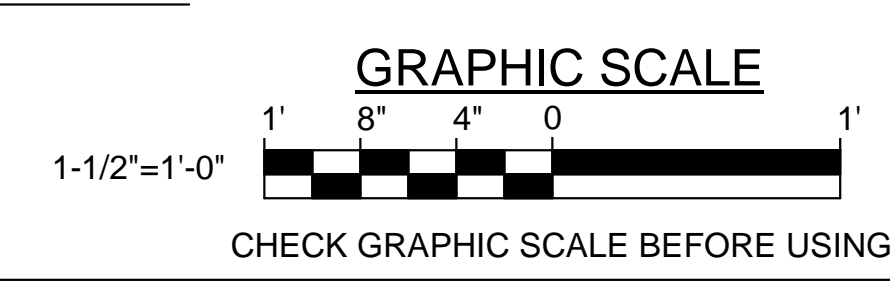
11 COLUMN BB30 FIREWALL DETAIL

AE547/AE548/SCALE: 1 1/2" = 1'-0"



12 COLUMN H31 FIREWALL DOOR JAMB DETAIL

AE547/AE548/SCALE: 1 1/2" = 1'-0"



		STATE OF MAINE PUBLIC SCHOOL PROJECT	
		TITLE: PORTLAND PUBLIC SCHOOLS NEW FRED P. HALL ELEMENTARY SCHOOL LOCATION: 23 ORONO ROAD, PORTLAND, ME TITLE THIS DWG: FIREWALL DETAILS 2	
DRAWN BY: JGB CHECK BY: TGB	NO. DATE REVISIONS	BY NO. DATE 03/17/17	OAK POINT ASSOCIATES AE548 SHEET NO. 177 OF 312

3/20/2017 2:30:08 PM
 C:\Users\akr\Documents\21602.08_HALL_SCHOOL_ARCHITECTURAL_V17.ssk\gsheet.rvt