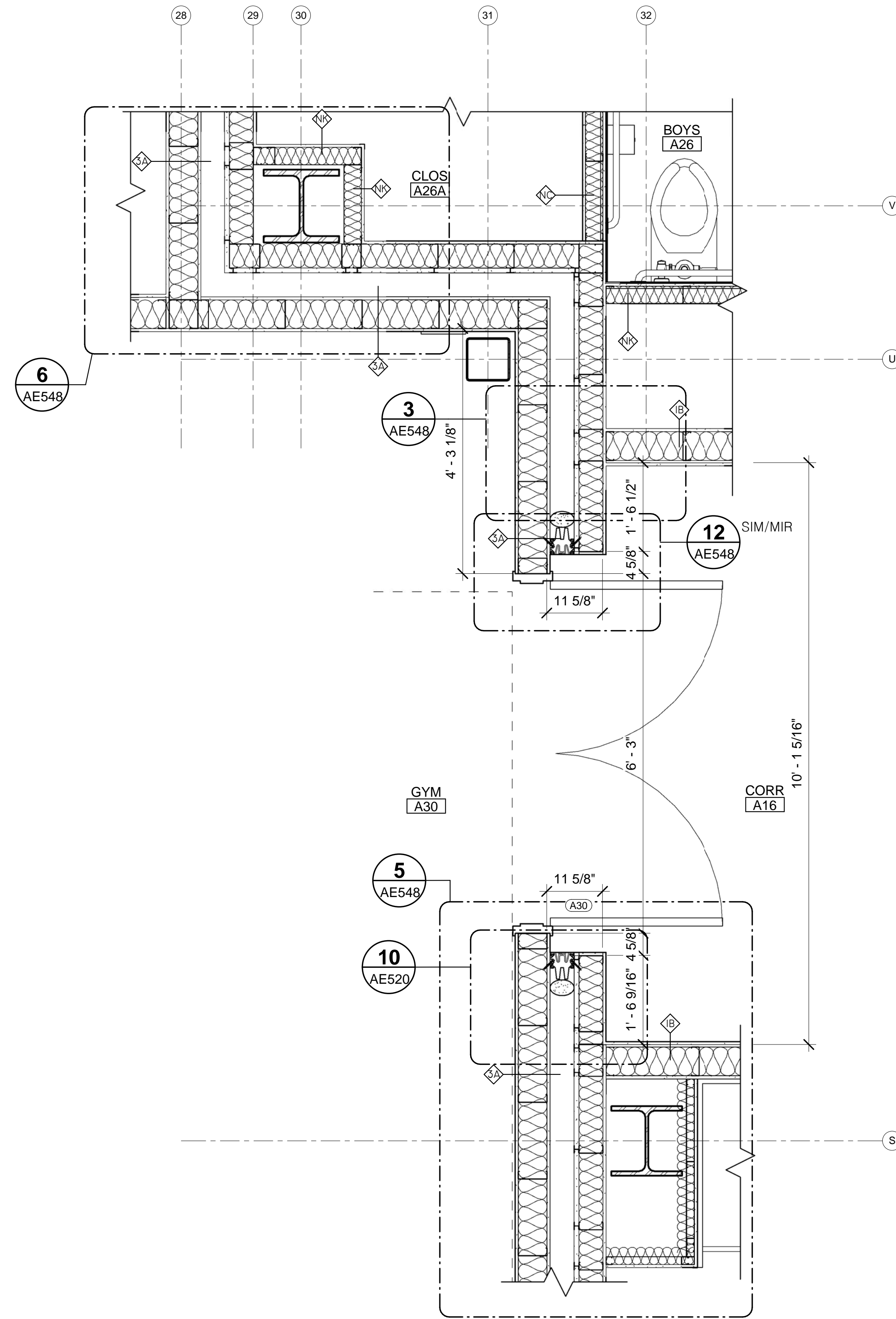
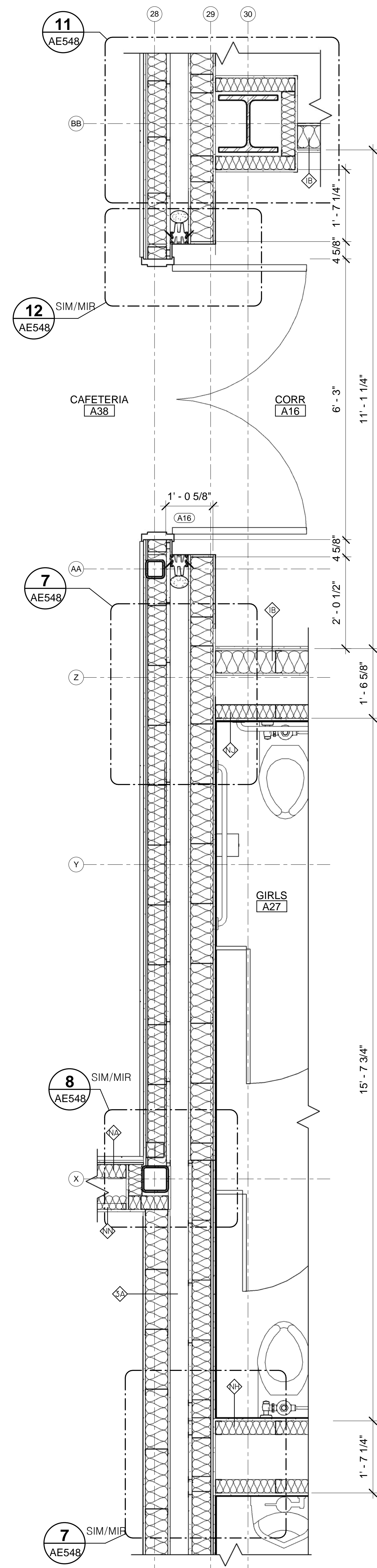


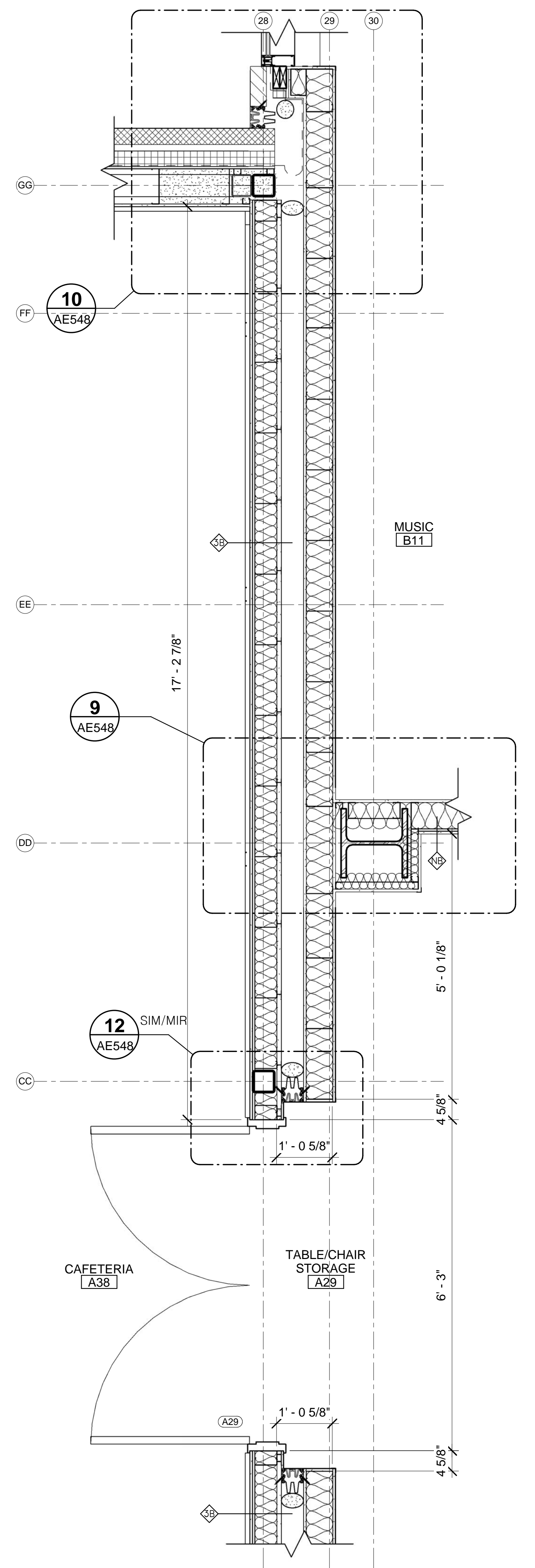
1 ENLARGED FIRST FLOOR FIREWALL PLAN 1
 AE101 AE547 SCALE: 3/4" = 1'-0"



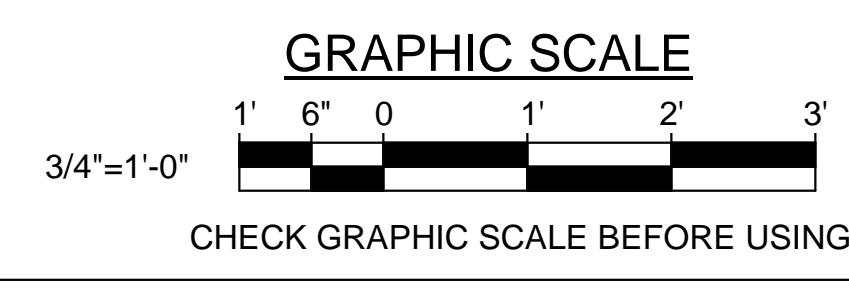
2 ENLARGED FIRST FLOOR FIREWALL PLAN 2
 AE101 AE547 SCALE: 3/4" = 1'-0"



3 ENLARGED FIRST FLOOR FIREWALL PLAN 3
 AE101 AE547 SCALE: 3/4" = 1'-0"



4 ENLARGED FIRST FLOOR FIREWALL PLAN 4
 AE101 AE547 SCALE: 3/4" = 1'-0"



		STATE OF MAINE PUBLIC SCHOOL PROJECT TITLE: PORTLAND PUBLIC SCHOOLS NEW FRED P. HALL ELEMENTARY SCHOOL LOCATION: 23 ORONO ROAD, PORTLAND, ME TITLE THIS DWG.: FIREWALL DETAILS 1	
DRAWN BY: JGB CHECK BY: TGB	BY: NO. DATE: 03/17/17	OAK POINT ASSOCIATES 231 Main Street, Biddeford, Maine 04005 207.283.9192	DRAWING NO.: AE547 SHEET NO.: 176 OF 312
NO. DATE	DESCRIPTION	BY	REVISIONS