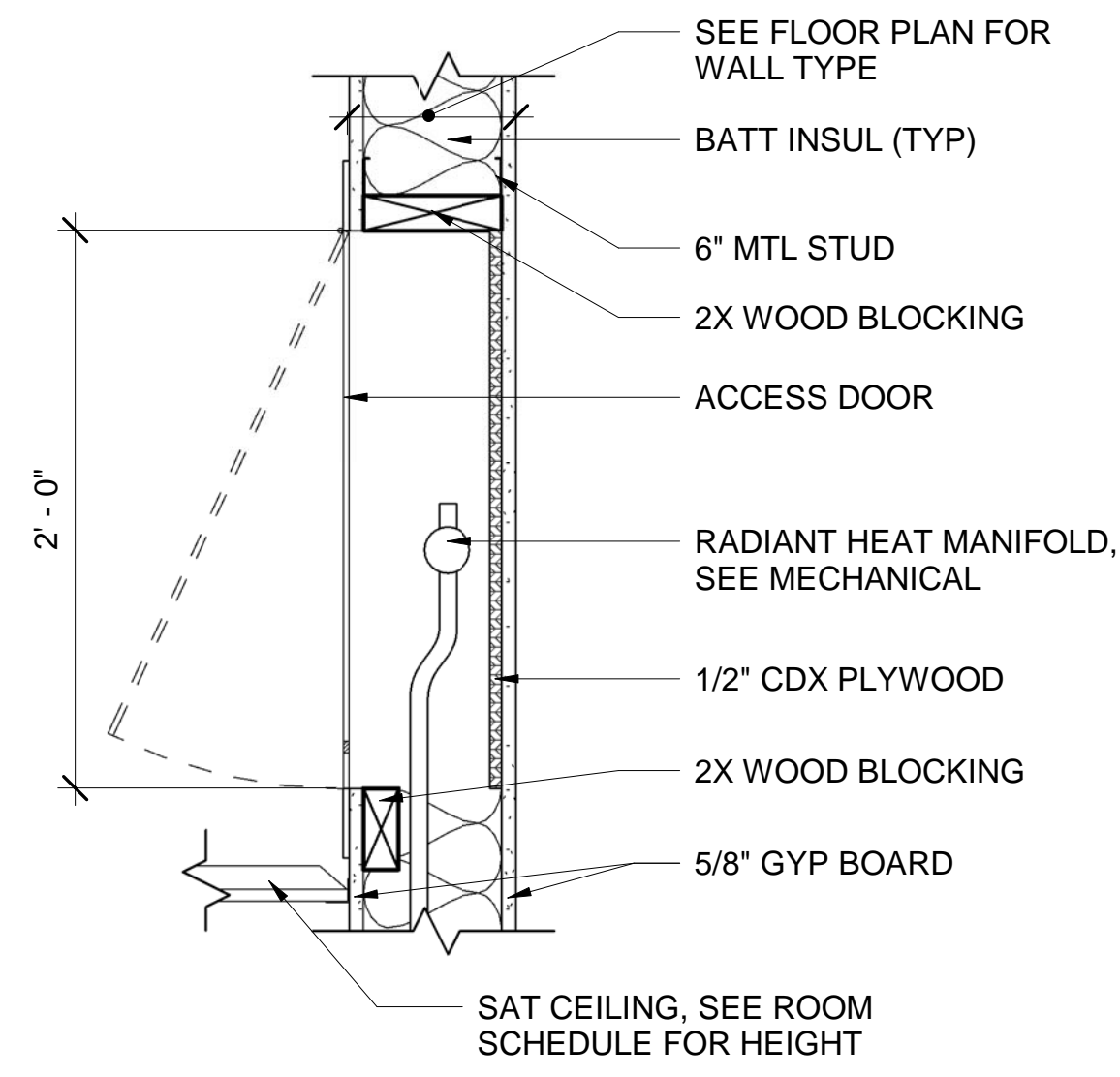
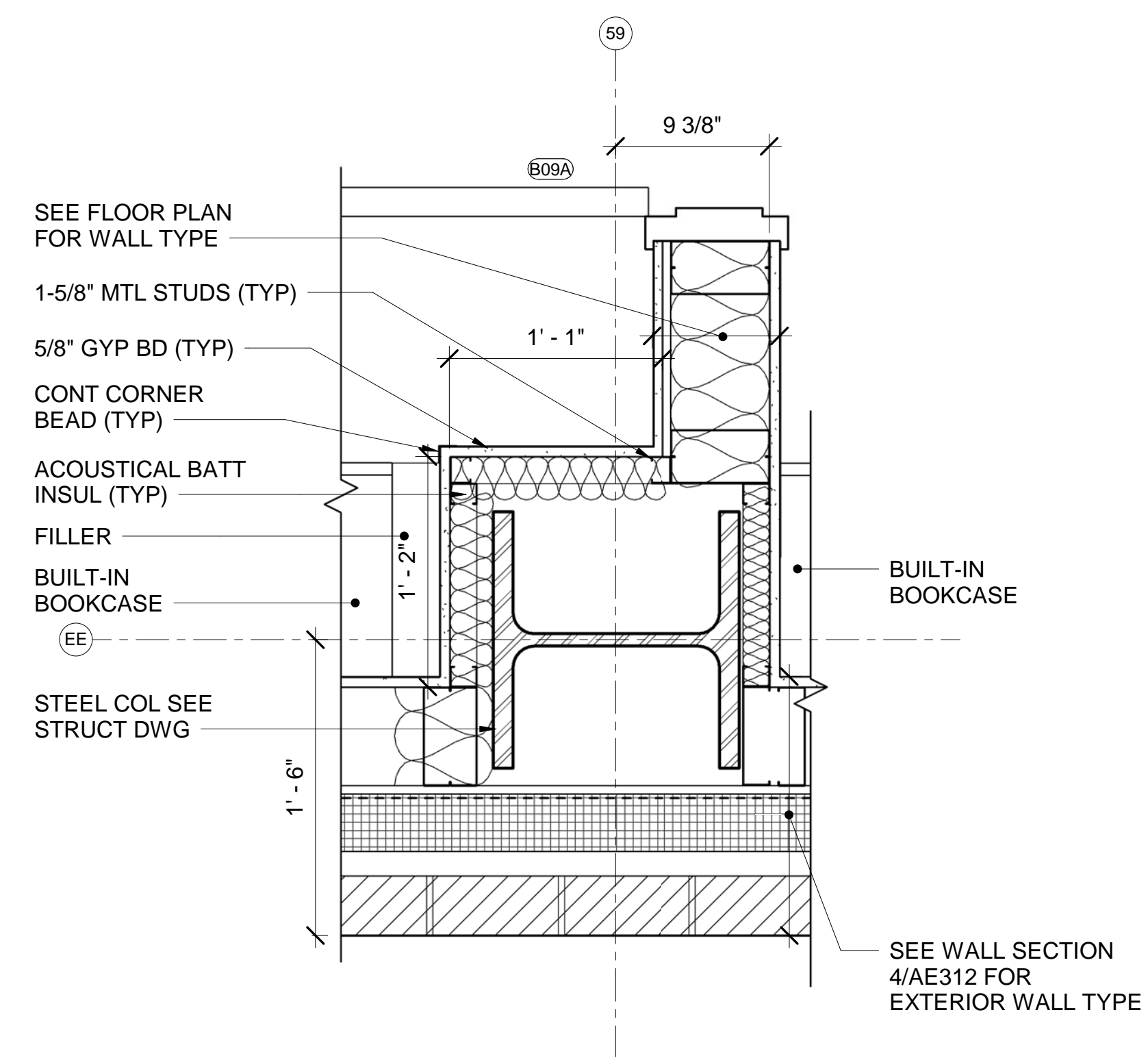


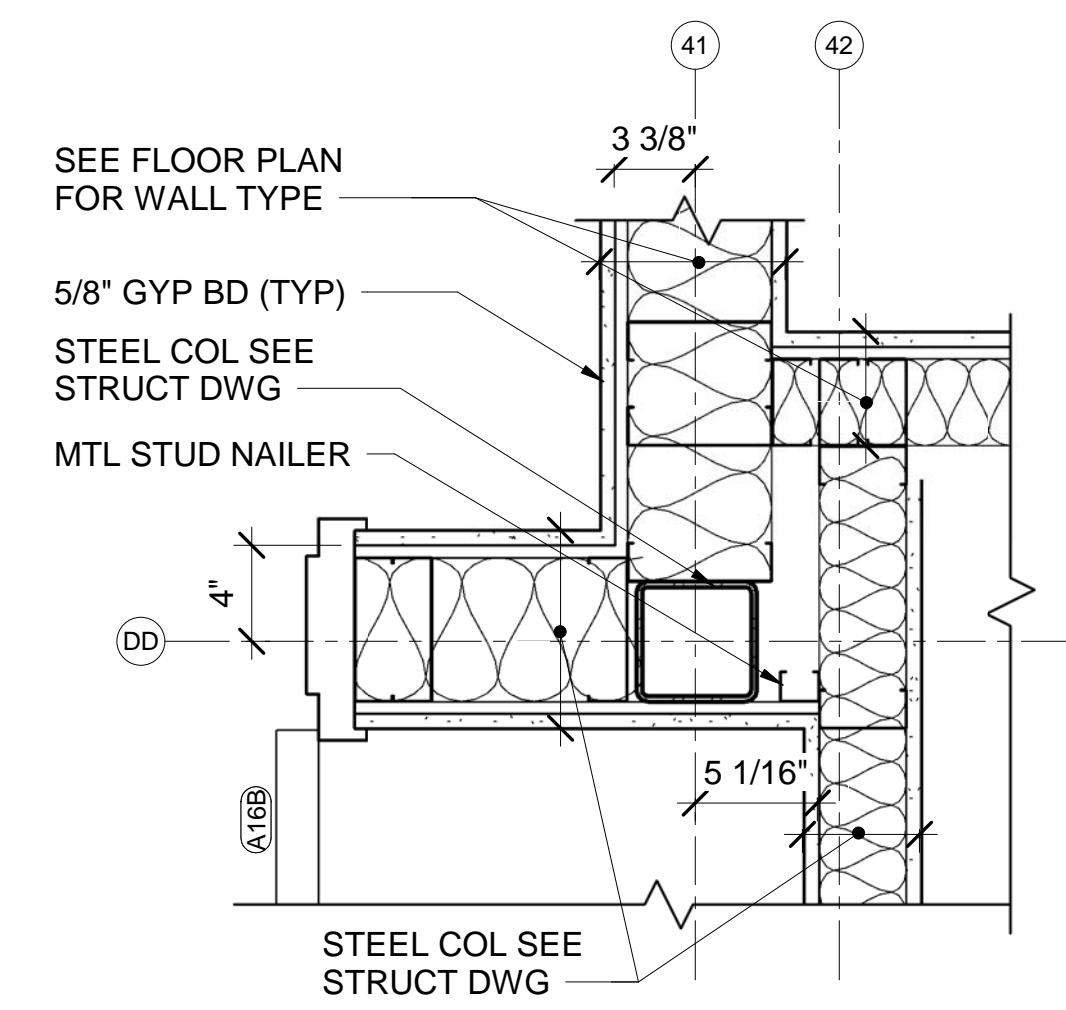
**1 COLUMN RR41 SECOND FLOOR WALL DETAIL**  
 AE104/AE545 SCALE: 1 1/2" = 1'-0"



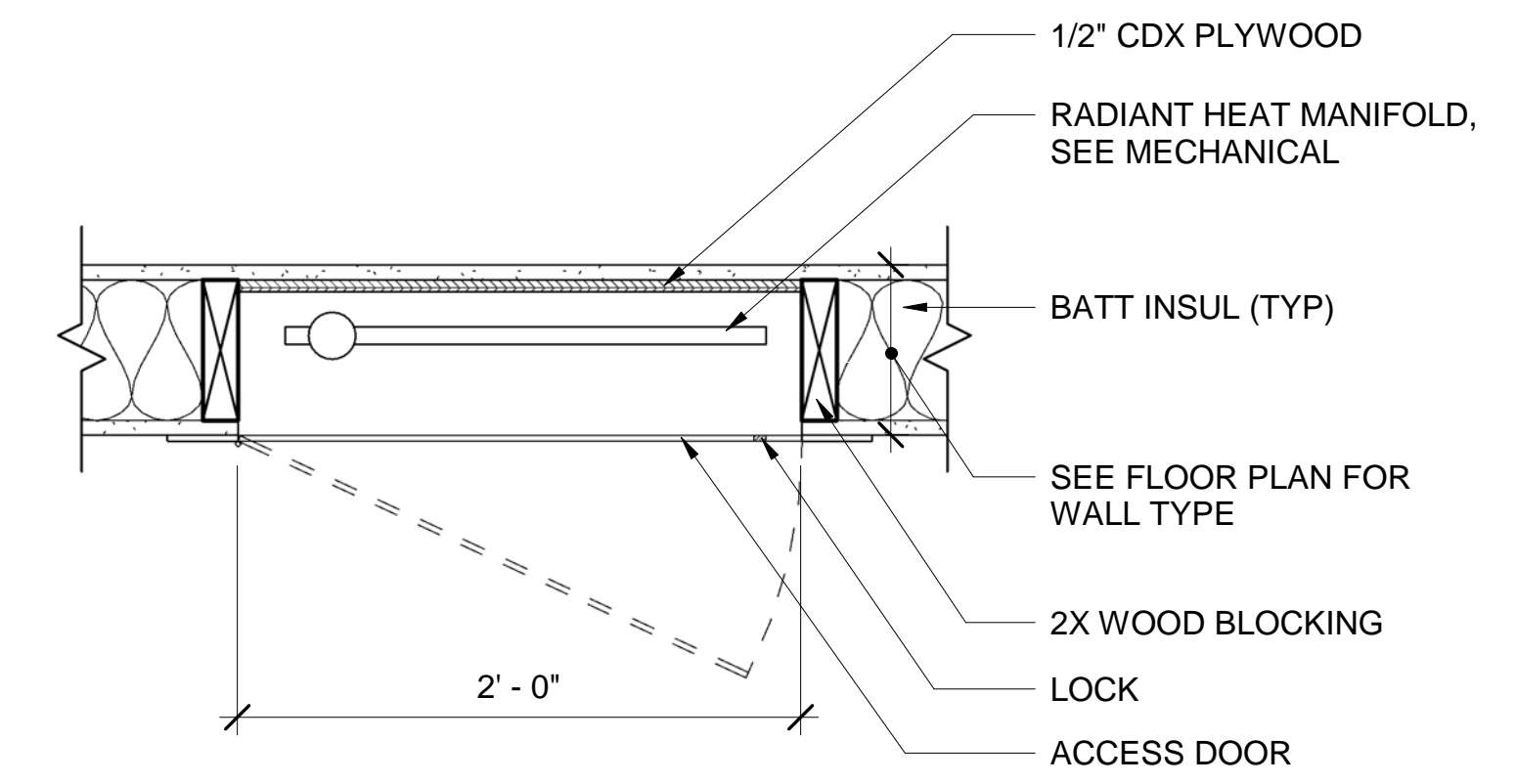
**5 RADIANT MANIFOLD ACCESS PANEL-ABOVE CEILING**  
 AE545 SCALE: 1 1/2" = 1'-0"



**2 COLUMN EE59 WALL DETAIL**  
 AE102/AE545 SCALE: 1 1/2" = 1'-0"



**3 COLUMN DD41 WALL DETAIL**  
 AE102/AE545 SCALE: 1 1/2" = 1'-0"



**4 RADIANT MANIFOLD ACCESS PANEL**  
 AE545 SCALE: 1 1/2" = 1'-0"



		<b>STATE OF MAINE</b> <b>PUBLIC SCHOOL PROJECT</b>	
		TITLE: PORTLAND PUBLIC SCHOOLS NEW FRED P. HALL ELEMENTARY SCHOOL LOCATION: 23 ORONO ROAD, PORTLAND, ME TITLE THIS DWG.: PLAN WALL DETAILS 6	
DRAWN BY: DEM CHECK BY: TGB		<b>OAK POINT</b> ASSOCIATES <b>AE545</b>	
NO.	DATE	DESCRIPTION	BY
		REVISIONS	DATE
			03/17/17