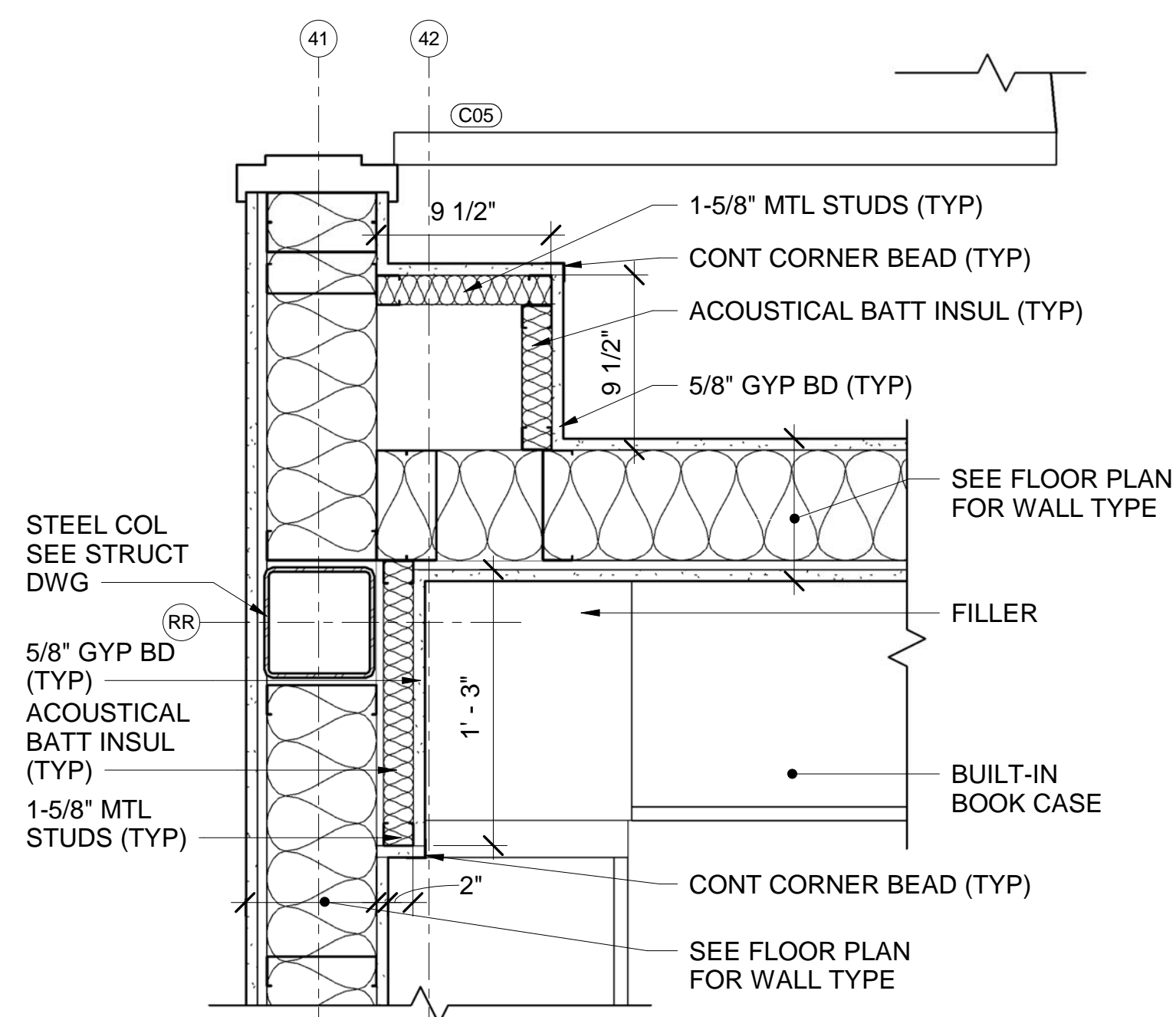


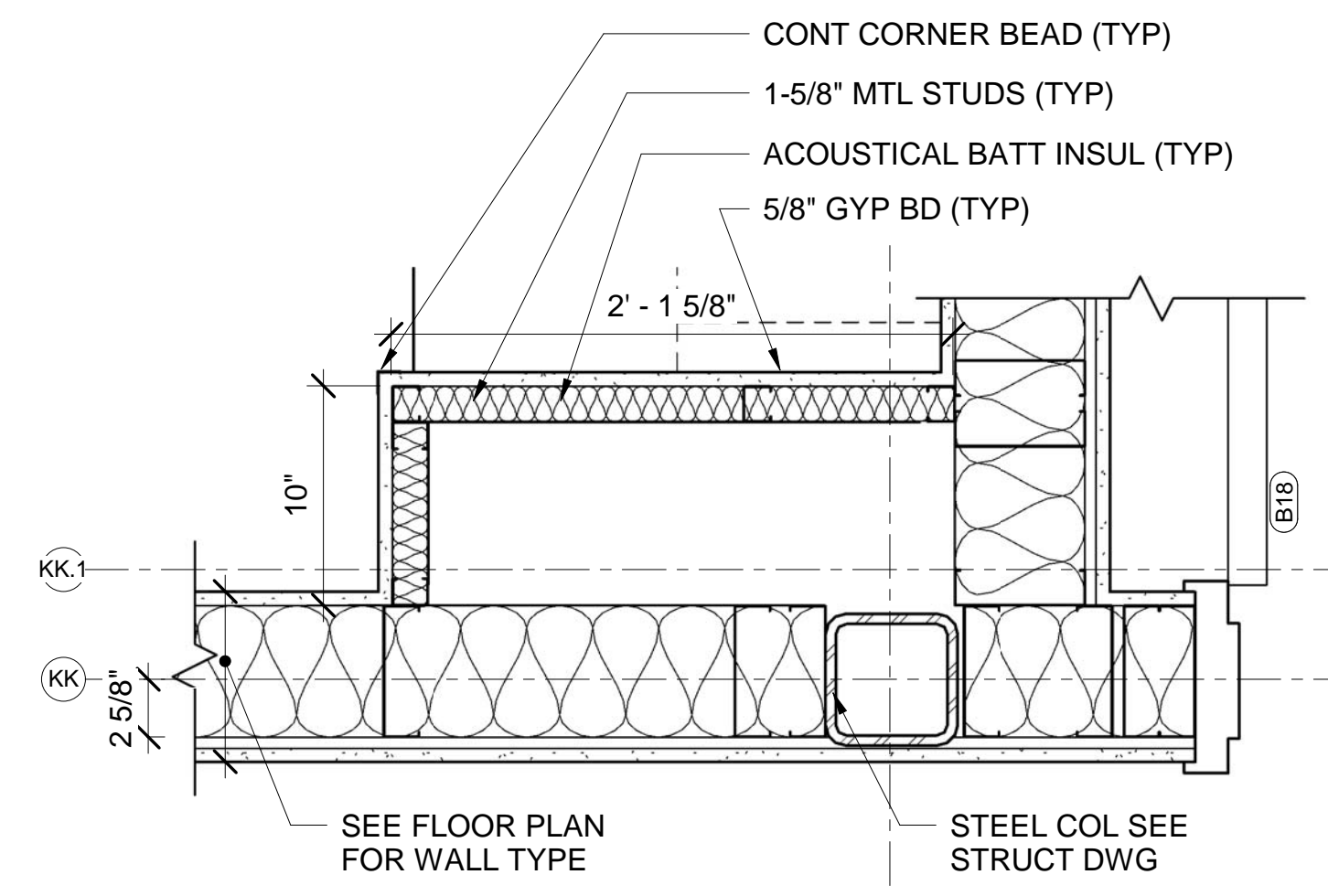
1 COLUMN CC2 WALL DETAIL

AE101 AE544 SCALE: 1 1/2" = 1'-0"



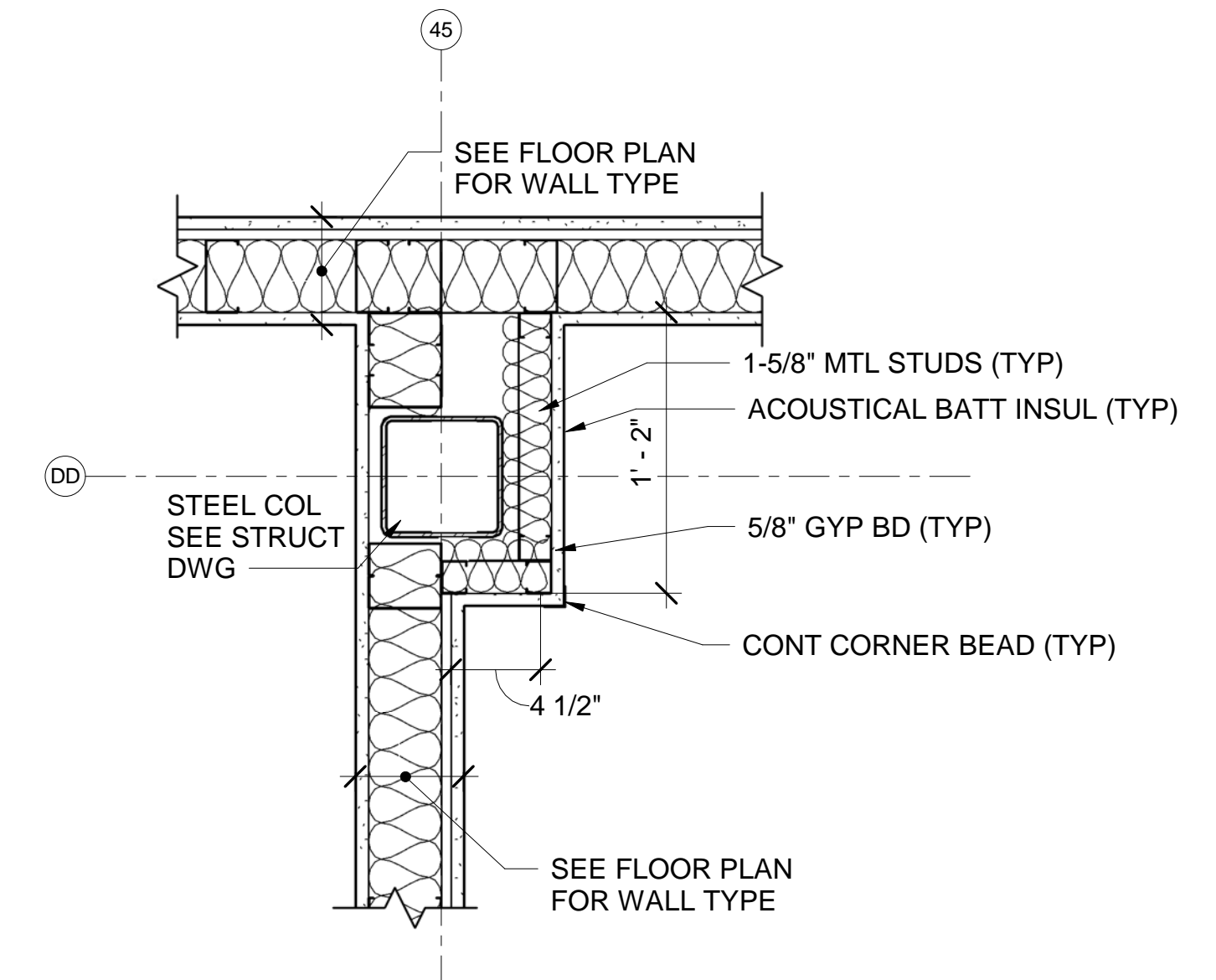
2 COLUMN RR41 WALL DETAIL

AE102 AE544 SCALE: 1 1/2" = 1'-0"



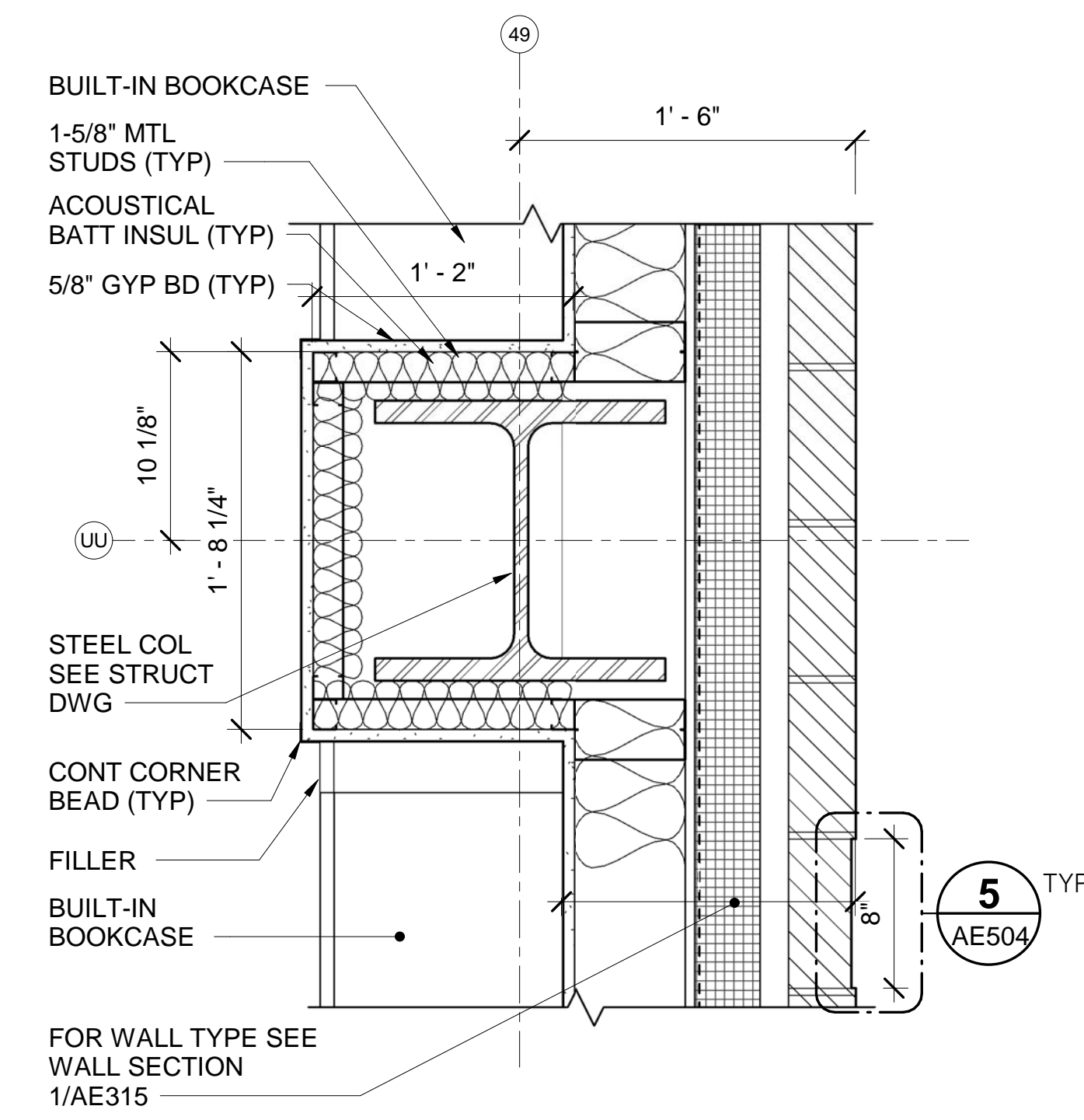
3 COLUMN KK55 WALL DETAIL

AE102 AE544 SCALE: 1 1/2" = 1'-0"



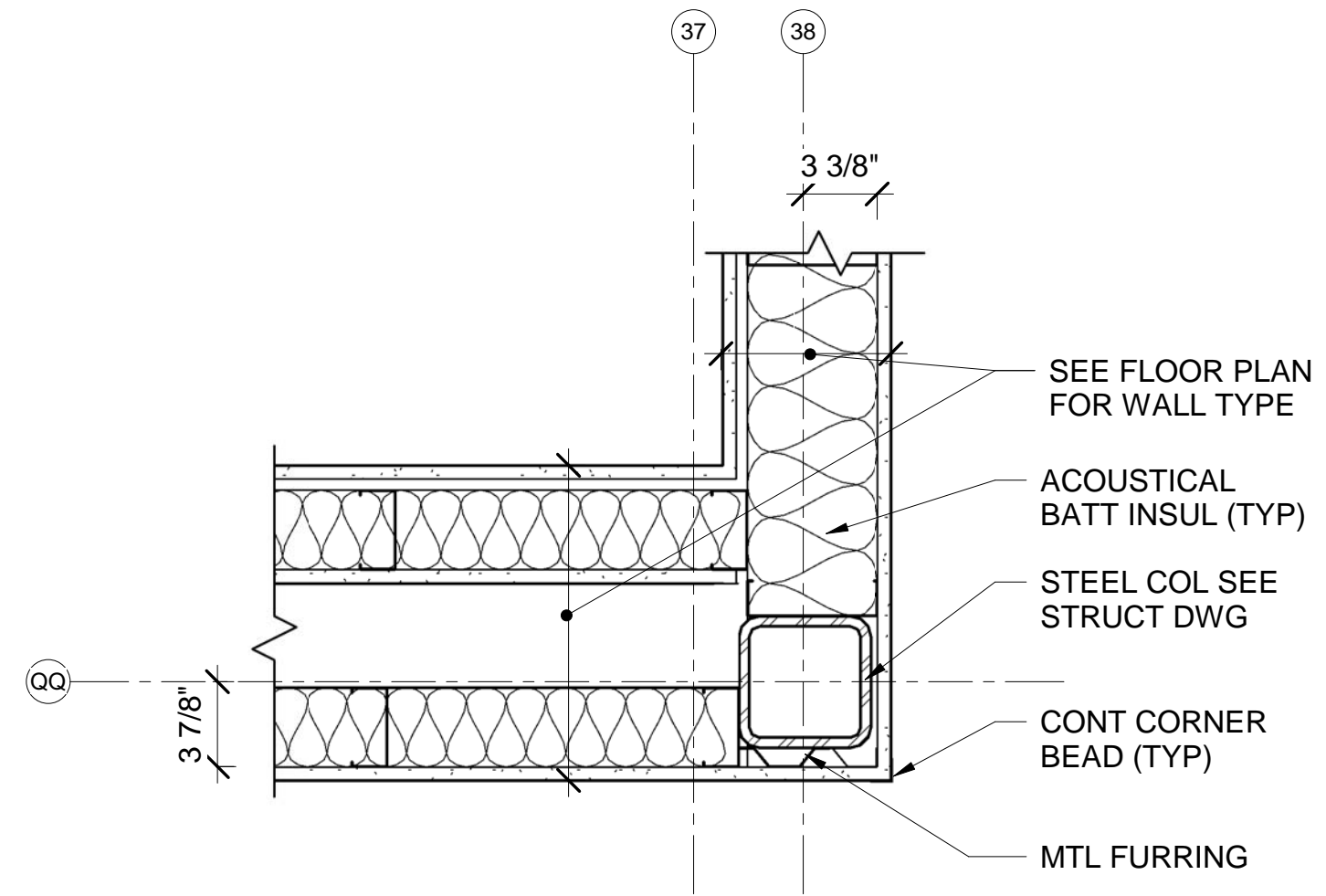
4 COLUMN DD45 WALL DETAIL

AE102 AE544 SCALE: 1 1/2" = 1'-0"



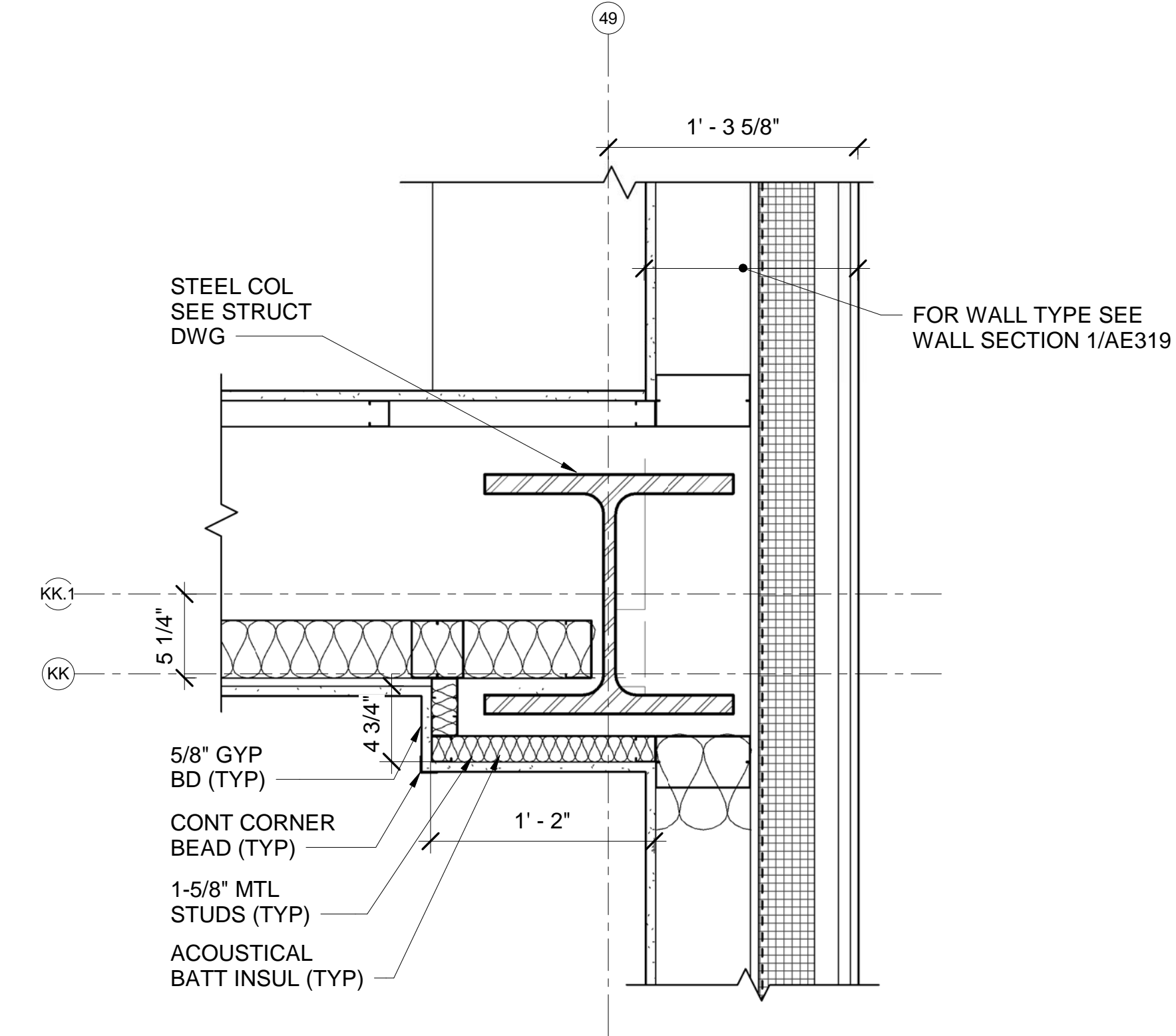
5 COLUMN UU49 WALL DETAIL

AE103 AE544 SCALE: 1 1/2" = 1'-0"



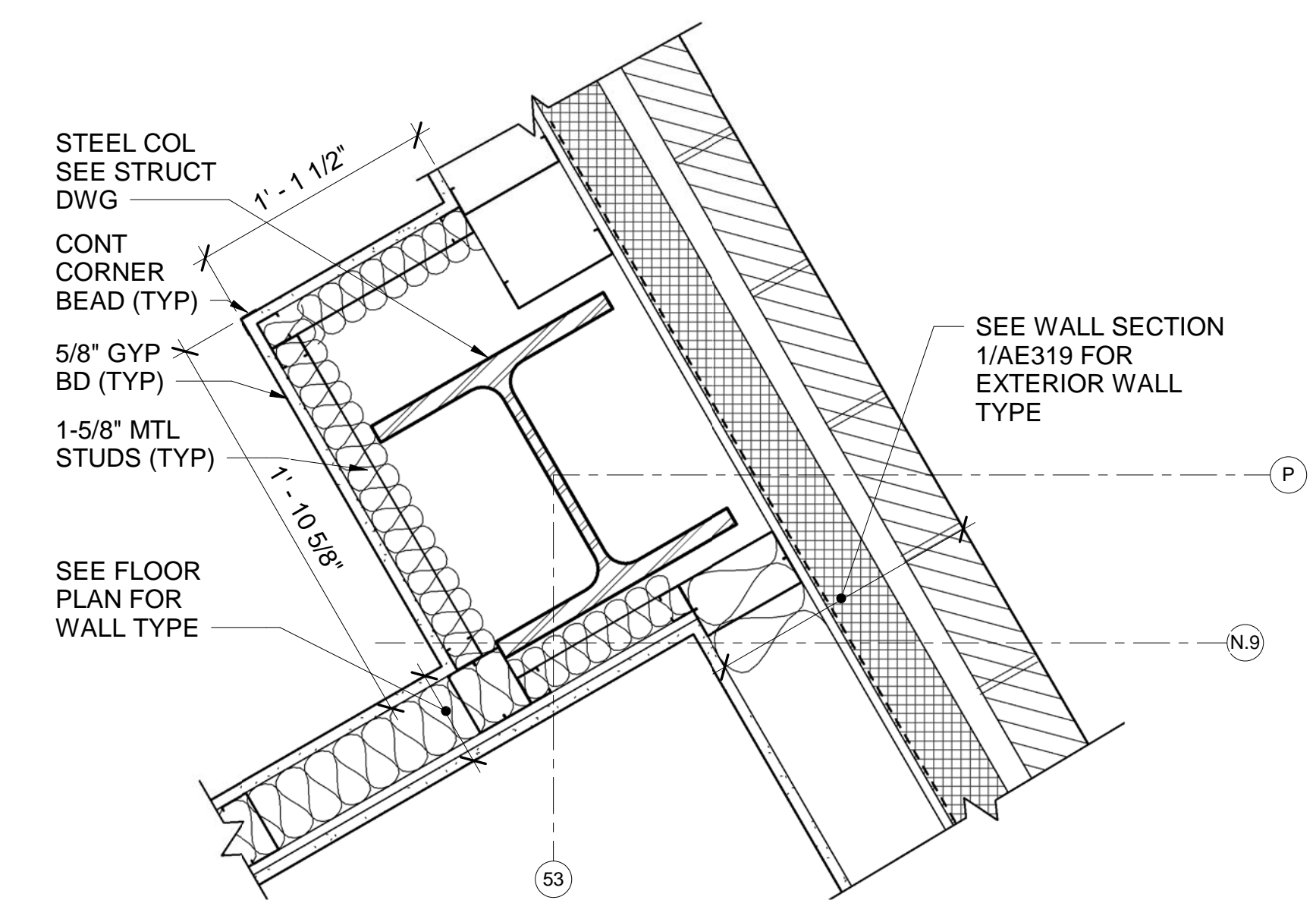
6 COLUMN QQ38 SECOND FLOOR WALL DETAIL

AE104 AE544 SCALE: 1 1/2" = 1'-0"



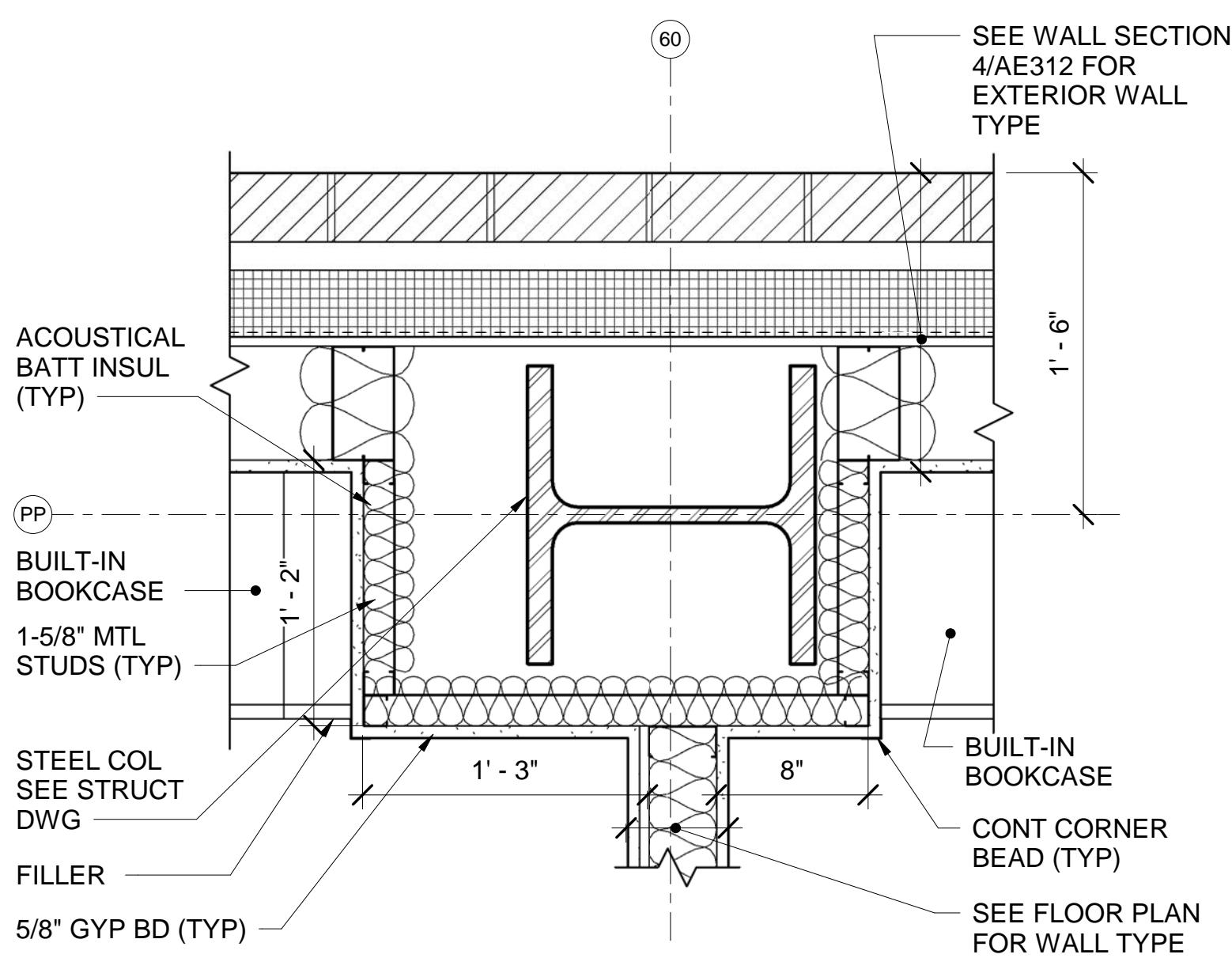
7 COLUMN KK.1 49 SECOND FLOOR WALL DETAIL

AE104 AE544 SCALE: 1 1/2" = 1'-0"



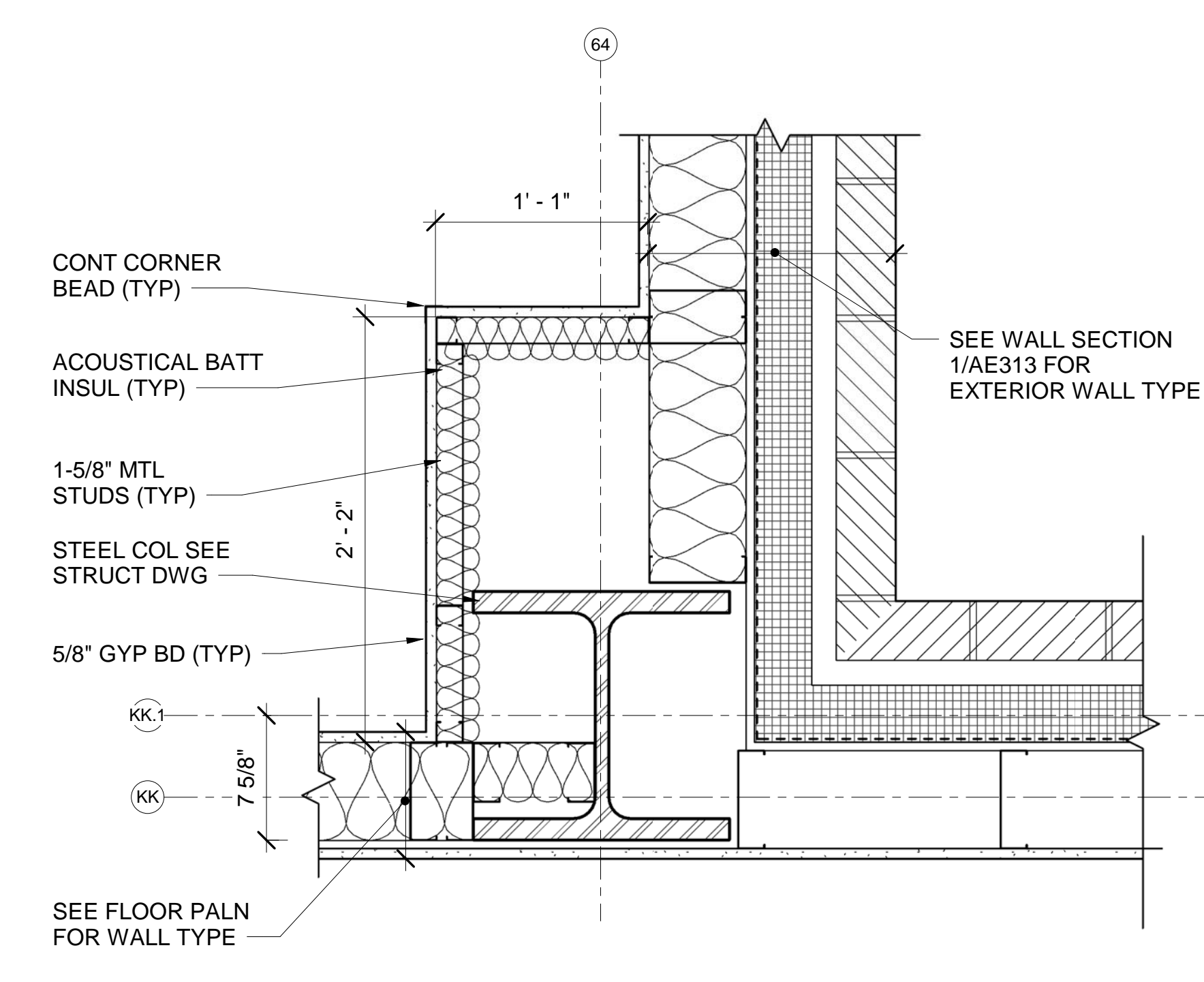
8 COLUMN P53 WALL DETAIL

AE101 AE544 SCALE: 1 1/2" = 1'-0"



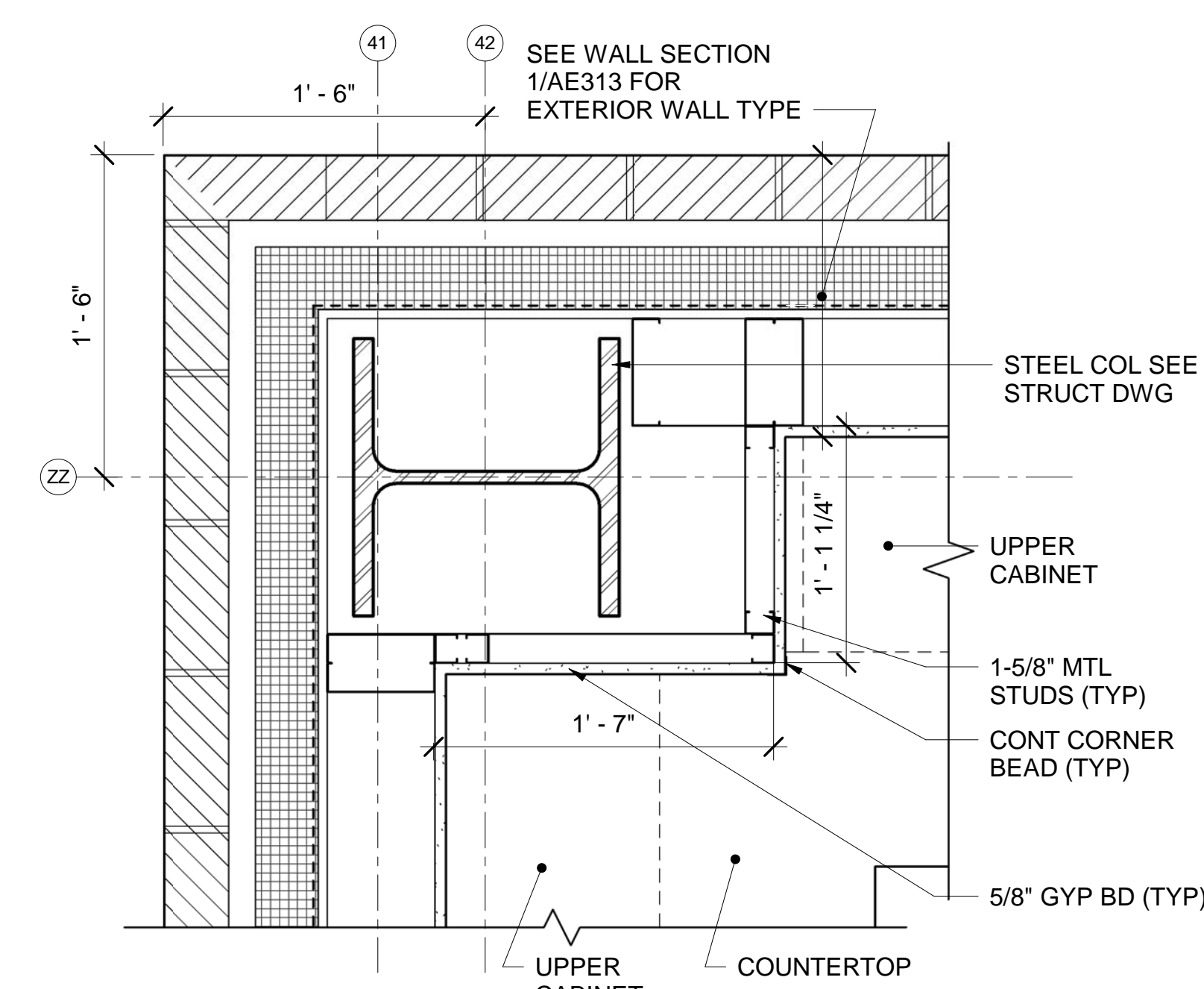
9 COLUMN PP60 WALL DETAIL

AE102 AE544 SCALE: 1 1/2" = 1'-0"



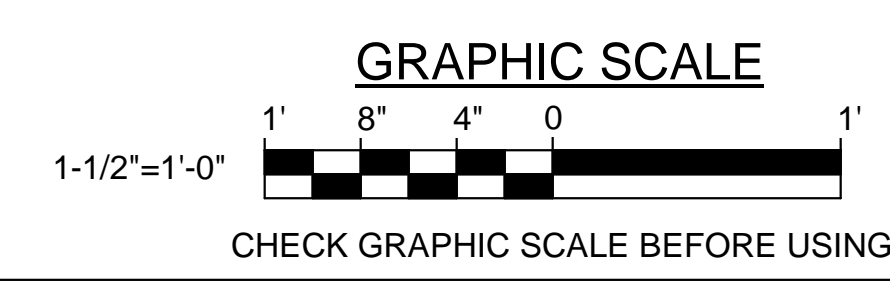
10 COLUMN KK.1 64 WALL DETAIL

AE102 AE544 SCALE: 1 1/2" = 1'-0"



11 COLUMN ZZ42 WALL DETAIL

AE103 AE544 SCALE: 1 1/2" = 1'-0"



		STATE OF MAINE PUBLIC SCHOOL PROJECT TITLE: PORTLAND PUBLIC SCHOOLS NEW FRED P. HALL ELEMENTARY SCHOOL LOCATION: 23 ORONO ROAD, PORTLAND, ME TITLE THIS DWG: PLAN WALL DETAILS 5	
DRAWN BY: DEM CHECK BY: TGB	OAK POINT ASSOCIATES AE544 SHEET NO:	NO. DATE DESCRIPTION REVISIONS	BY NO. DATE 03/17/17