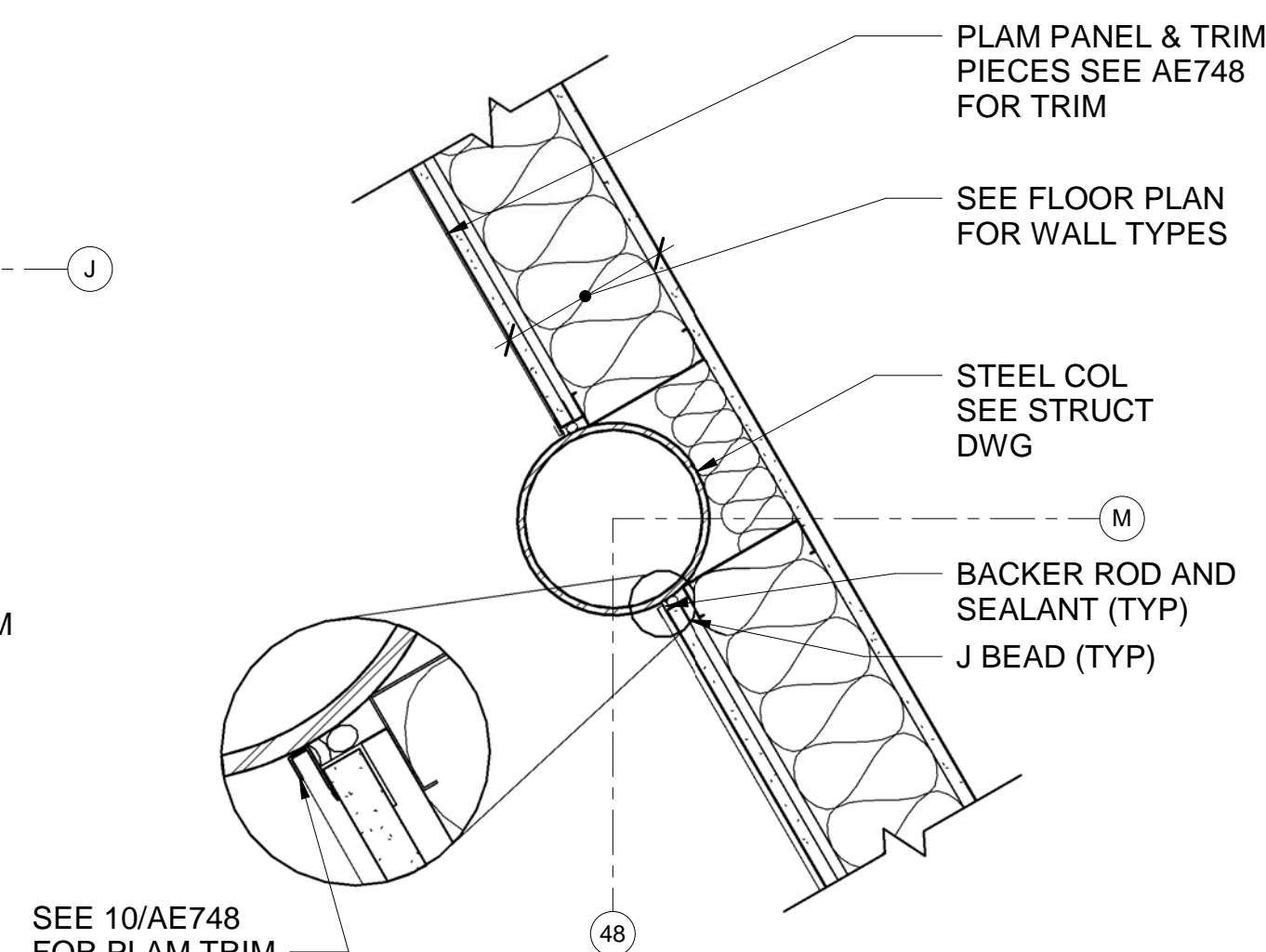
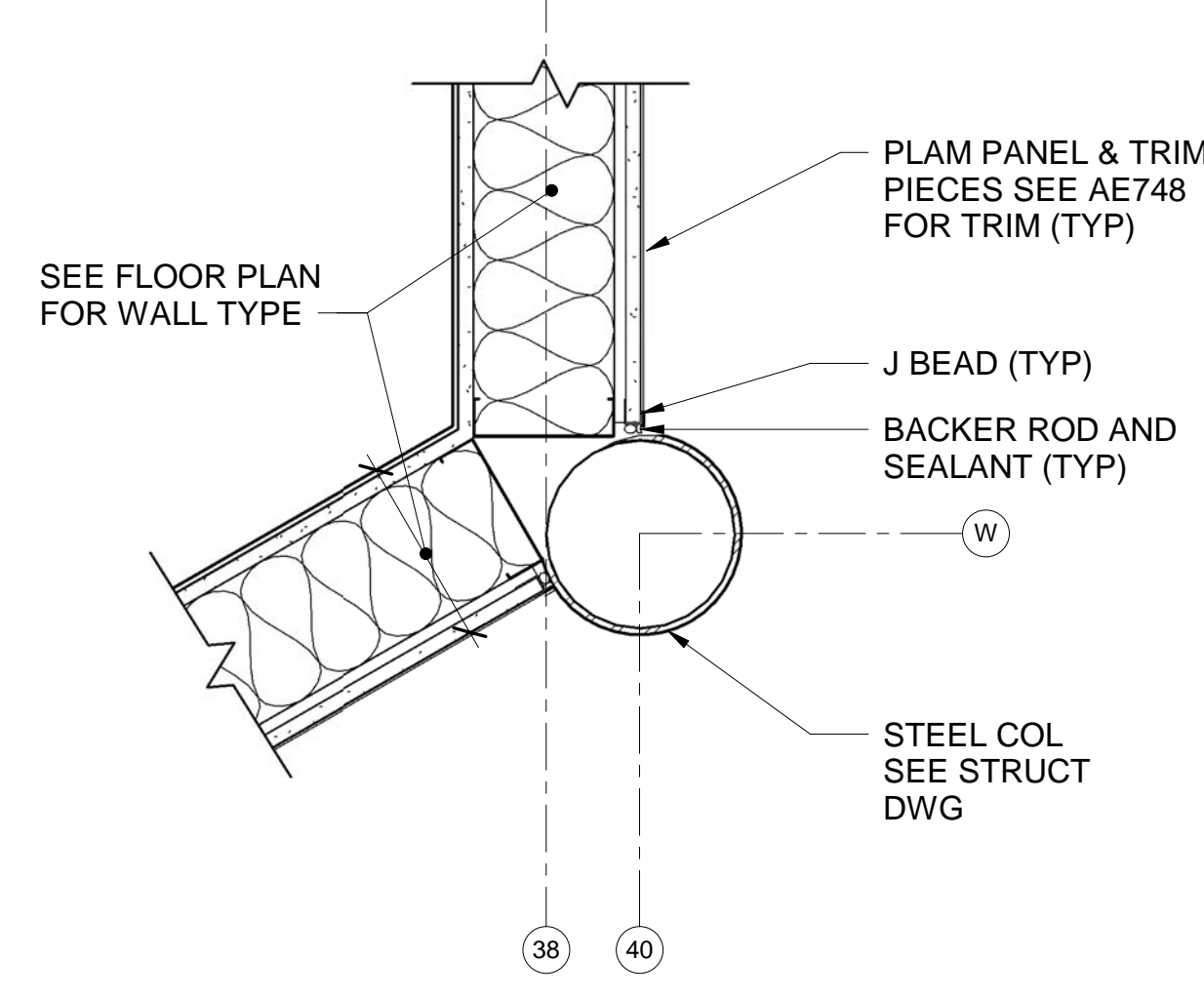


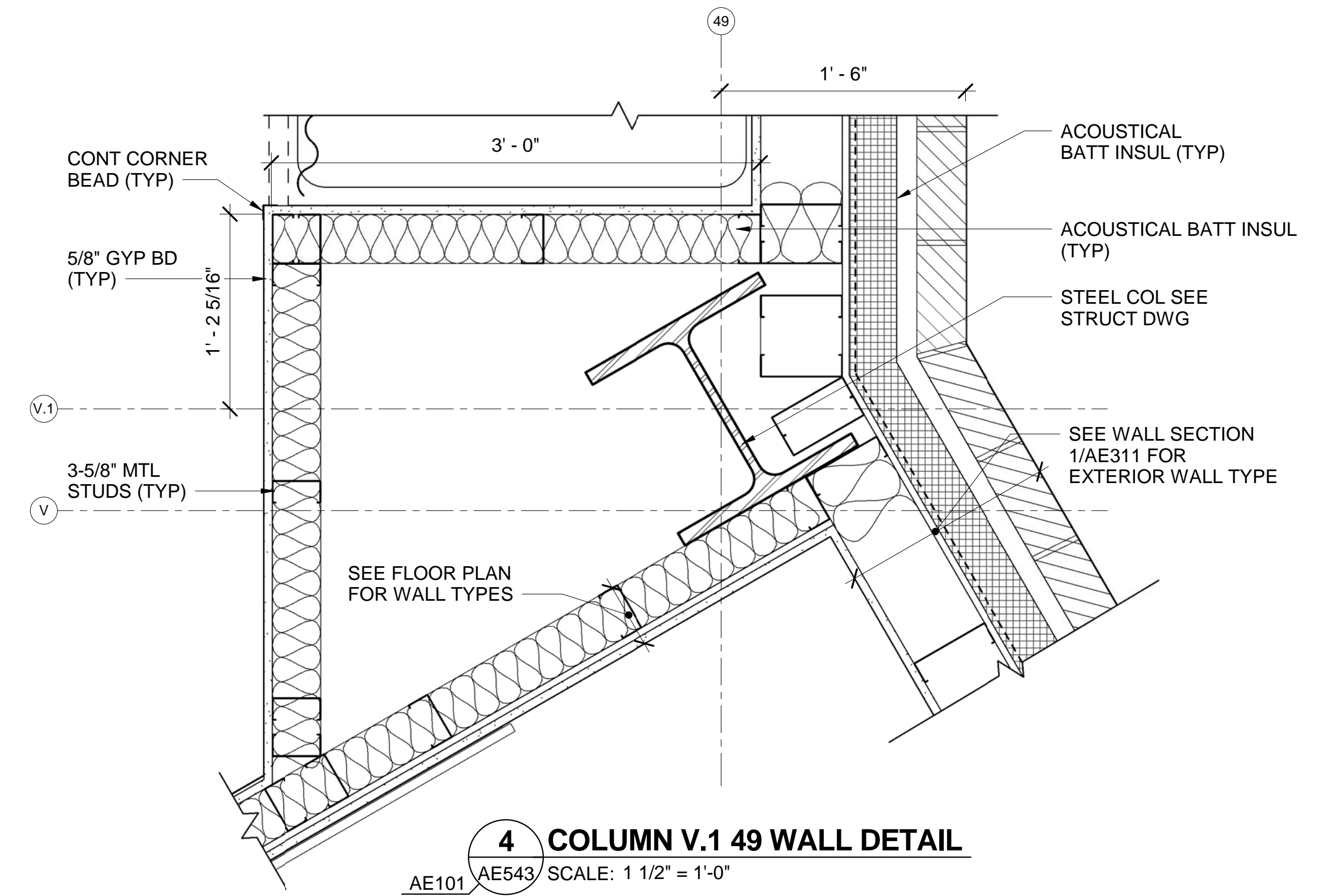
1 COLUMN K43 WALL DETAIL
 AE101/AE543 SCALE: 1 1/2" = 1'-0"



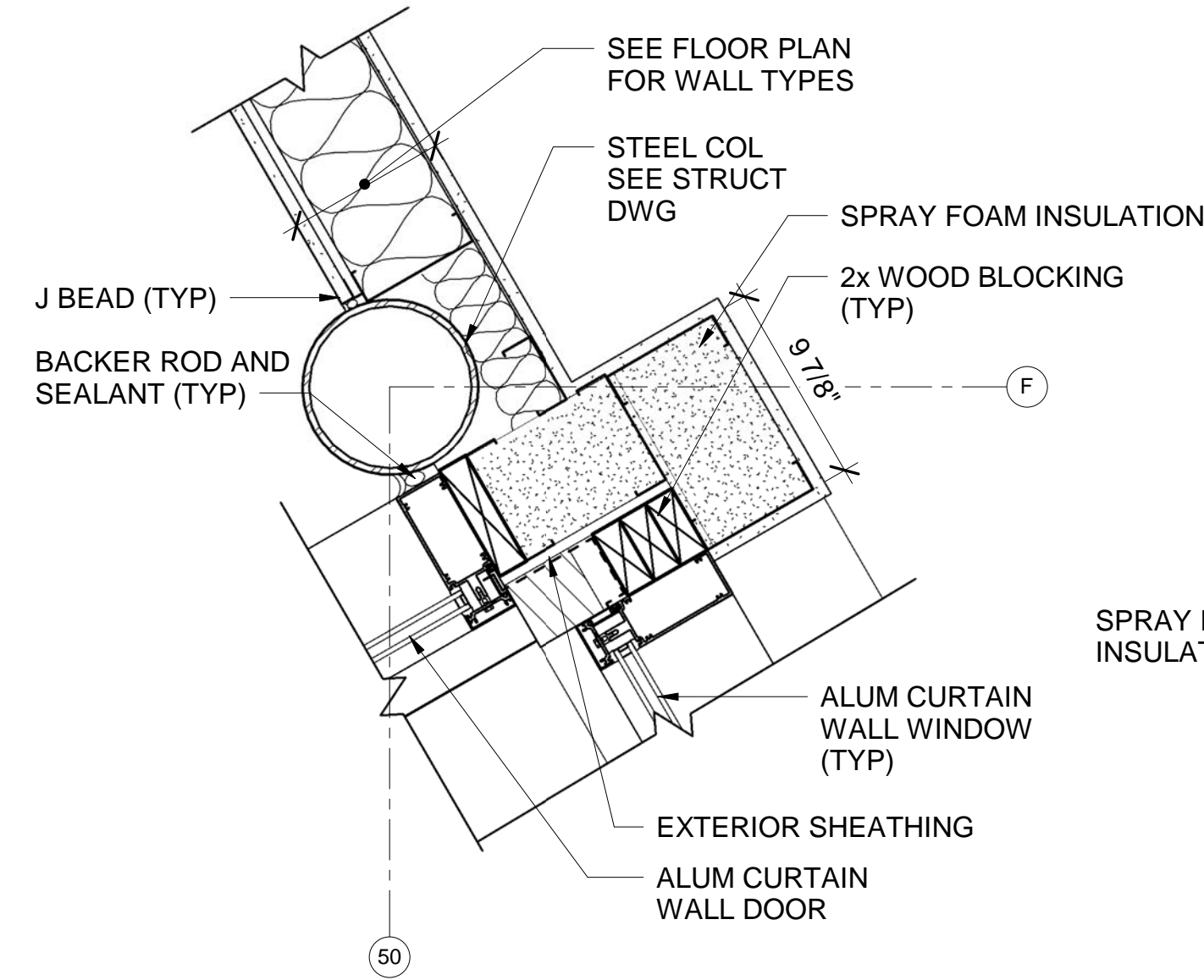
2 COLUMN M48 WALL DETAIL
 AE101/AE543 SCALE: 1 1/2" = 1'-0"



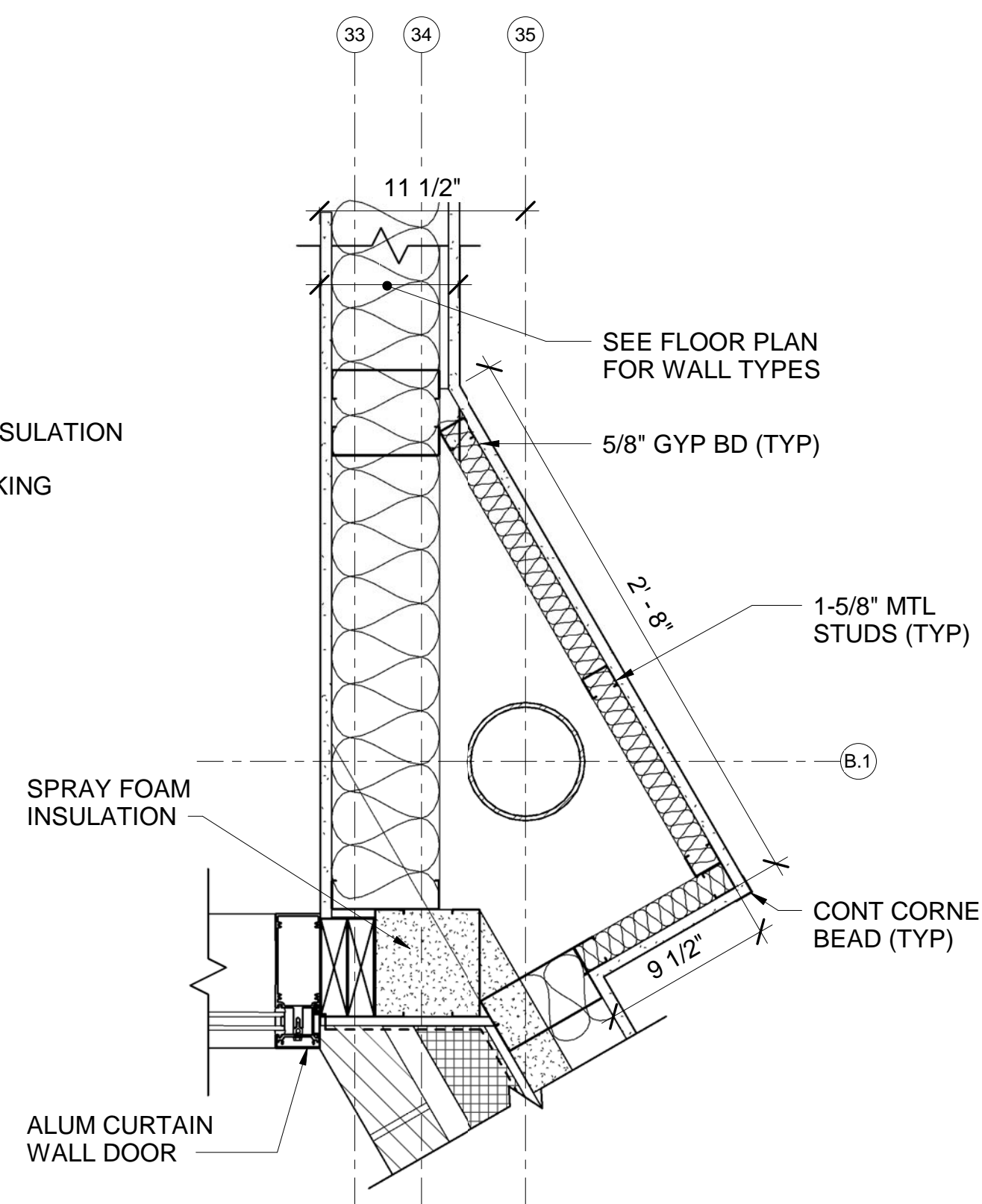
3 COLUMN W40 WALL DETAIL
 AE101/AE543 SCALE: 1 1/2" = 1'-0"



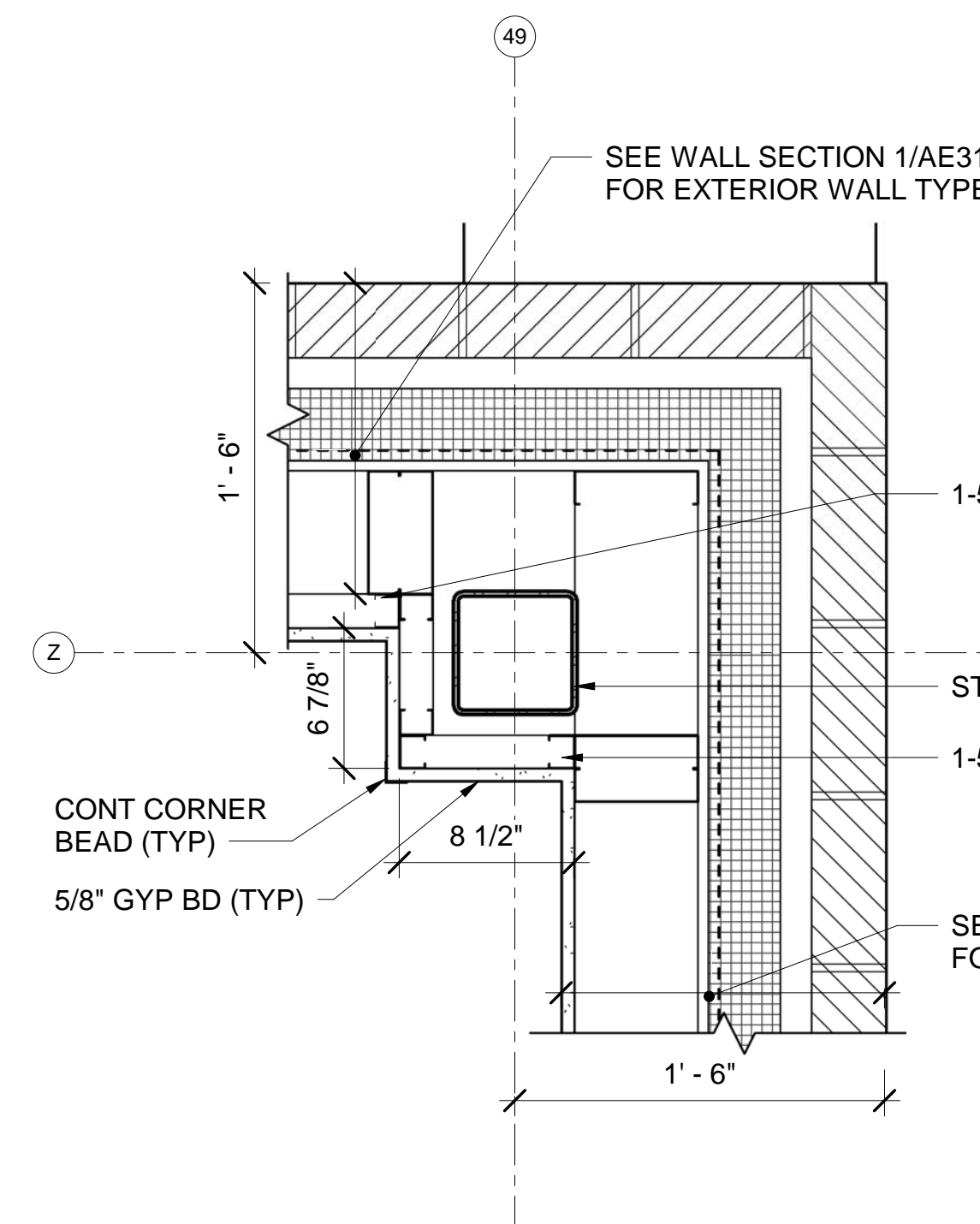
4 COLUMN V.1 49 WALL DETAIL
 AE101/AE543 SCALE: 1 1/2" = 1'-0"



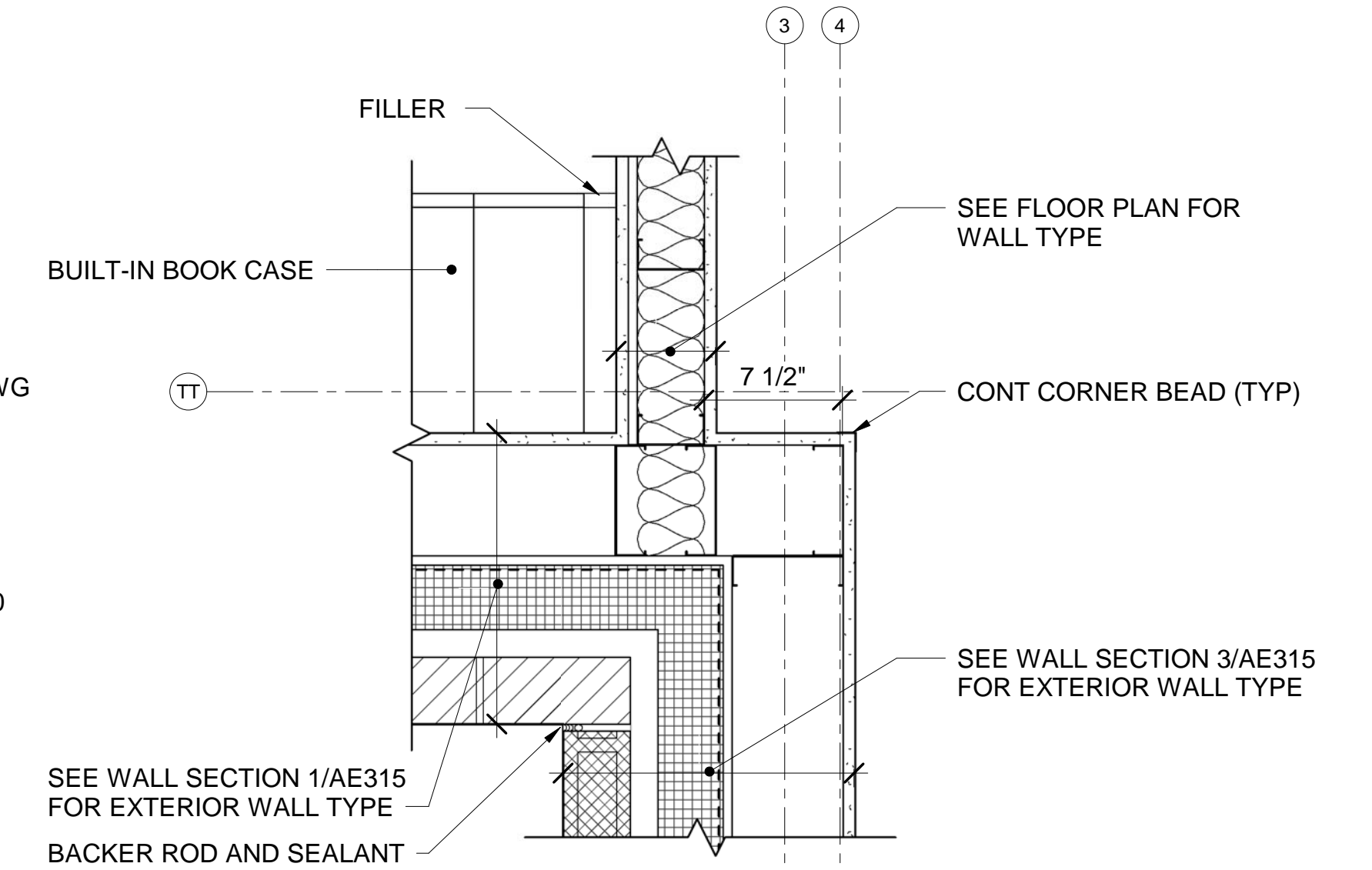
5 COLUMN F50 WALL DETAIL
 AE101/AE543 SCALE: 1 1/2" = 1'-0"



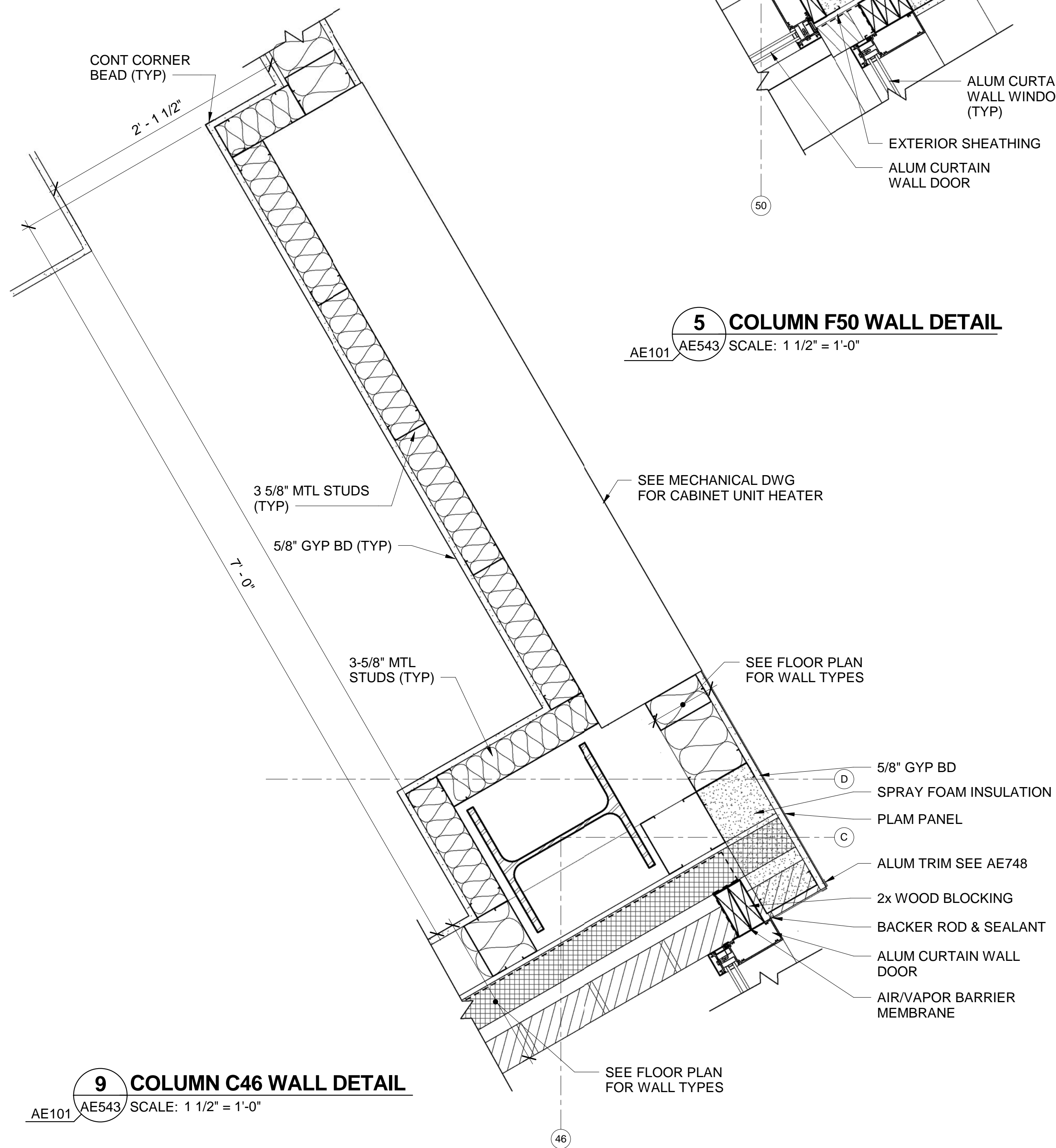
6 COLUMN B.1 35 WALL DETAIL
 AE101/AE543 SCALE: 1 1/2" = 1'-0"



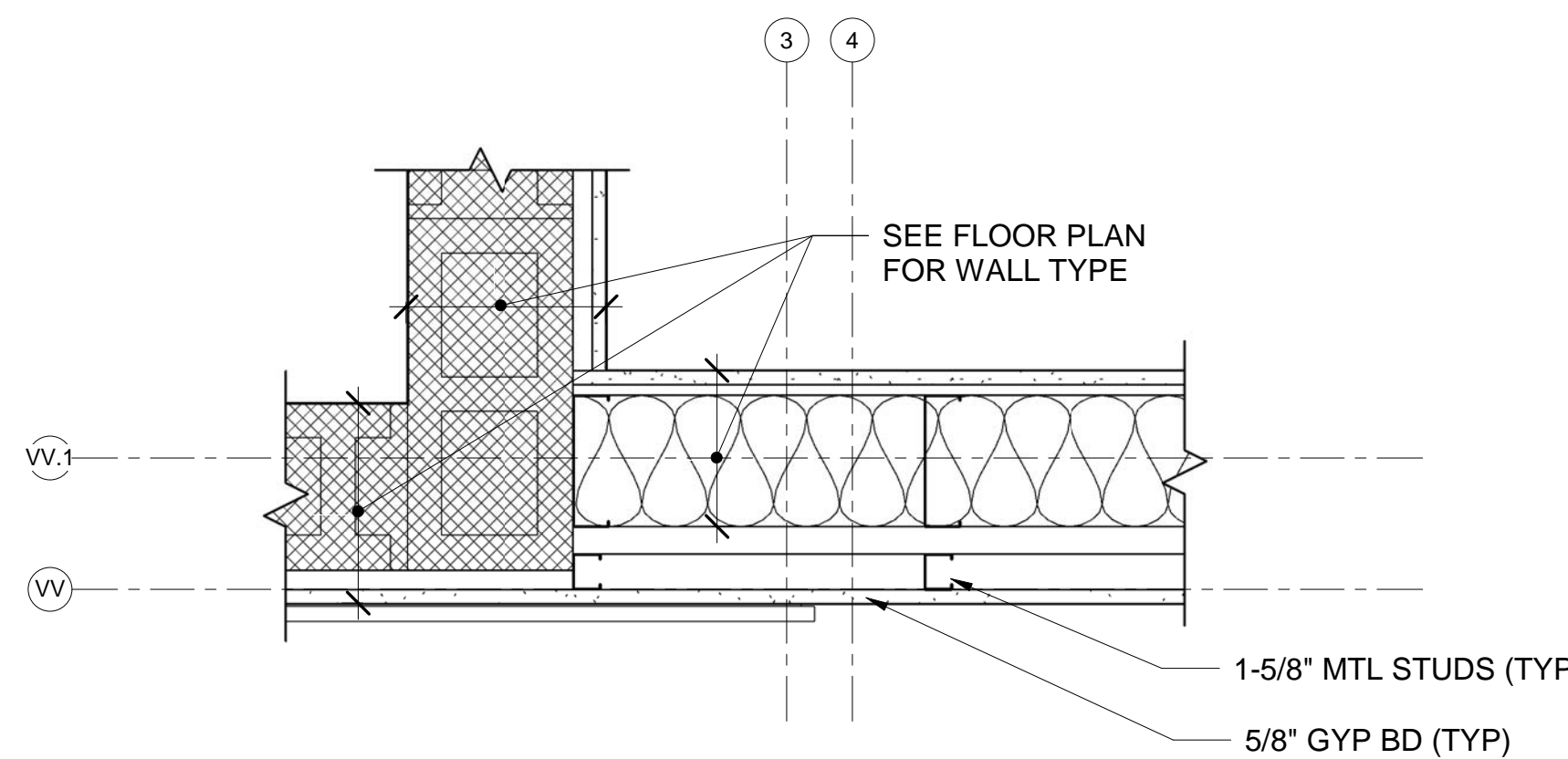
7 COLUMN Z49 WALL DETAIL
 AE101/AE543 SCALE: 1 1/2" = 1'-0"



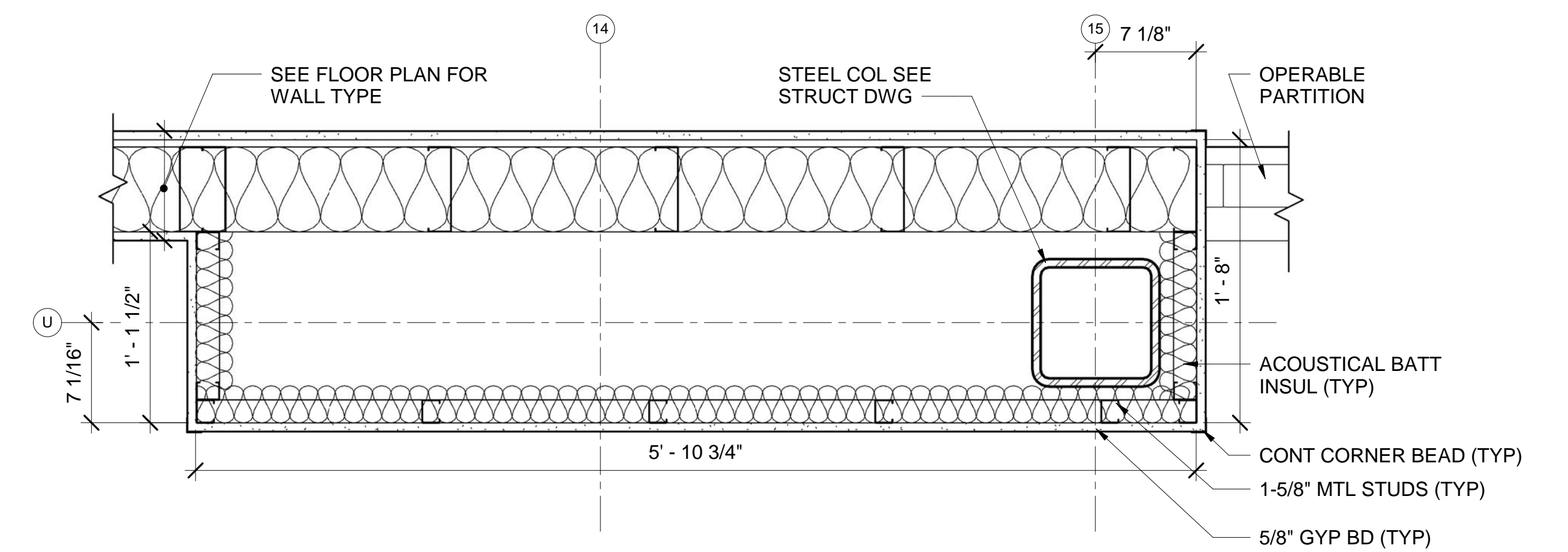
8 WALL DETAIL SMALL GROUP C15
 AE103/AE543 SCALE: 1 1/2" = 1'-0"



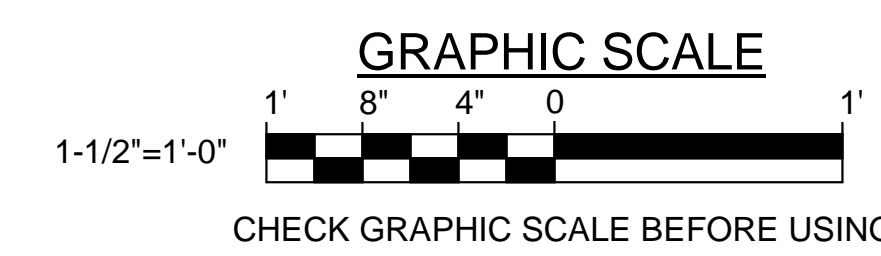
9 COLUMN C46 WALL DETAIL
 AE101/AE543 SCALE: 1 1/2" = 1'-0"



10 WALL DETAIL 2ND GRADE C16
 AE103/AE543 SCALE: 1 1/2" = 1'-0"



11 COLUMN U15 WALL DETAIL
 AE101/AE543 SCALE: 1 1/2" = 1'-0"



		STATE OF MAINE PUBLIC SCHOOL PROJECT PORTLAND PUBLIC SCHOOLS NEW FRED P. HALL ELEMENTARY SCHOOL LOCATION: 23 ORONO ROAD, PORTLAND, ME TITLE THIS DWG: PLAN WALL DETAILS 4
DRAWN BY: JGB CHECK BY: TGB DATE: 03/17/17	NO. DATE DESCRIPTION BY NO. REVISIONS	OAK POINT ASSOCIATES AE543 231 Main Street, Biddeford, Maine 04005 207.283.9192