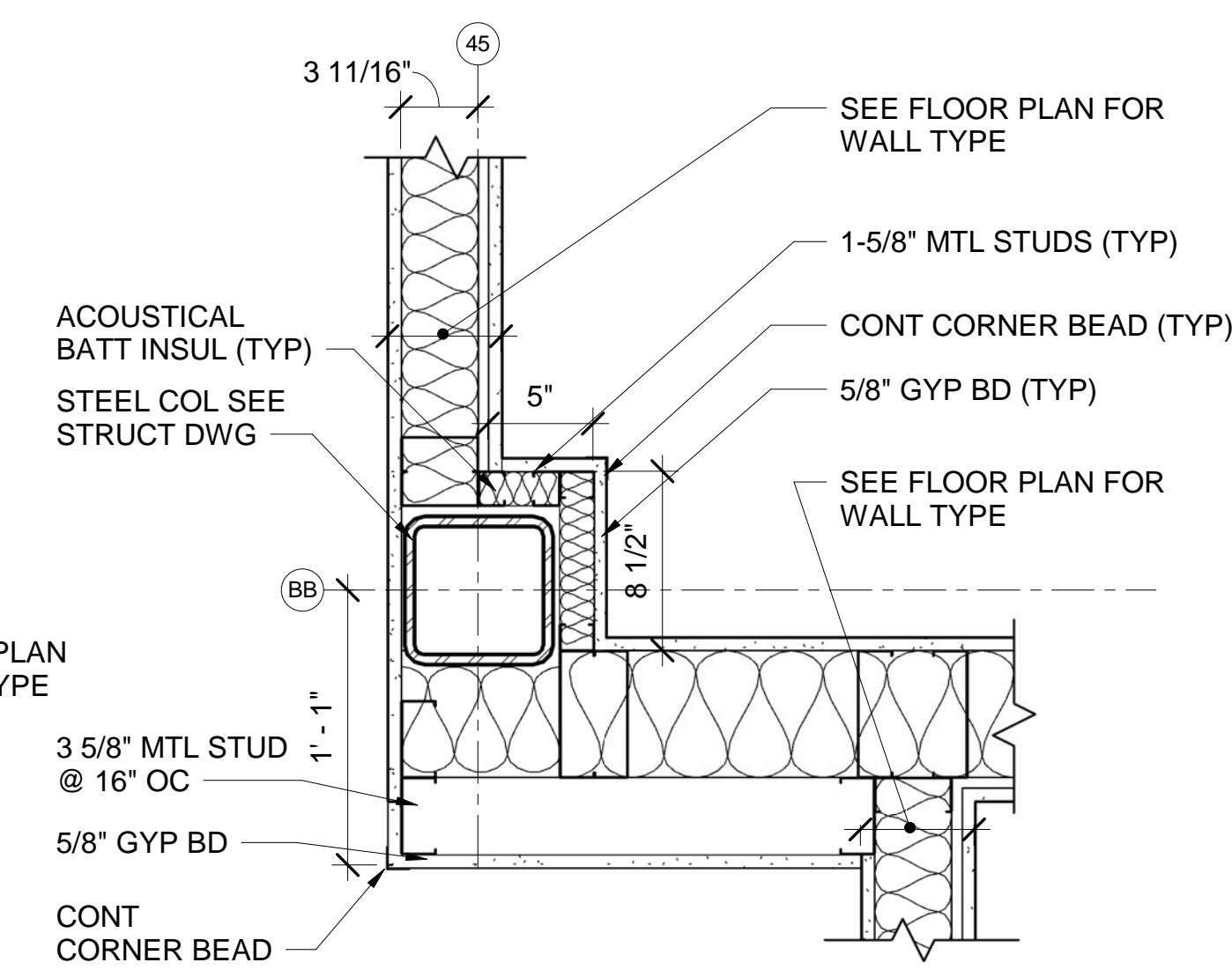


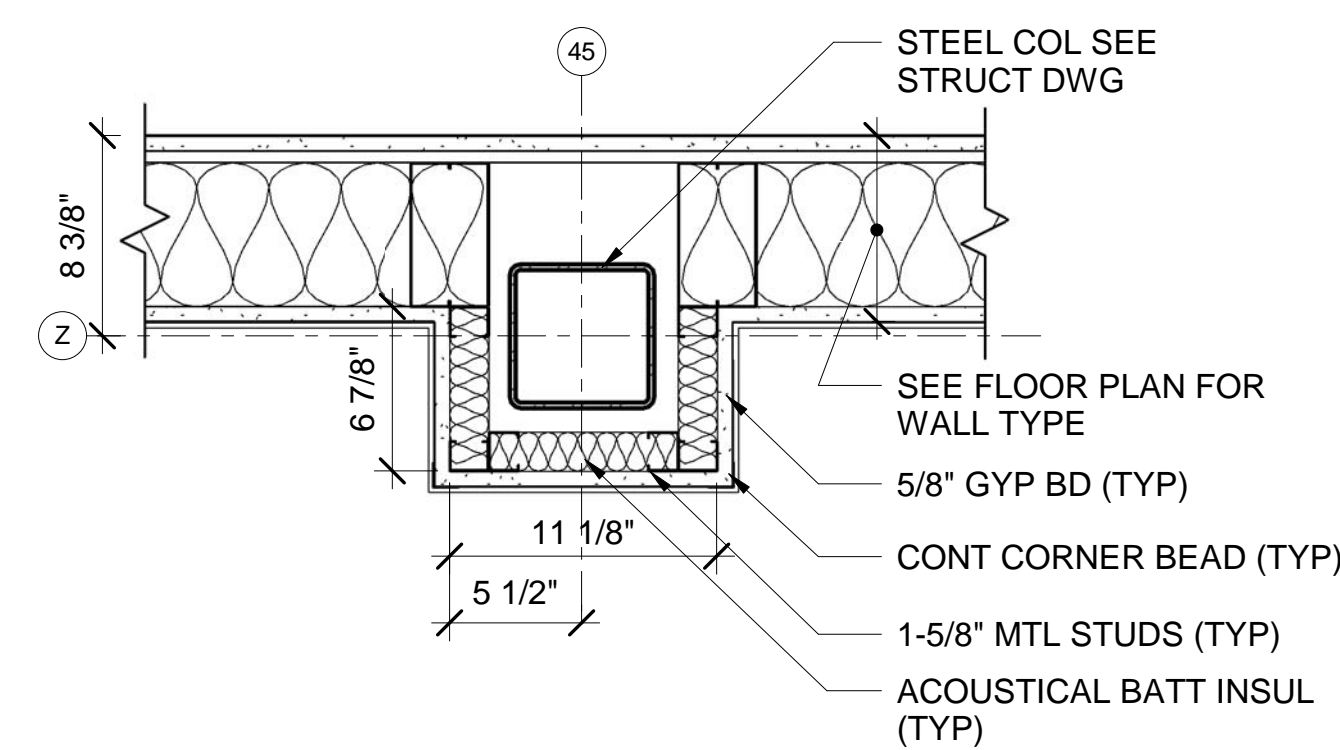
**1 COLUMN EE37 WALL DETAIL**

AE102 AE542 SCALE: 1 1/2" = 1'-0"



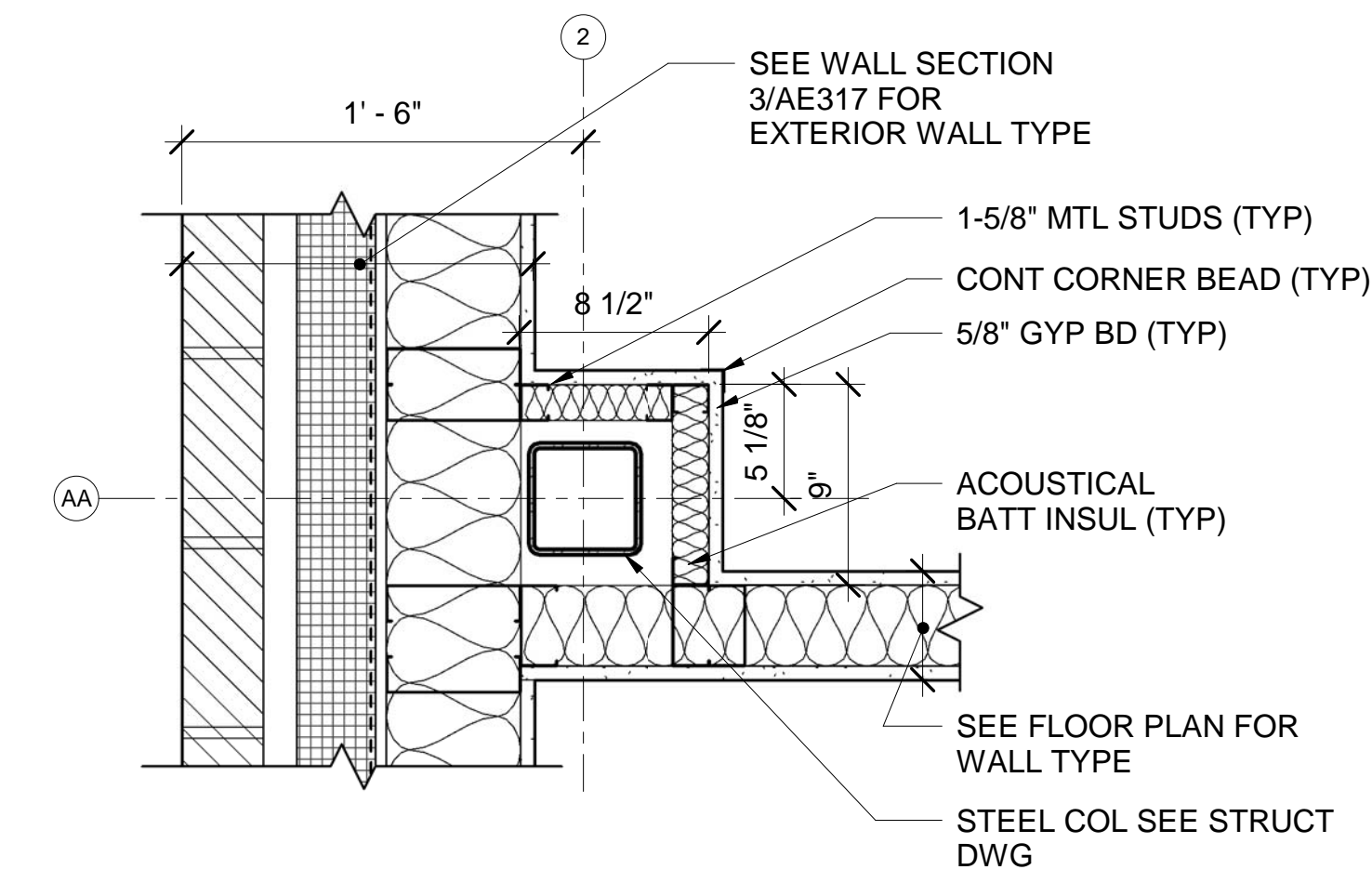
**2 COLUMN BB45 WALL DETAIL**

AE101 AE542 SCALE: 1 1/2" = 1'-0"



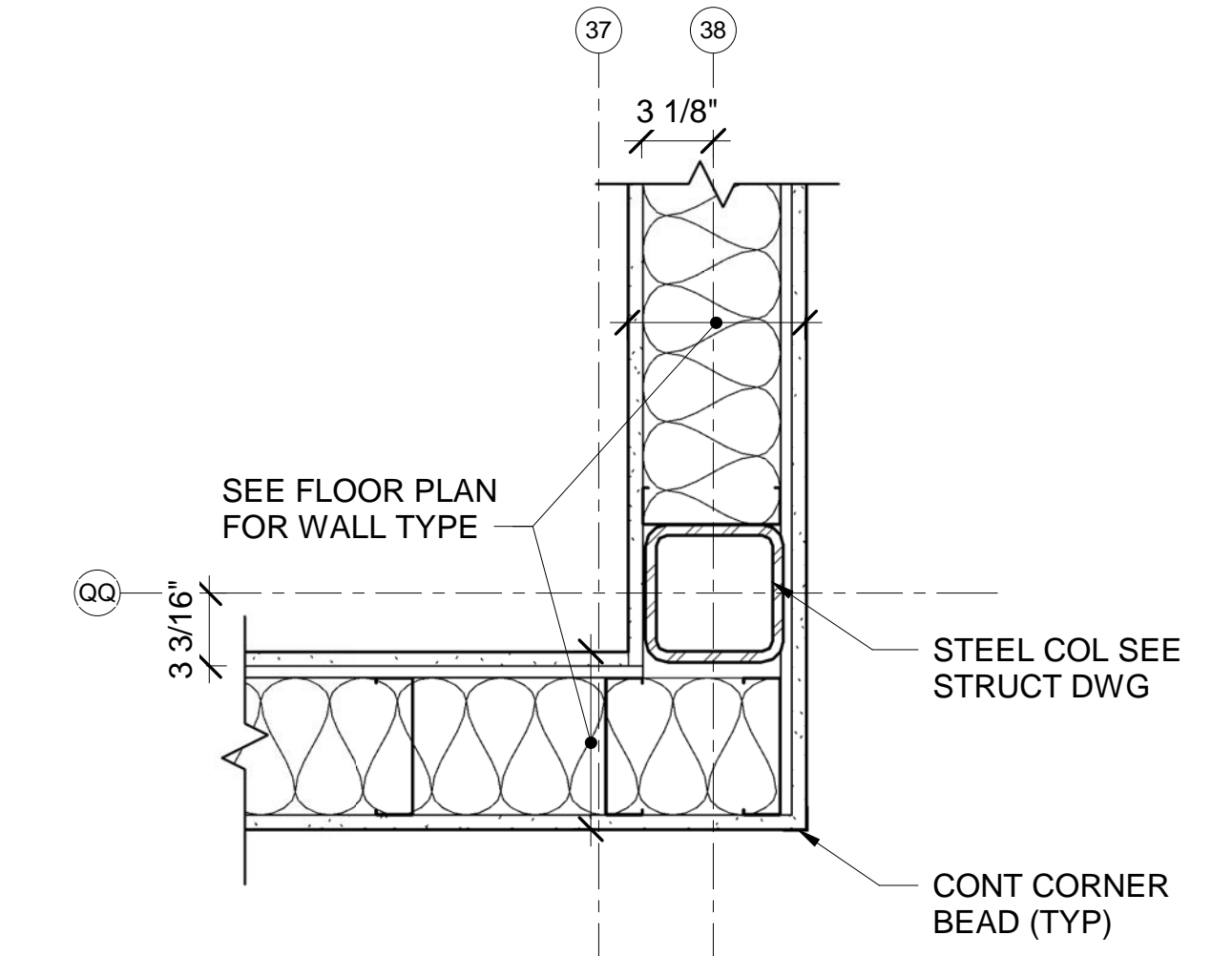
**3 COLUMN Z45 WALL DETAIL**

AE101 AE542 SCALE: 1 1/2" = 1'-0"



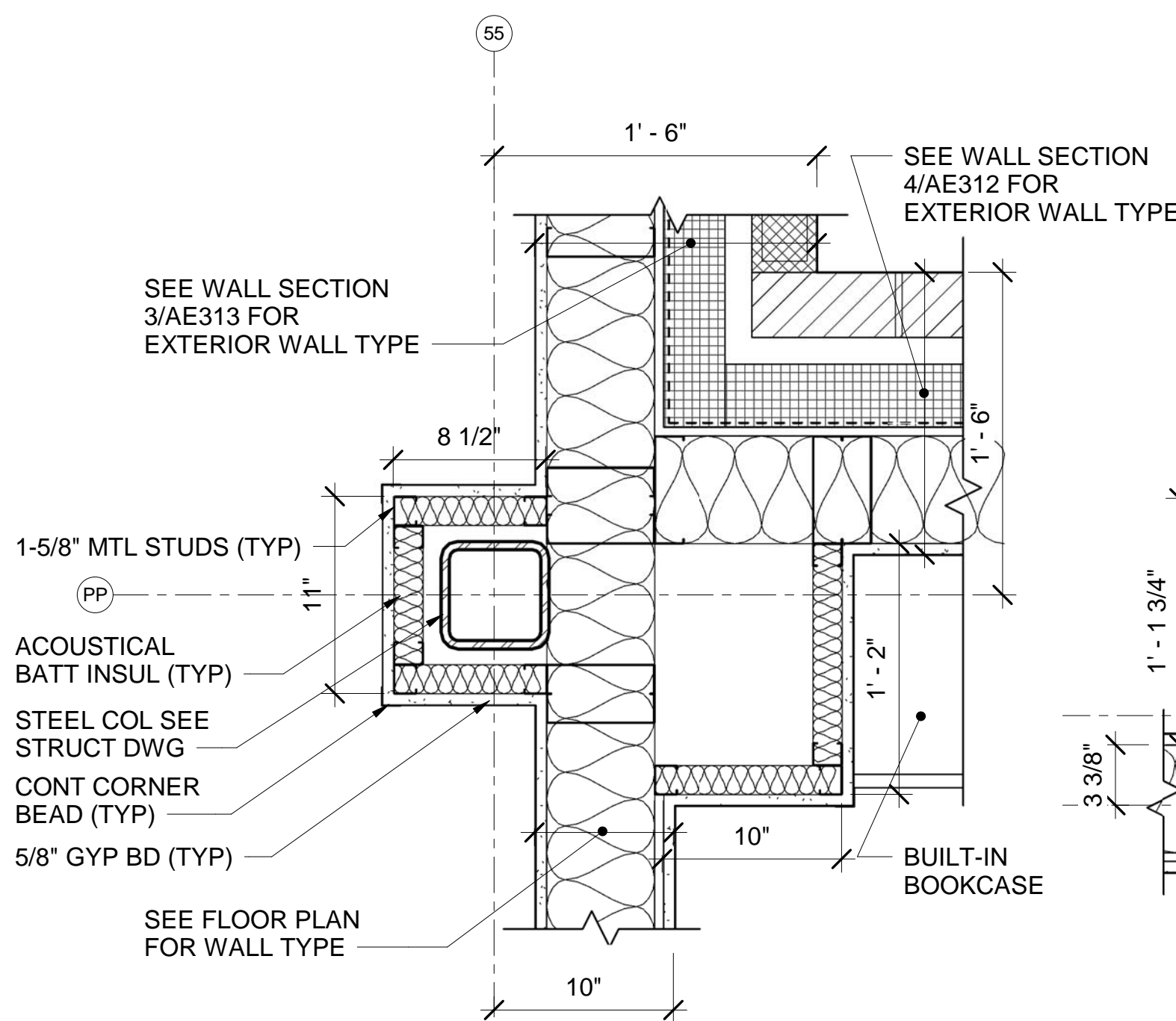
**4 COLUMN NEAR AA2 WALL DETAIL**

AE101 AE542 SCALE: 1 1/2" = 1'-0"



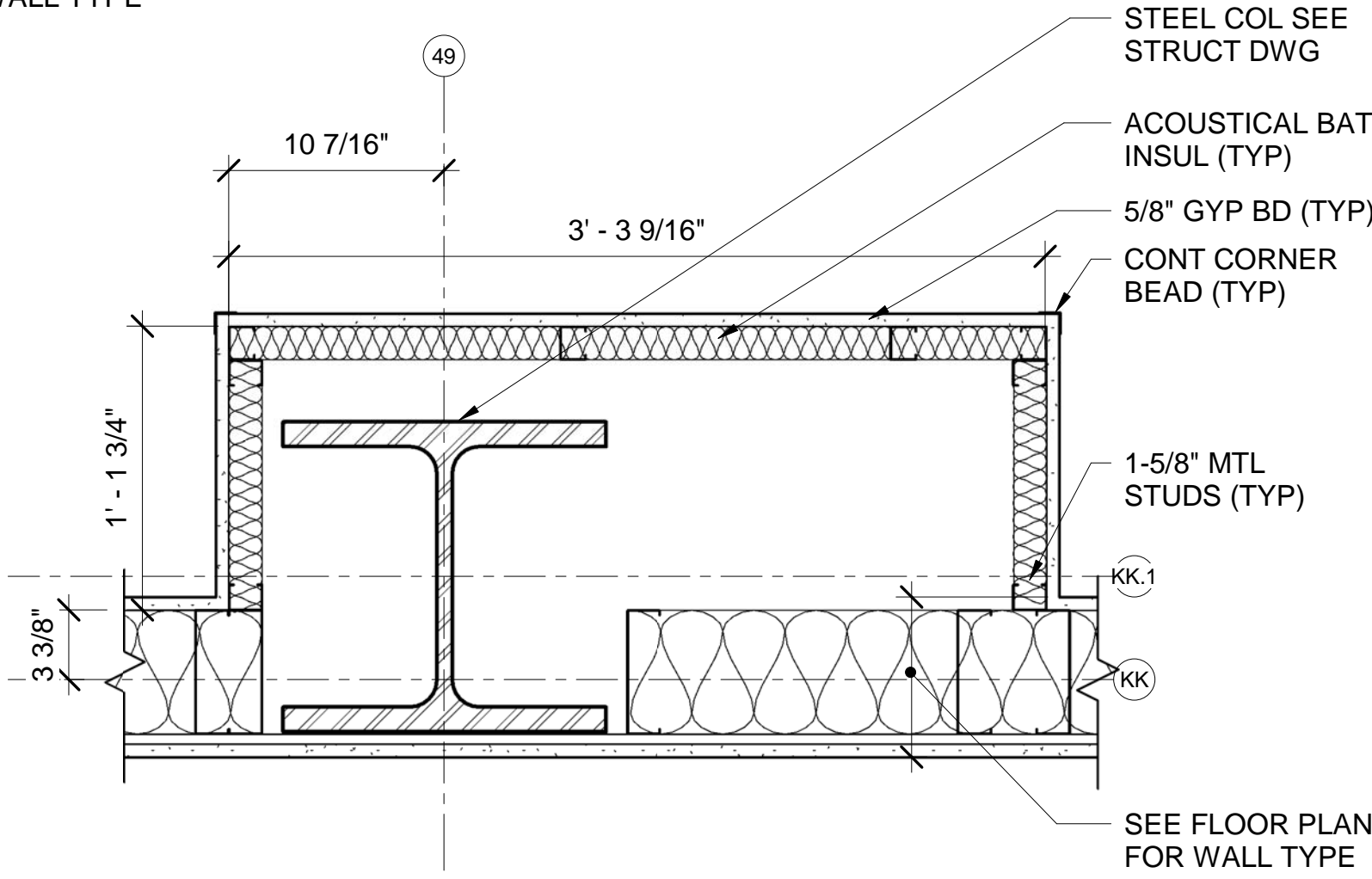
**5 COLUMN QQ38 WALL DETAIL**

AE102 AE542 SCALE: 1 1/2" = 1'-0"



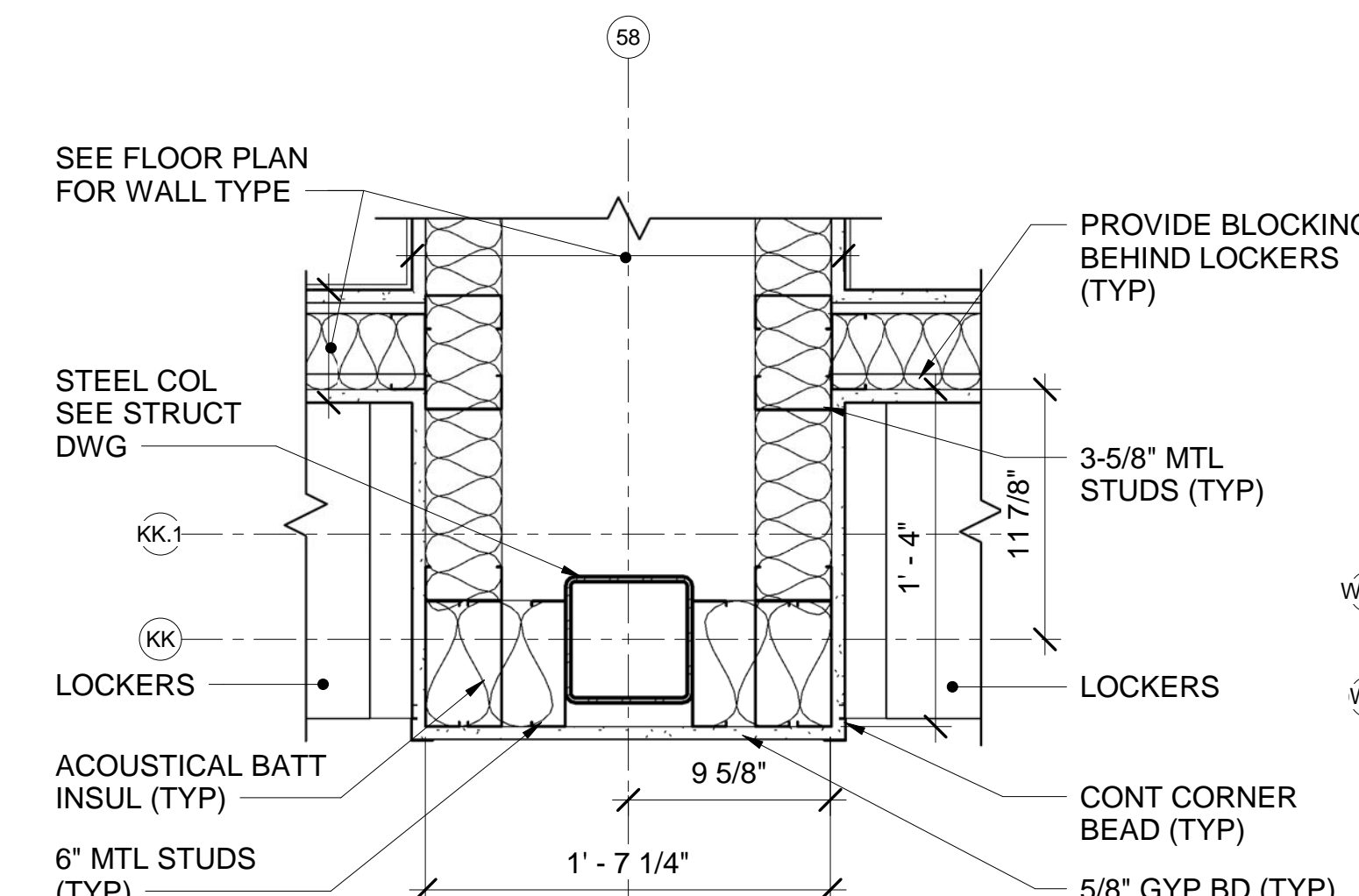
**6 COLUMN PP55 WALL DETAIL**

AE102 AE542 SCALE: 1 1/2" = 1'-0"



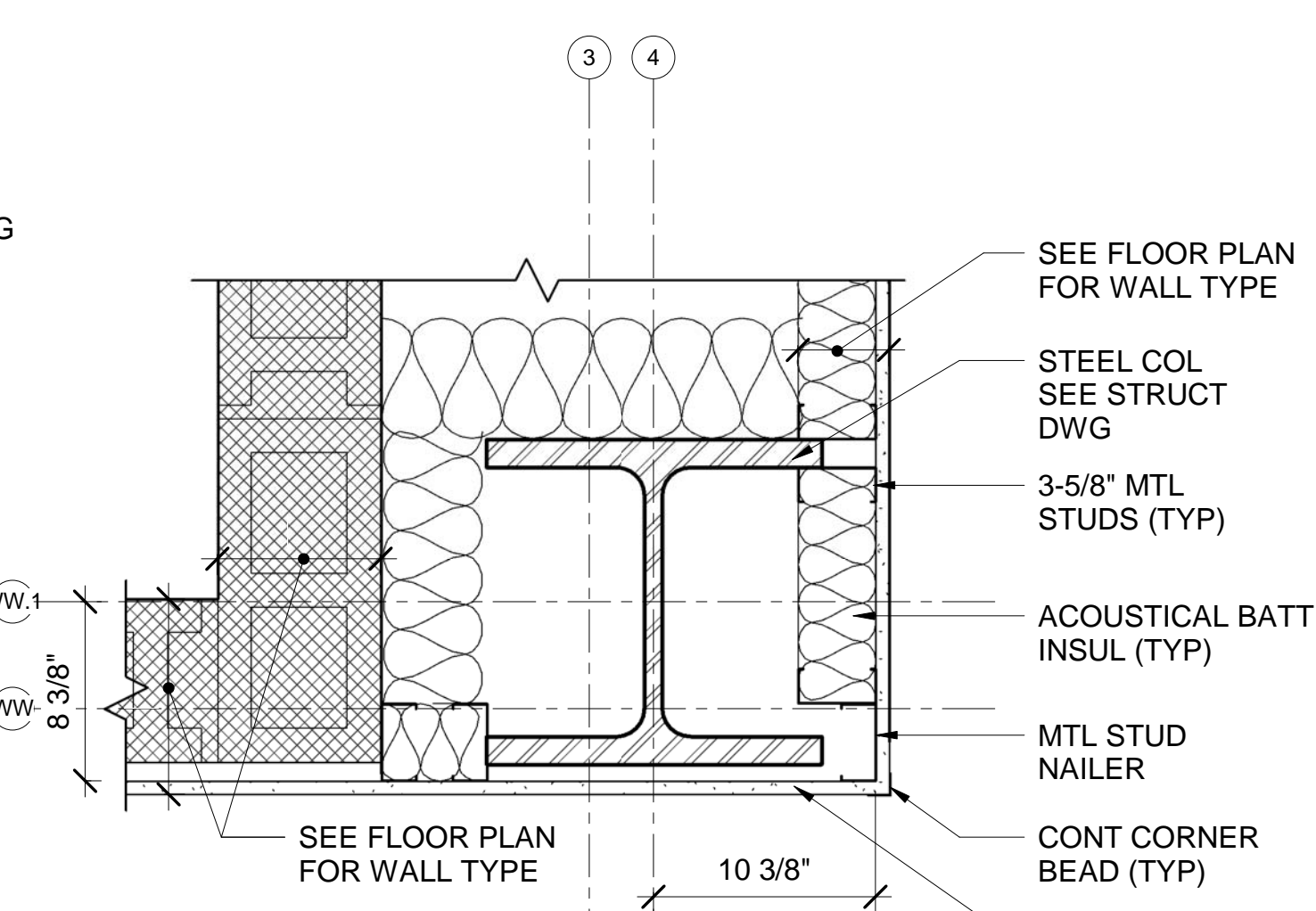
**7 COLUMN KK.1 49 WALL DETAIL**

AE102 AE542 SCALE: 1 1/2" = 1'-0"



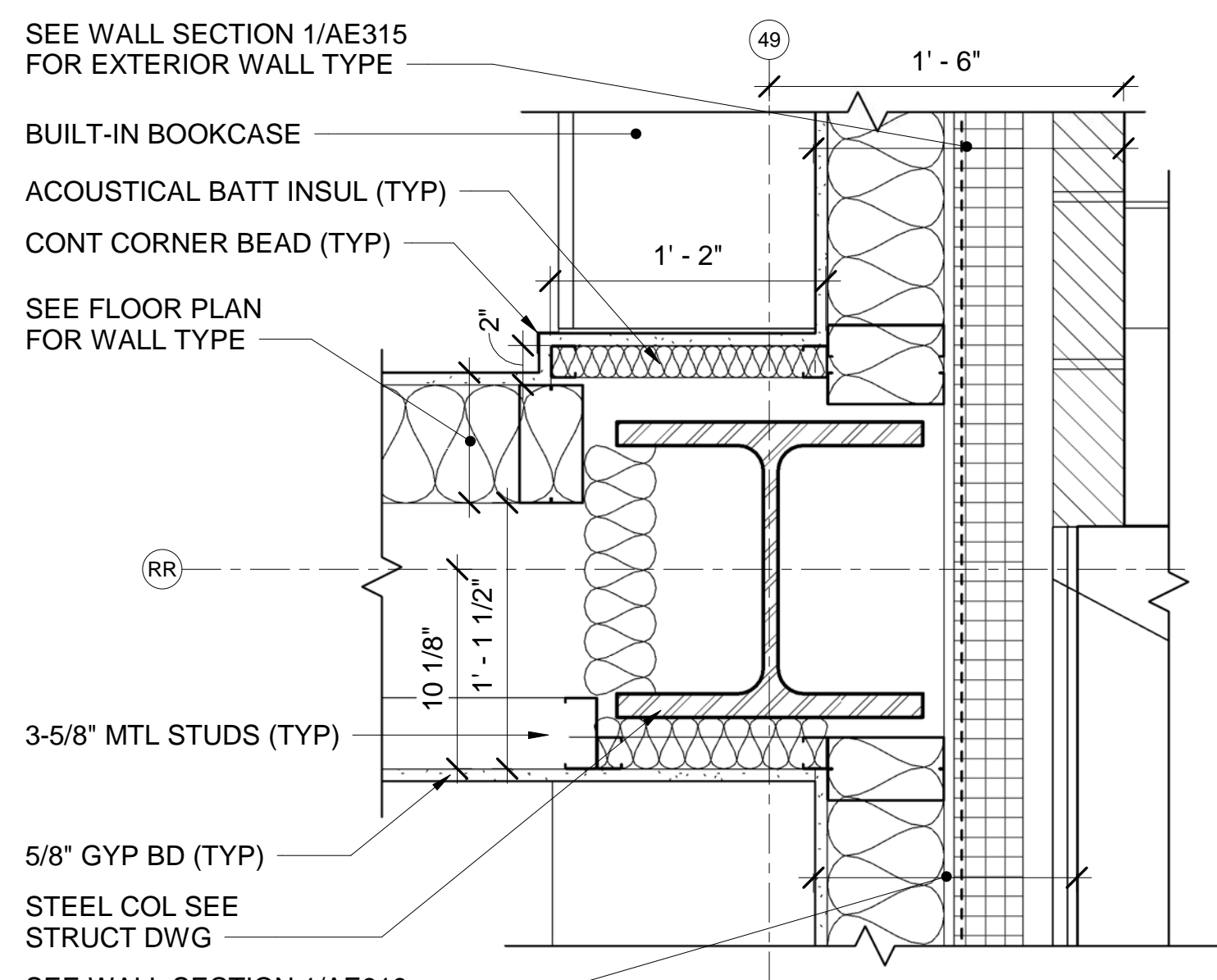
**8 COLUMN KK58 WALL DETAIL**

AE102 AE542 SCALE: 1 1/2" = 1'-0"



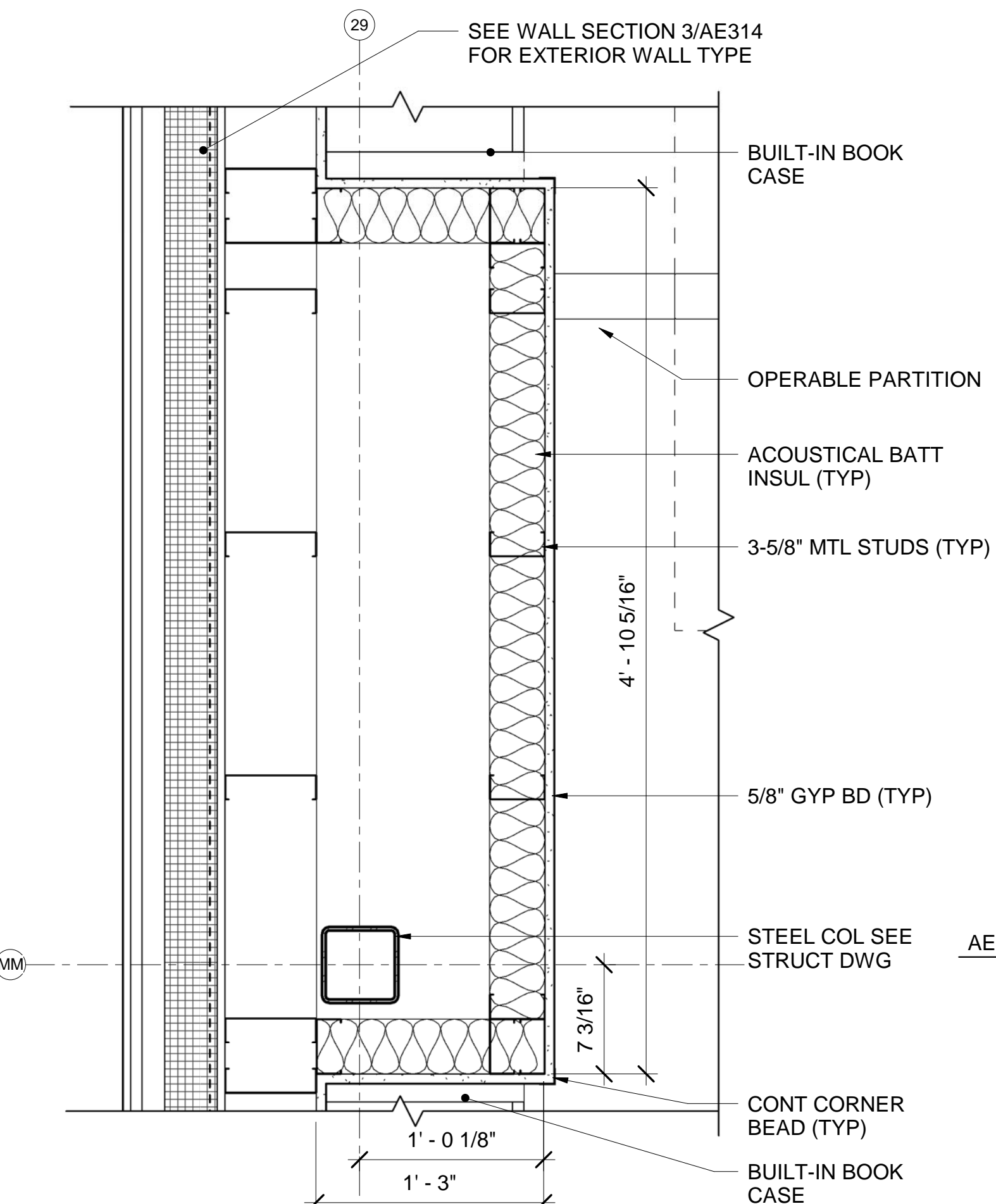
**9 COLUMN WW.1 4 SECOND FLOOR WALL DETAIL**

AE104 AE542 SCALE: 1 1/2" = 1'-0"



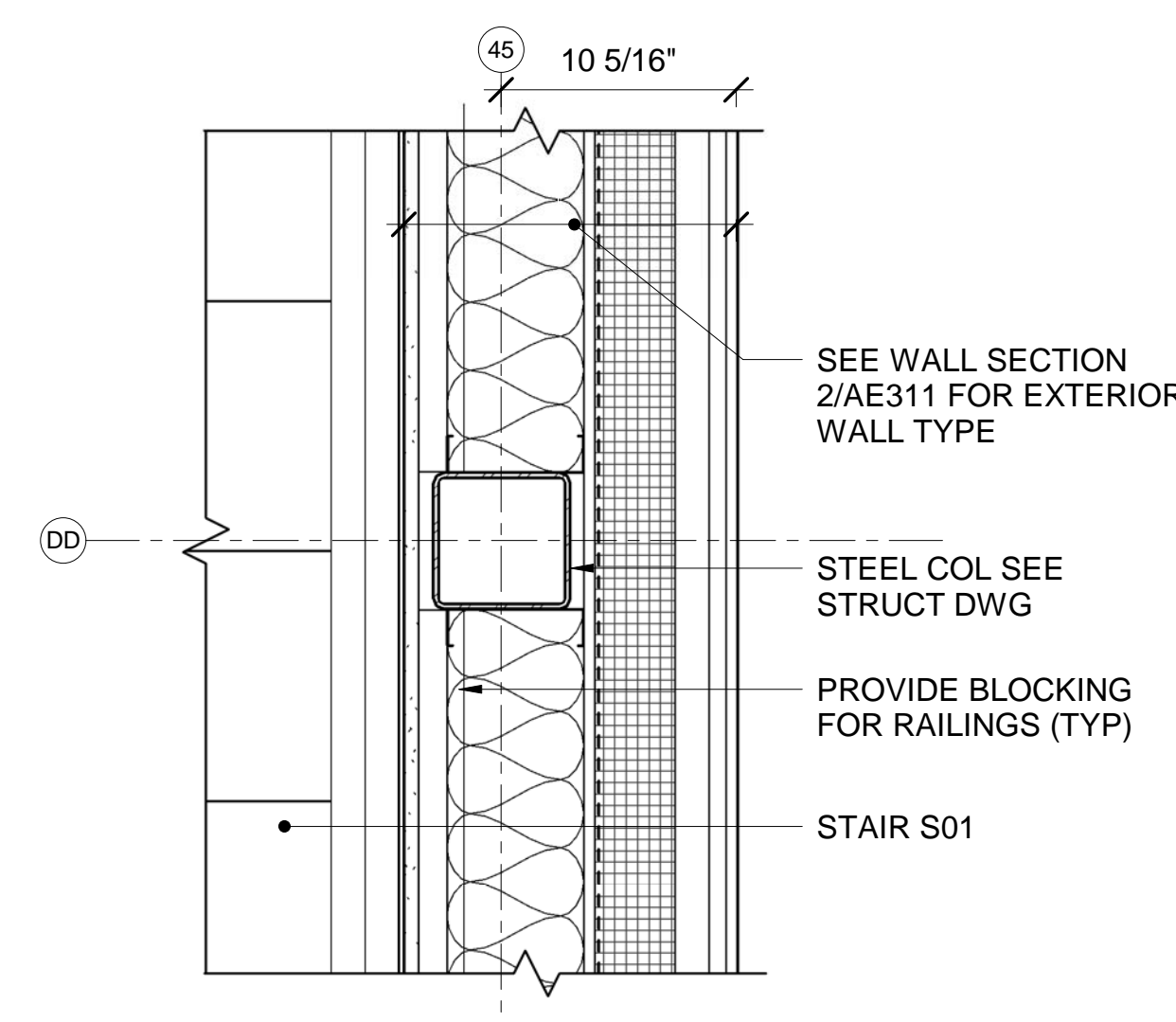
**10 COLUMN RR49 SECOND FLOOR WALL DETAIL**

AE104 AE542 SCALE: 1 1/2" = 1'-0"



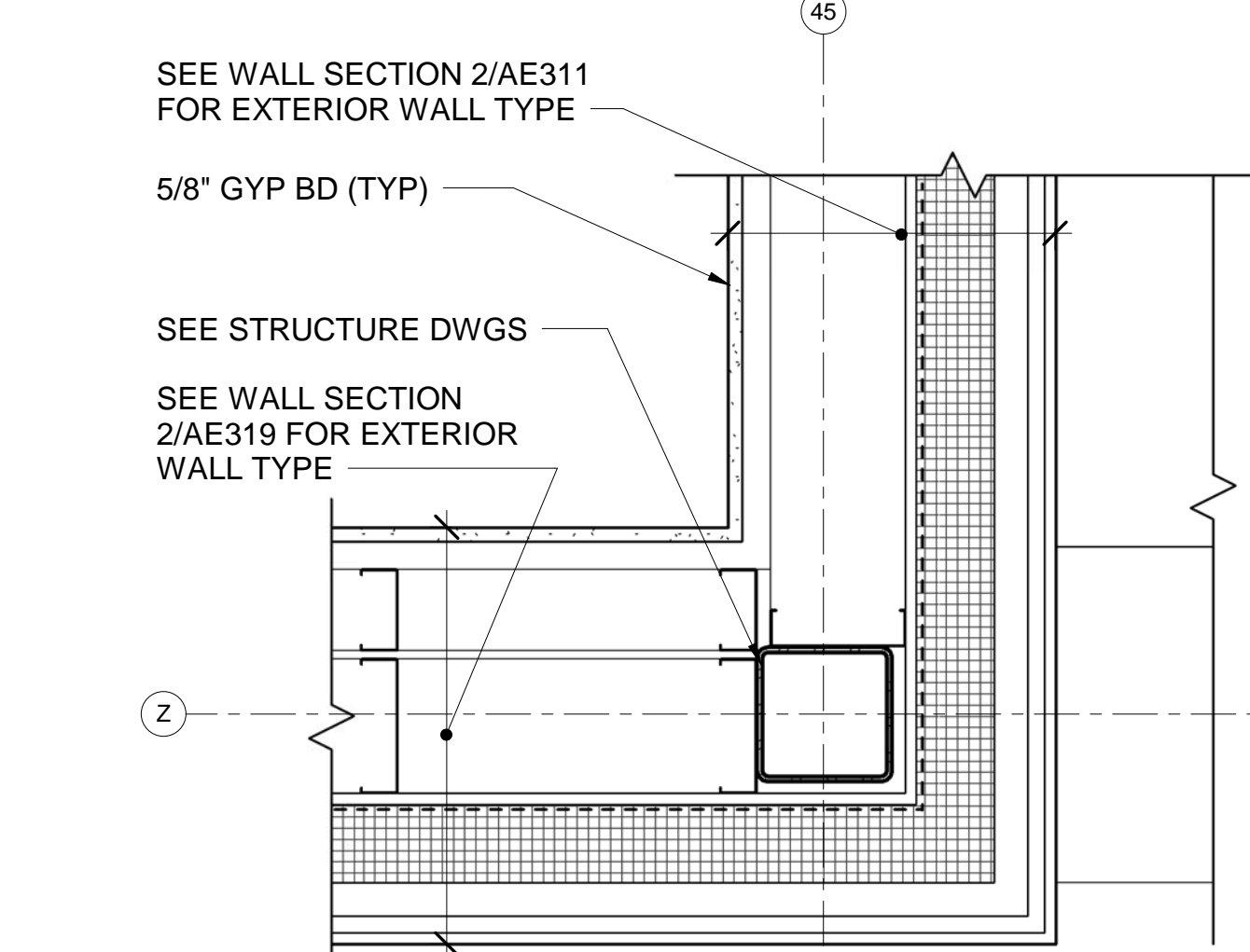
**11 COLUMN MM29 SECOND FLOOR WALL DETAIL**

AE104 AE542 SCALE: 1 1/2" = 1'-0"



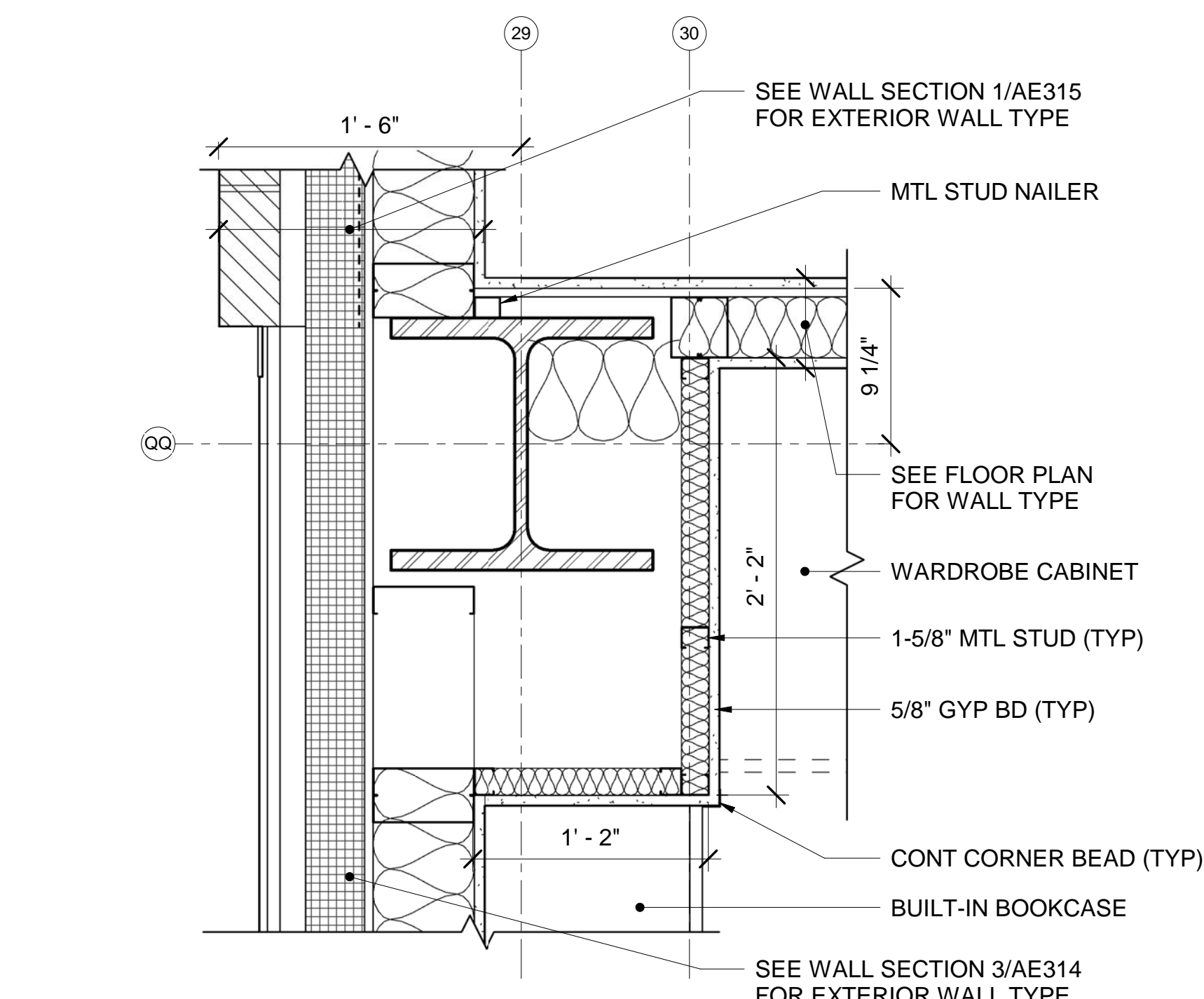
**12 COLUMN EE45 SECOND FLOOR WALL DETAIL**

AE104, AE105 AE542 SCALE: 1 1/2" = 1'-0"



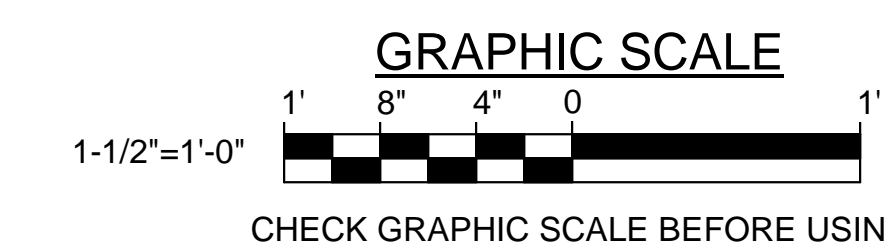
**13 COLUMN Z45 SECOND FLOOR WALL DETAIL**

AE105 AE542 SCALE: 1 1/2" = 1'-0"



**14 COLUMN QQ29 SECOND FLOOR WALL DETAIL**

AE104 AE542 SCALE: 1 1/2" = 1'-0"



		<b>STATE OF MAINE PUBLIC SCHOOL PROJECT</b> TITLE: PORTLAND PUBLIC SCHOOLS NEW FRED P. HALL ELEMENTARY SCHOOL LOCATION: 23 ORONO ROAD, PORTLAND, ME TITLE THIS DWG: PLAN WALL DETAILS 3	
DRAWN BY: JGB CHECK BY: TGB	OAK POINT ASSOCIATES AE542	NO. DATE DESCRIPTION REVISIONS	BY NO. DATE 03/17/17