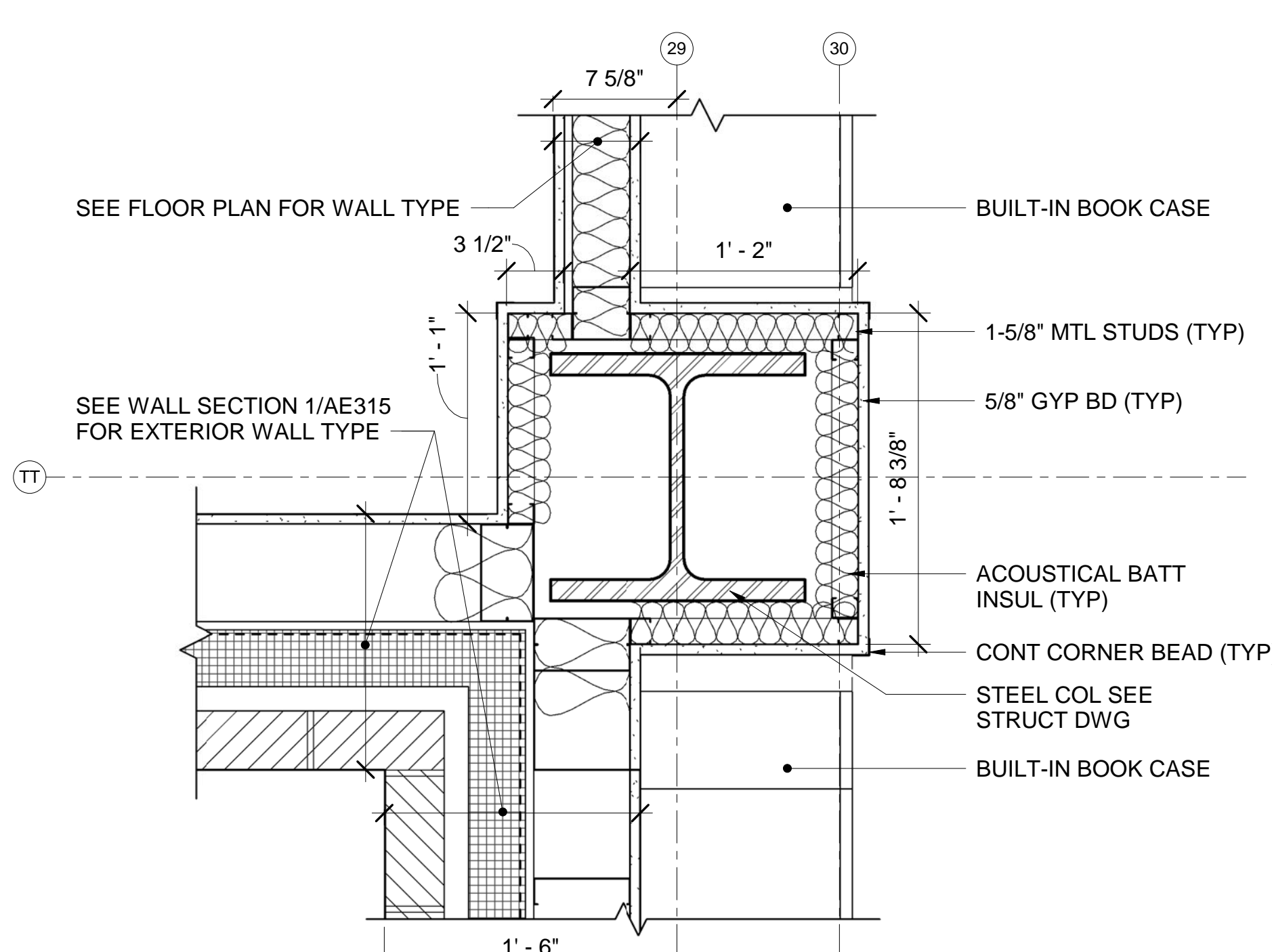


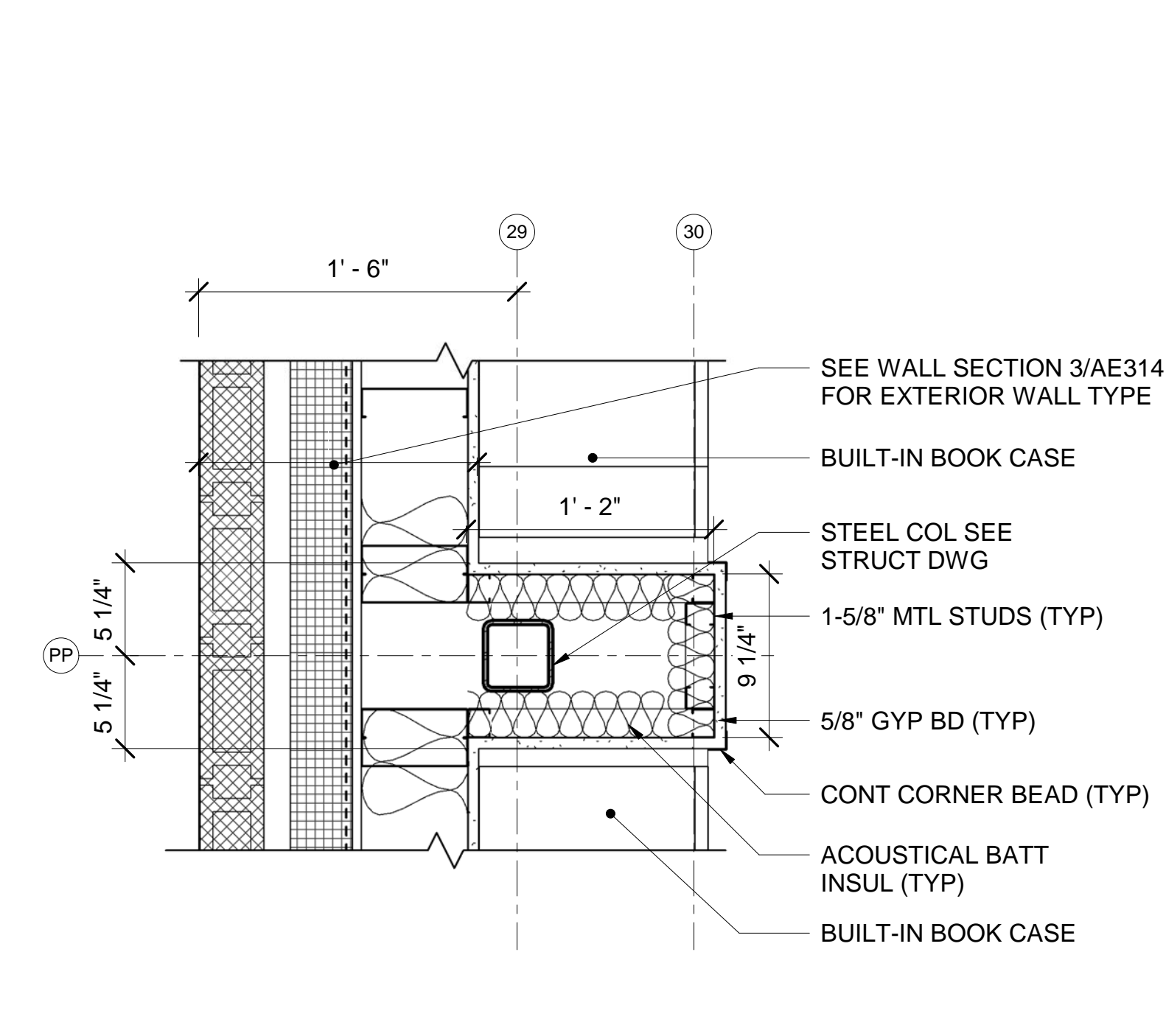
**1 COLUMN ZZ27 WALL DETAIL**

AE103, AE104 AE541 SCALE: 1 1/2" = 1'-0"



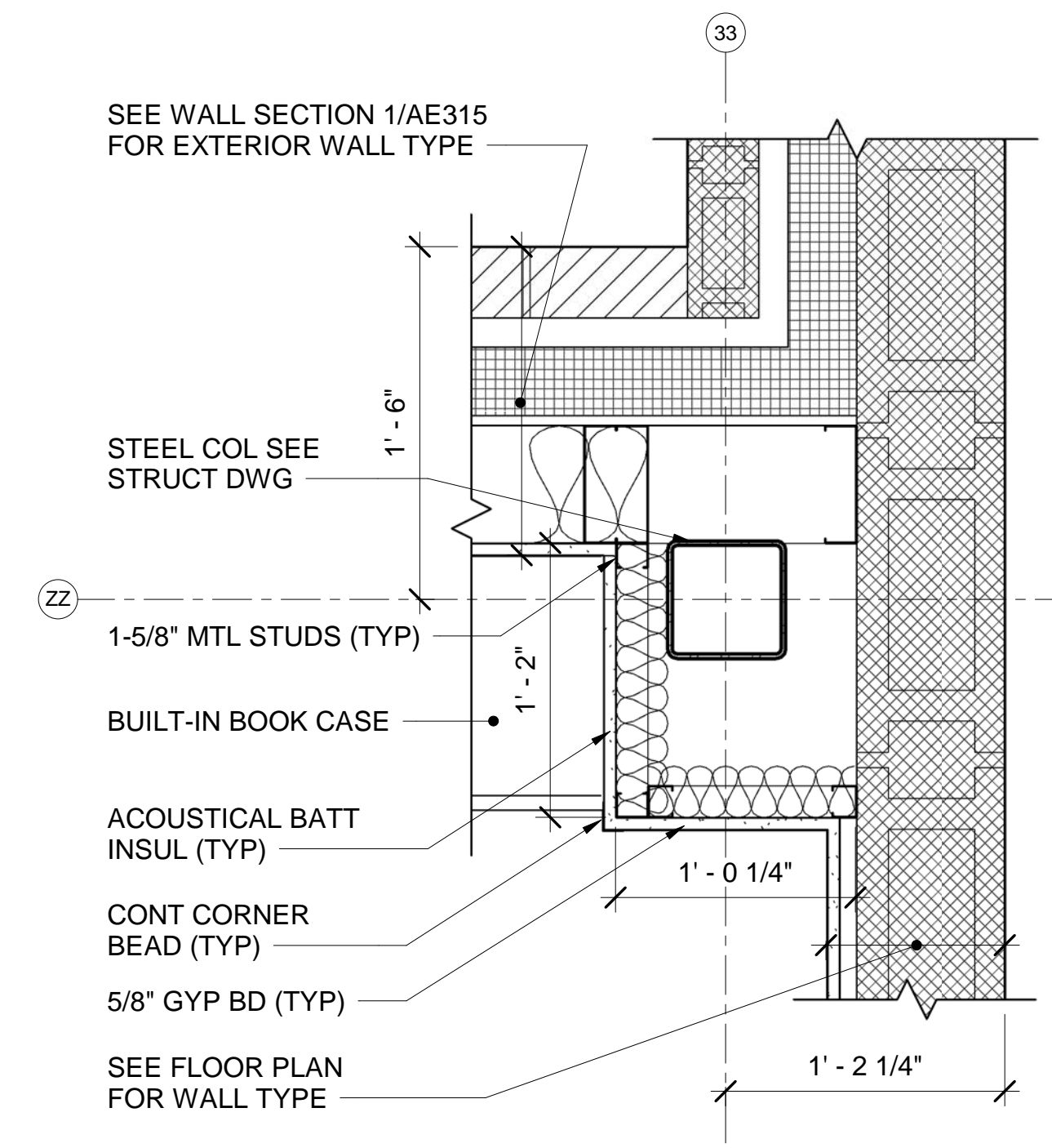
**2 COLUMN TT29 WALL DETAIL**

AE103, AE104 AE541 SCALE: 1 1/2" = 1'-0"



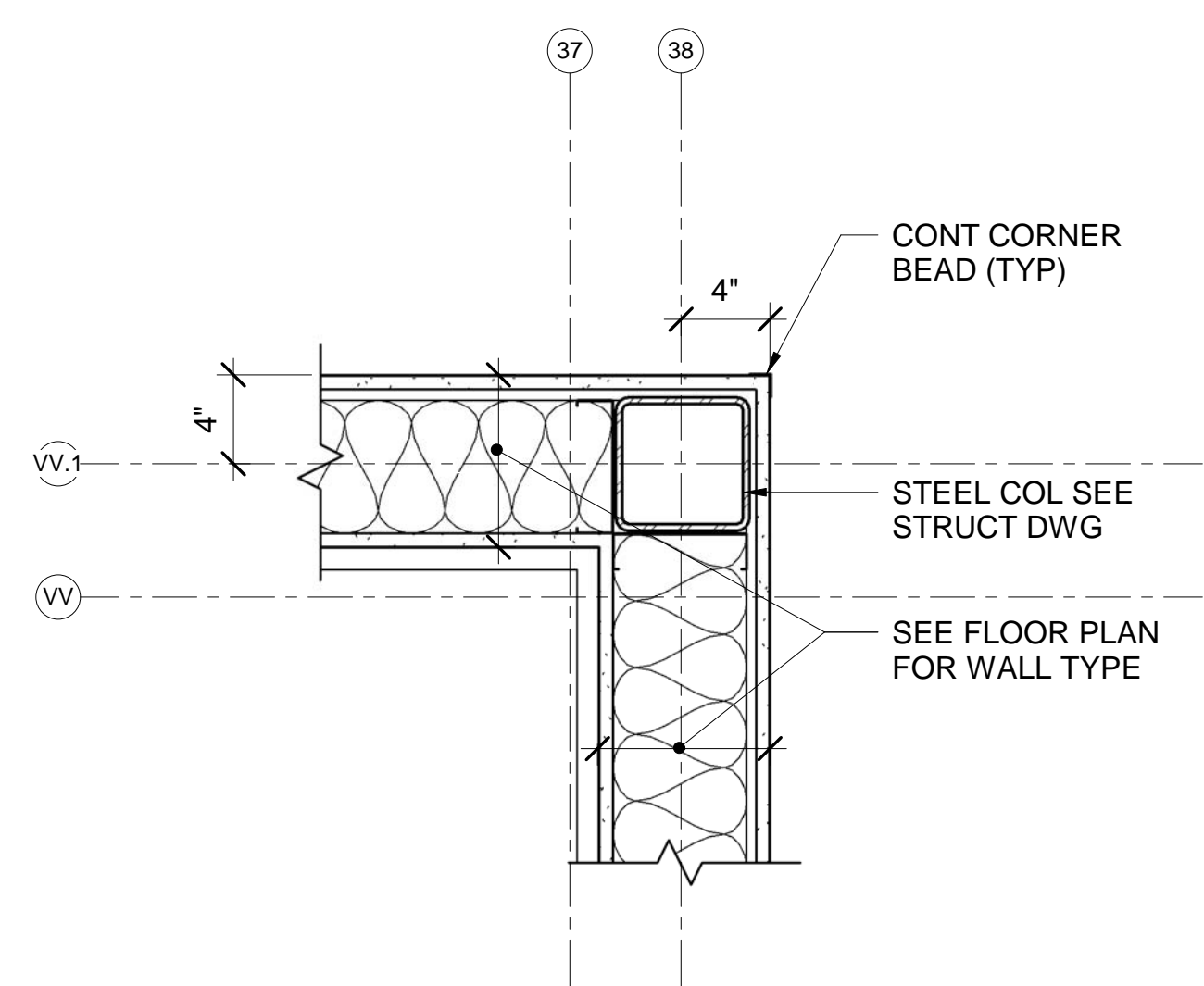
**3 COLUMN PP29 WALL DETAIL**

AE102 AE541 SCALE: 1 1/2" = 1'-0"



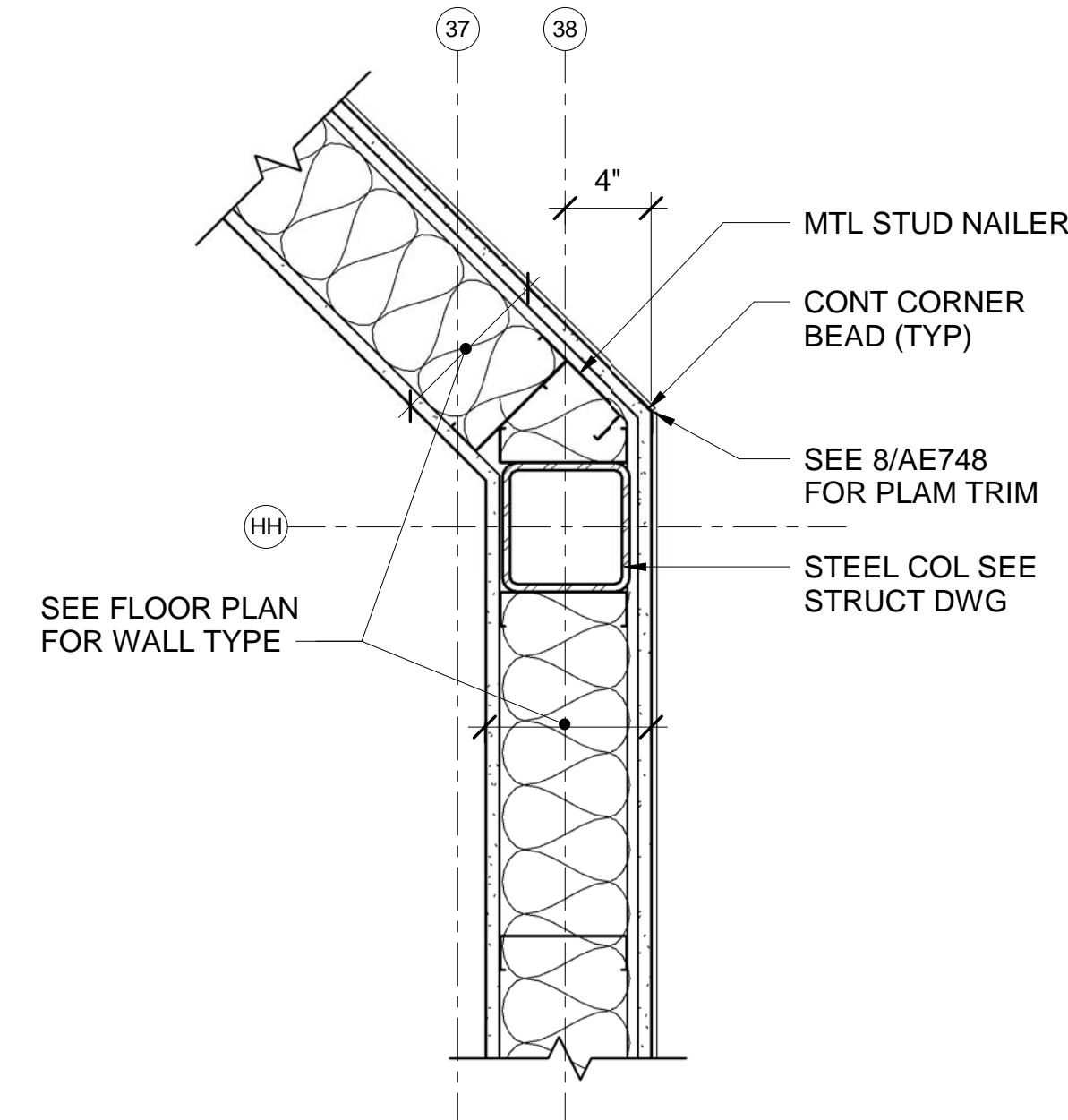
**4 COLUMN ZZ33 WALL DETAIL**

AE103, AE104 AE541 SCALE: 1 1/2" = 1'-0"



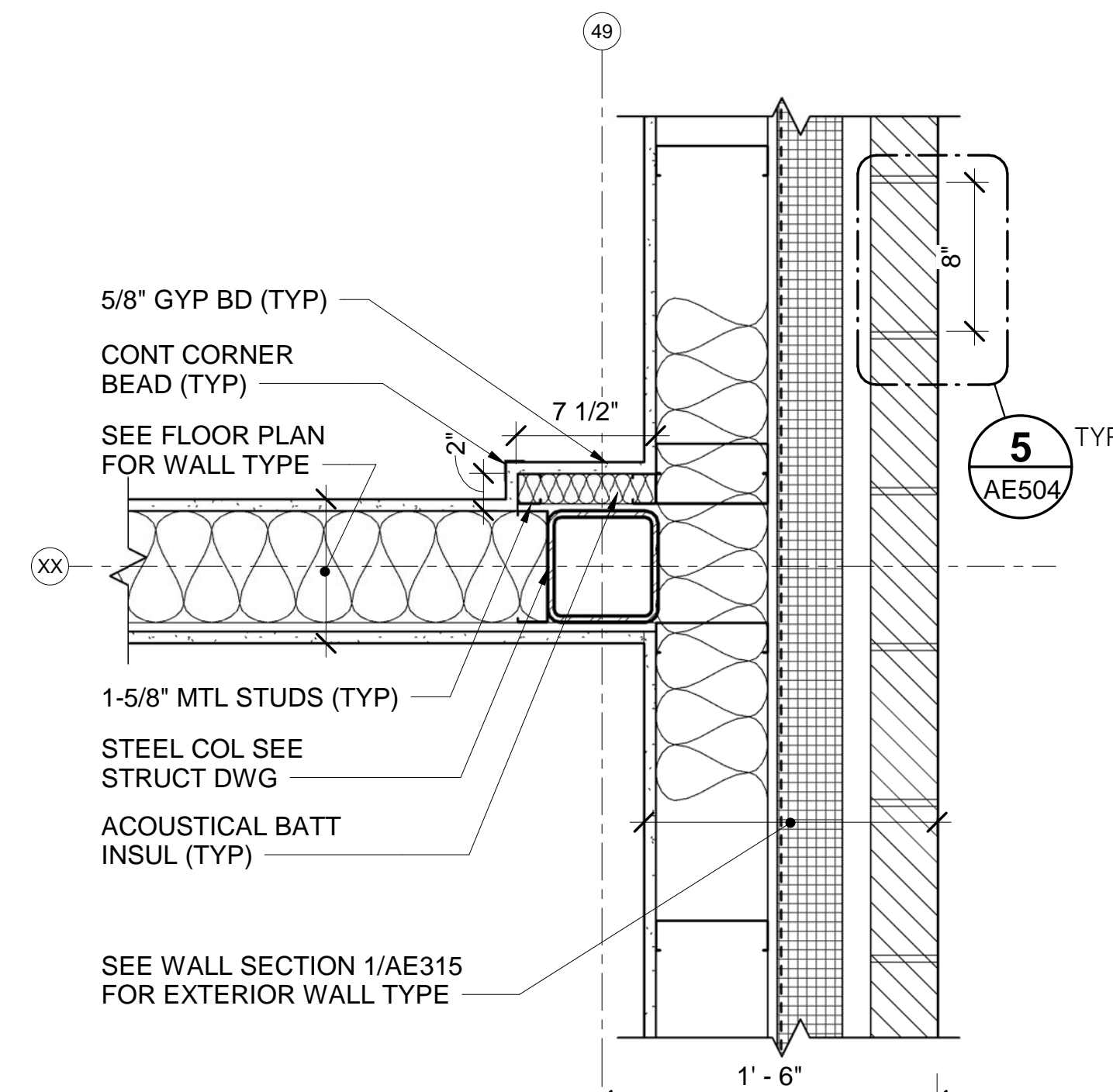
**5 COLUMN R26 WALL DETAIL**

AE103, AE104 AE541 SCALE: 1 1/2" = 1'-0"



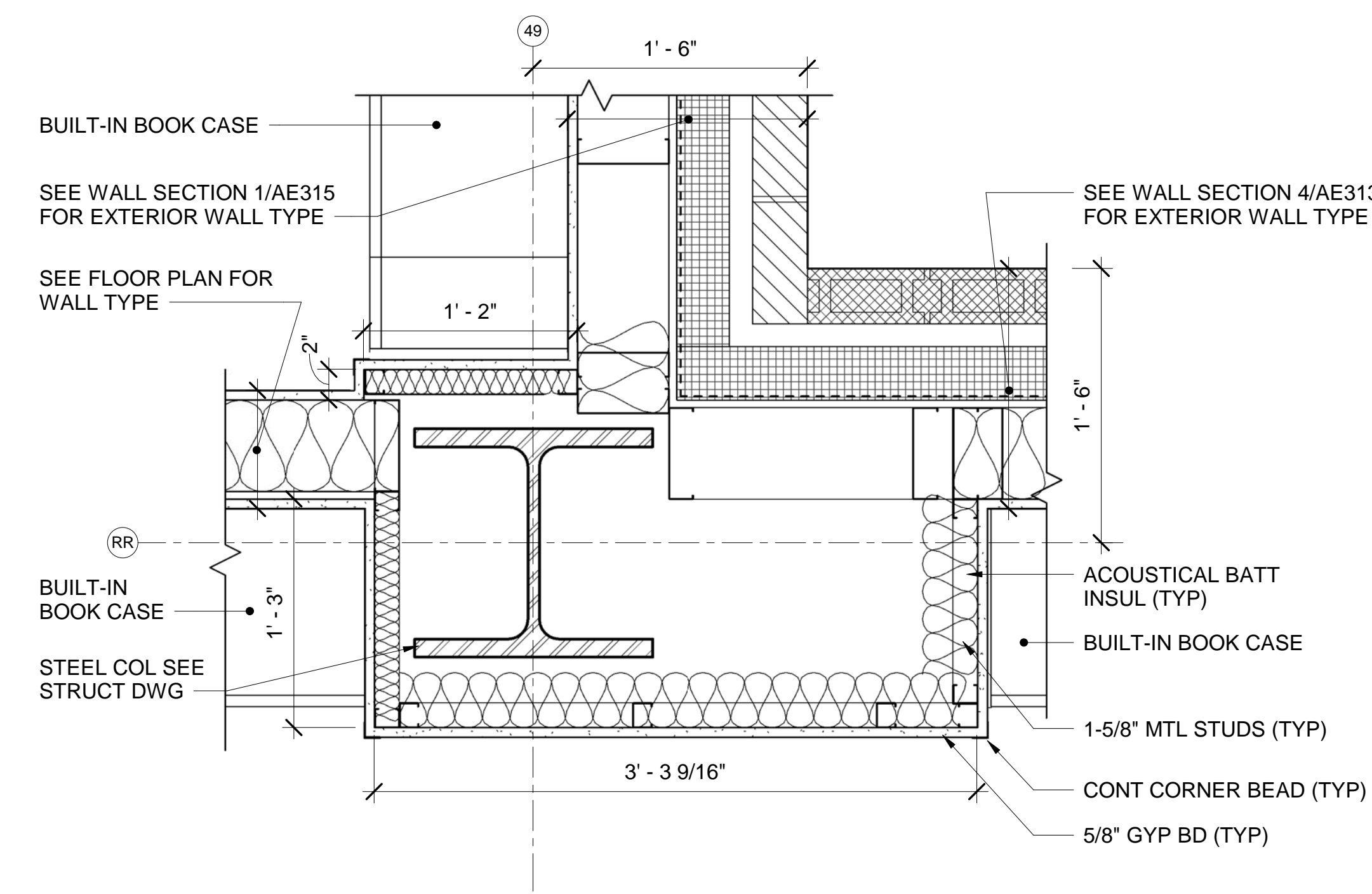
**6 COLUMN HH38 WALL DETAIL**

AE102 AE541 SCALE: 1 1/2" = 1'-0"



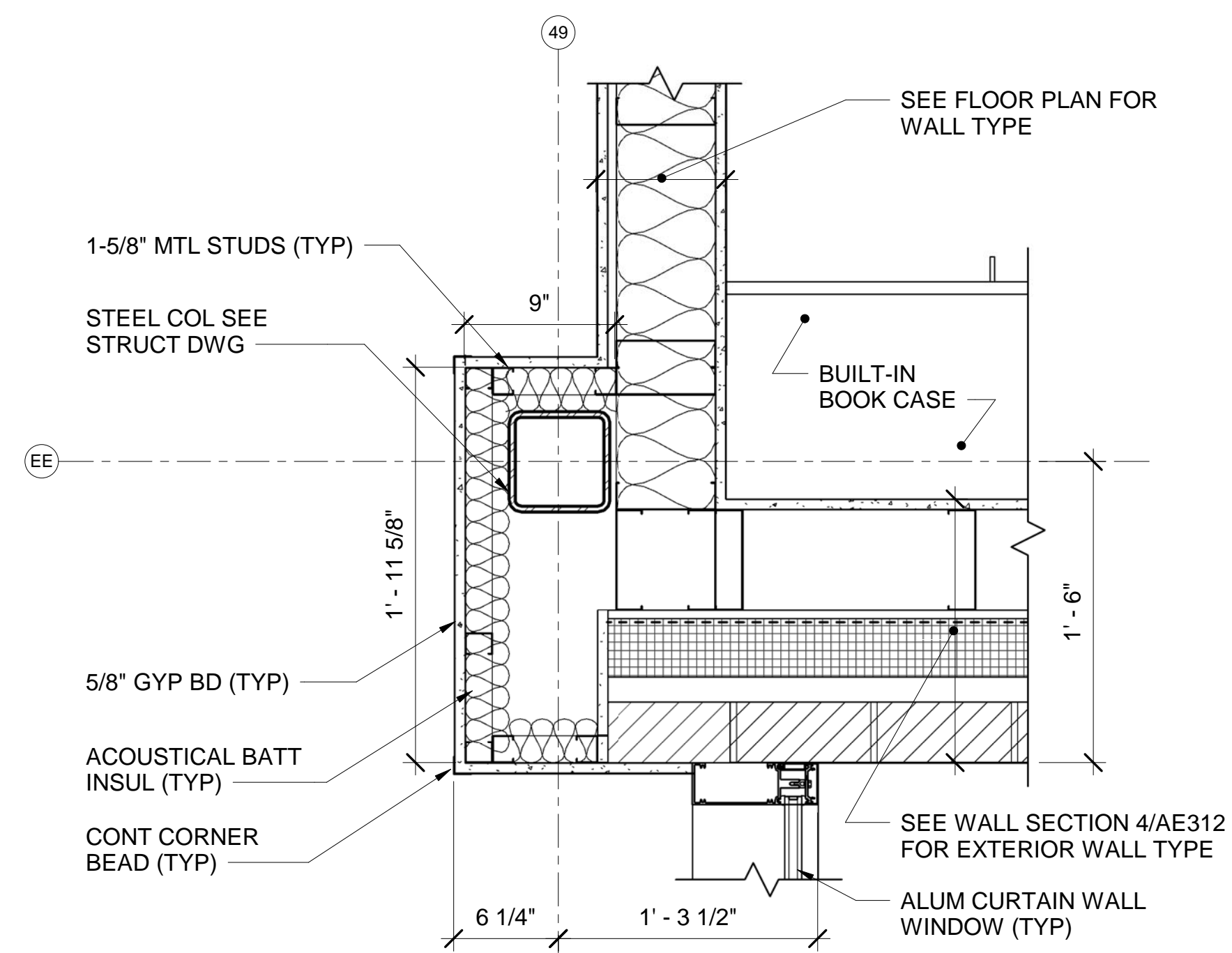
**7 COLUMN XX49 WALL DETAIL**

AE103, AE104 AE541 SCALE: 1 1/2" = 1'-0"



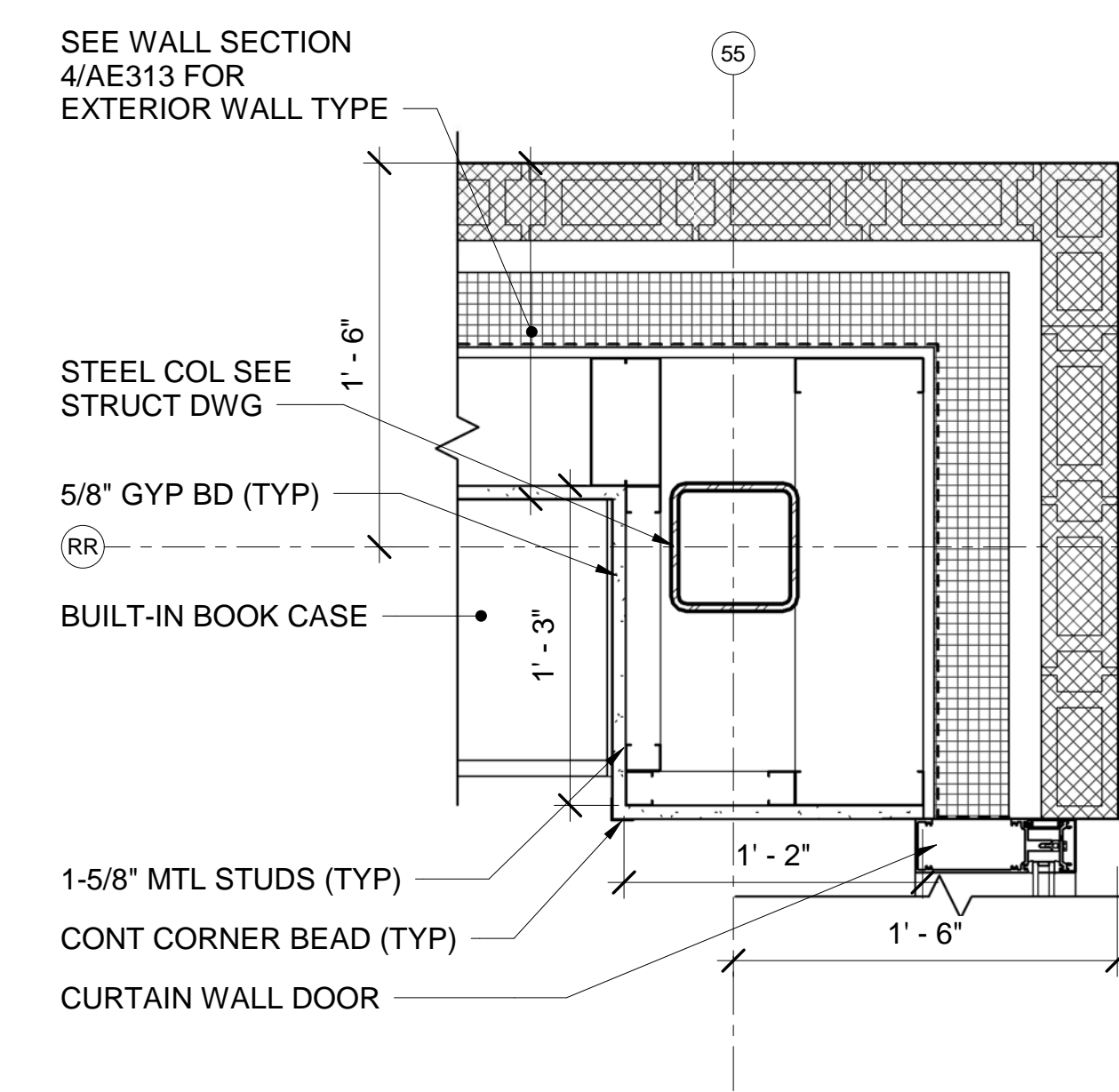
**8 COLUMN RR49 WALL DETAIL**

AE102 AE541 SCALE: 1 1/2" = 1'-0"



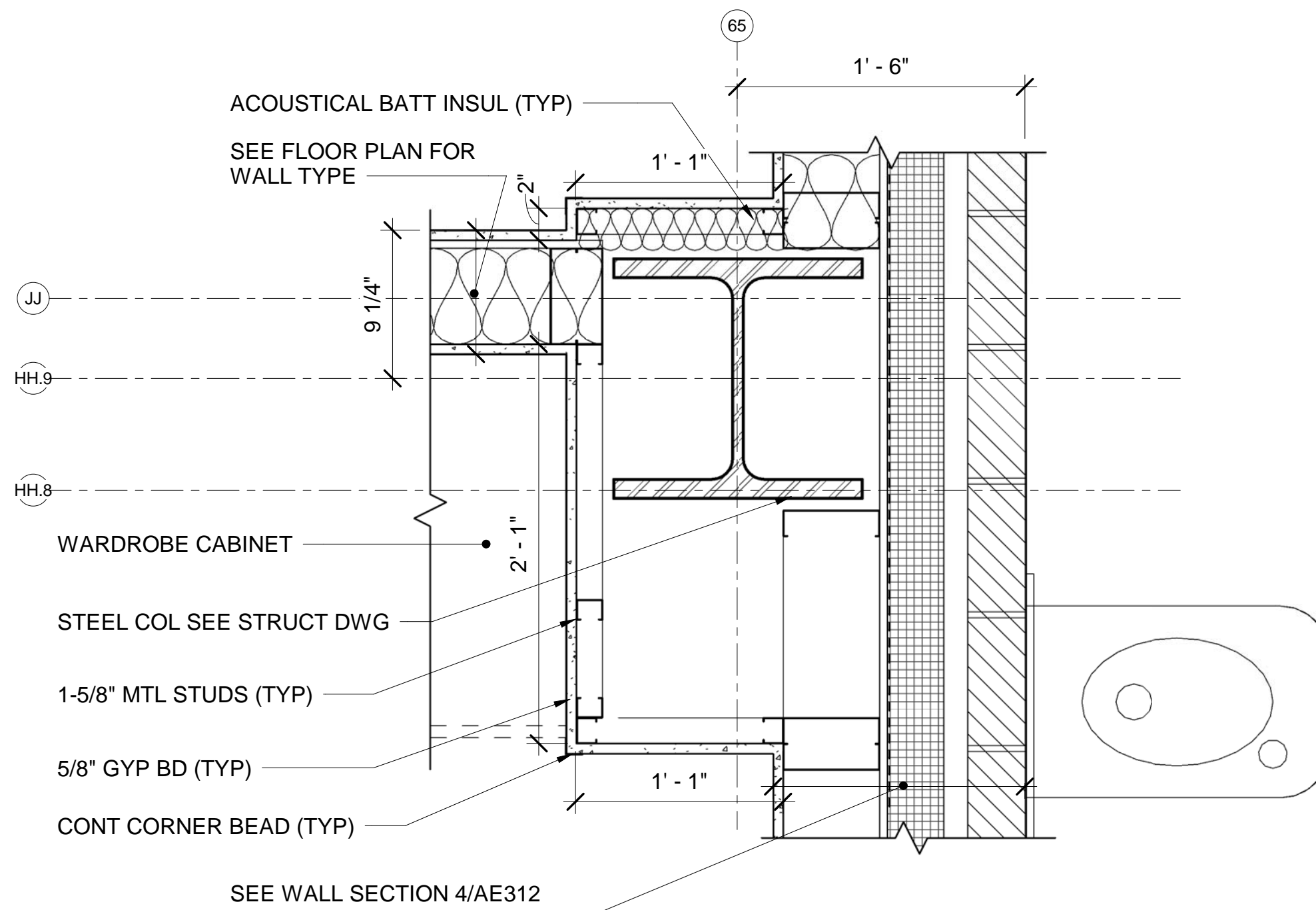
**9 COLUMN FF49 WALL DETAIL**

AE102 AE541 SCALE: 1 1/2" = 1'-0"



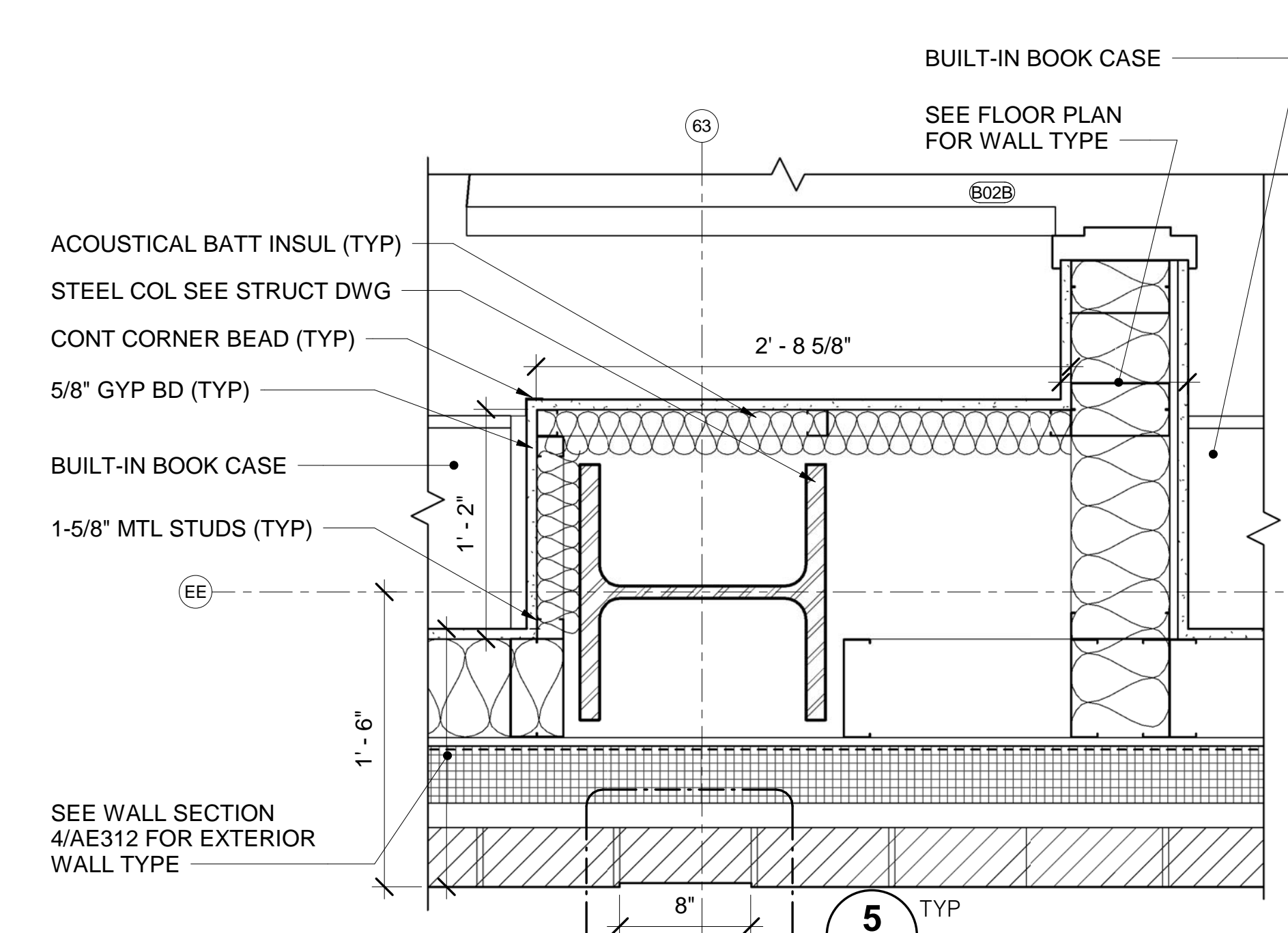
**10 COLUMN RR55 WALL DETAIL**

AE102 AE541 SCALE: 1 1/2" = 1'-0"



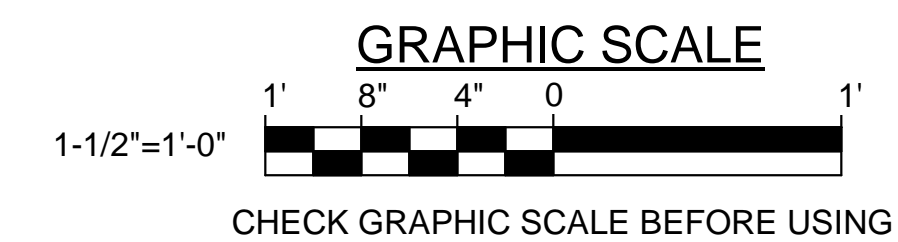
**11 COLUMN HH.9 65 WALL DETAIL**

AE102 AE541 SCALE: 1 1/2" = 1'-0"



**12 COLUMN FF63 WALL DETAIL**

AE102 AE541 SCALE: 1 1/2" = 1'-0"



		<b>STATE OF MAINE</b> <b>PUBLIC SCHOOL PROJECT</b>	
		TITLE: PORTLAND PUBLIC SCHOOLS NEW FRED P. HALL ELEMENTARY SCHOOL LOCATION: 23 ORONO ROAD, PORTLAND, ME TITLE THIS DWG: PLAN WALL DETAILS 2	
DRAWN BY: JGB CHECK BY: TGB	NO. DATE DESCRIPTION REVISIONS	BY NO. DATE 03/17/17	OAK POINT ASSOCIATES AE541 SHEET NO. 171 OF 312