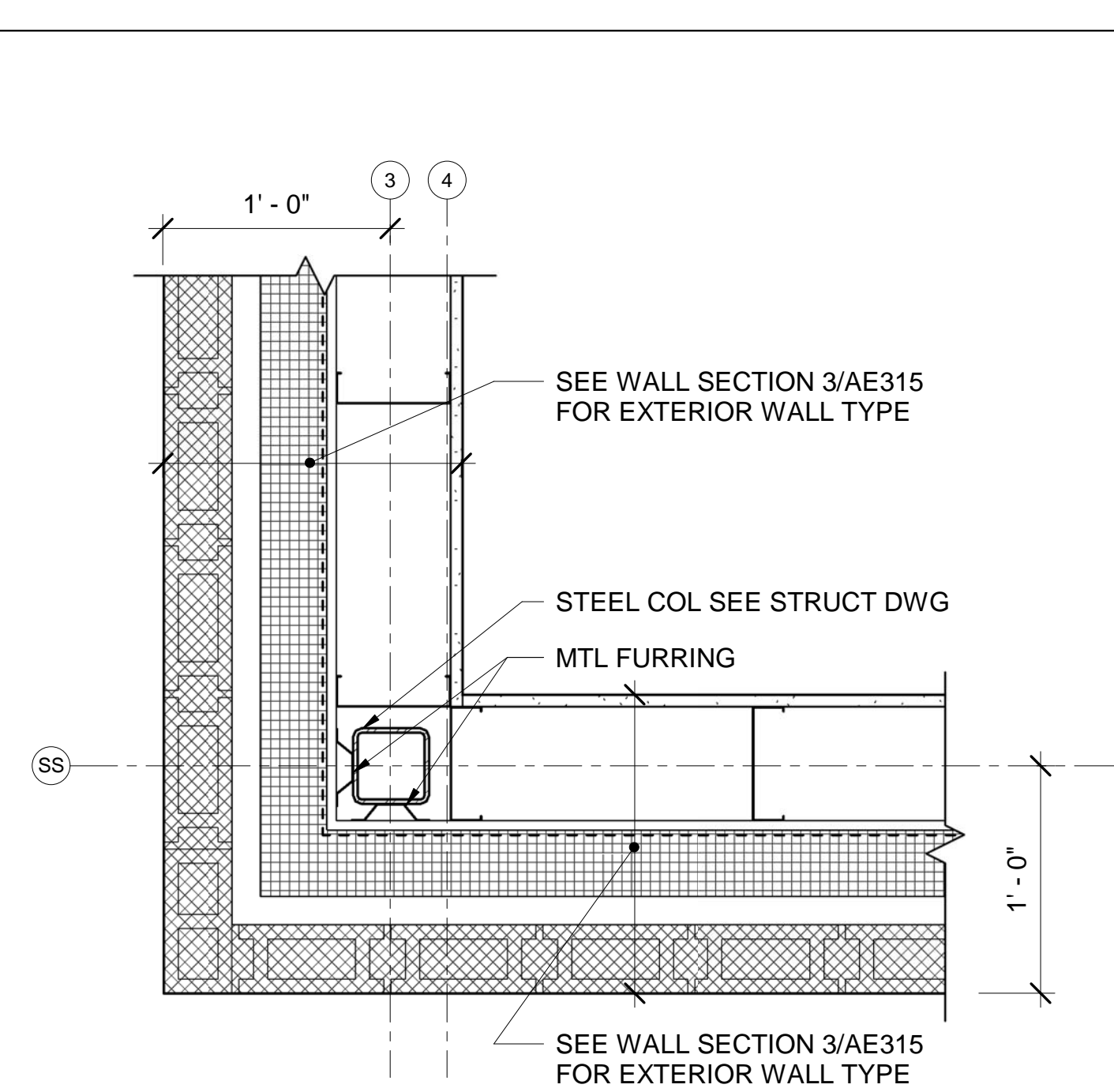
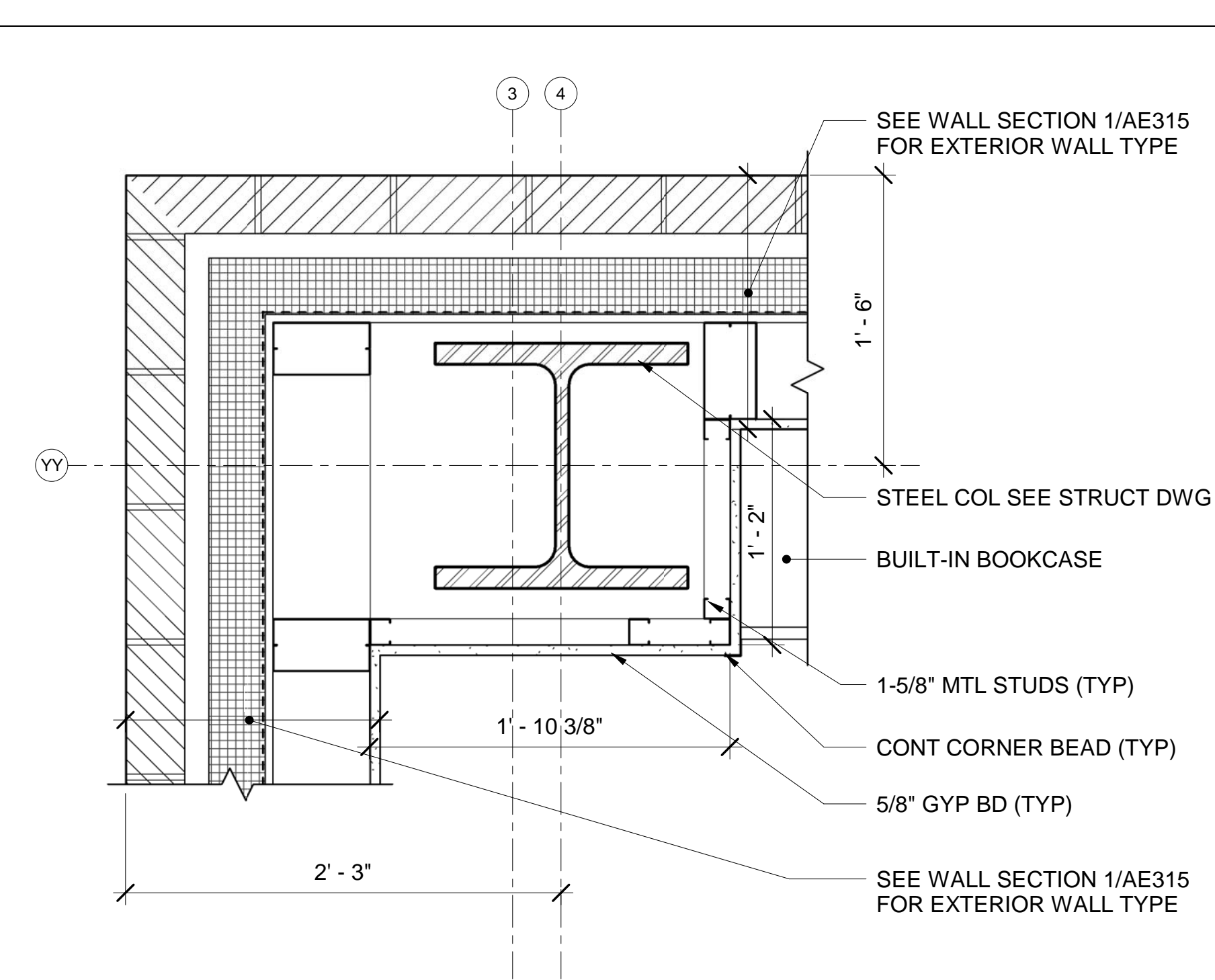


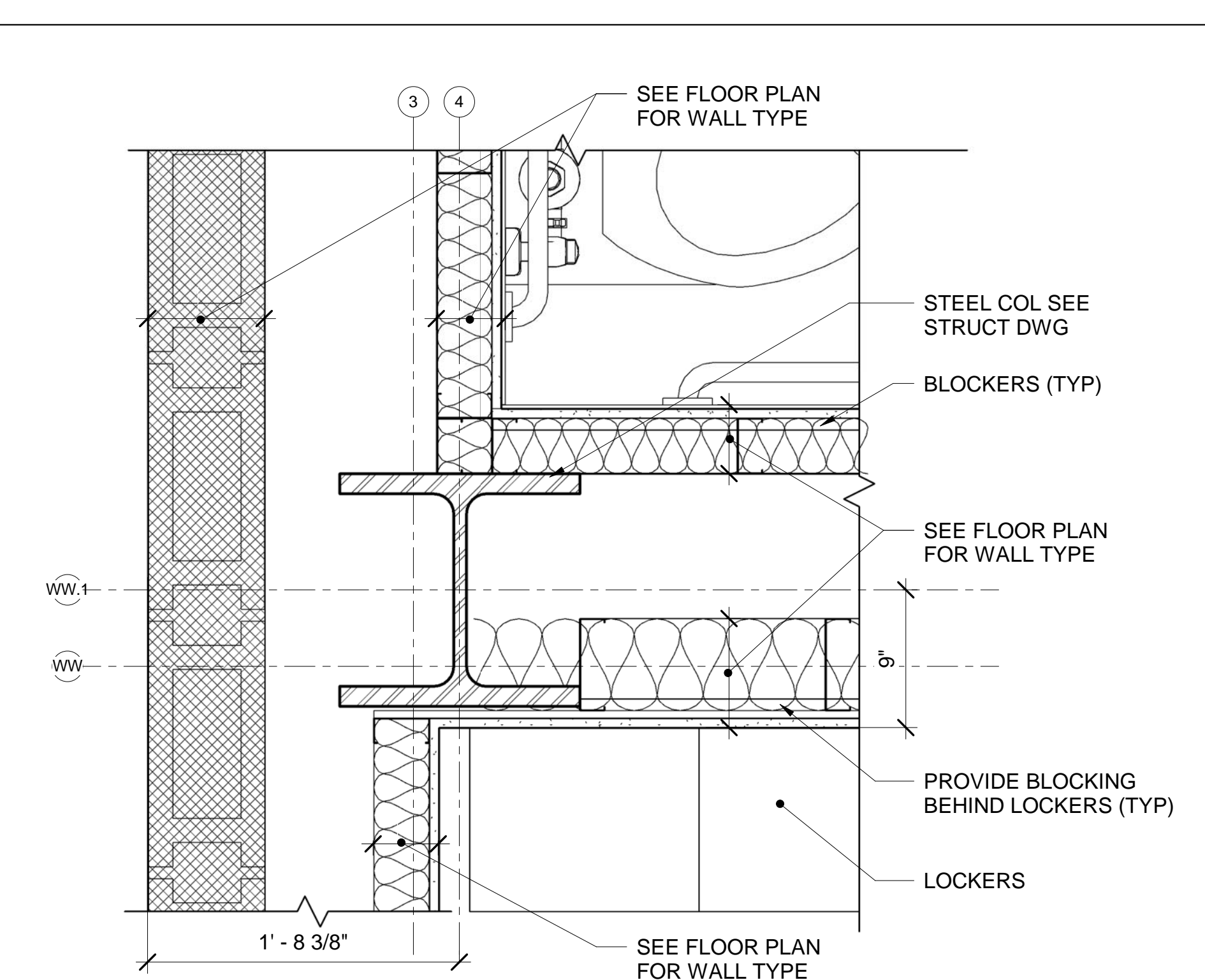
1 COLUMN W1 WALL DETAIL
 AE103 AE540 SCALE: 1 1/2" = 1'-0"



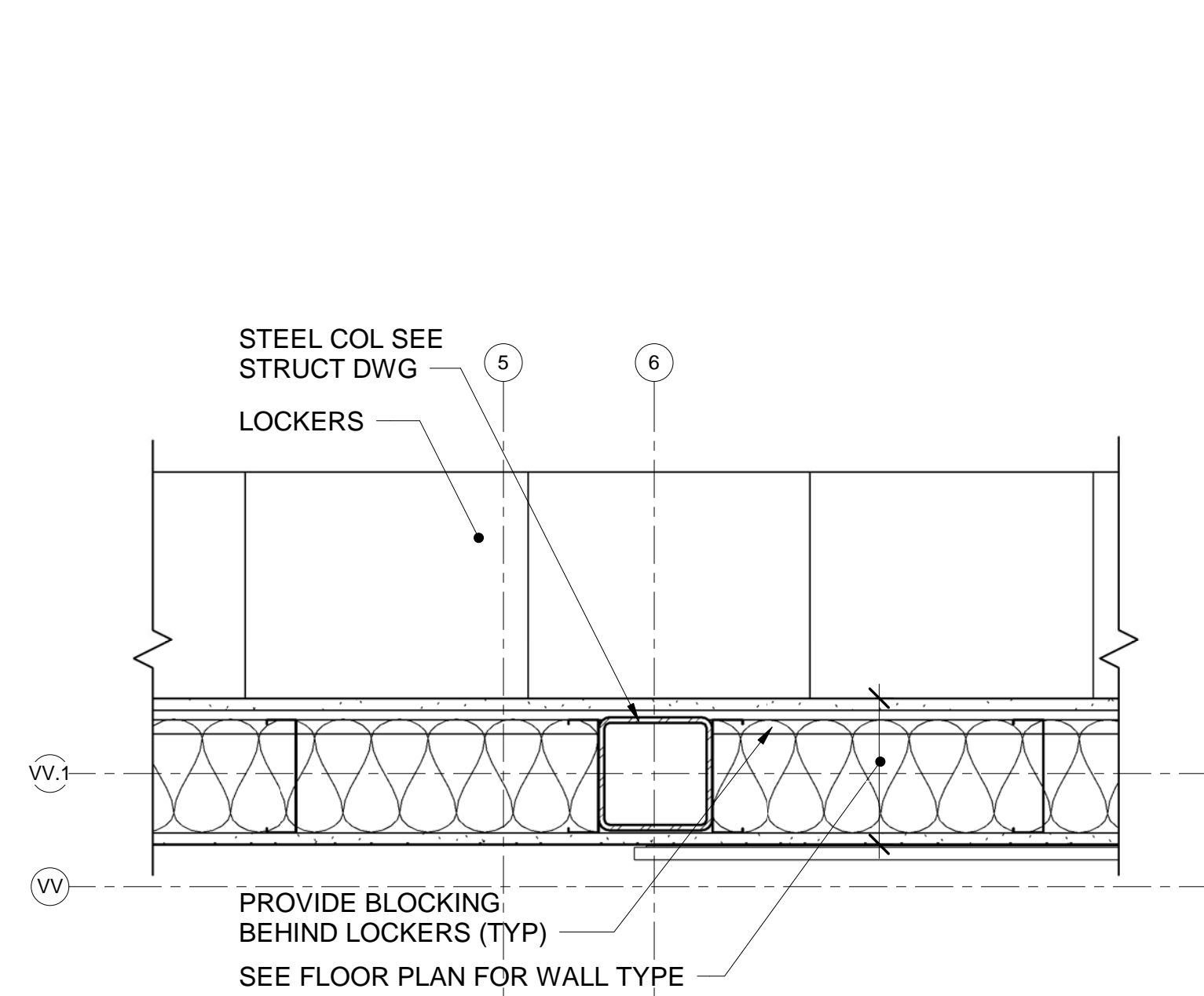
2 COLUMN SS3 WALL DETAIL
 AE103, AE104 AE540 SCALE: 1 1/2" = 1'-0"



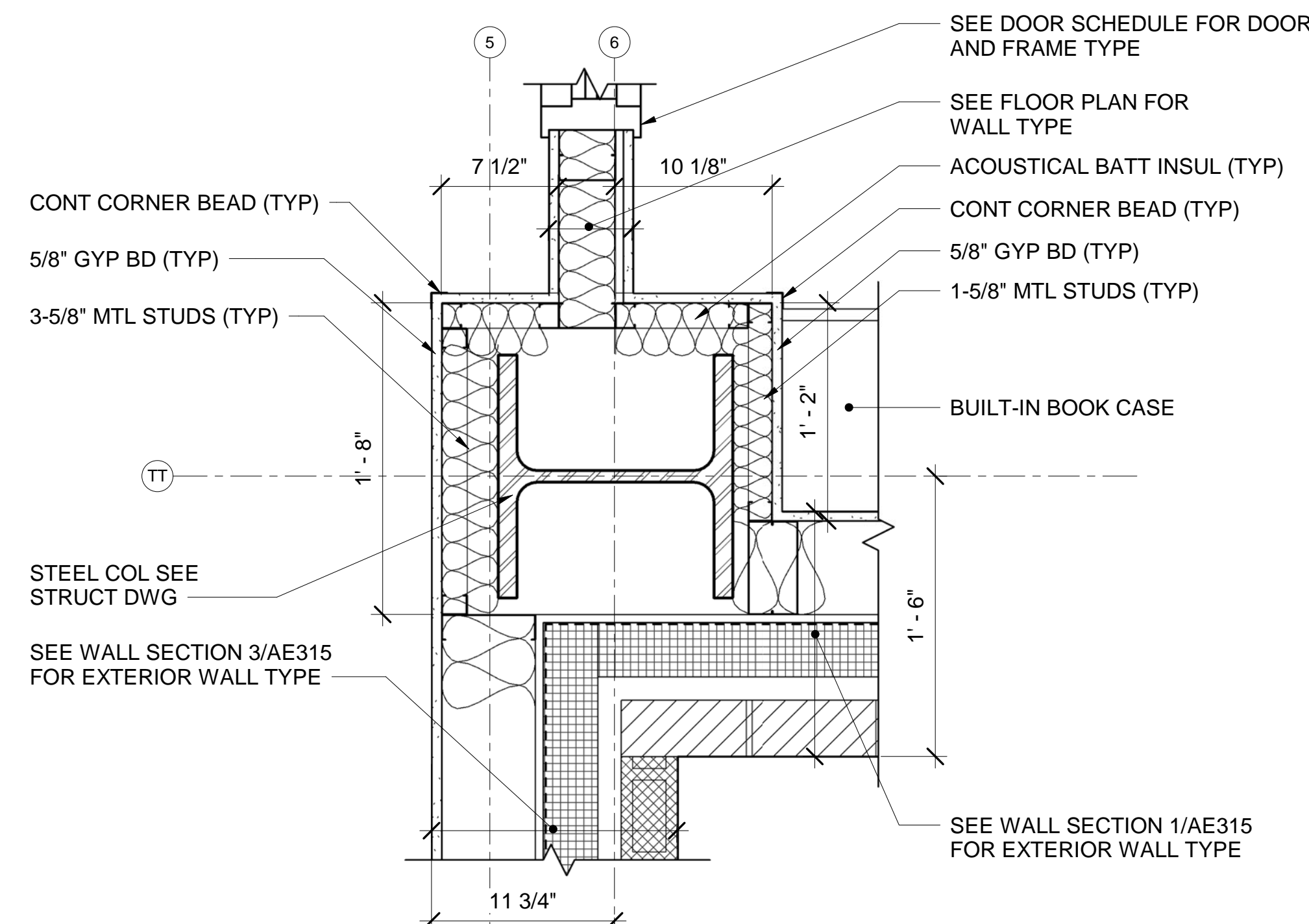
3 COLUMN YY4 WALL DETAIL
 AE101, AE102 AE103, AE104 AE540 SCALE: 1 1/2" = 1'-0"



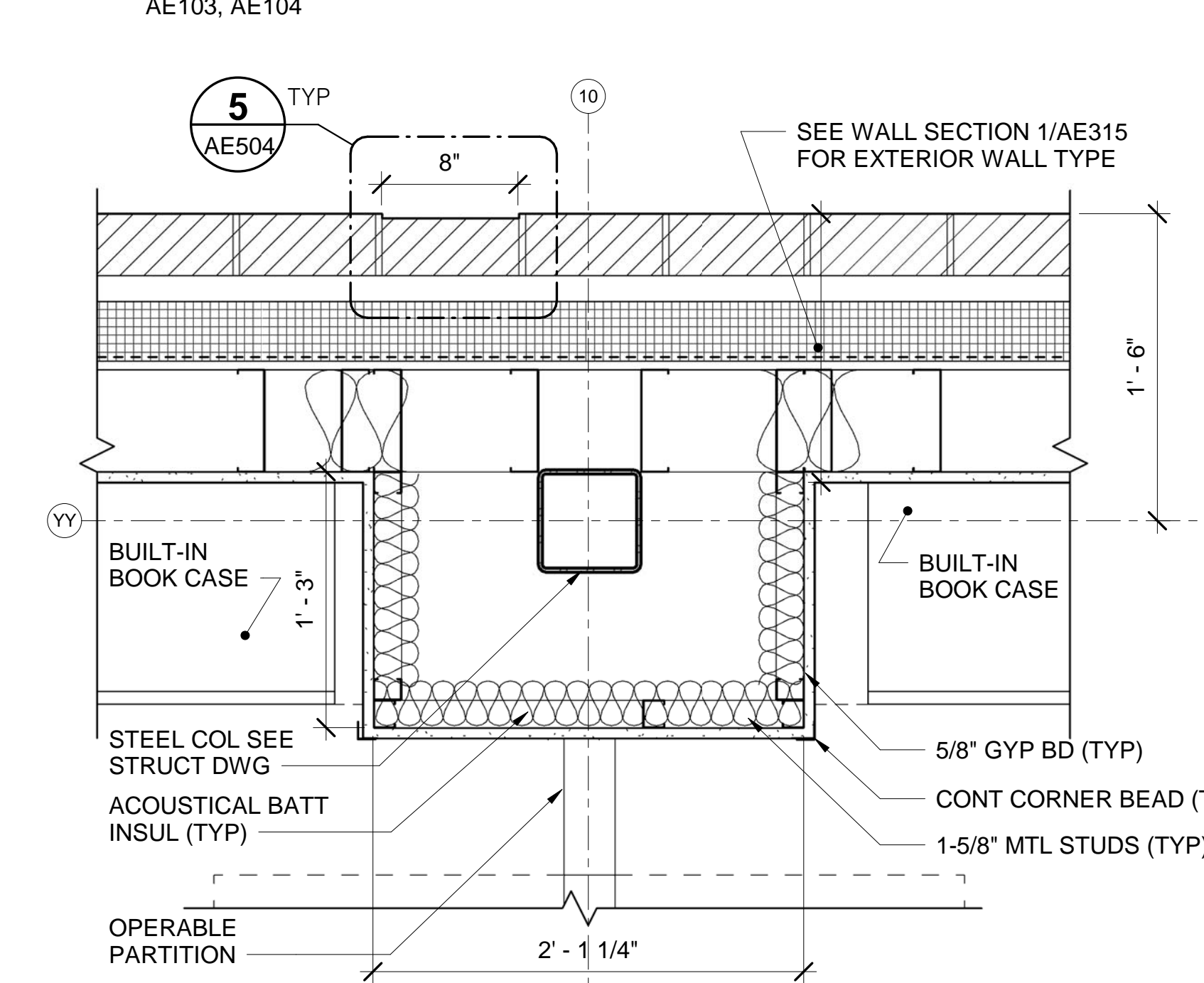
4 COLUMN WW.1 4 WALL DETAIL
 AE103, AE104 AE540 SCALE: 1 1/2" = 1'-0"



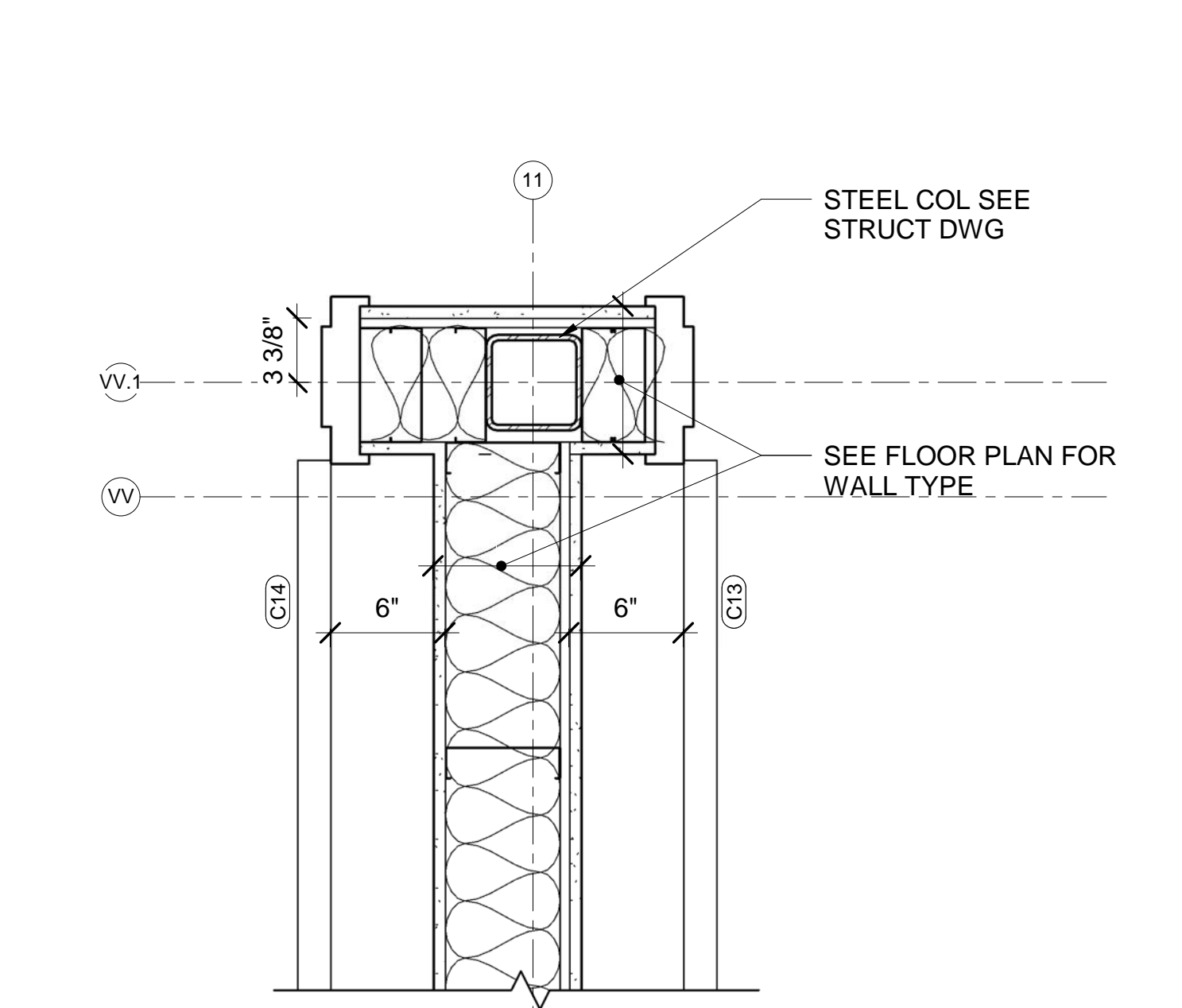
5 COLUMN W.1 6 WALL DETAIL
 AE101, AE102 AE103, AE104 AE540 SCALE: 1 1/2" = 1'-0"



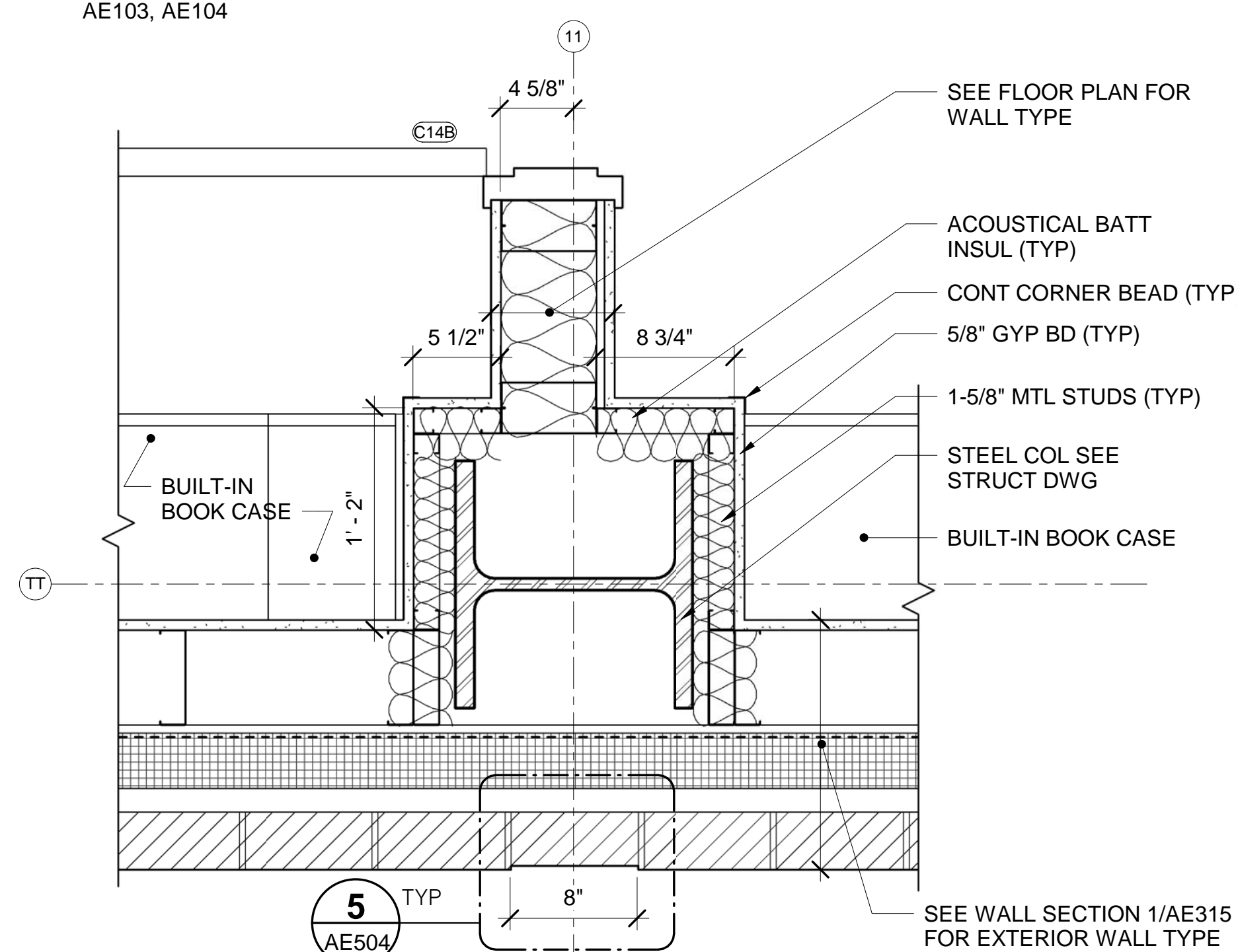
6 COLUMN TT6 WALL DETAIL
 AE103 AE540 SCALE: 1 1/2" = 1'-0"



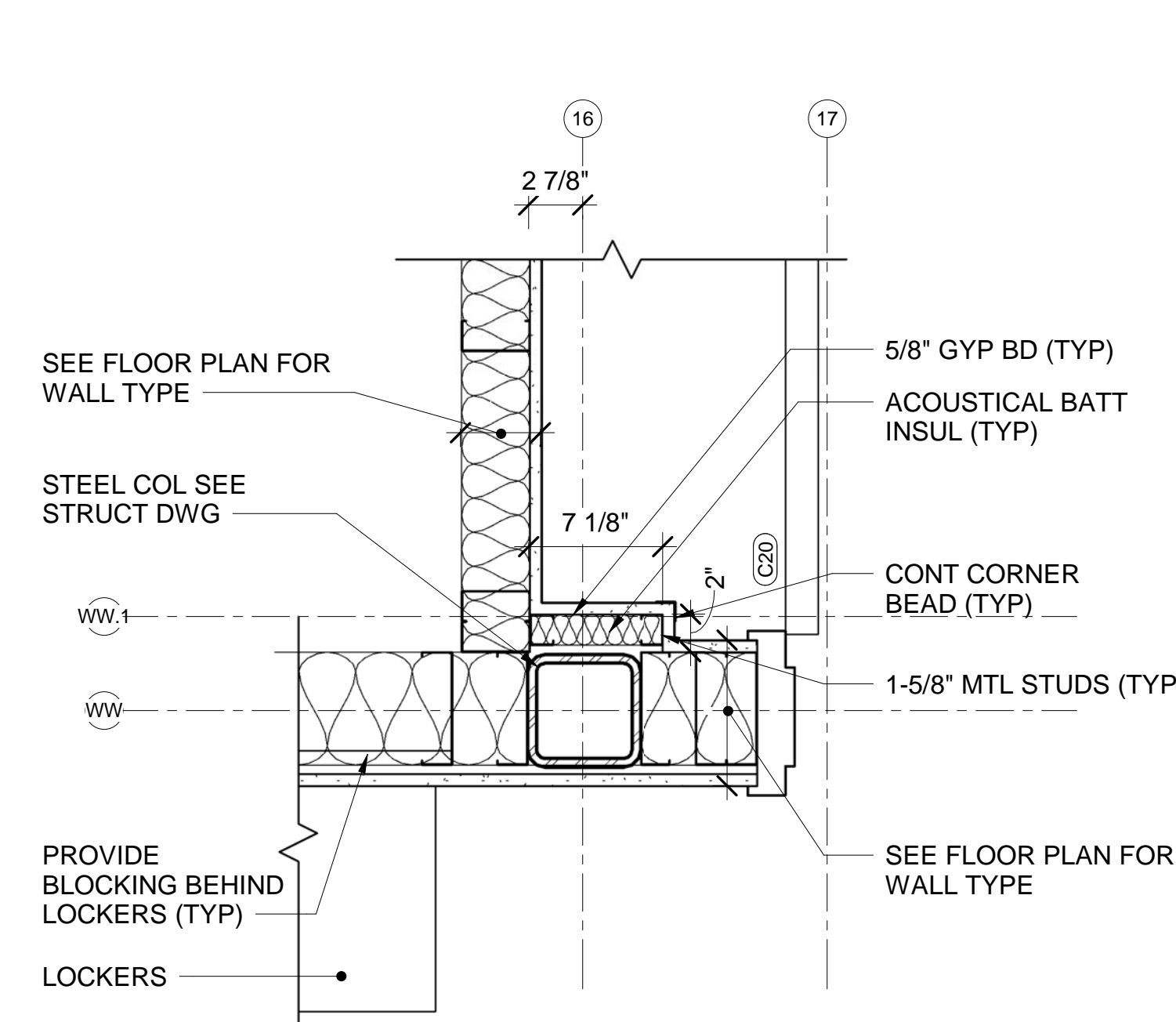
7 COLUMN YY10 WALL DETAIL
 AE103, AE104 AE540 SCALE: 1 1/2" = 1'-0"



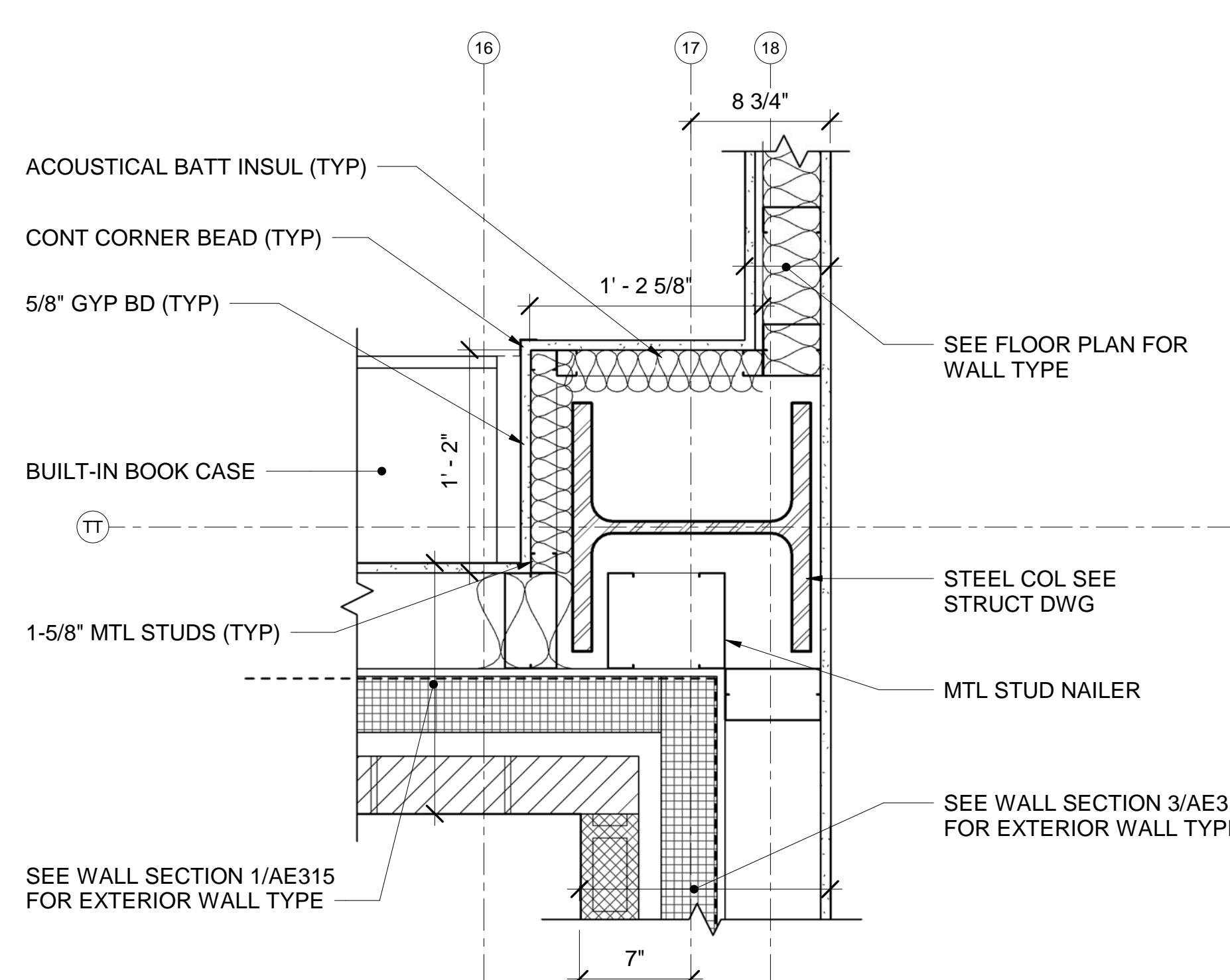
8 COLUMN VV.1 11 WALL DETAIL
 AE102, AE103 AE104 AE540 SCALE: 1 1/2" = 1'-0"



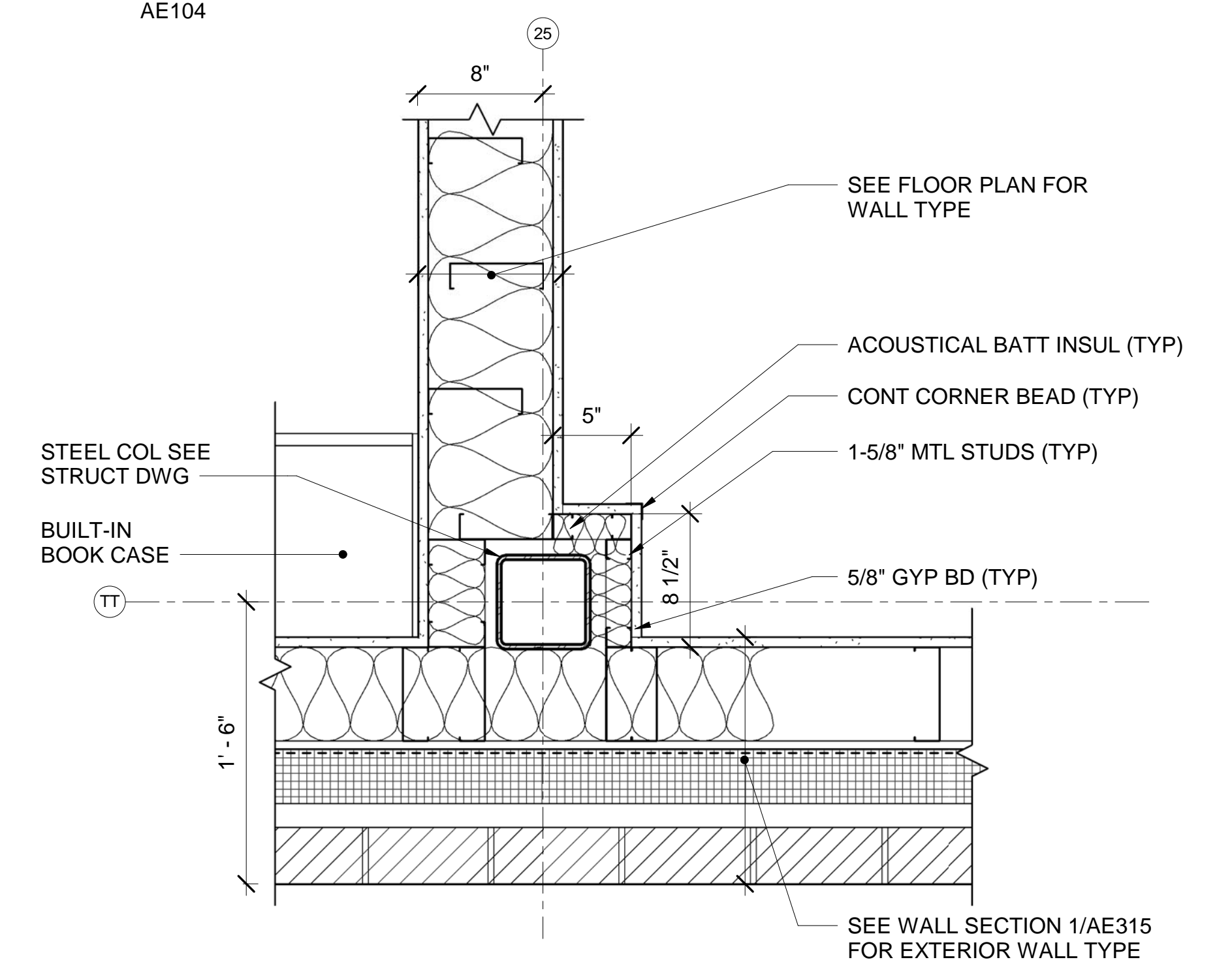
9 COLUMN TT11 WALL DETAIL
 AE102, AE103 AE104 AE540 SCALE: 1 1/2" = 1'-0"



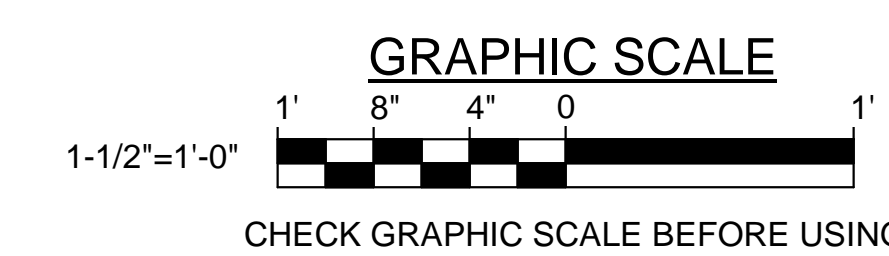
10 COLUMN WW16 WALL DETAIL
 AE102, AE103 AE104 AE540 SCALE: 1 1/2" = 1'-0"



11 COLUMN TT17 WALL DETAIL
 AE102, AE103 AE104 AE540 SCALE: 1 1/2" = 1'-0"



12 COLUMN TT25 WALL DETAIL
 AE103, AE104 AE540 SCALE: 1 1/2" = 1'-0"



		STATE OF MAINE PUBLIC SCHOOL PROJECT TITLE: PORTLAND PUBLIC SCHOOLS NEW FRED P. HALL ELEMENTARY SCHOOL LOCATION: 23 ORONO ROAD, PORTLAND, ME TITLE THIS DWG: PLAN WALL DETAILS 1	
DRAWN BY: JGB CHECK BY: TGB	DATE: 03/17/17	NO. DATE DESCRIPTION BY NO. REVISIONS	OAK POINT ASSOCIATES AE540 SHEET NO. 170 OF 312