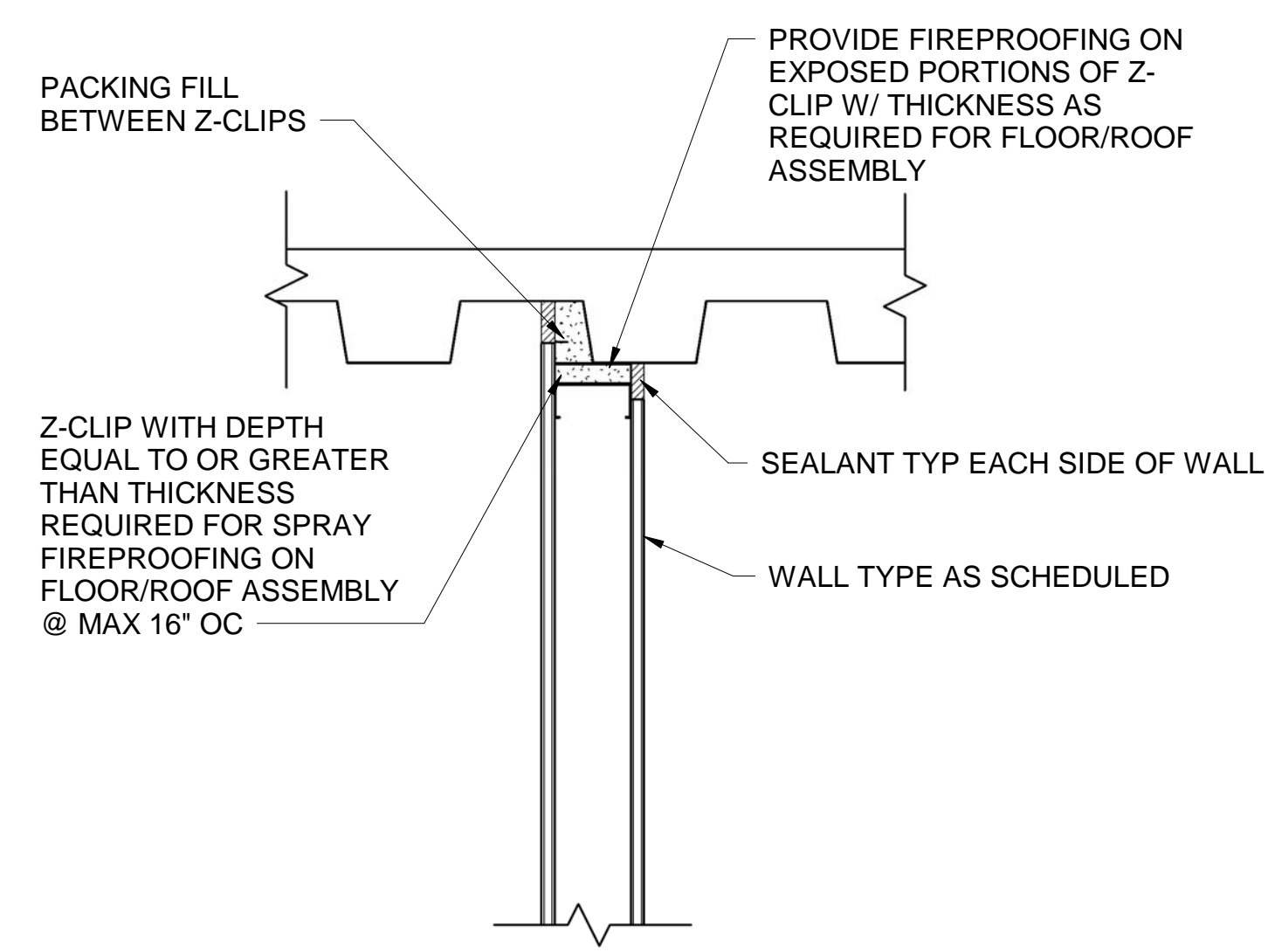
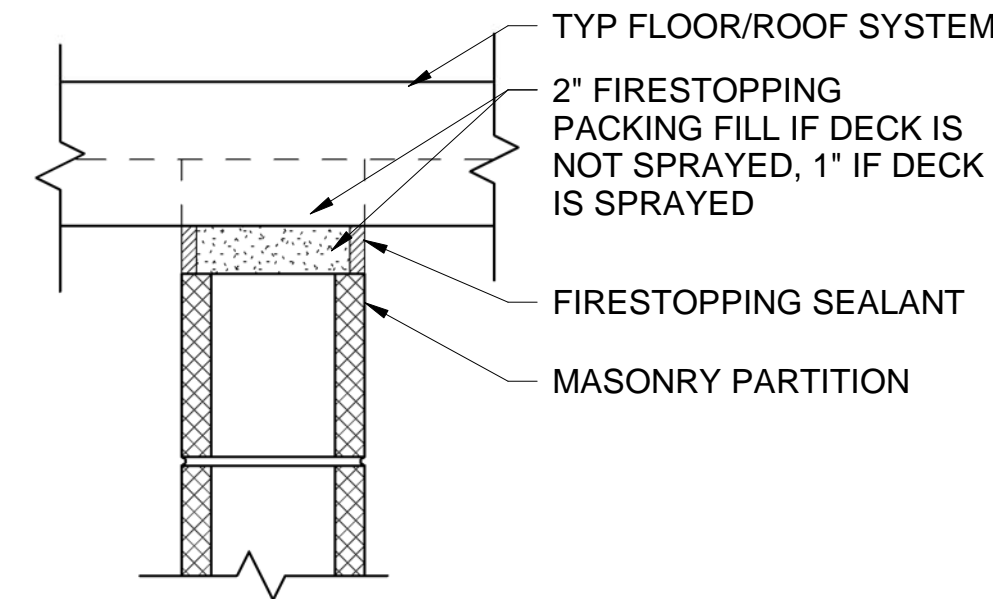


1 DETAIL AT PENETRATION
AE520 SCALE: 1 1/2" = 1'-0"

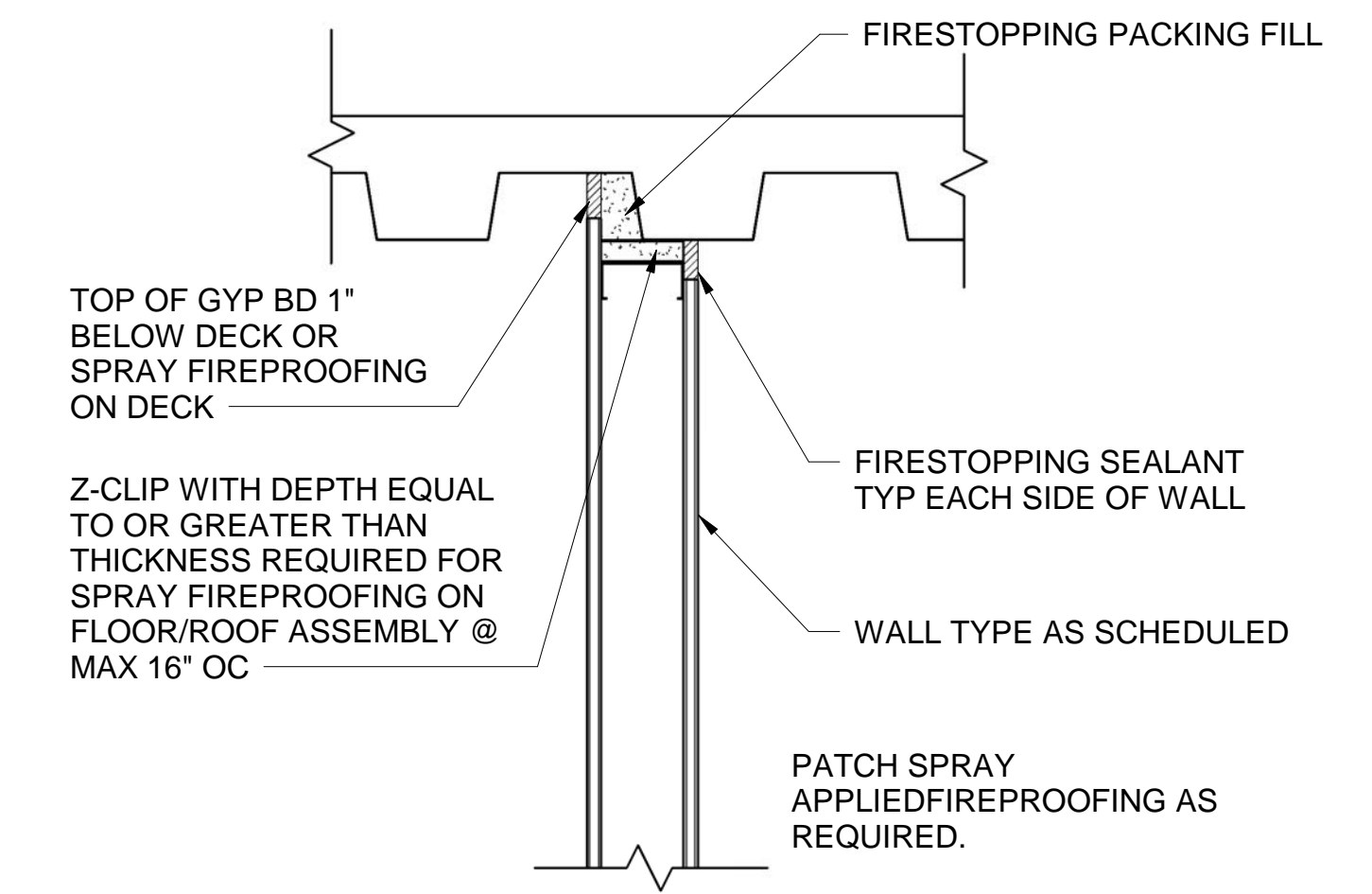


2 SMOKE PARTITION / NON-RATED GYP PARTITION
AE520 SCALE: 1 1/2" = 1'-0"



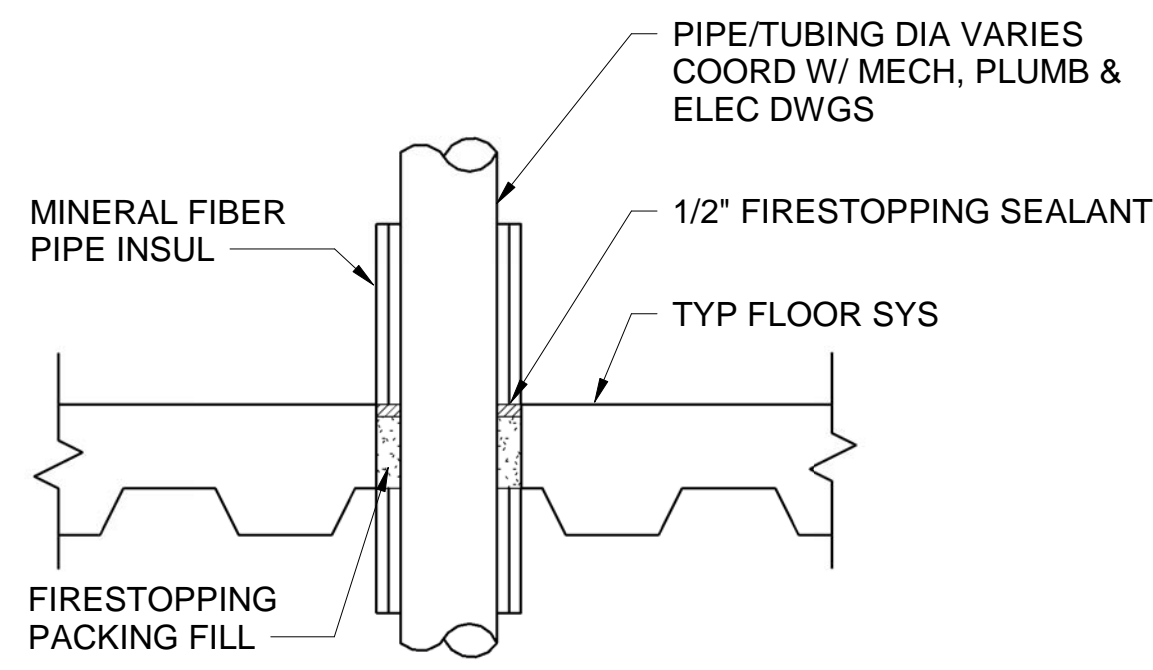
(SIM UL HW-D-0110)

3 1 & 2 HOUR FIRE RATED CMU/REINFORCED CMU PARTITION JOINT
AE520 SCALE: 1 1/2" = 1'-0"

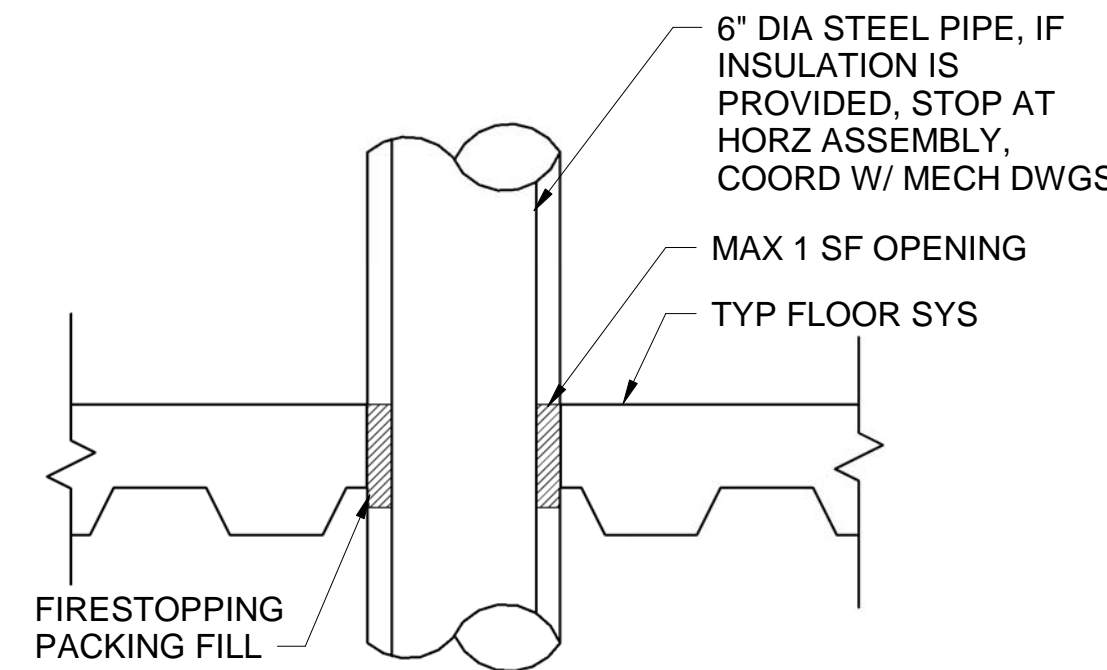


(SIM UL HW-D-0042 AND 0099)

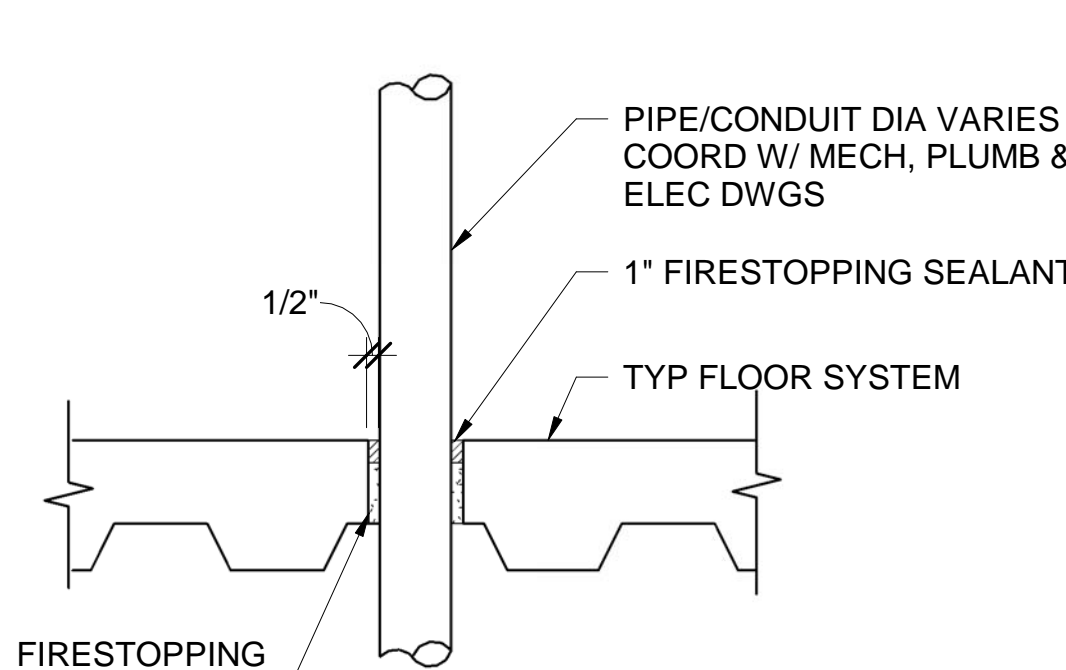
4 1 OR 2 HOUR FIRE RATED GYP PARTITION
AE520 SCALE: 1 1/2" = 1'-0"



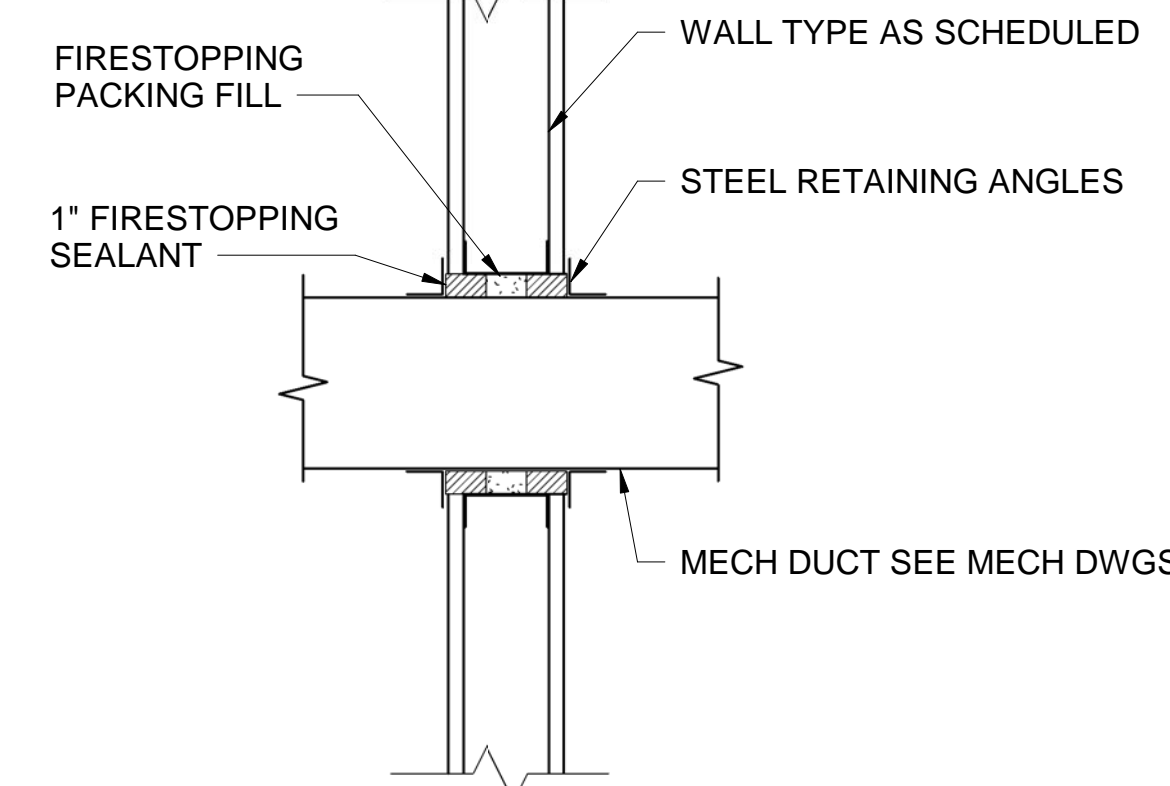
A PIPING/TUBING FLOOR PENETRATION W/ F AND T-RATING (4" OR SMALLER)
(SIM UL C-AJ-1506)



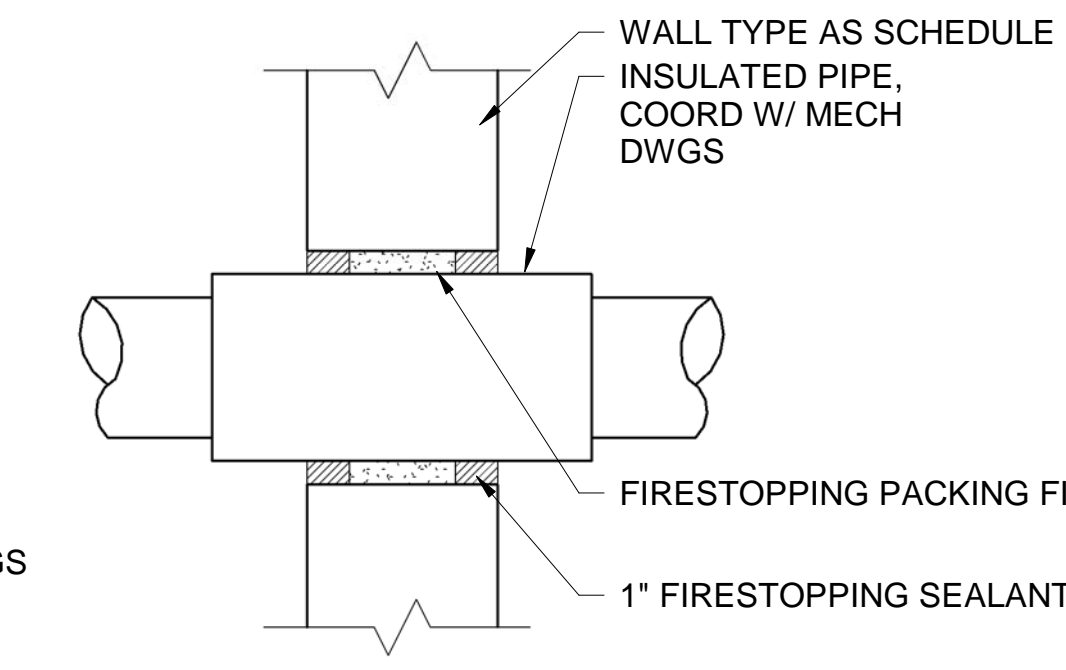
B 6" PIPE FLOOR PENETRATION



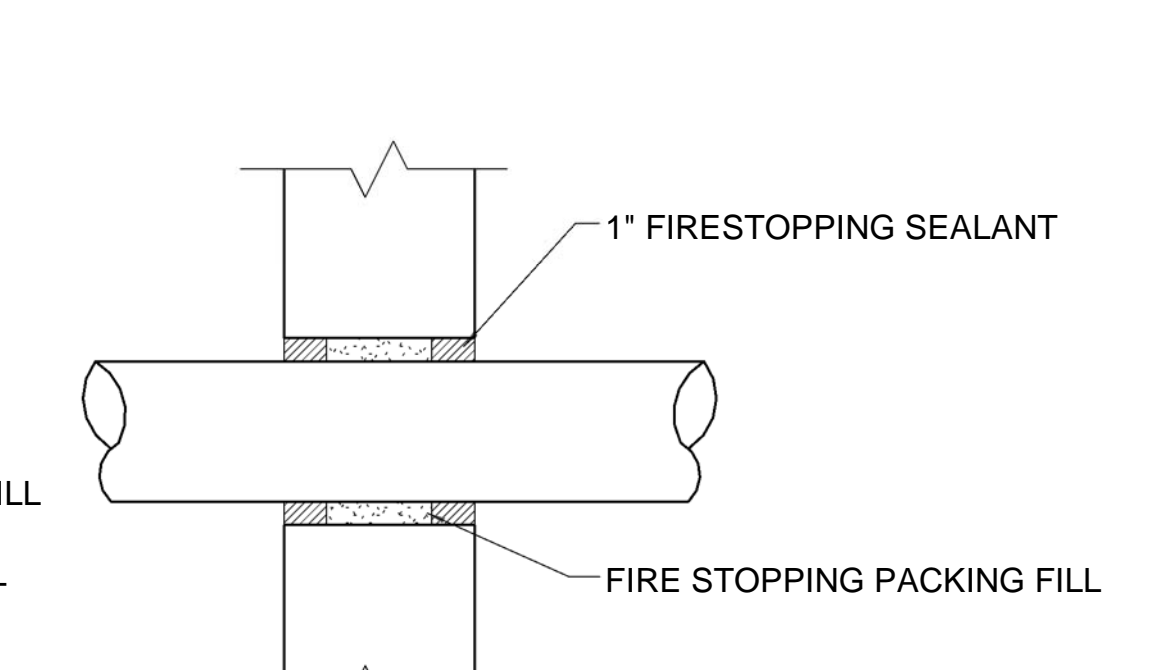
C PIPE/CONDUIT FLOOR PENETRATION W/ F-RATING ONLY (4" OR SMALLER)
(SIM UL C-AJ-1080)



D DUCT/WALL PENETRATION
(SIM UL W-L-7025 GYP BD)
(SIM UL W-J-7007 CMU)

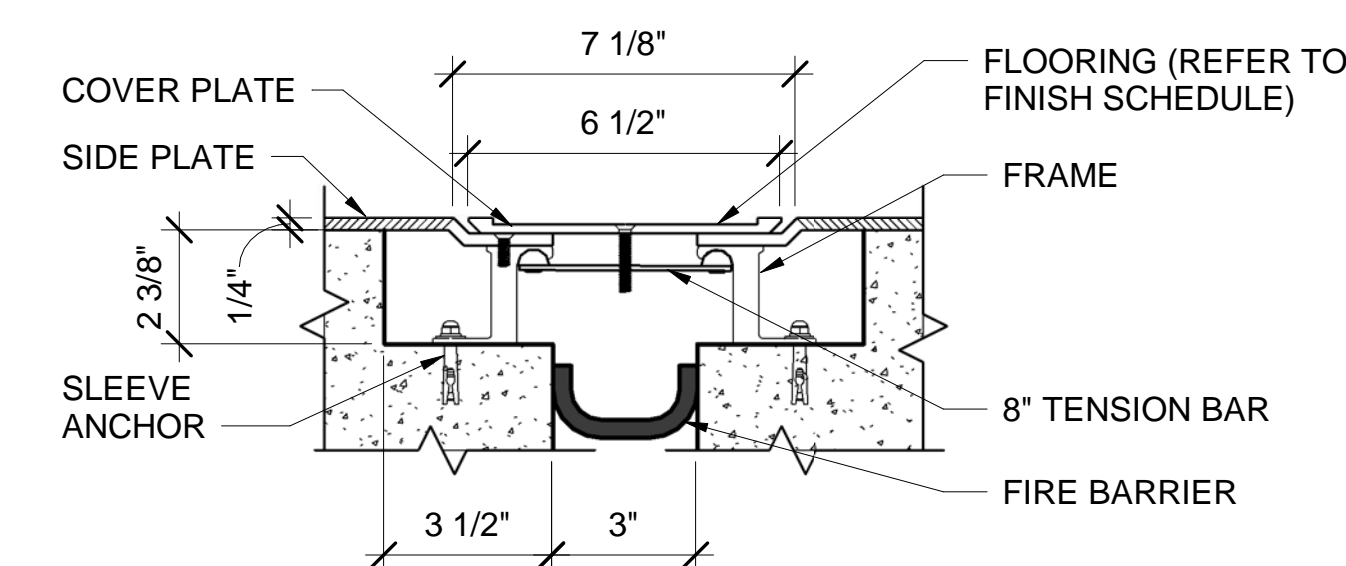


E INSULATED PIPE WALL PENETRATION
(SIM UL W-L-5014 GYP BD)
(SIM UL C-AJ-5029 CMU)



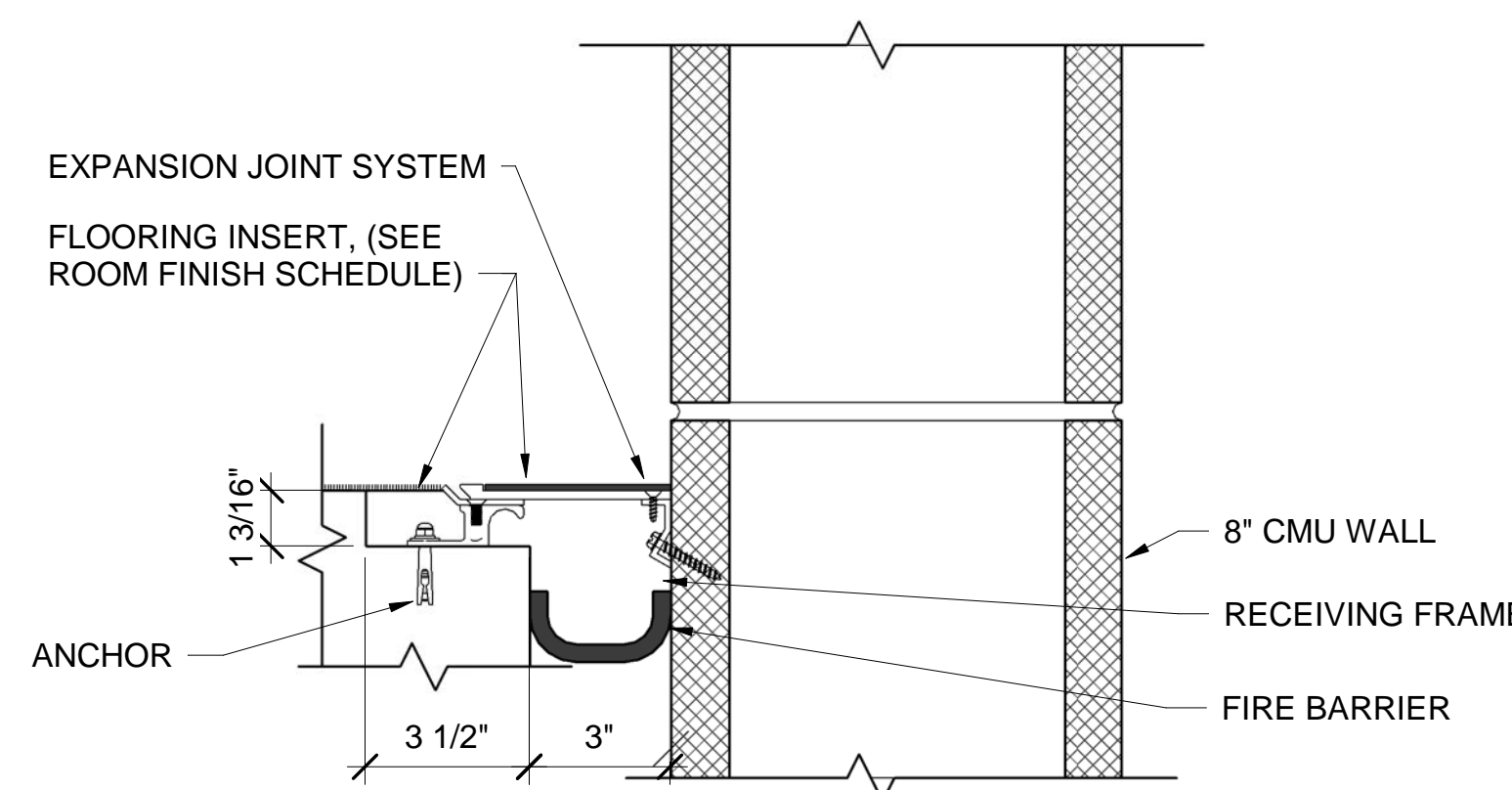
F PIPE & CONDUIT WALL PENETRATIONS
(SIM UL W-L-1001 GYP BD)
(SIM UL C-AJ-1080 CMU)

5 TYP FIRESTOPPING DETAILS
AE520 SCALE: 1 1/2" = 1'-0"

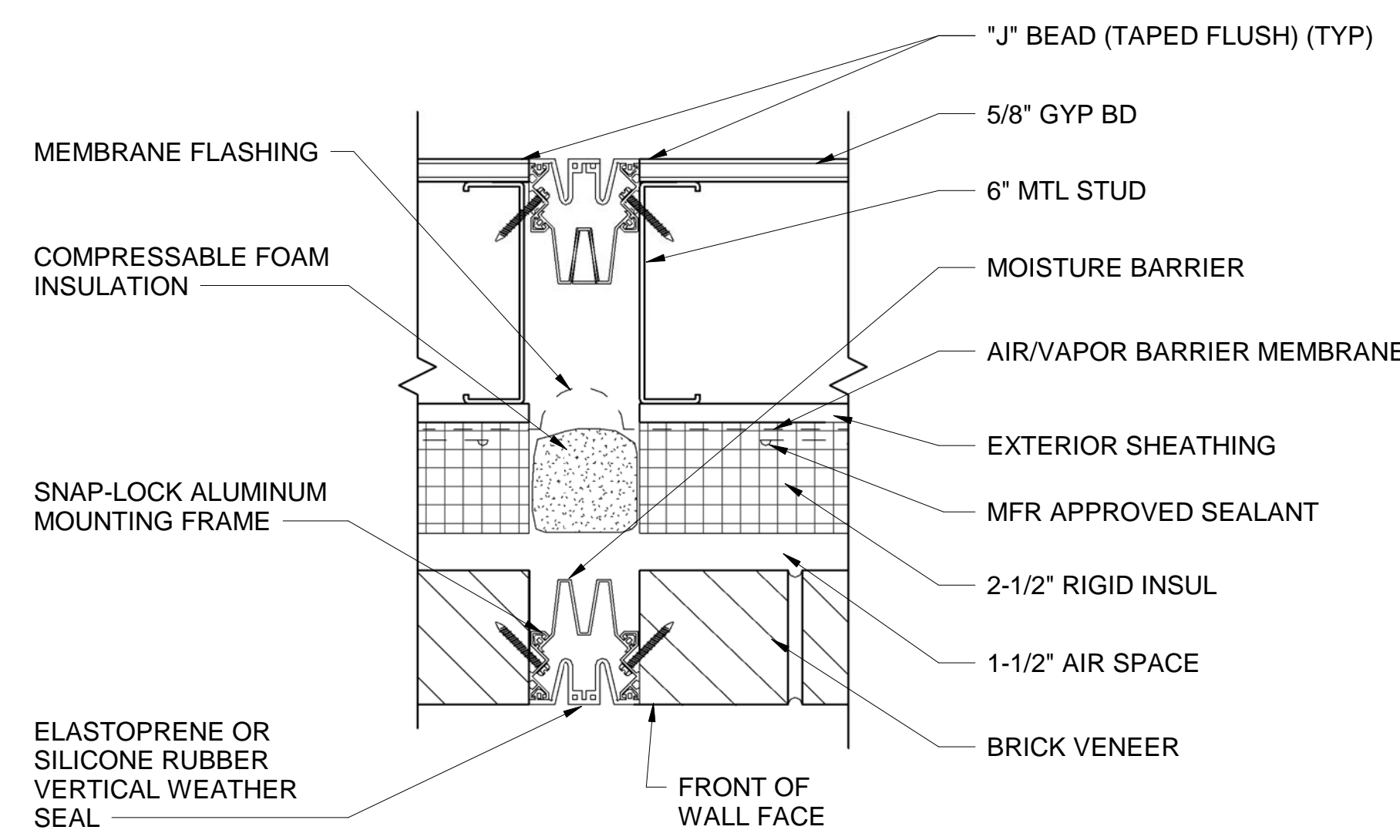


NOTE: RECESSED 1/8" FOR FOR RESILIENT TILE

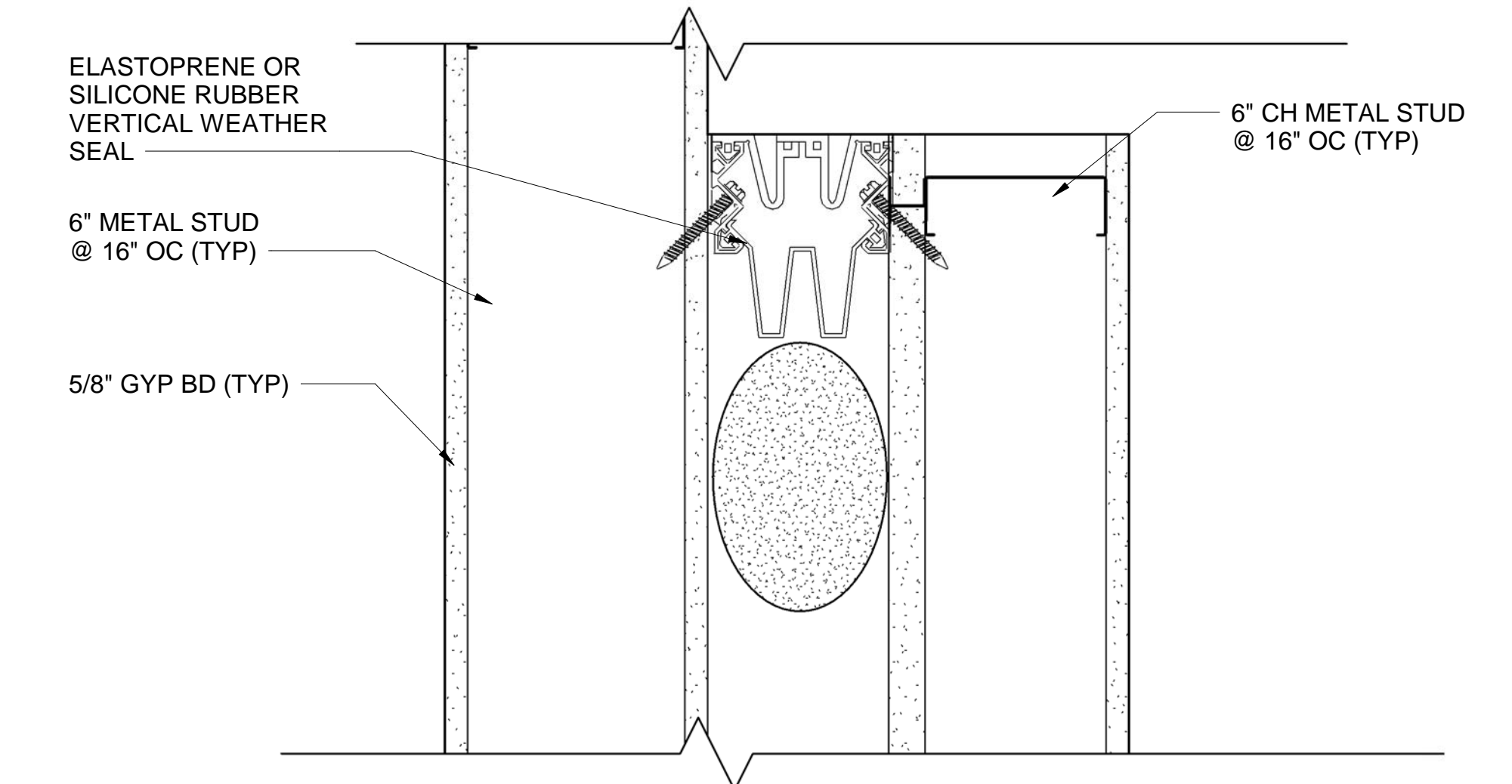
6 FLOOR EXPANSION JOINT SECTION
AE103 AE520 SCALE: 3" = 1'-0"



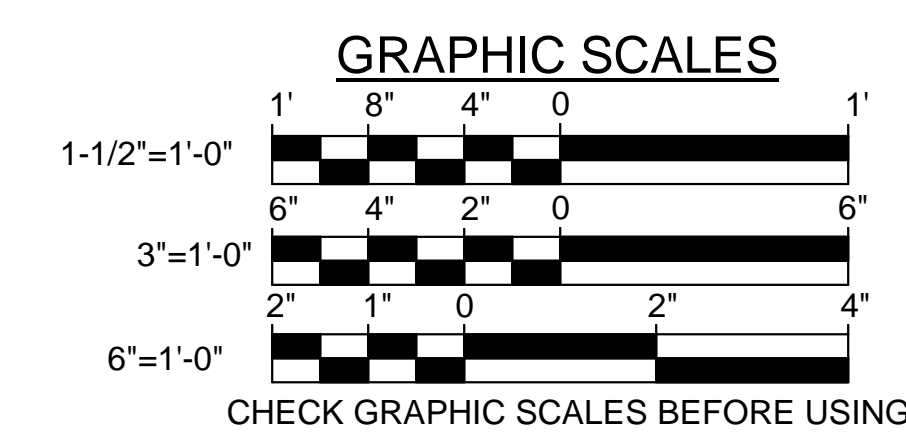
7 FLOOR/WALL EXPANSION JOINT SECTION
AE103 AE520 SCALE: 3" = 1'-0"



8 EXTERIOR WALL EXPANSION JOINT SECTION
AE520 SCALE: 3" = 1'-0"



10 FIREWALL DETAIL - EXPANSION JOINT DETAIL
AE547 AE520 SCALE: 3" = 1'-0"



		<p>STATE OF MAINE PUBLIC SCHOOL PROJECT</p> <p>TITLE PORTLAND PUBLIC SCHOOLS NEW FRED P. HALL ELEMENTARY SCHOOL LOCATION 23 ORONO ROAD, PORTLAND, ME</p> <p>TITLE THIS DWG. EXPANSION JOINT DETAILS, FLOOR AND WALL PENETRATION DETAILS</p>
<p>DRAWN BY: DEM</p> <p>CHECK BY: TGB</p>	<p>DATE: 03/17/17</p>	<p>OAK POINT ASSOCIATES</p> <p>AE520</p> <p>169 OF 312</p>