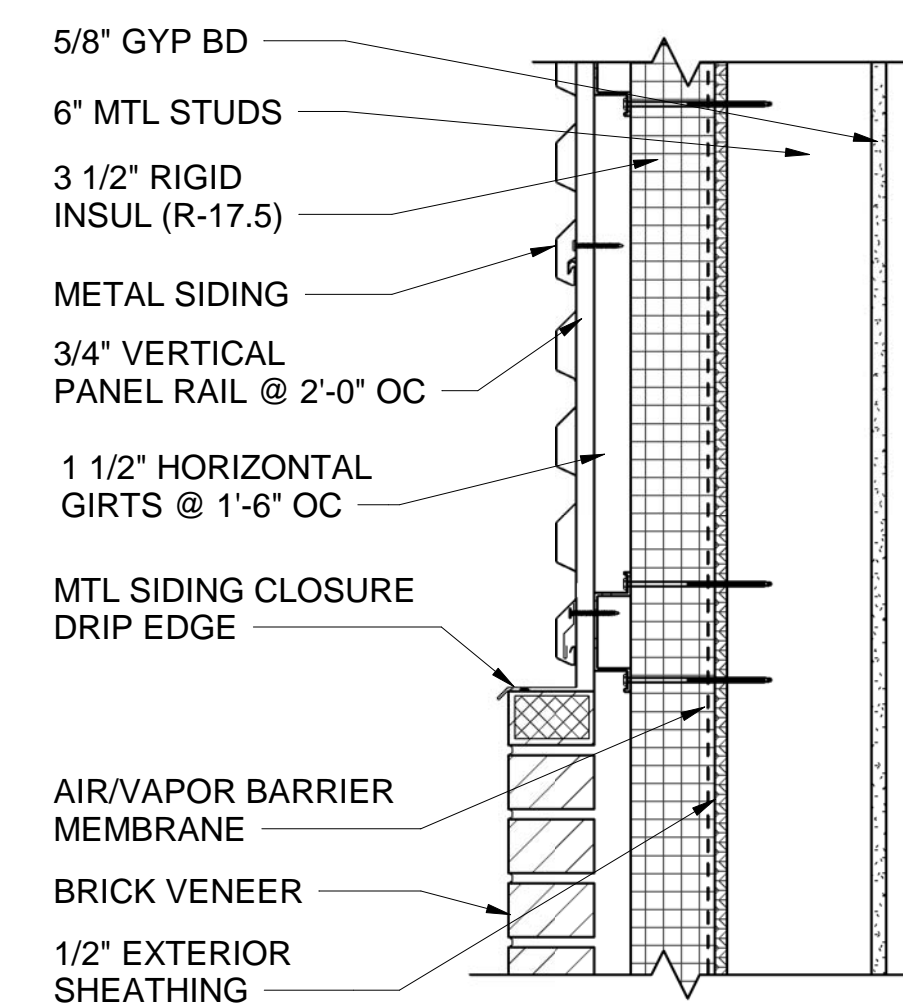
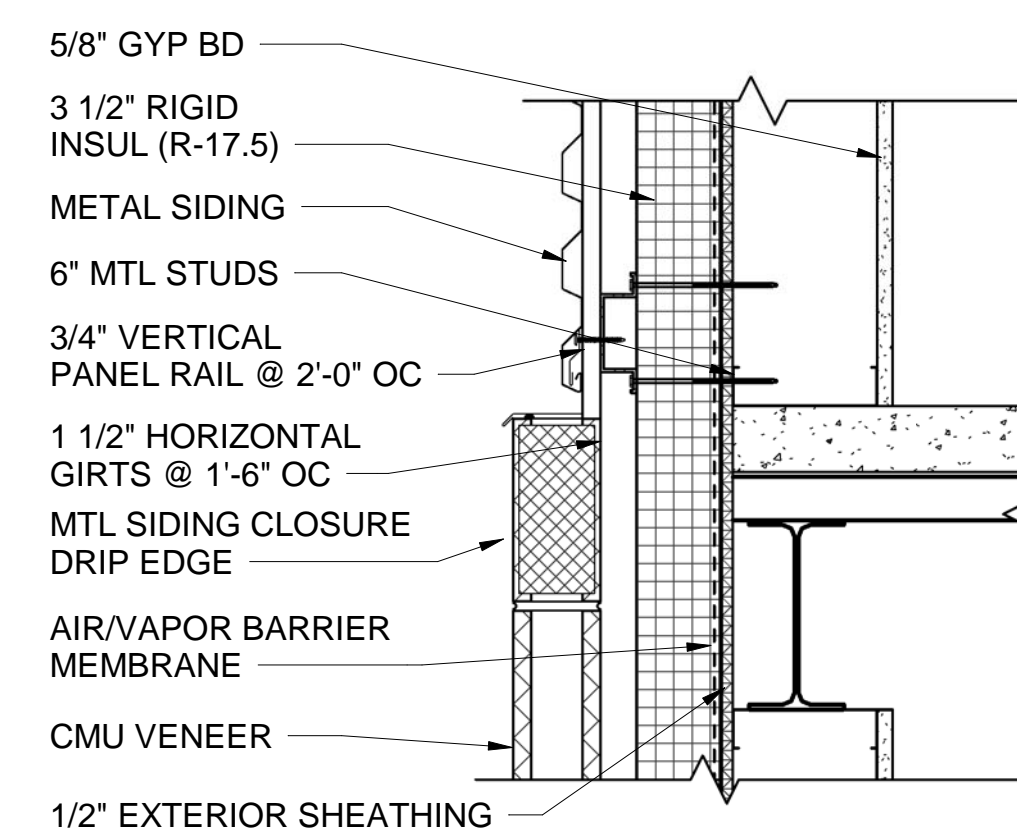


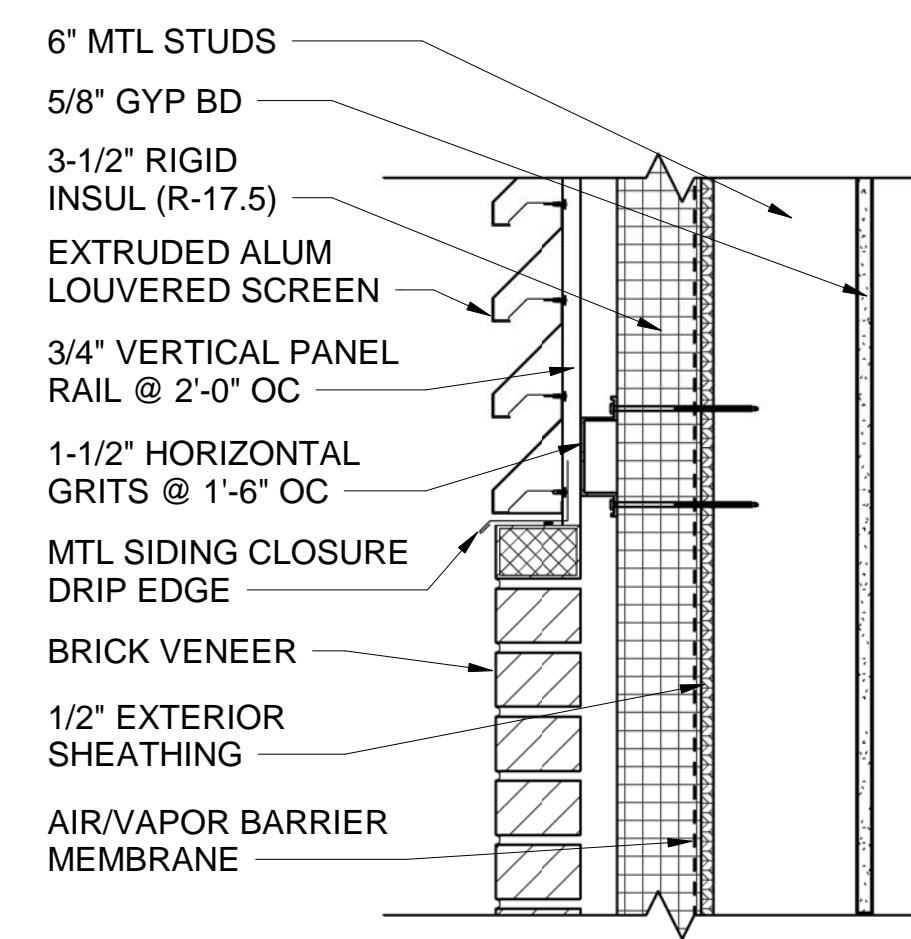
1 TYP MTL SIDING DETAIL
AE510 SCALE: 3" = 1'-0"



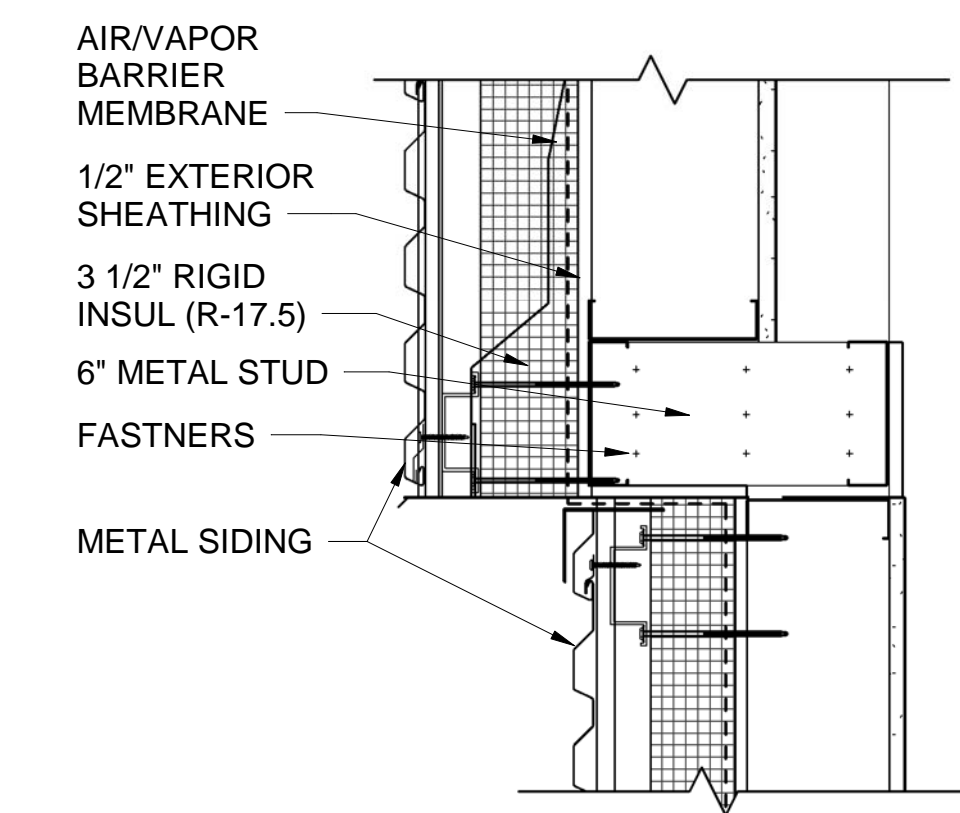
2 METAL TO BRICK SIDING TRANSITION DETAIL (TYP)
AE201 AE510 SCALE: 1 1/2" = 1'-0"



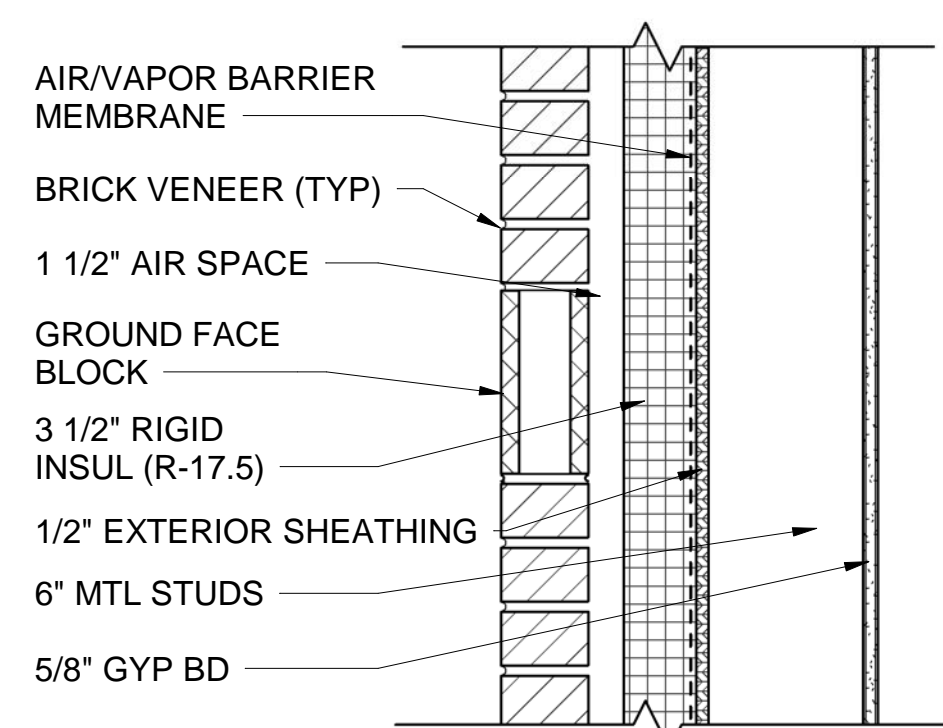
3 METAL TO BLOCK SIDING TRANSITION DETAIL (TYP)
AE314 AE510 SCALE: 1 1/2" = 1'-0"



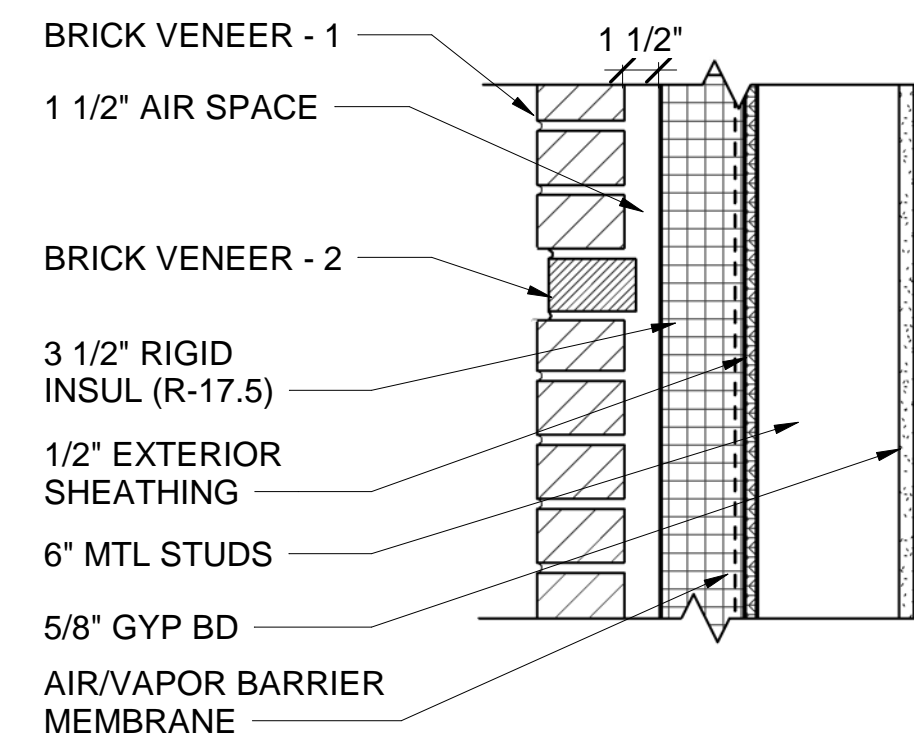
4 LOUVER WALL TRANSITION DETAIL
AE314 AE510 SCALE: 1 1/2" = 1'-0"



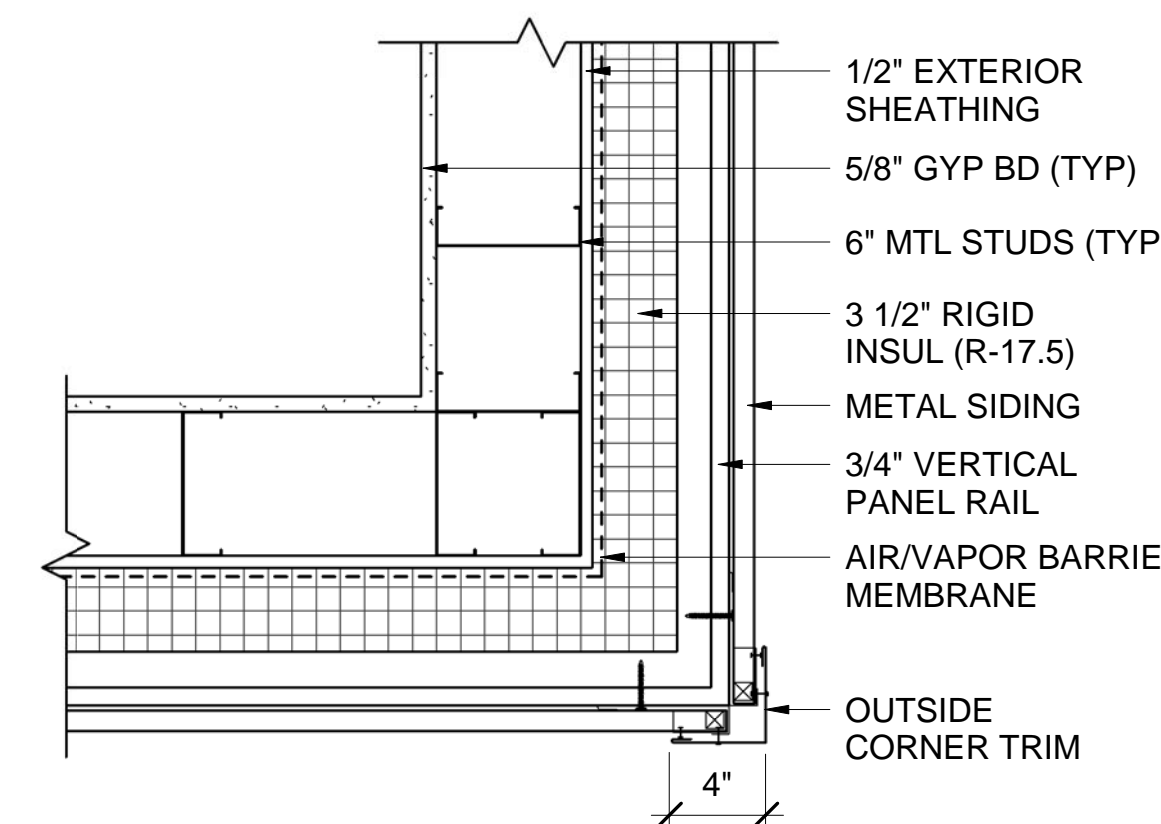
5 CANTILEVER METAL SIDING DETAIL
AE318 AE510 SCALE: 1 1/2" = 1'-0"



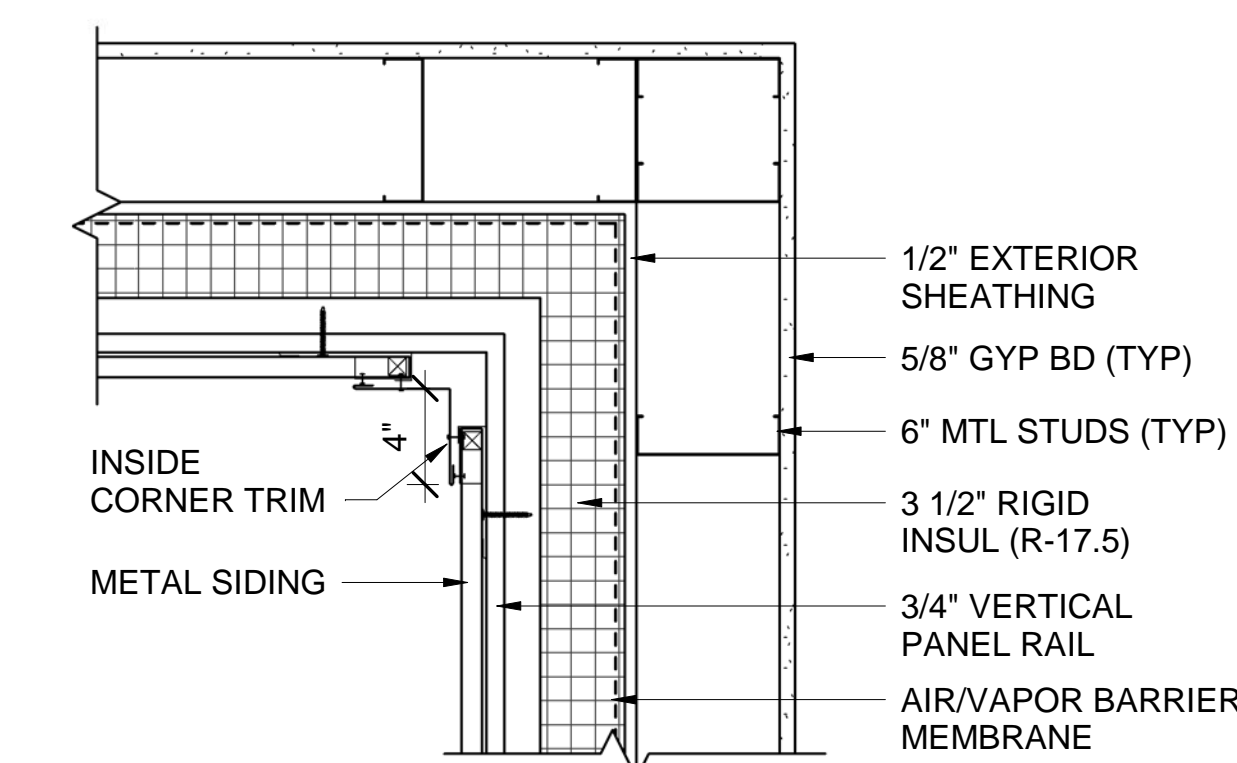
6 BLOCK ACCENT BAND DETAIL (TYP)
AE311 AE510 SCALE: 1 1/2" = 1'-0"



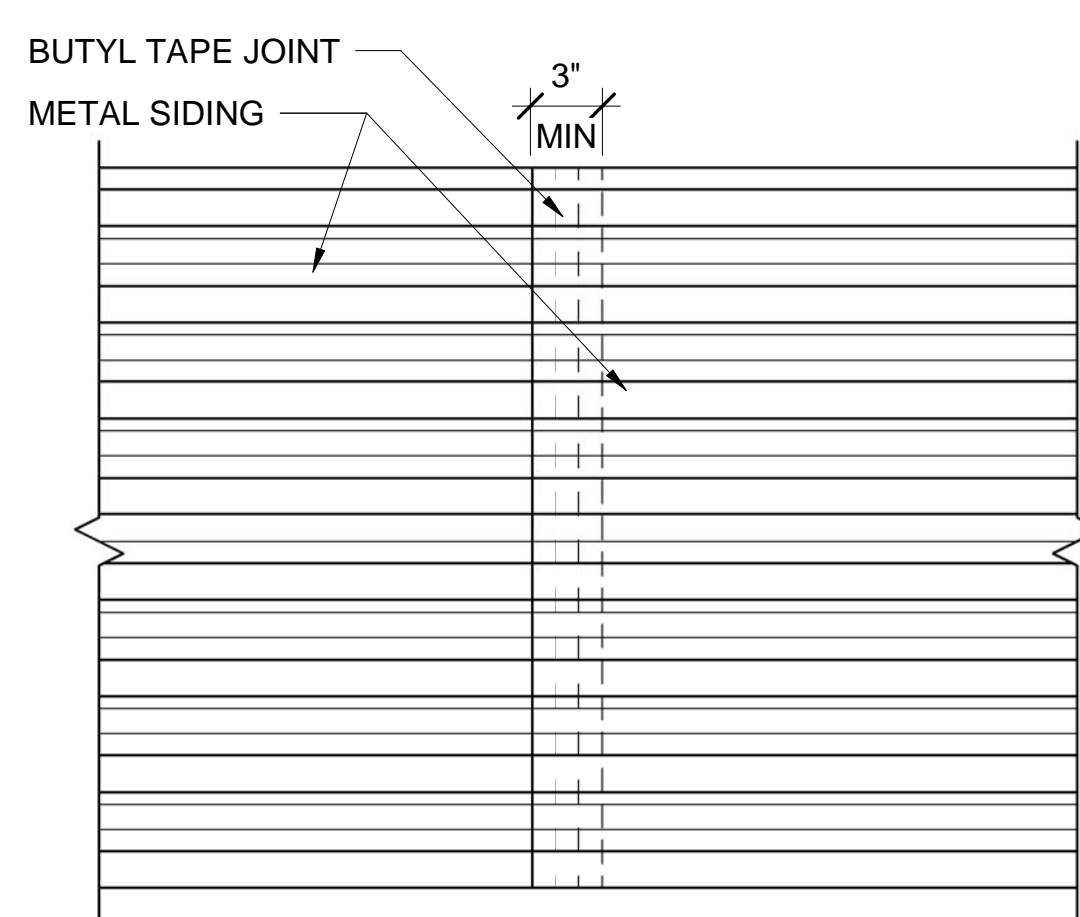
7 BRICK ACCENT BAND DETAIL (TYP)
AE201 AE510 SCALE: 1 1/2" = 1'-0"



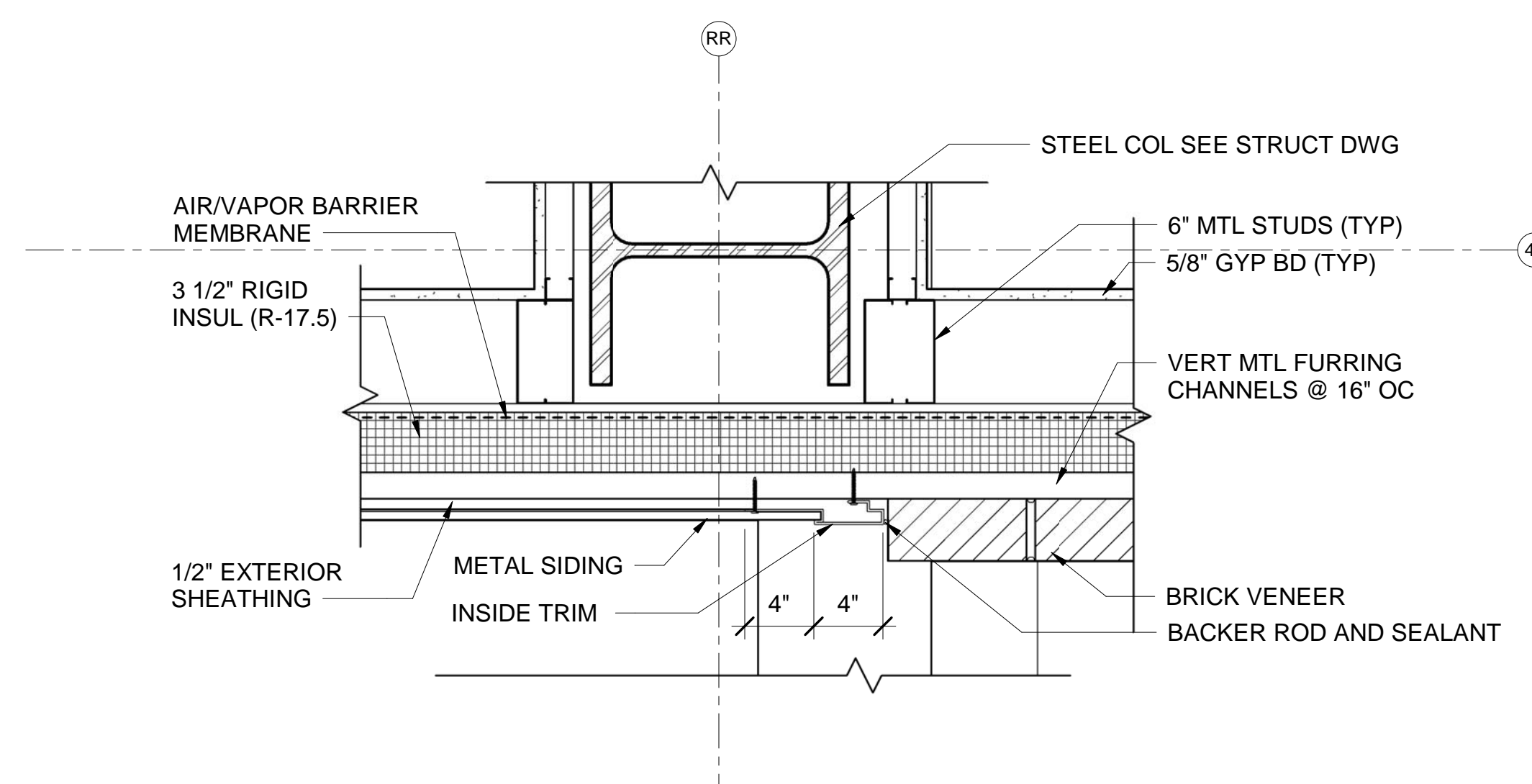
8 OUTSIDE METAL CORNER DETAIL (TYP)
AE201 AE510 SCALE: 1 1/2" = 1'-0"



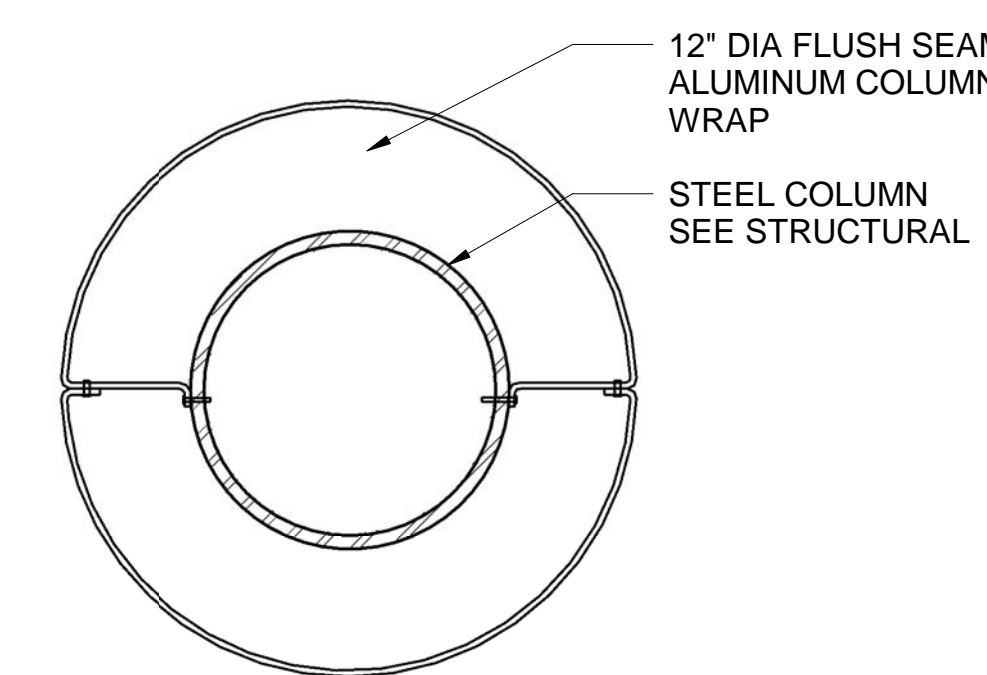
9 INSIDE METAL CORNER DETAIL (TYP)
AE510 SCALE: 1 1/2" = 1'-0"



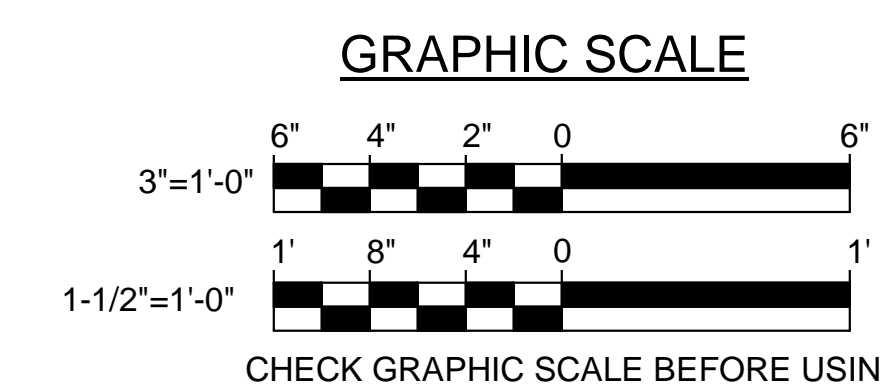
10 OVERLAP METAL SIDING DETAIL (TYP)
AE201 AE510 SCALE: 1 1/2" = 1'-0"



11 METAL SIDING TRIM DETAIL
AE201 AE510 SCALE: 1 1/2" = 1'-0"



12 ALUMINUM COLUMN WRAP DETAIL
AE101 AE510 SCALE: 3" = 1'-0"



		STATE OF MAINE PUBLIC SCHOOL PROJECT TITLE: PORTLAND PUBLIC SCHOOLS NEW FRED P. HALL ELEMENTARY SCHOOL LOCATION: 23 ORONO ROAD, PORTLAND, ME TITLE THIS DWG: SIDING DETAILS	
DRAWN BY: DEM CHECK BY: TGB	BY NO. DATE: 03/17/17		DRAWING NO. AE510 SHEET NO.
NO. DATE DESCRIPTION REVISIONS		231 Main Street, Biddeford, Maine 04005 207.283.9192 168 OF 312	