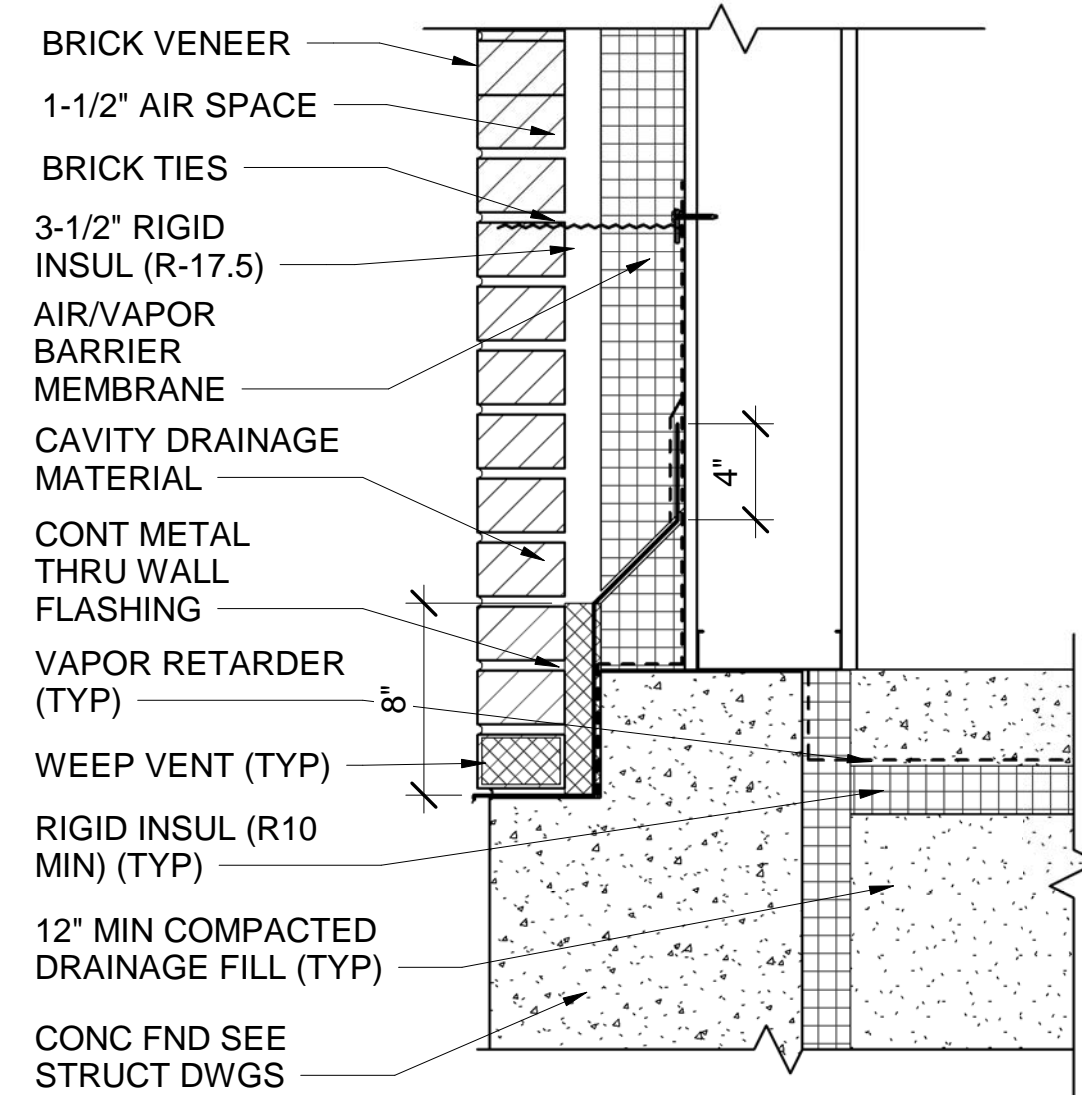
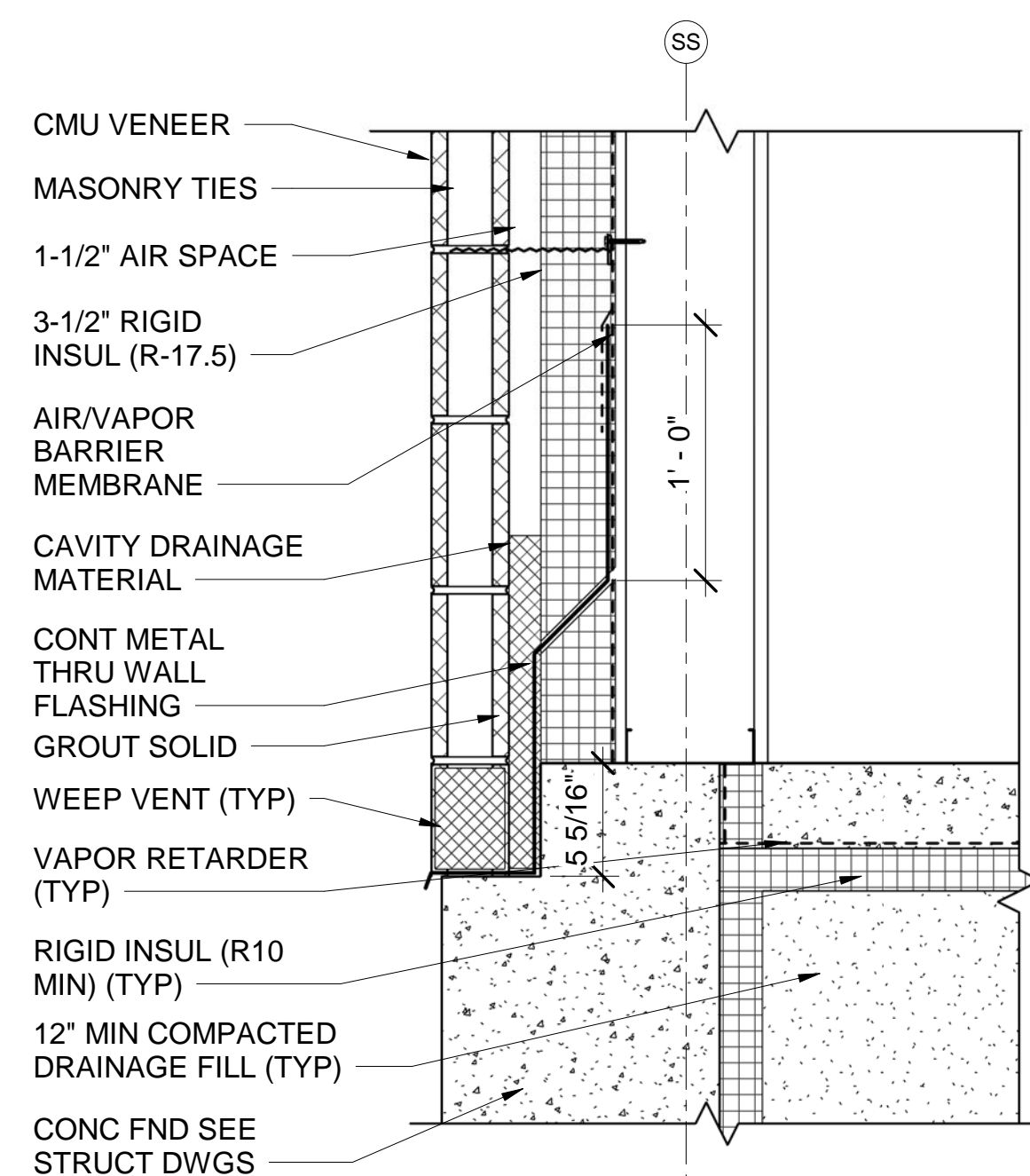


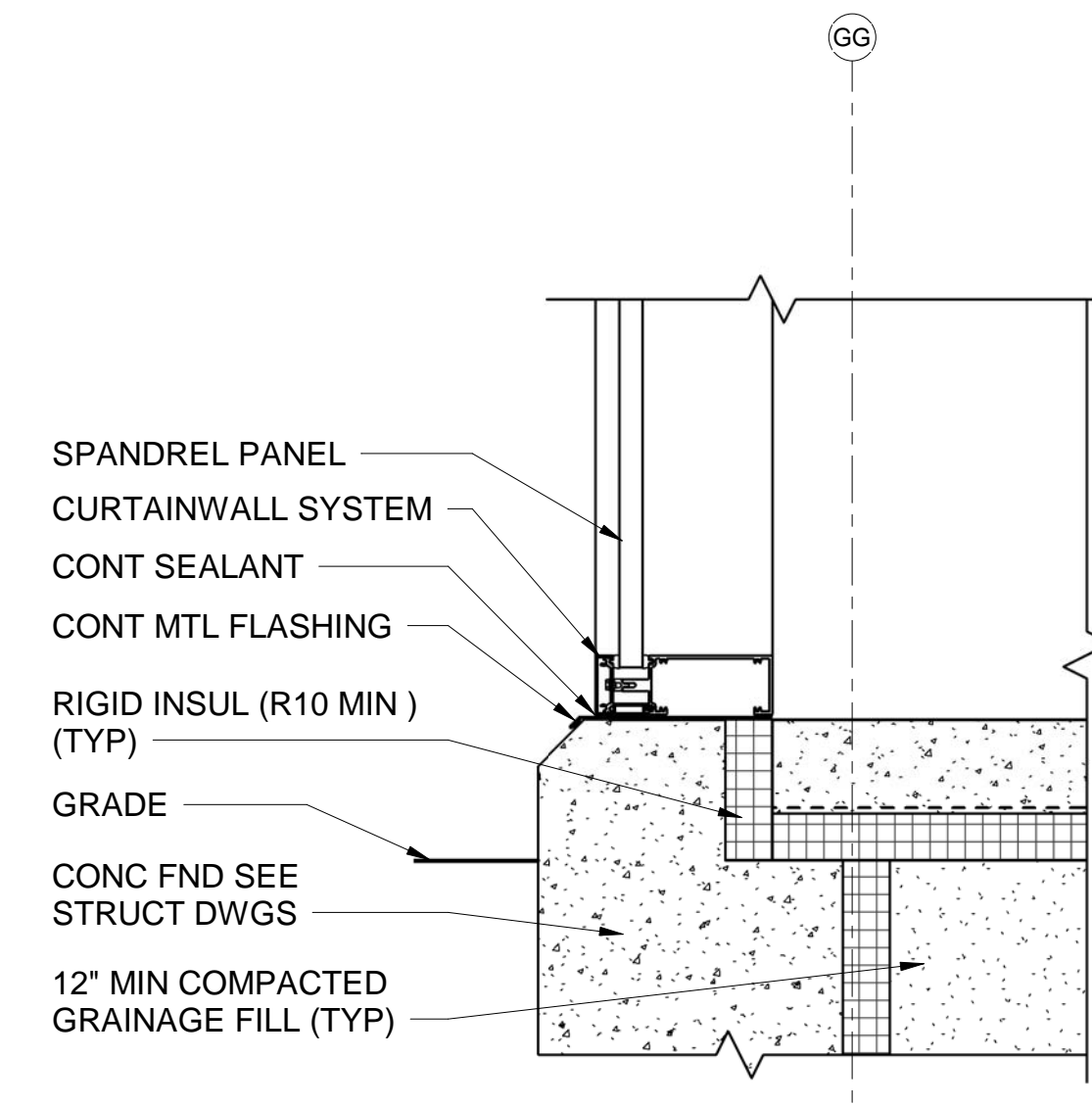
1 DOOR SILL FOUNDATION DETAIL (TYP)
 AE310/AE504 SCALE: 1 1/2" = 1'-0"



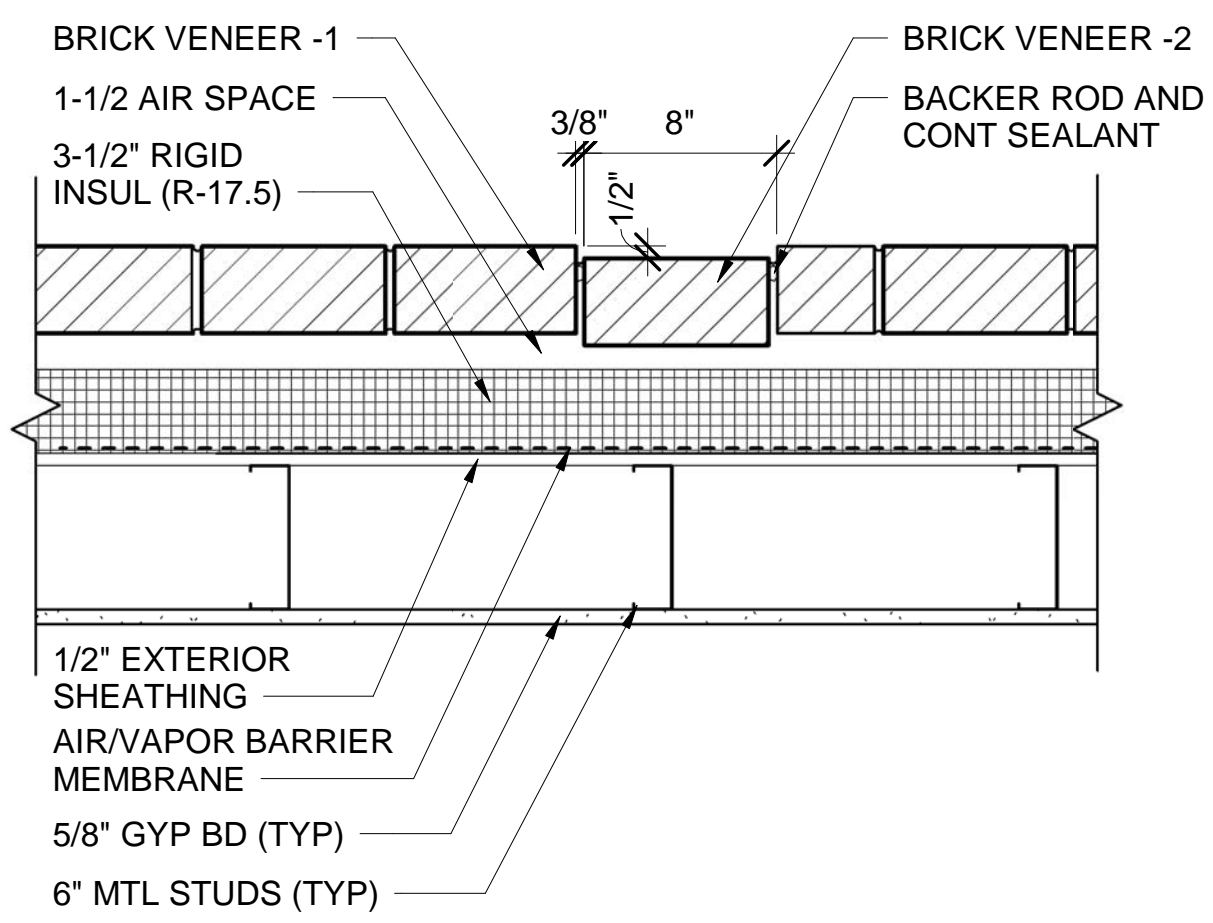
2 BRICK SIDING FOUNDATION DETAIL (TYP)
 AE310/AE504 SCALE: 1 1/2" = 1'-0"



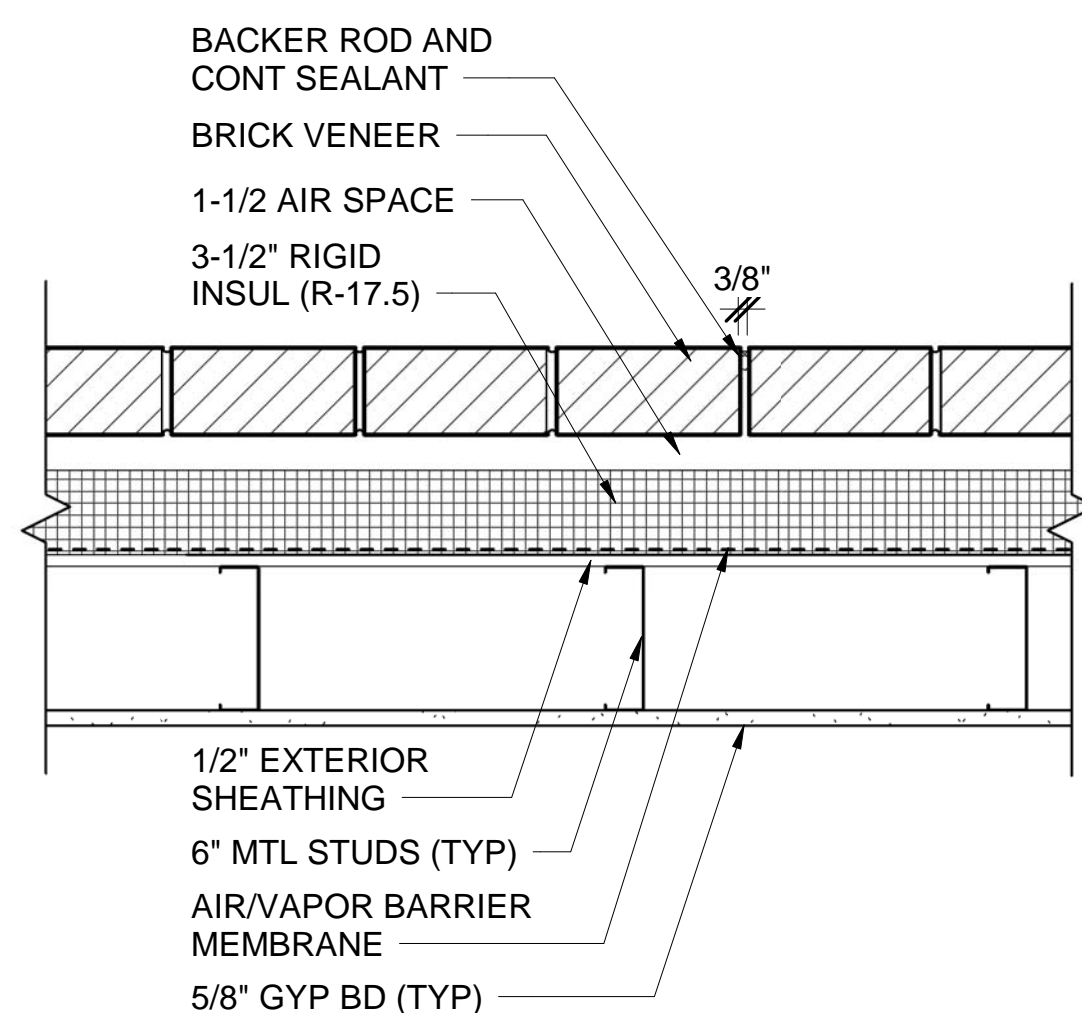
3 BLOCK SIDING FOUNDATION DETAIL (TYP)
 AE313/AE504 SCALE: 1 1/2" = 1'-0"



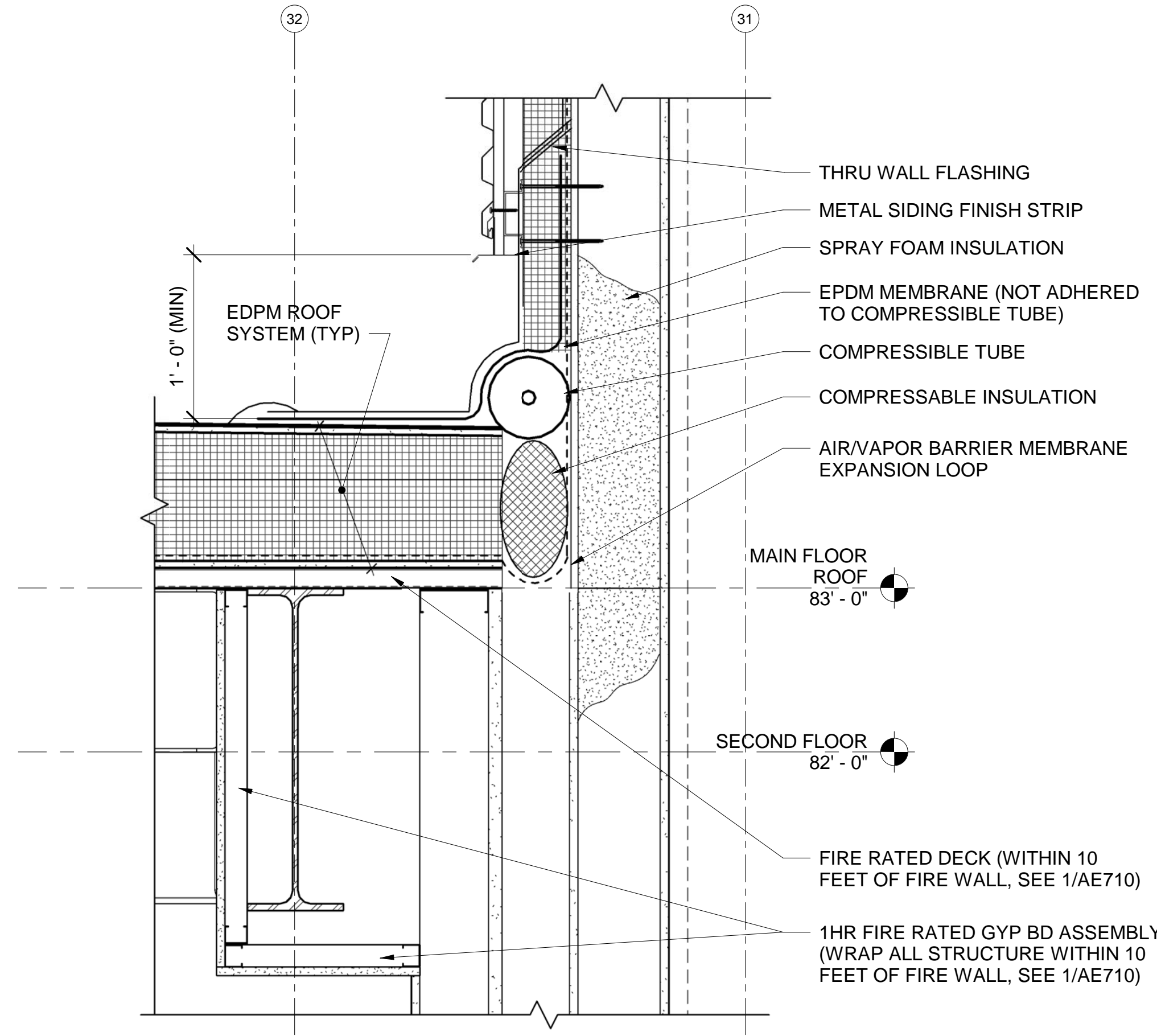
4 CURTAINWALL SILL FOUNDATION DETAIL
 AE620/AE504 SCALE: 1 1/2" = 1'-0"



5 RECESSED BRICK CONTROL JOINT
 AE504 SCALE: 1 1/2" = 1'-0"



6 TYP MASONRY CONTROL JOINT
 AE504 SCALE: 1 1/2" = 1'-0"



7 FIRE WALL EXPANSION JOINT ROOF TO WALL DETAIL
 AE320/AE504 SCALE: 1 1/2" = 1'-0"



		STATE OF MAINE PUBLIC SCHOOL PROJECT TITLE: PORTLAND PUBLIC SCHOOLS NEW FRED P. HALL ELEMENTARY SCHOOL LOCATION: 23 ORONO ROAD, PORTLAND, ME TITLE THIS DWG: WALL DETAILS	
DRAWN BY: DEM CHECK BY: TGB	NO. DATE DESCRIPTION REVISIONS	BY NO. DATE 03/17/17	OAK POINT ASSOCIATES AE504 SHEET NO. 167 OF 312