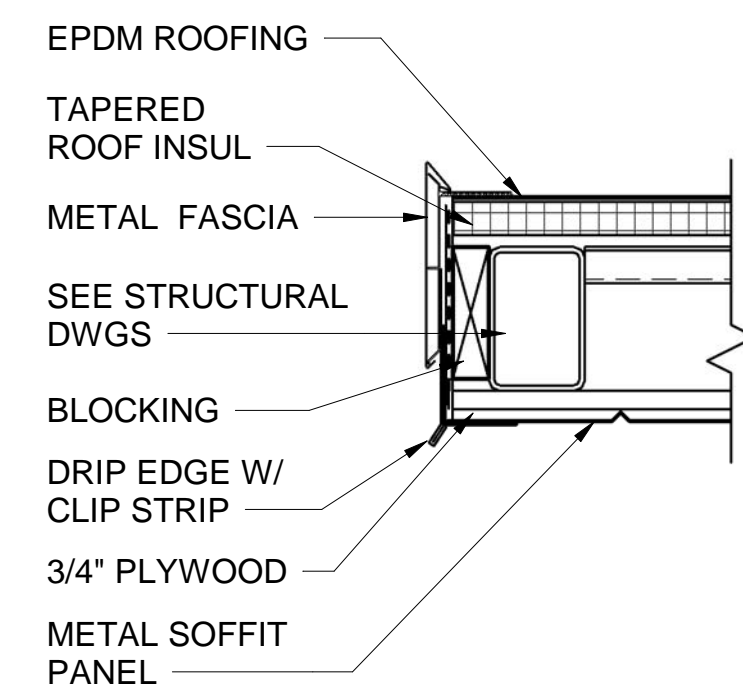
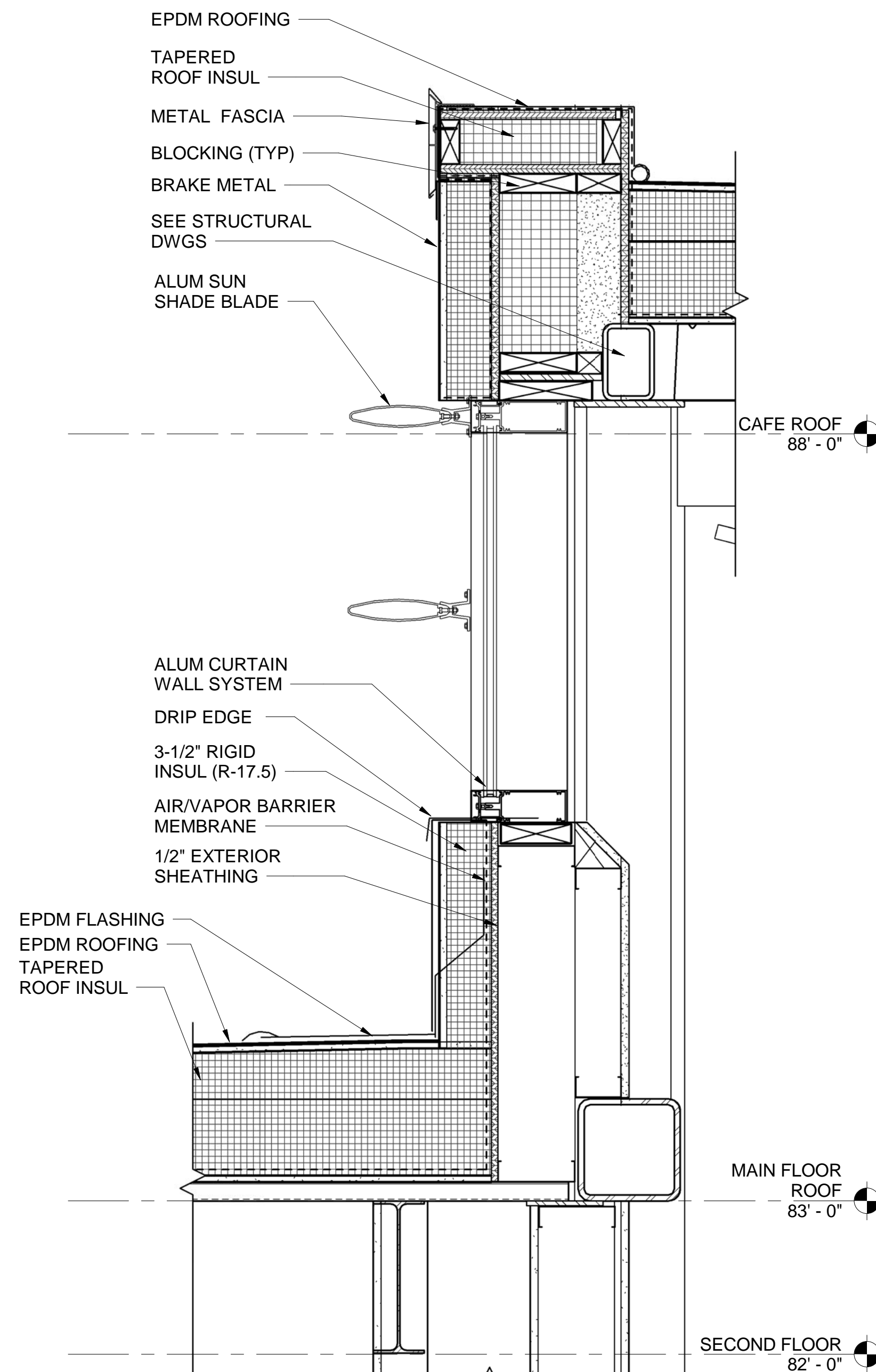


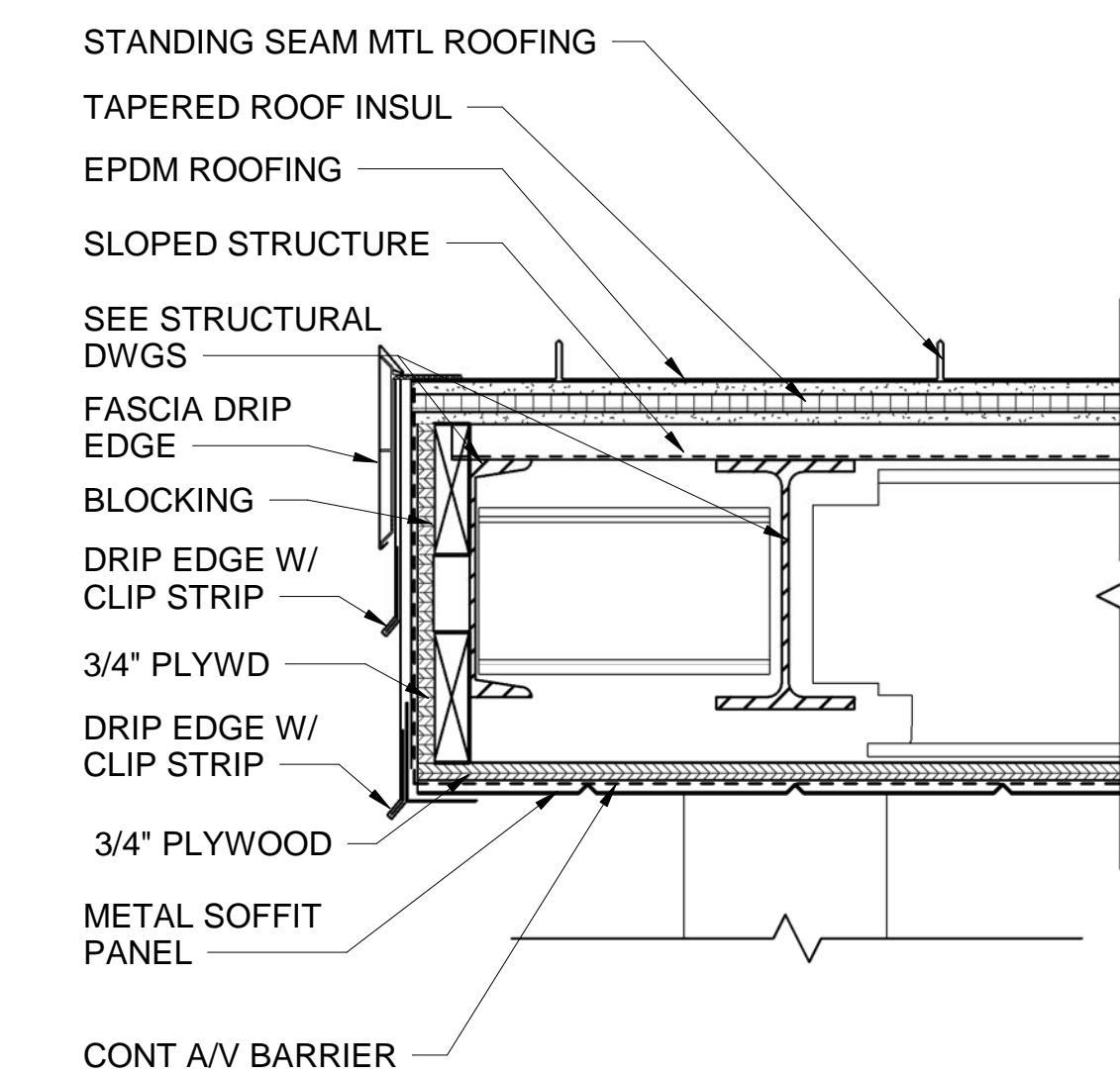
**1 ROOF EDGE DETAIL AT LOBBY CLEARSTORY**  
 AE310 AE502 SCALE: 1 1/2" = 1'-0"



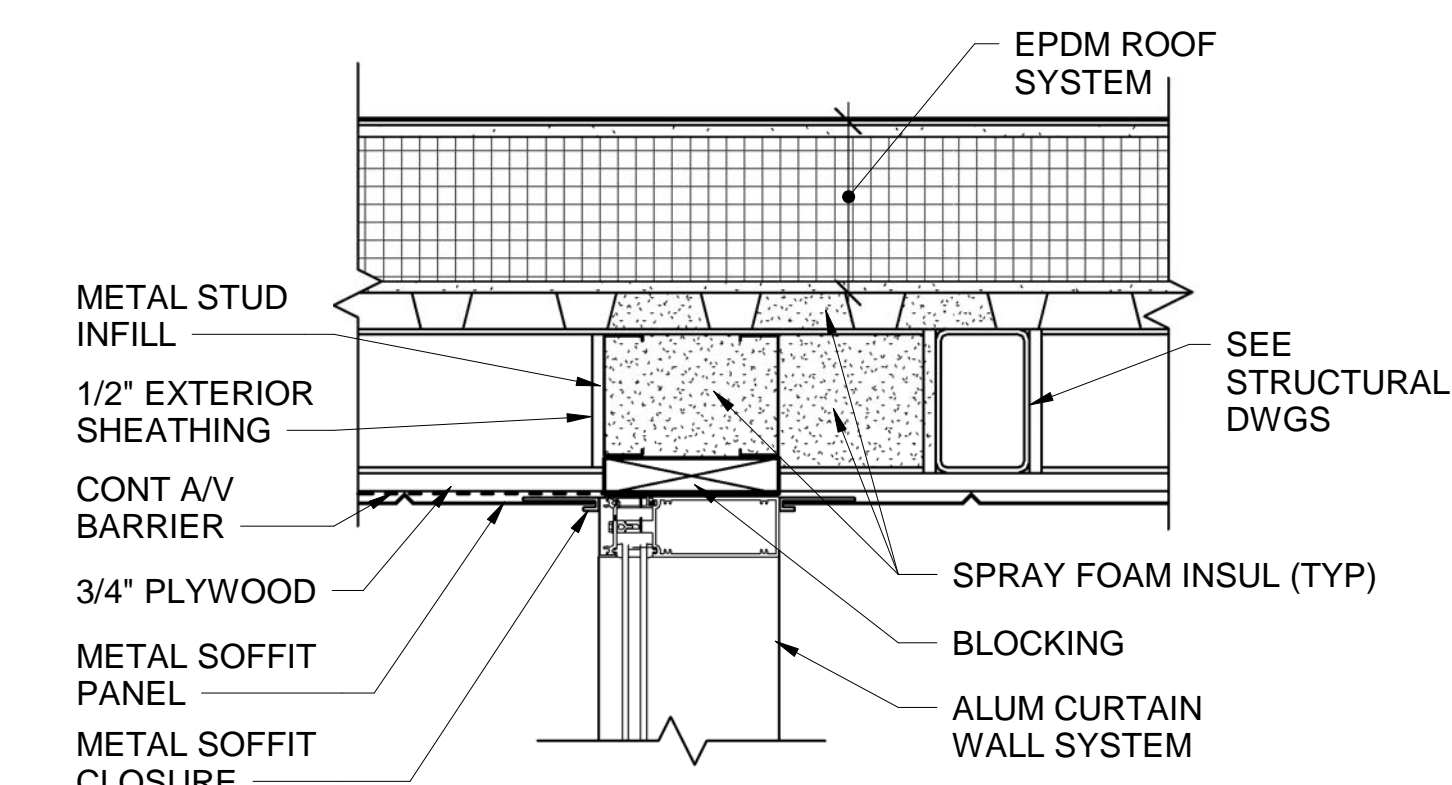
**2 TYP ROOF DETAIL AT CANOPY EDGE**  
 AE311 AE502 SCALE: 1 1/2" = 1'-0"



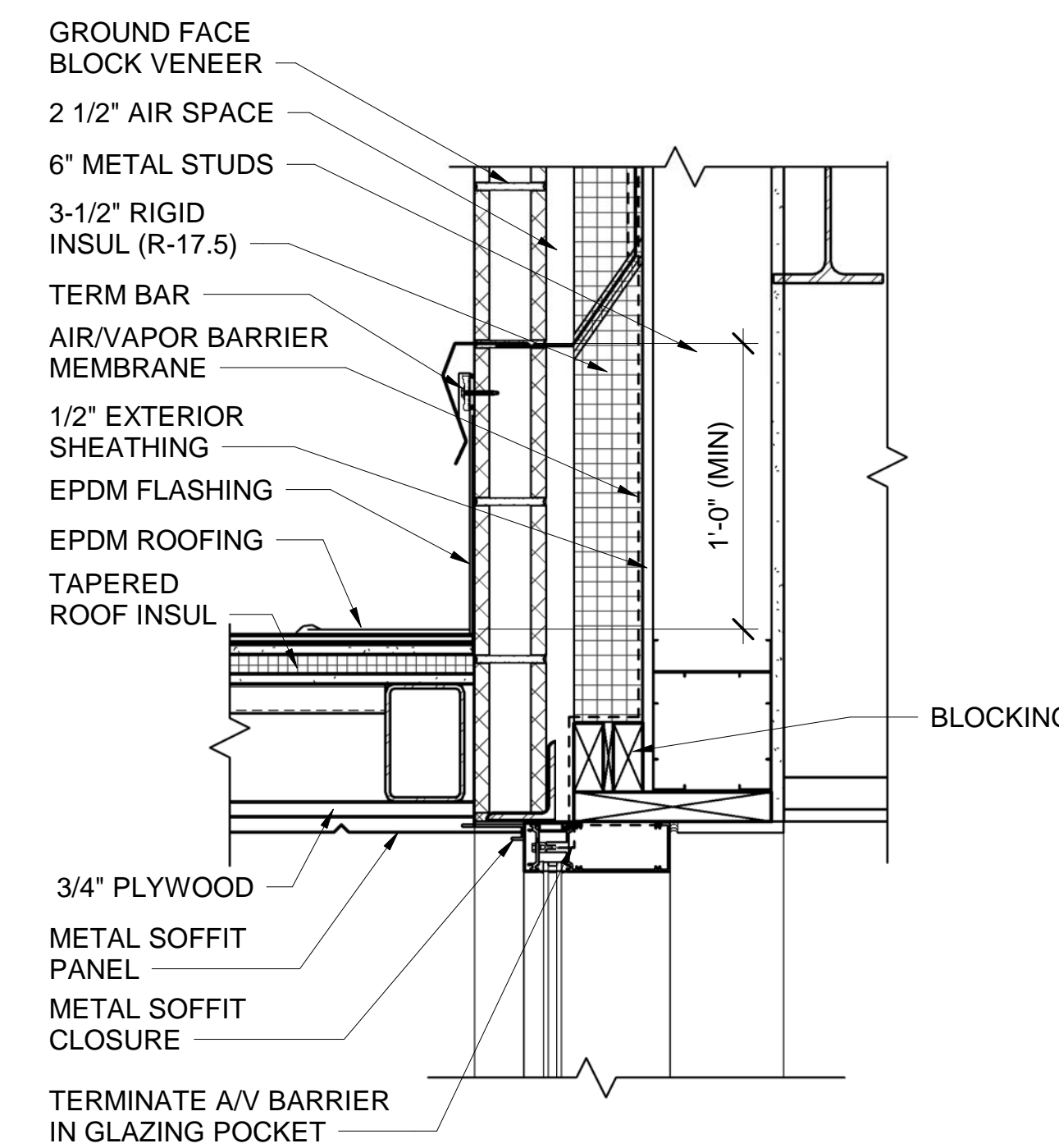
**3 LOBBY CLEARSTORY CONNECTION DETAIL**  
 AE317 AE502 SCALE: 1 1/2" = 1'-0"



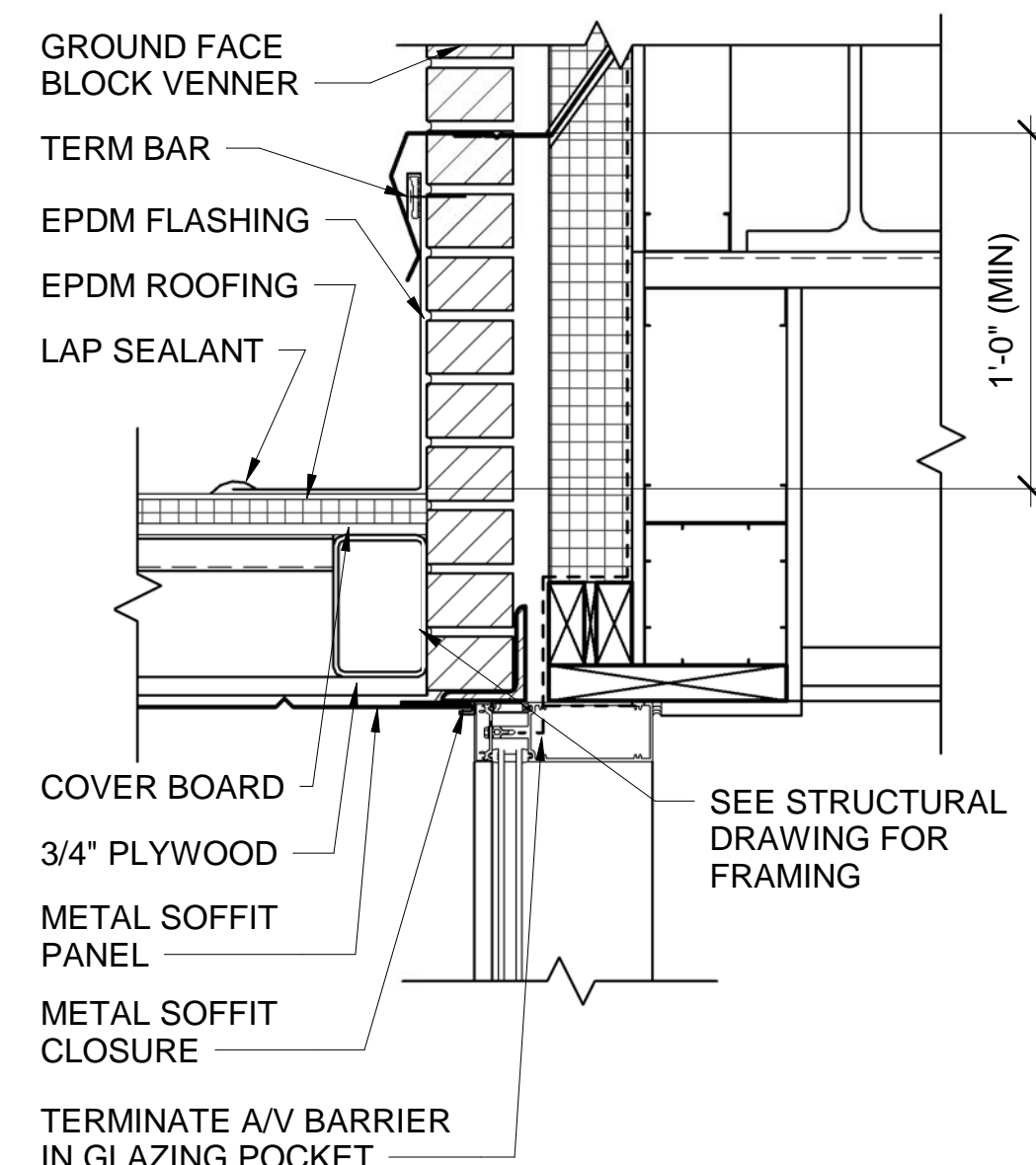
**4 VESTIBULE A01 CANOPY DETAIL**  
 AE310 AE502 SCALE: 1 1/2" = 1'-0"



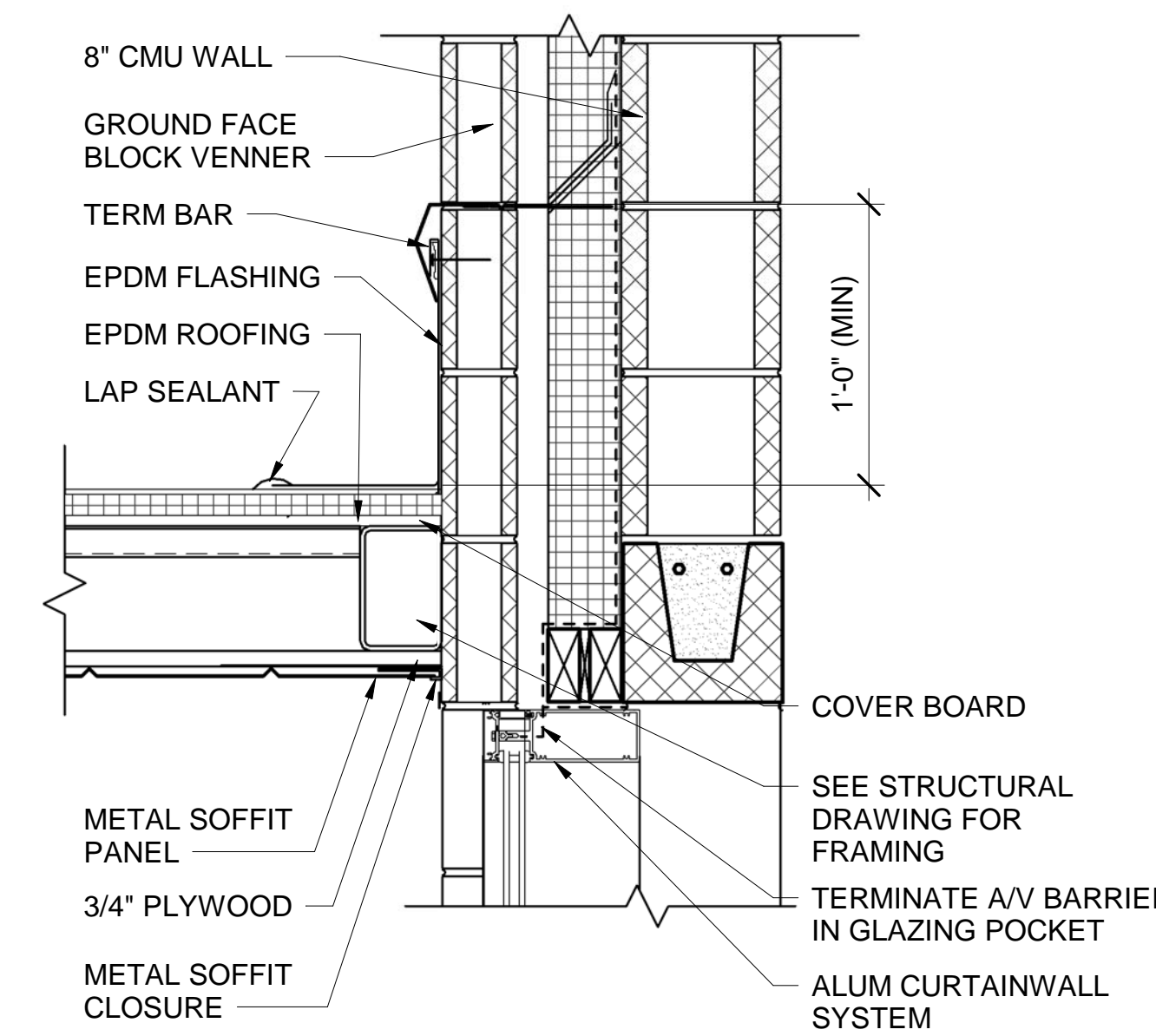
**5 CANOPY DETAIL AT ENTRY A20**  
 AE312 AE502 SCALE: 1 1/2" = 1'-0"



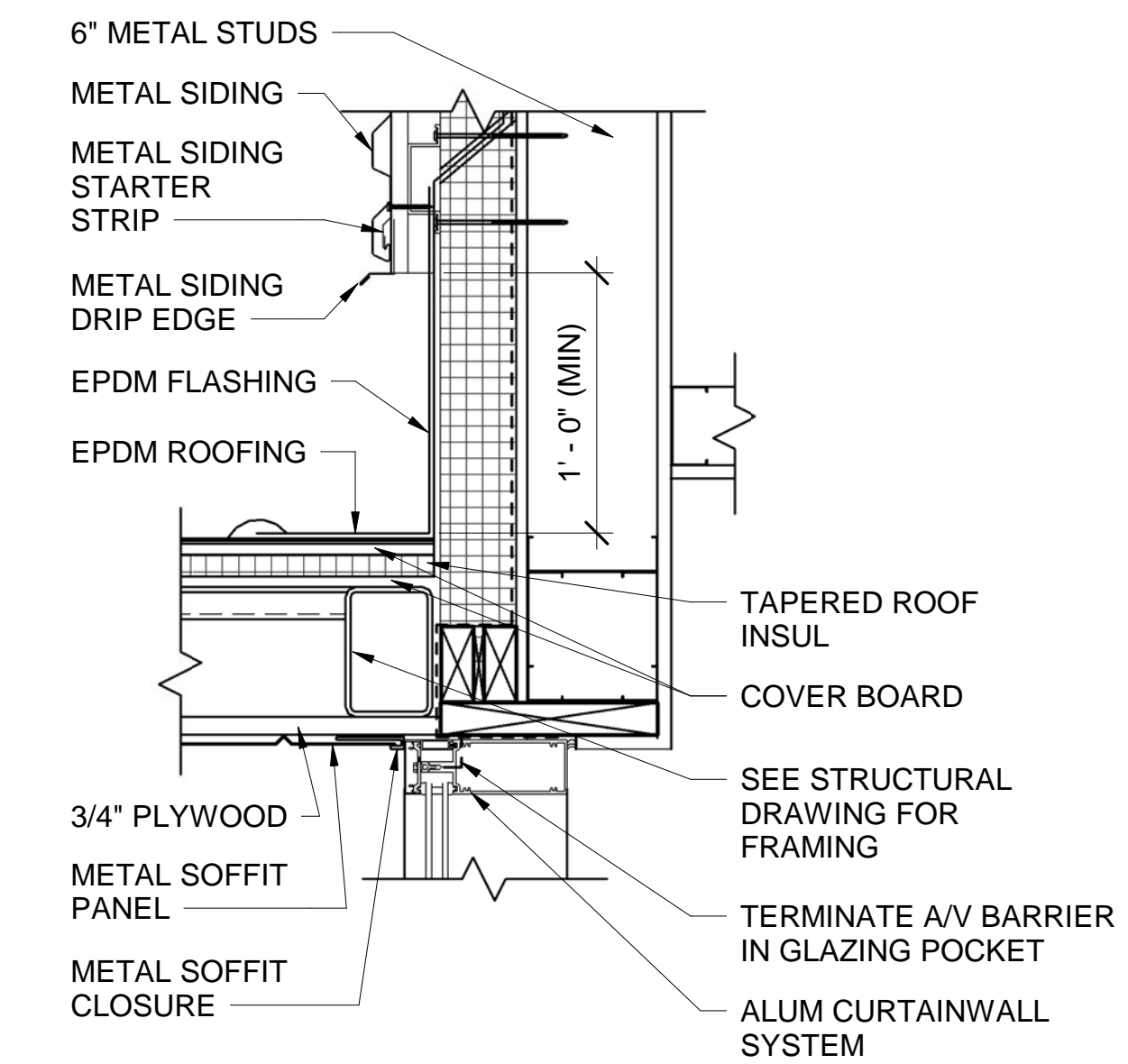
**6 ENTRY B12 CANOPY CONNECTION DETAIL**  
 AE313 AE502 SCALE: 1 1/2" = 1'-0"



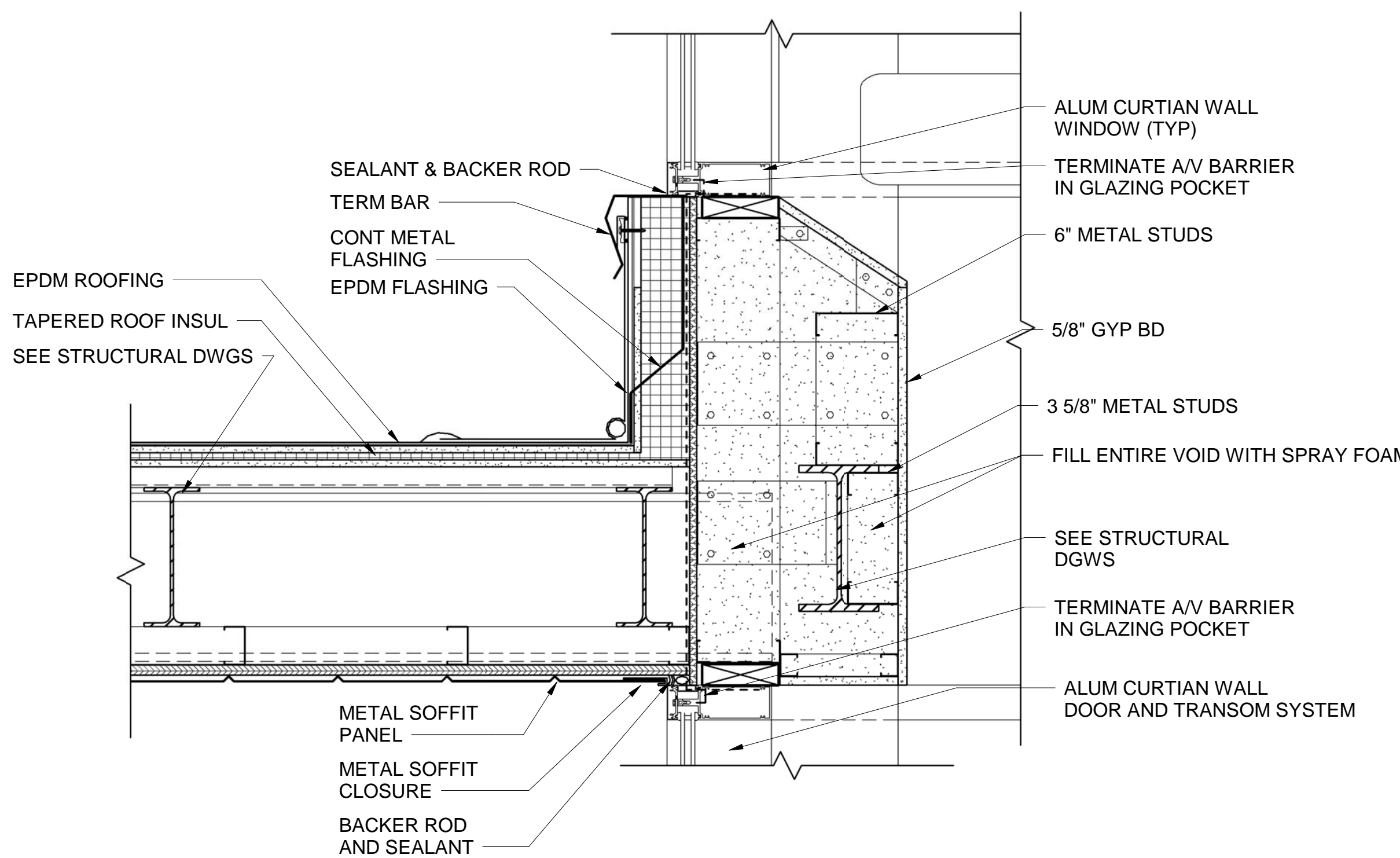
**7 ENTRY B01 CANOPY CONNECTION DETAIL**  
 AE313 AE502 SCALE: 1 1/2" = 1'-0"



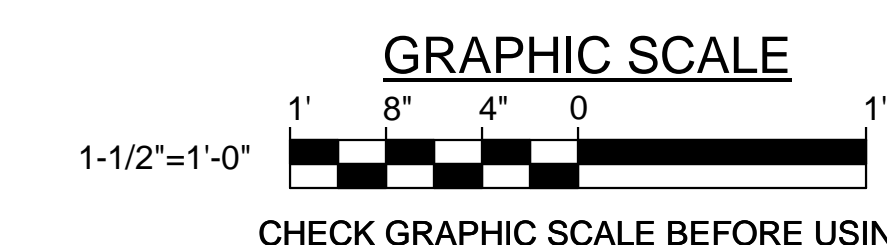
**8 ENTRY 17A CANOPY CONNECTION DETAIL**  
 AE316 AE502 SCALE: 1 1/2" = 1'-0"



**9 ENTRY A15 CANOPY CONNECTION DETAIL**  
 AE311 AE502 SCALE: 1 1/2" = 1'-0"



**10 VESTIBULE A01 CANOPY CONNECTION DETAIL**  
 AE310 AE502 SCALE: 1 1/2" = 1'-0"



STATE OF MAINE PUBLIC SCHOOL PROJECT		DRAWING NO. AE502	
TITLE PORTLAND PUBLIC SCHOOLS NEW FRED P. HALL ELEMENTARY SCHOOL		DRAWN BY: DEM	
LOCATION 23 ORONO ROAD, PORTLAND, ME		CHECK BY: TGB	
TITLE THIS DWG. CANOPY AND CLEARSTORY DETAILS		DATE 03/17/17	
NO. DATE DESCRIPTION		BY NO.	
REVISIONS			