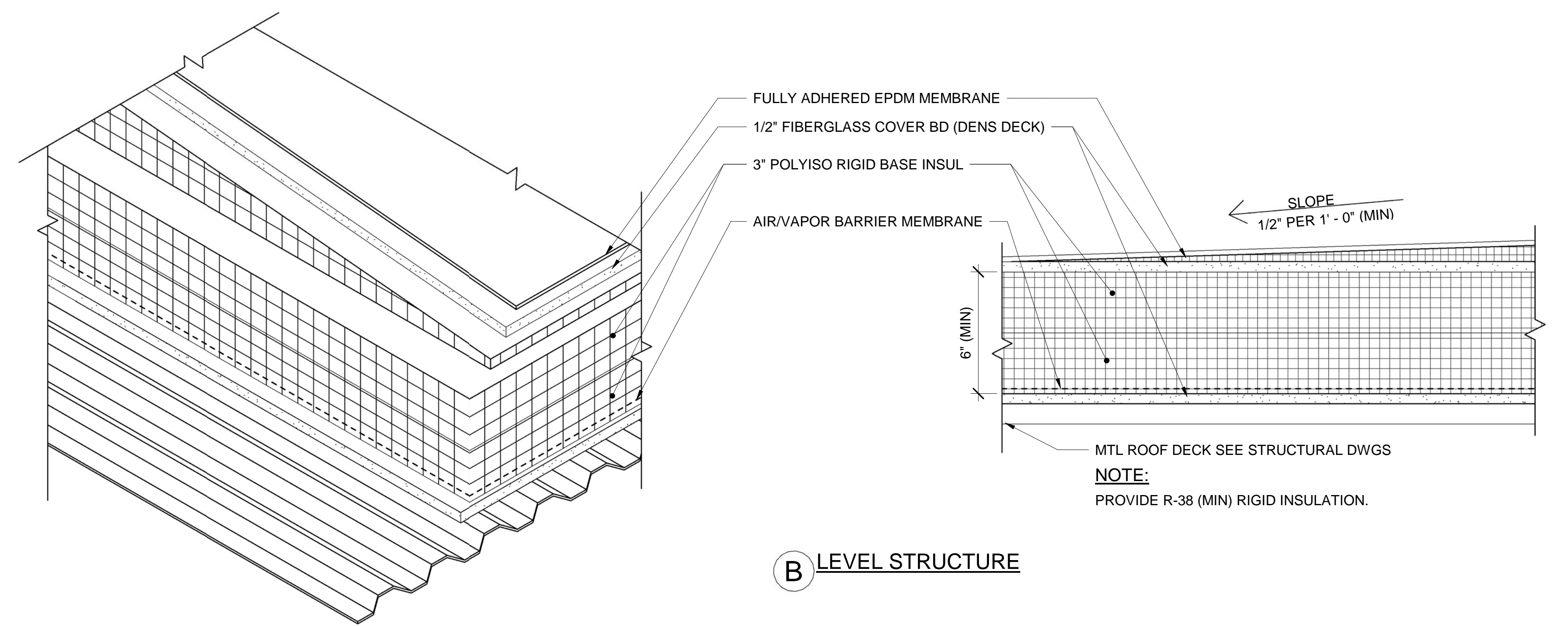
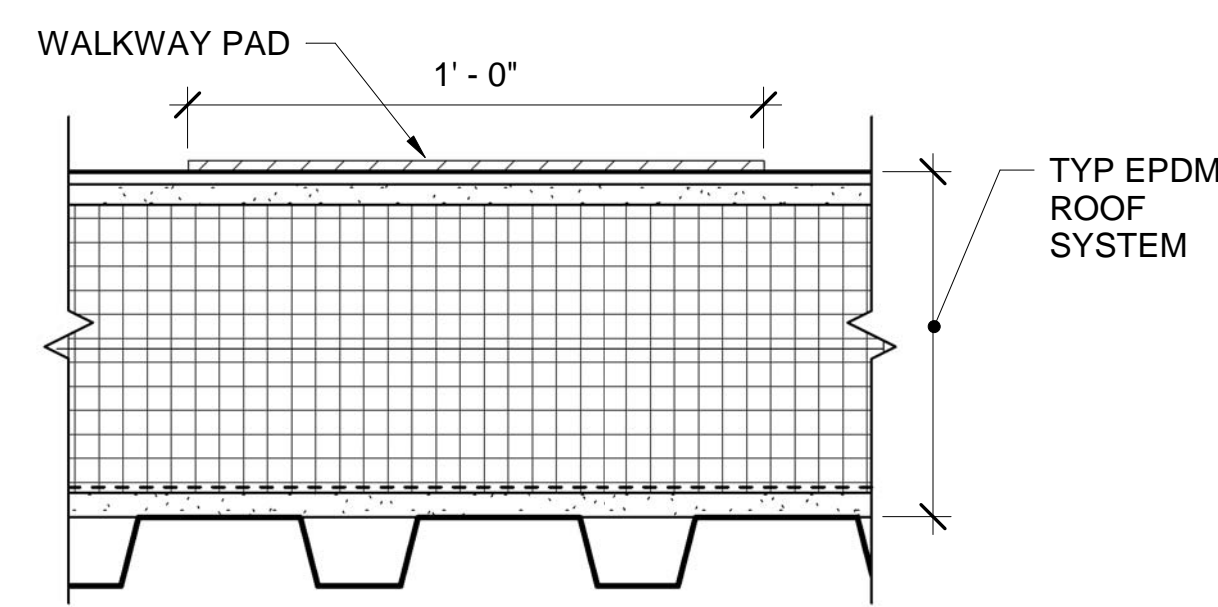


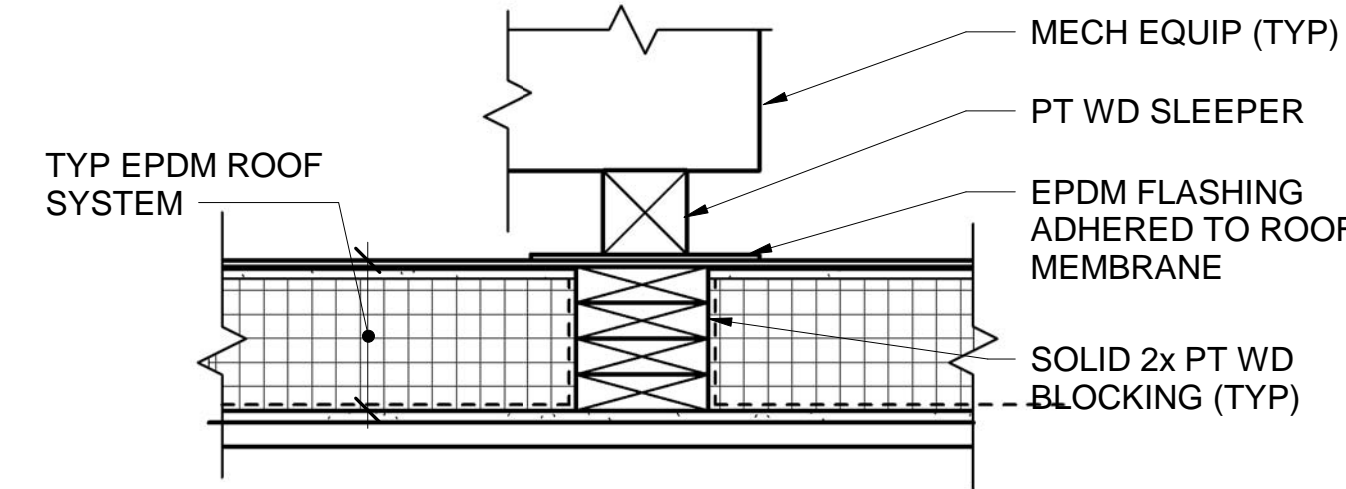
**1 TYP EPDM ROOF SYSTEM DETAIL**  
AE501 / SCALE: 3" = 1'-0"



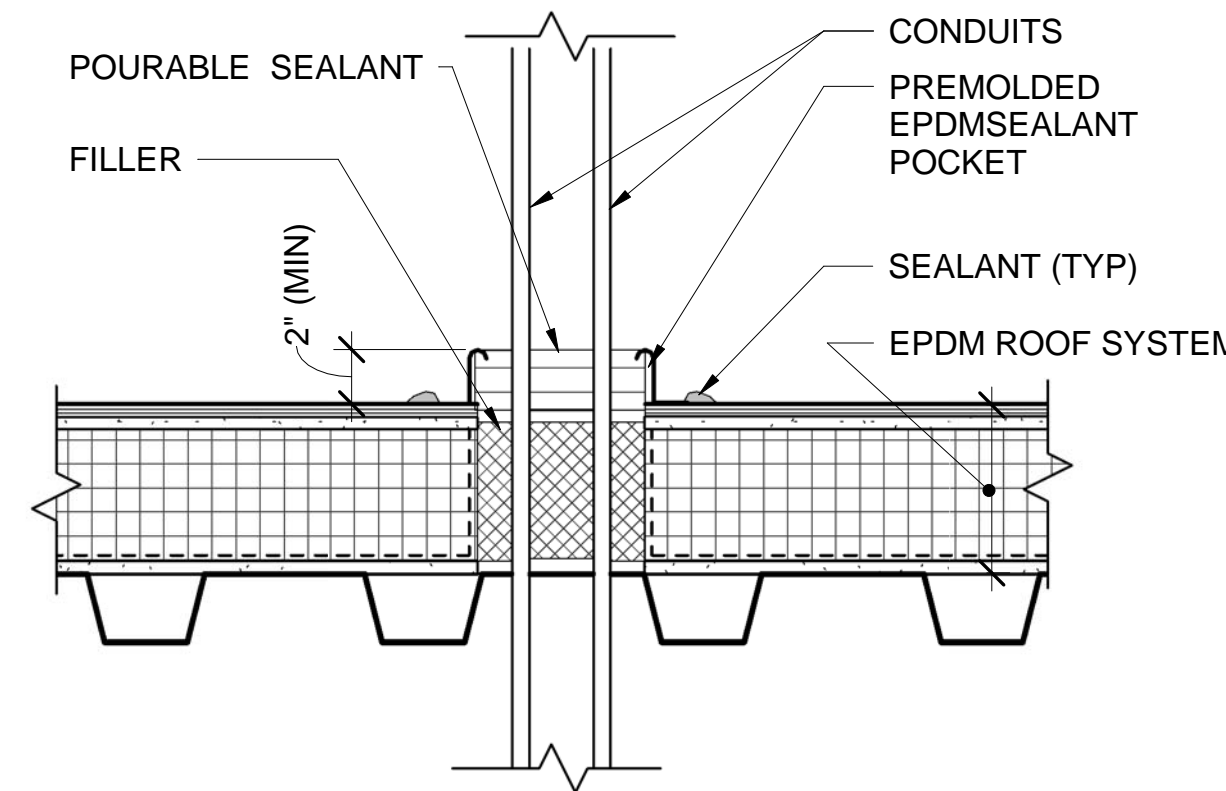
**B LEVEL STRUCTURE**



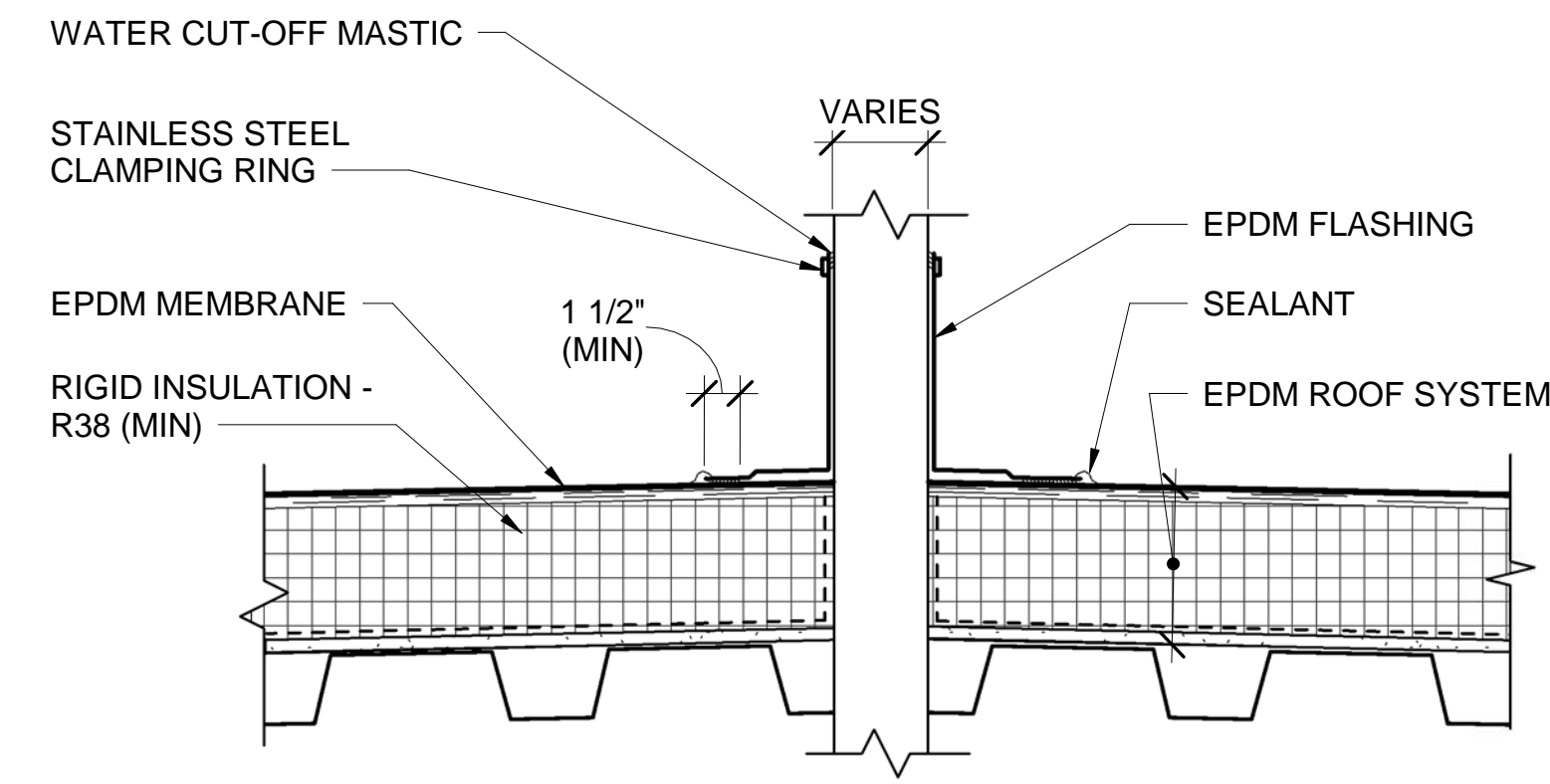
**2 TYP WALKWAY PAD DETAIL**  
AE120 AE501 / SCALE: 3" = 1'-0"



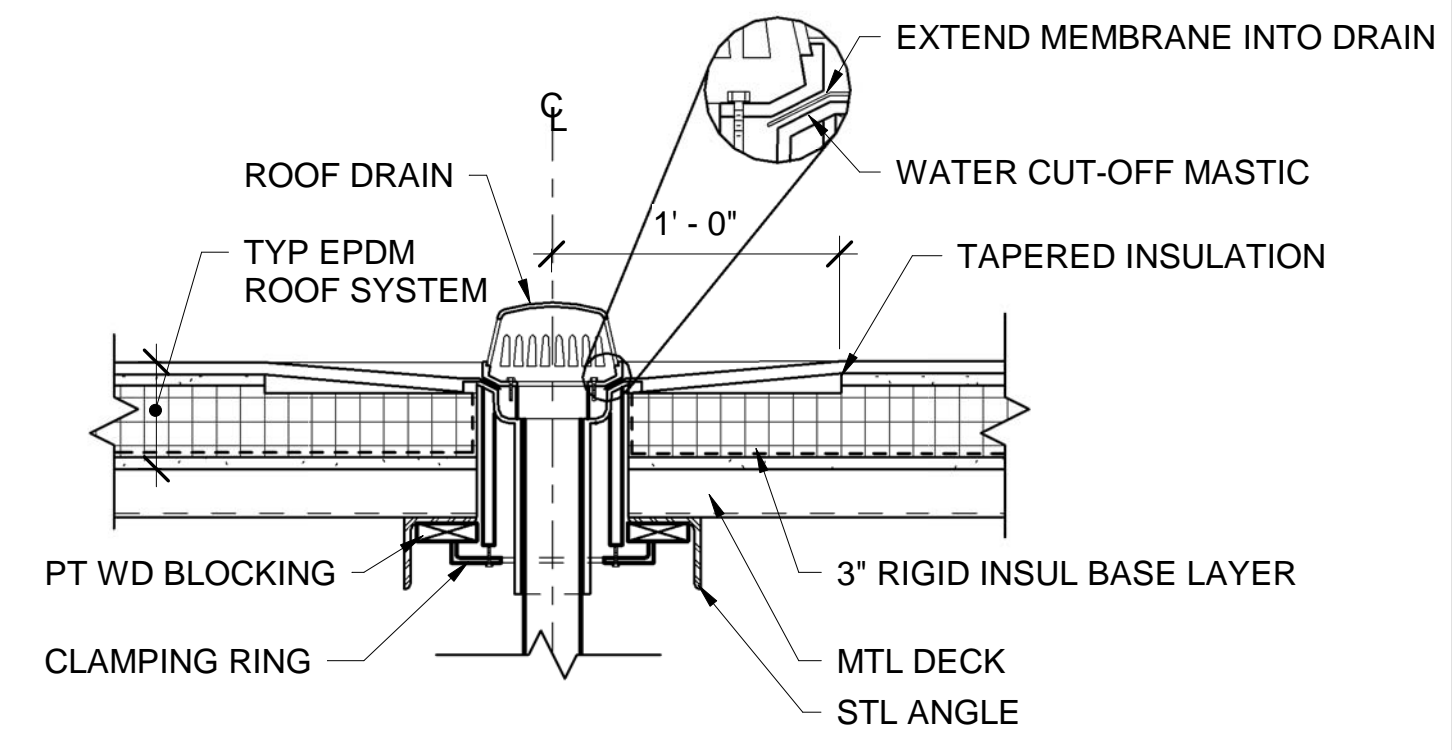
**3 TYP ROOF SLEEPER DETAIL**  
AE120 AE501 / SCALE: 1 1/2" = 1'-0"



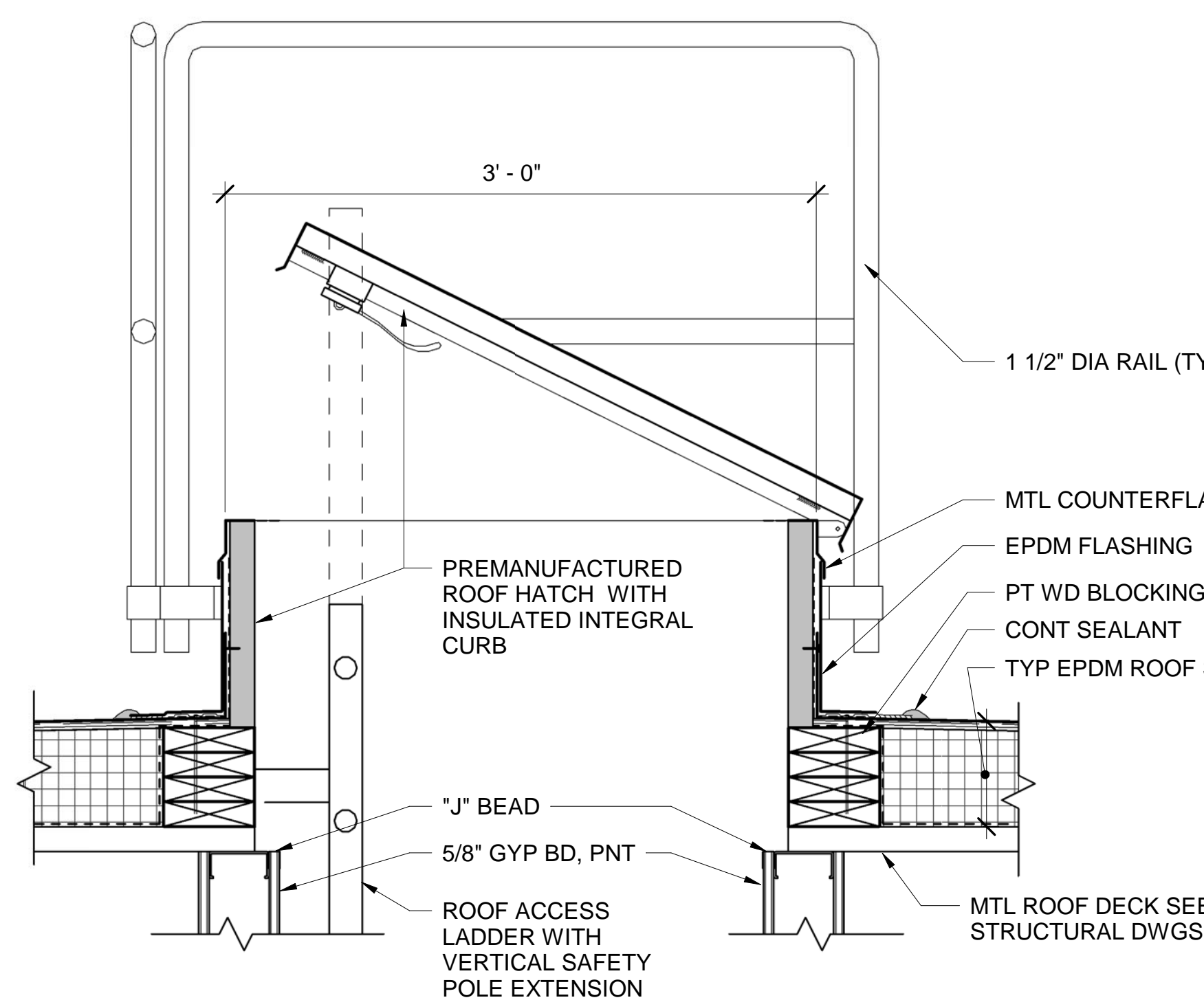
**4 TYP PITCH POCKET DETAIL**  
AE501 / SCALE: 1 1/2" = 1'-0"



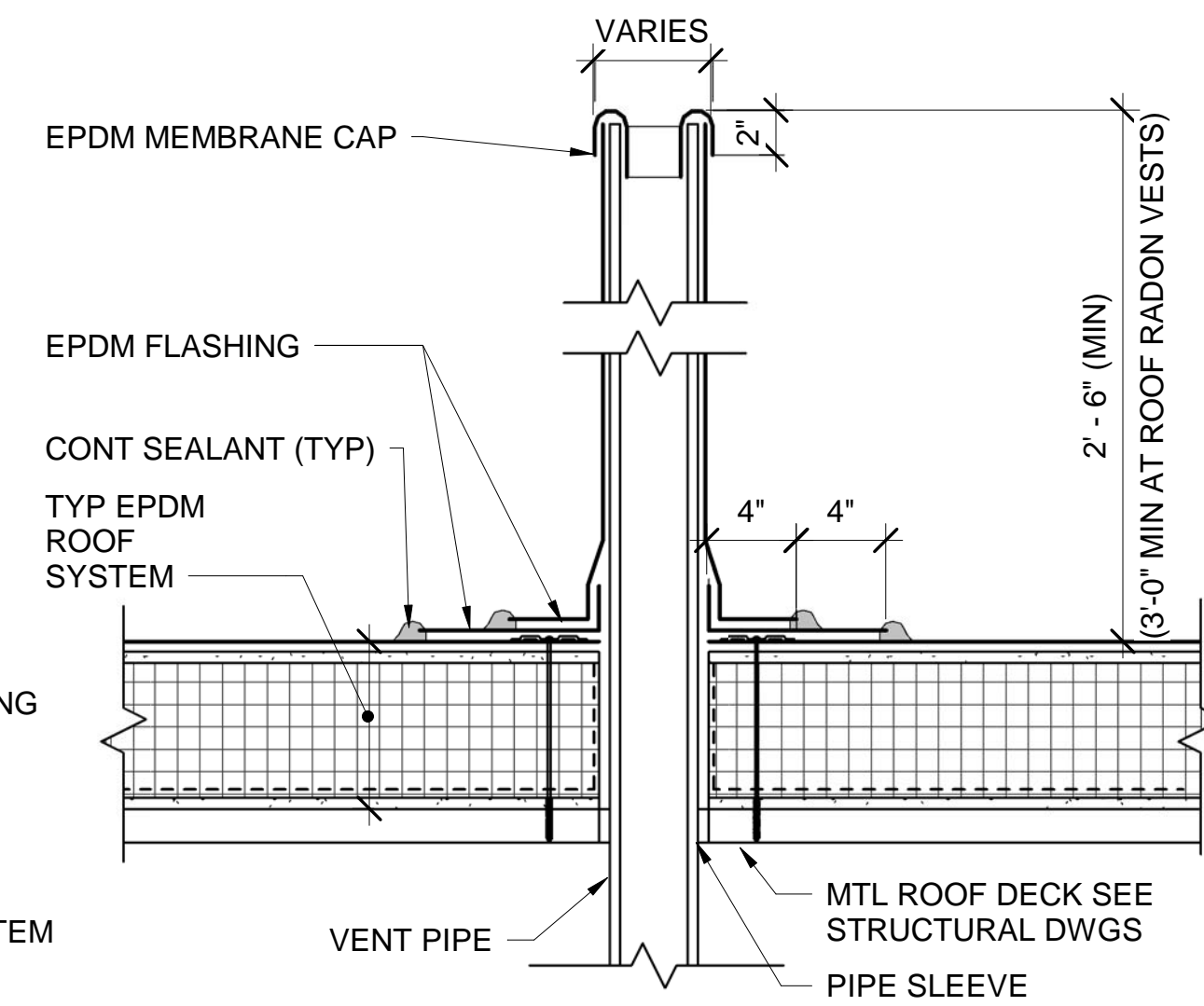
**5 TYP PIPE SUPPORT PENETRATION DETAIL**  
AE501 / SCALE: 1 1/2" = 1'-0"



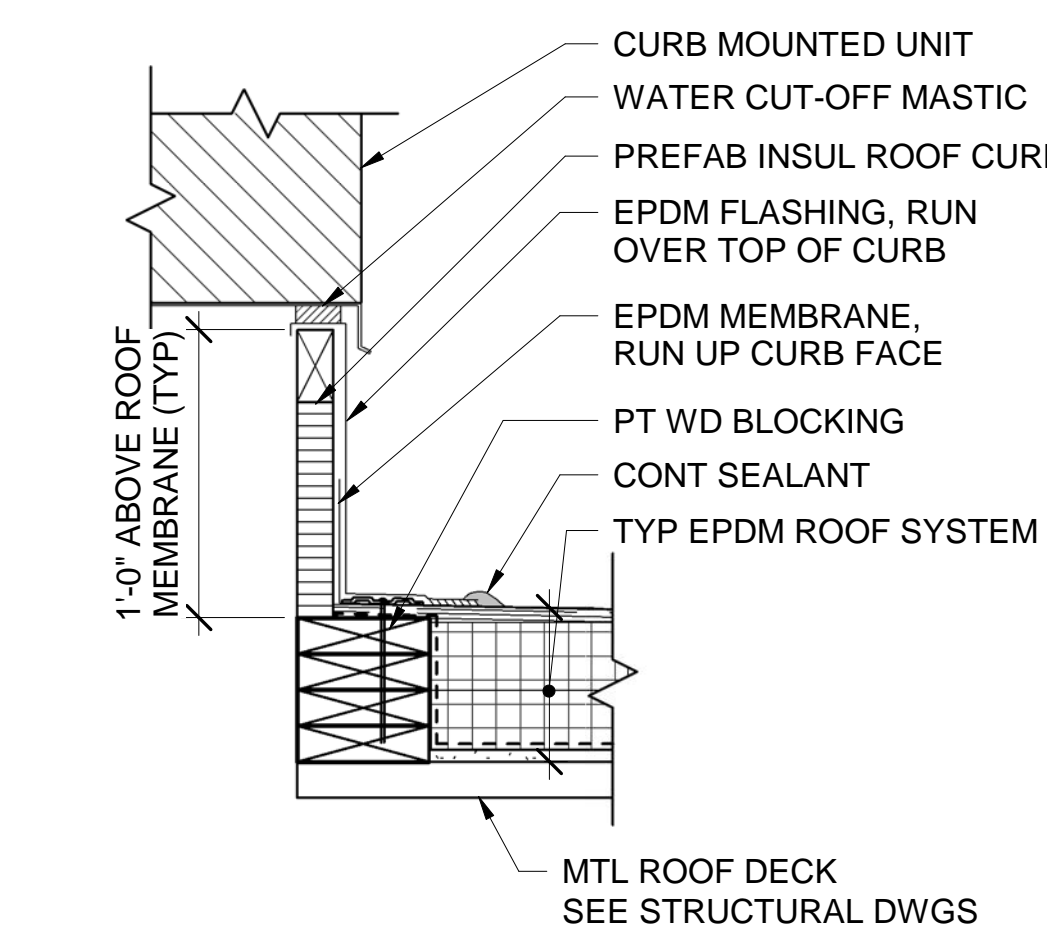
**6 TYP SINGLE ROOF DRAIN DETAIL**  
AE120 AE501 / SCALE: 1 1/2" = 1'-0"



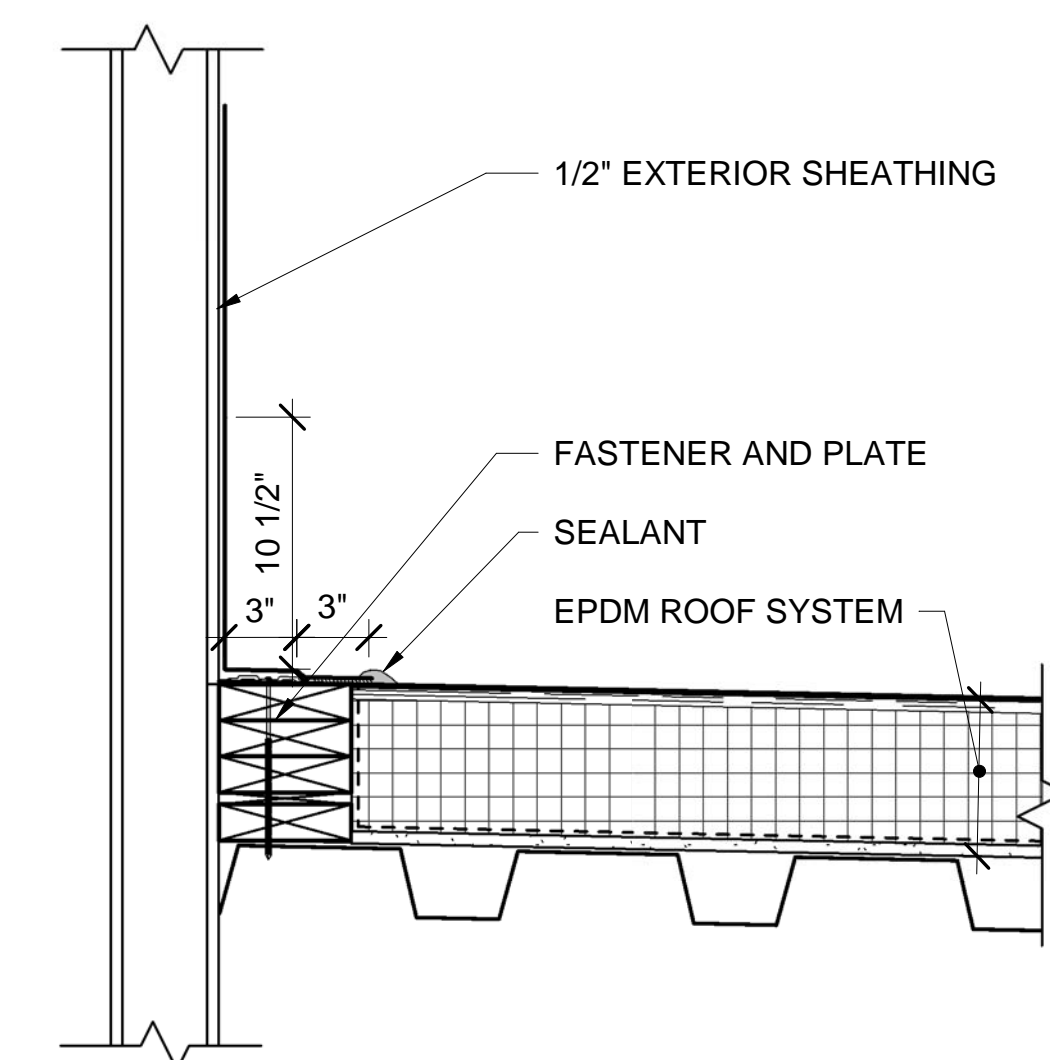
**8 TYP ROOF HATCH DETAIL**  
AE120 AE501 / SCALE: 1 1/2" = 1'-0"



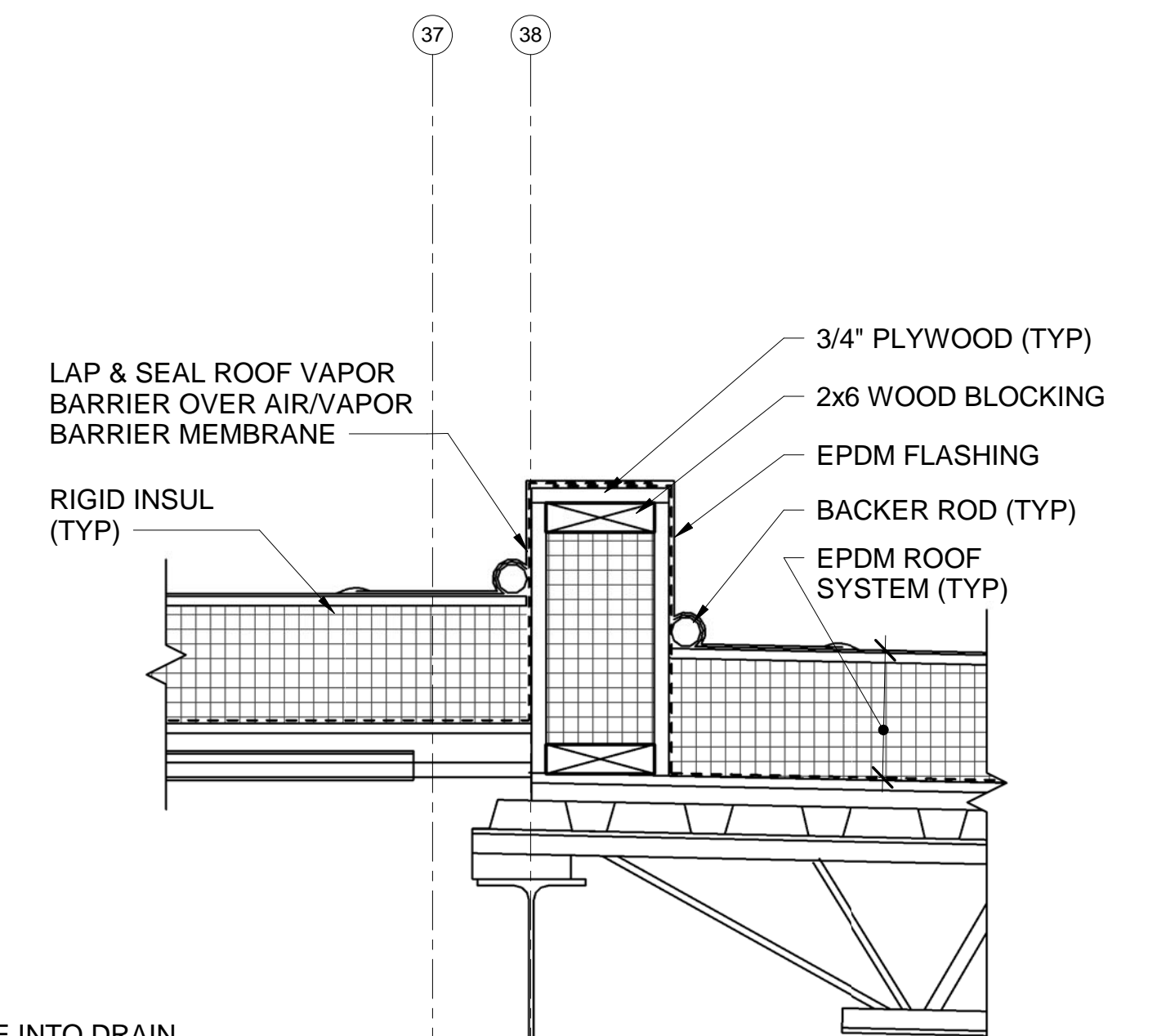
**7 TYP VENT PIPE DETAIL**  
AE501 / SCALE: 1 1/2" = 1'-0"



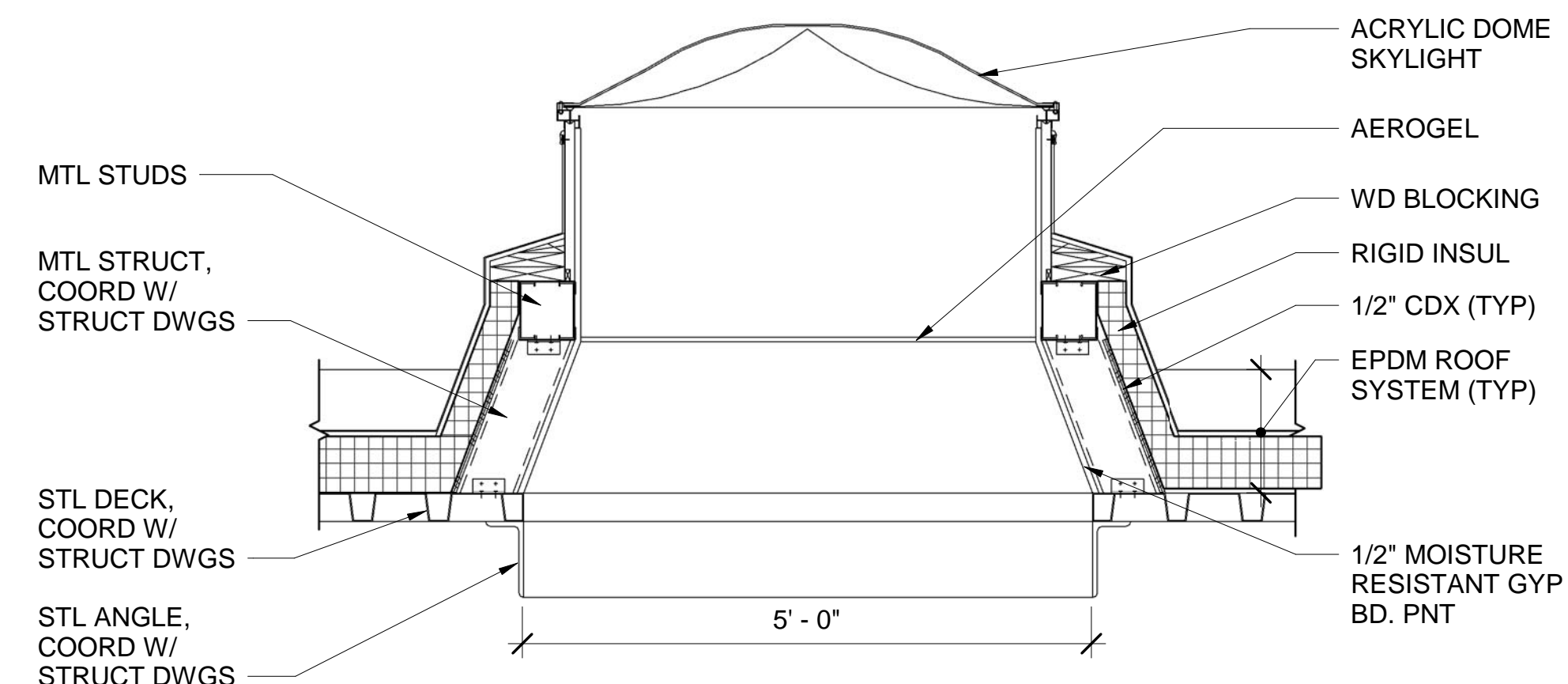
**10 TYP EQUIPMENT CURB DETAIL**  
AE120 AE501 / SCALE: 1 1/2" = 1'-0"



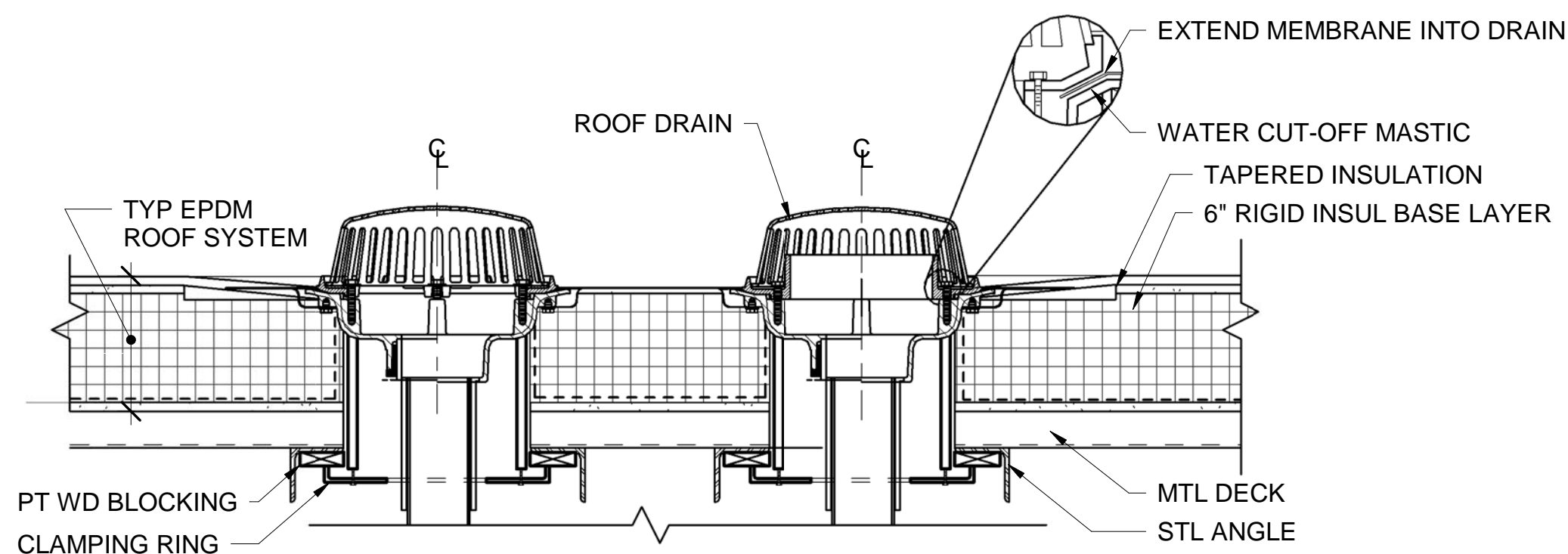
**11 TYP PARAPET FLASHING DETAIL**  
AE501 / SCALE: 1 1/2" = 1'-0"



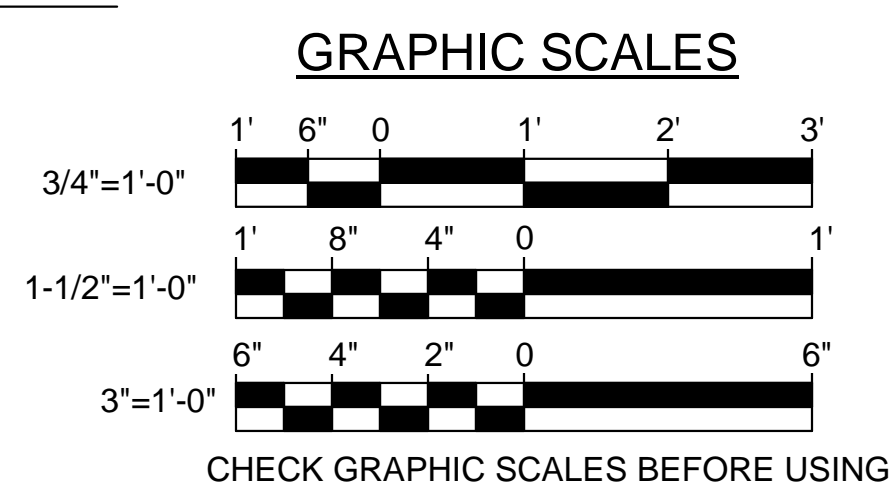
**13 ROOF CURB STEP**  
AE120 AE501 / SCALE: 1 1/2" = 1'-0"



**12 TYP SKYLIGHT DETAIL**  
AE120 AE501 / SCALE: 3/4" = 1'-0"



**9 DUAL DRAIN DETAIL**  
AE120 AE501 / SCALE: 1 1/2" = 1'-0"



|   |                       |  |
|---|-----------------------|--|
|   |                       | <p><b>STATE OF MAINE PUBLIC SCHOOL PROJECT</b></p> <p>PORTLAND PUBLIC SCHOOLS<br/>NEW FRED P. HALL ELEMENTARY SCHOOL<br/>LOCATION: 23 ORONO ROAD, PORTLAND, ME</p> <p>TITLE THIS DWG: ROOF DETAILS</p> |
| <p>DRAWN BY: DEM</p> <p>CHECK BY: TGB</p>           | <p>DATE: 03/17/17</p> | <p>OAK POINT ASSOCIATES</p> <p>AE501</p>   |
| <p>NO. DATE DESCRIPTION BY NO.</p> <p>REVISIONS</p> | <p>DATE: 03/17/17</p> | <p>231 Main Street, Biddeford, Maine 04005</p> <p>207.283.9192</p>   |