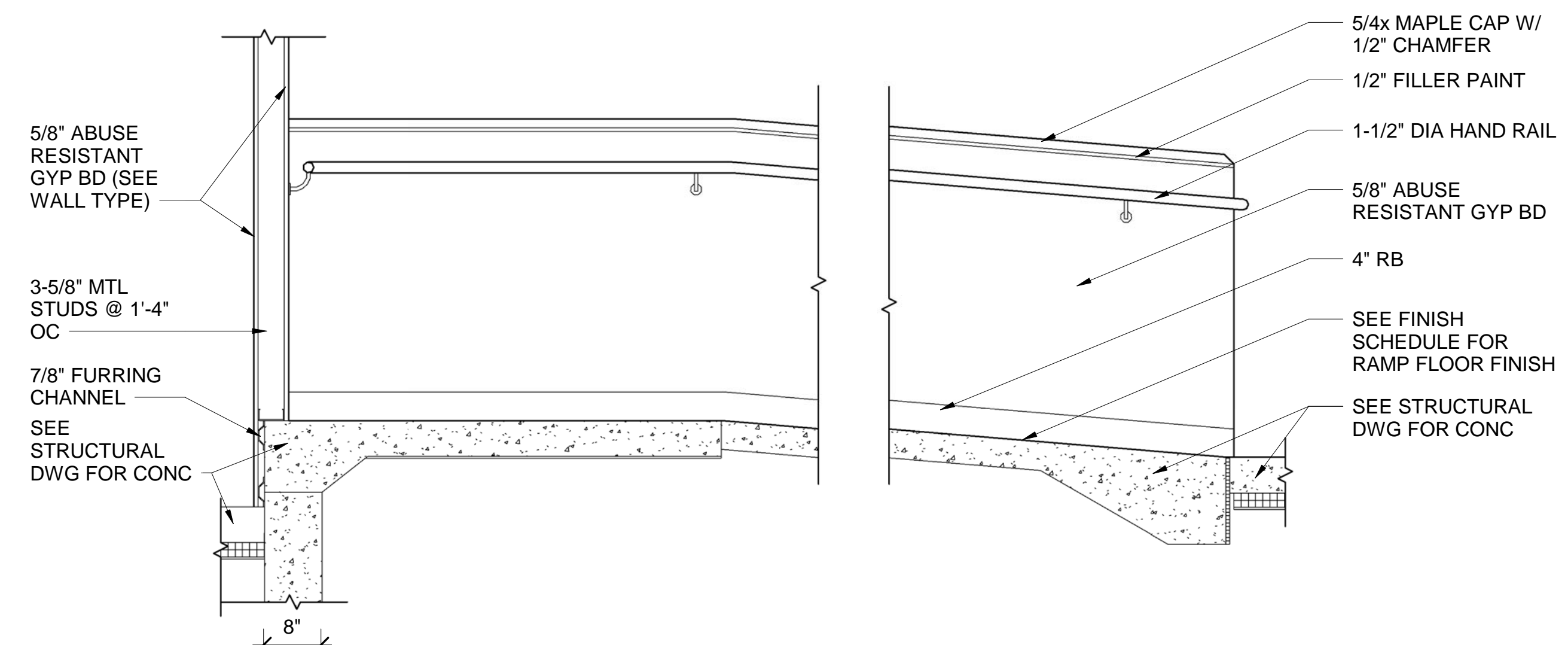
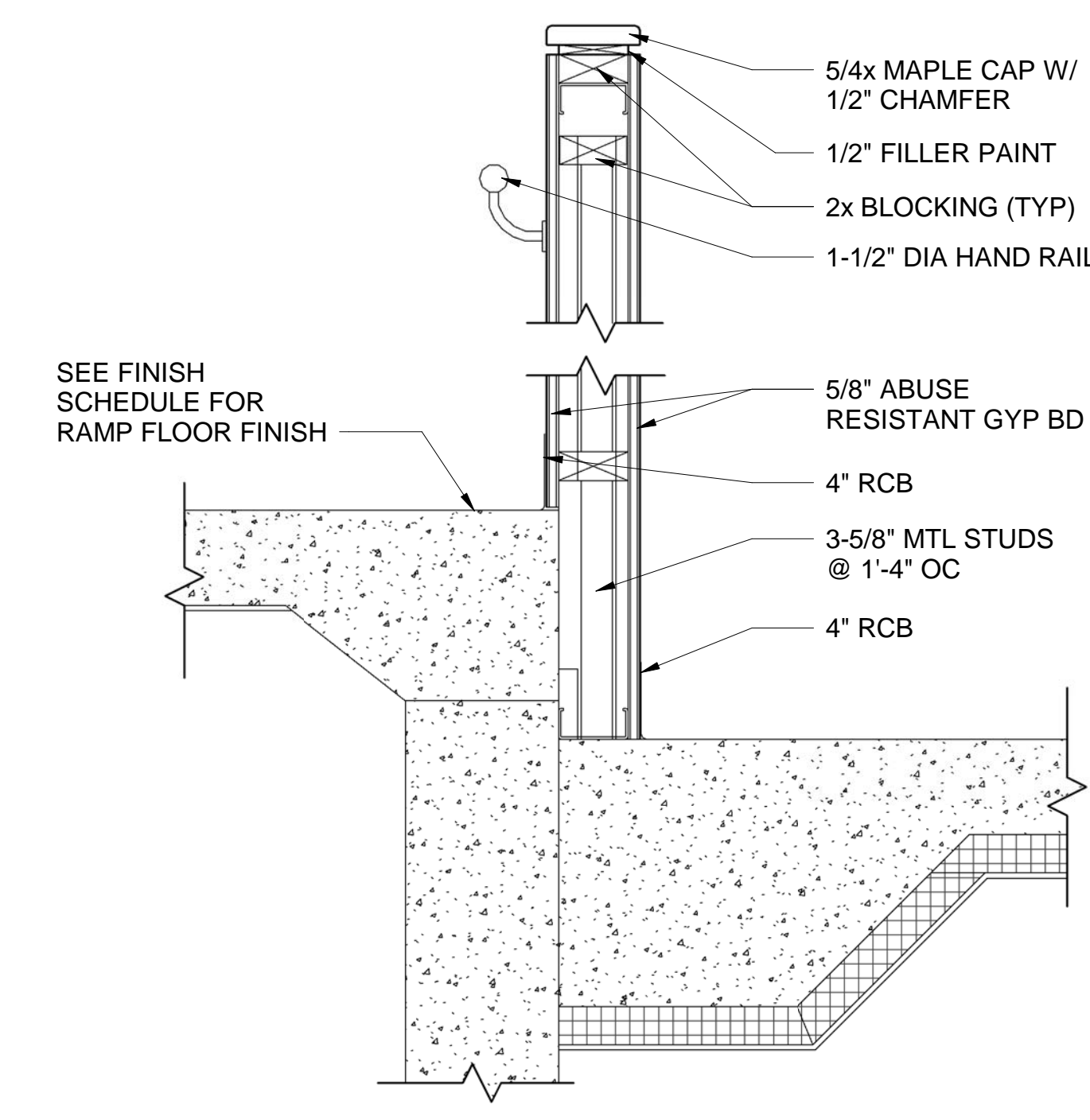


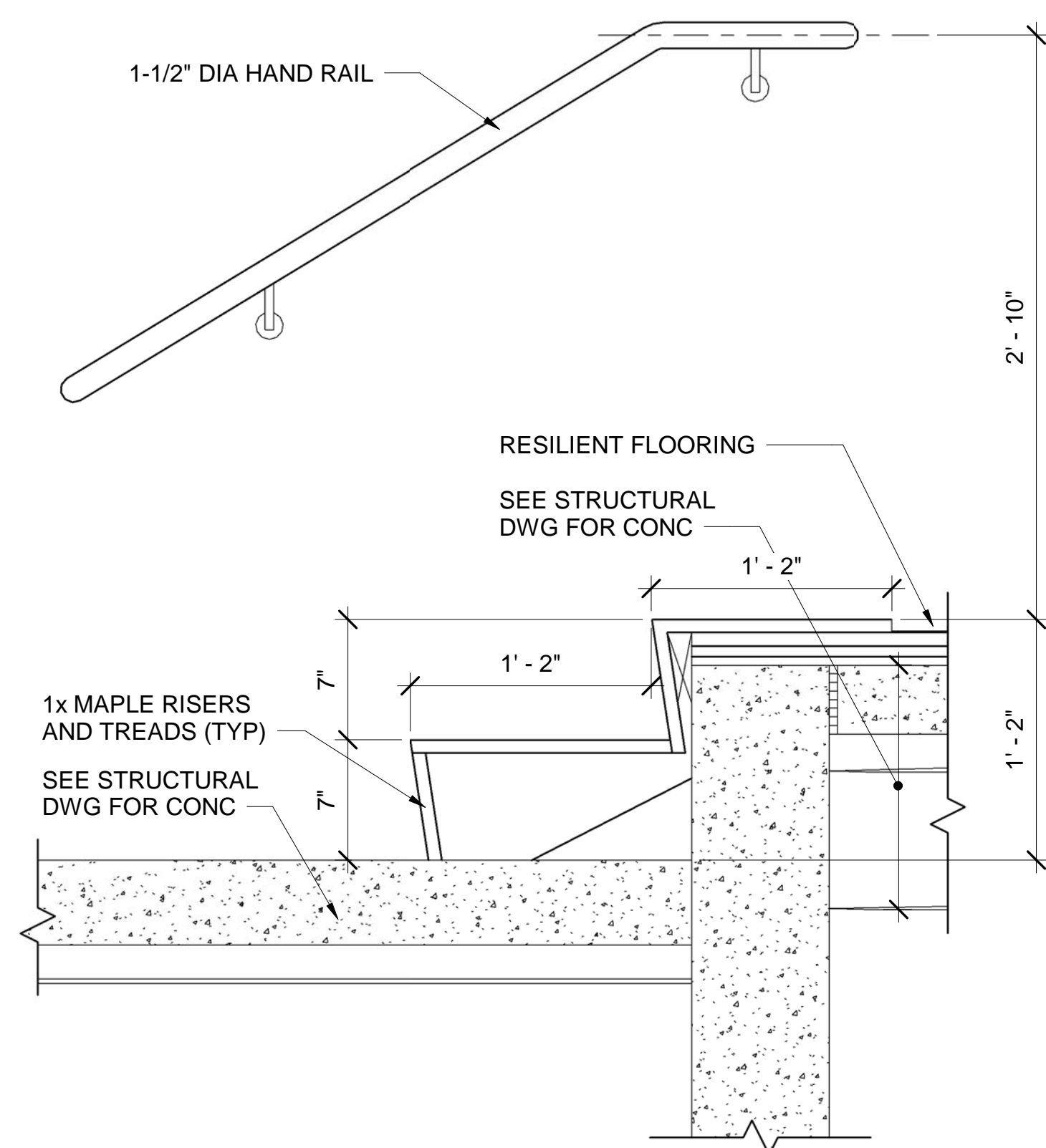
1 ENLARGED RAMP PLAN
 AE101/AE442 SCALE: 1/2" = 1'-0"



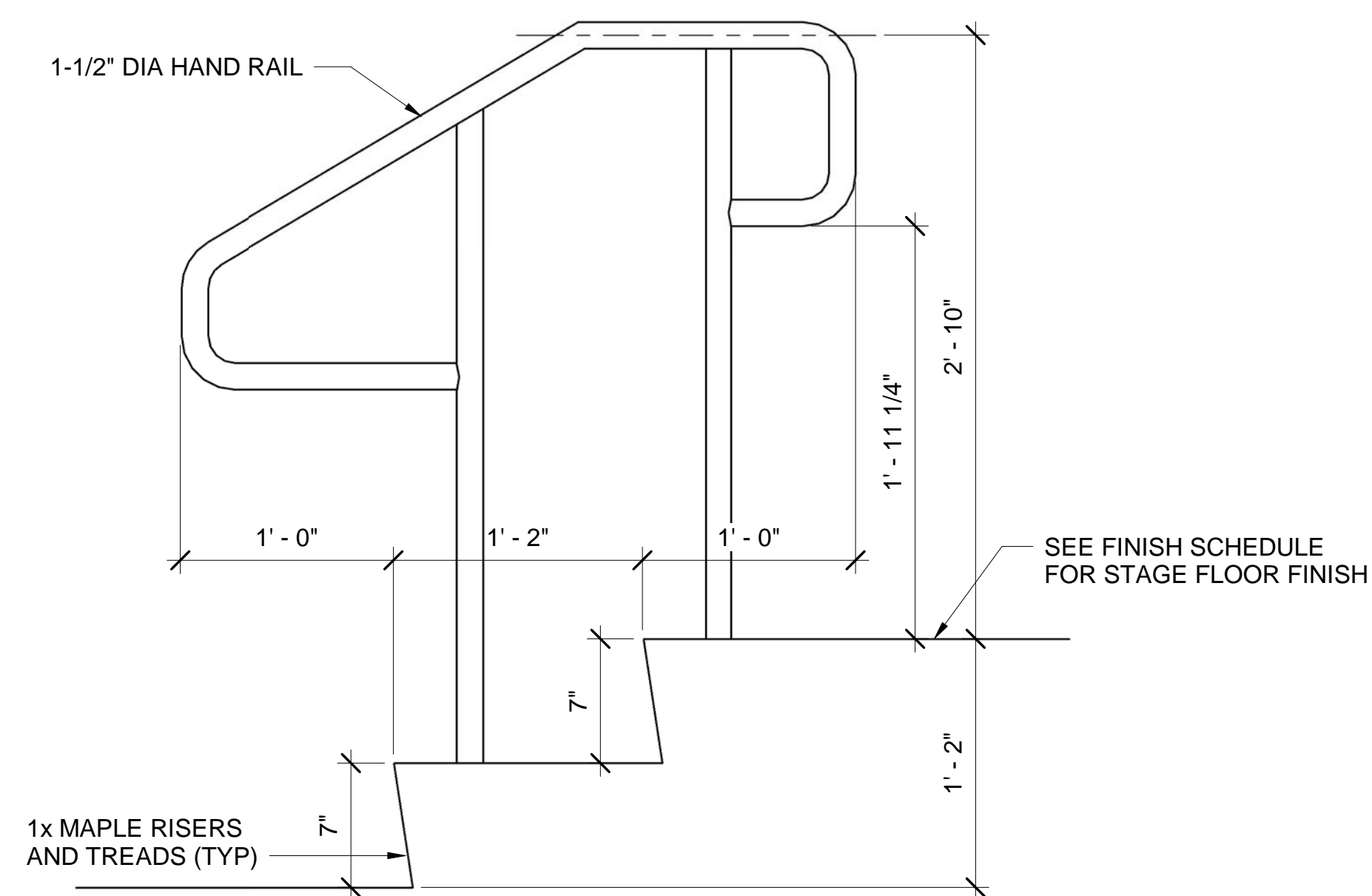
2 PLATFORM RAMP DETAIL
 AE442 SCALE: 3/4" = 1'-0"



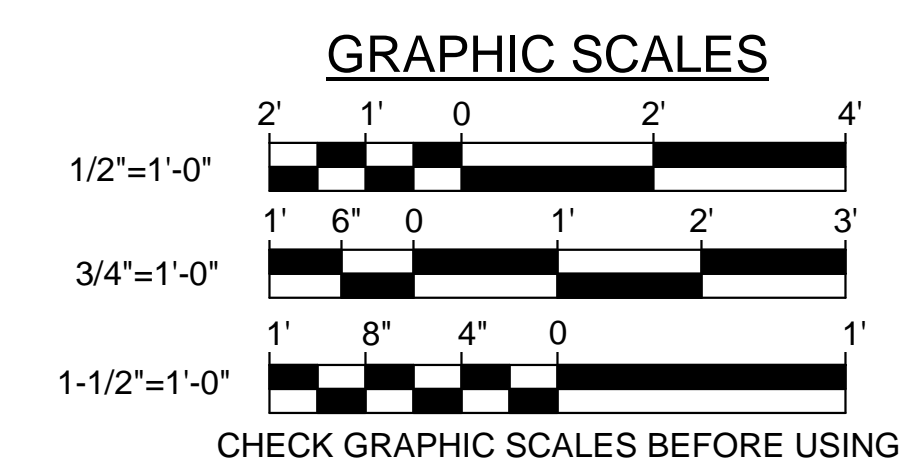
3 PLATFORM RAMP WALL DETAIL
 AE442 SCALE: 1 1/2" = 1'-0"



4 STAGE/CAFETERIA STAIR DETAIL
 AE402/AE442 SCALE: 1 1/2" = 1'-0"



5 STAGE RAILING DETAIL
 AE404/AE442 SCALE: 1 1/2" = 1'-0"



		STATE OF MAINE PUBLIC SCHOOL PROJECT TITLE: PORTLAND PUBLIC SCHOOLS NEW FRED P. HALL ELEMENTARY SCHOOL LOCATION: 23 ORONO ROAD, PORTLAND, ME TITLE THIS DWG: ENLARGED RAMP PLAN, SECTIONS AND DETAILS	
DRAWN BY: JGB CHECK BY: TGB	DRAWING NO: AE442	OAK POINT ASSOCIATES	SHEET NO: 163 OF 312
NO. DATE DESCRIPTION REVISIONS	BY NO. DATE 03/17/17	231 Main Street, Biddeford, Maine 04005 207.283.9192	