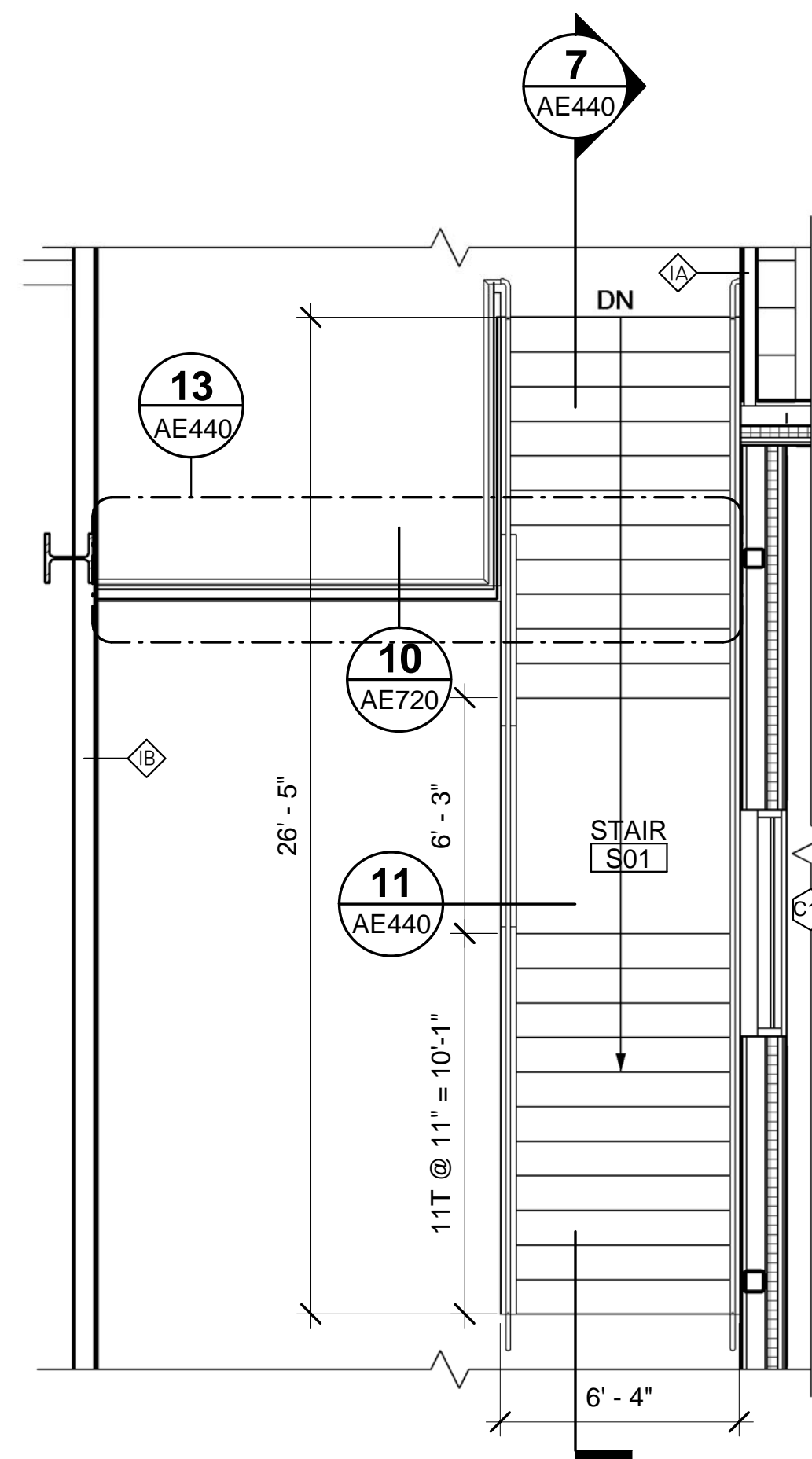
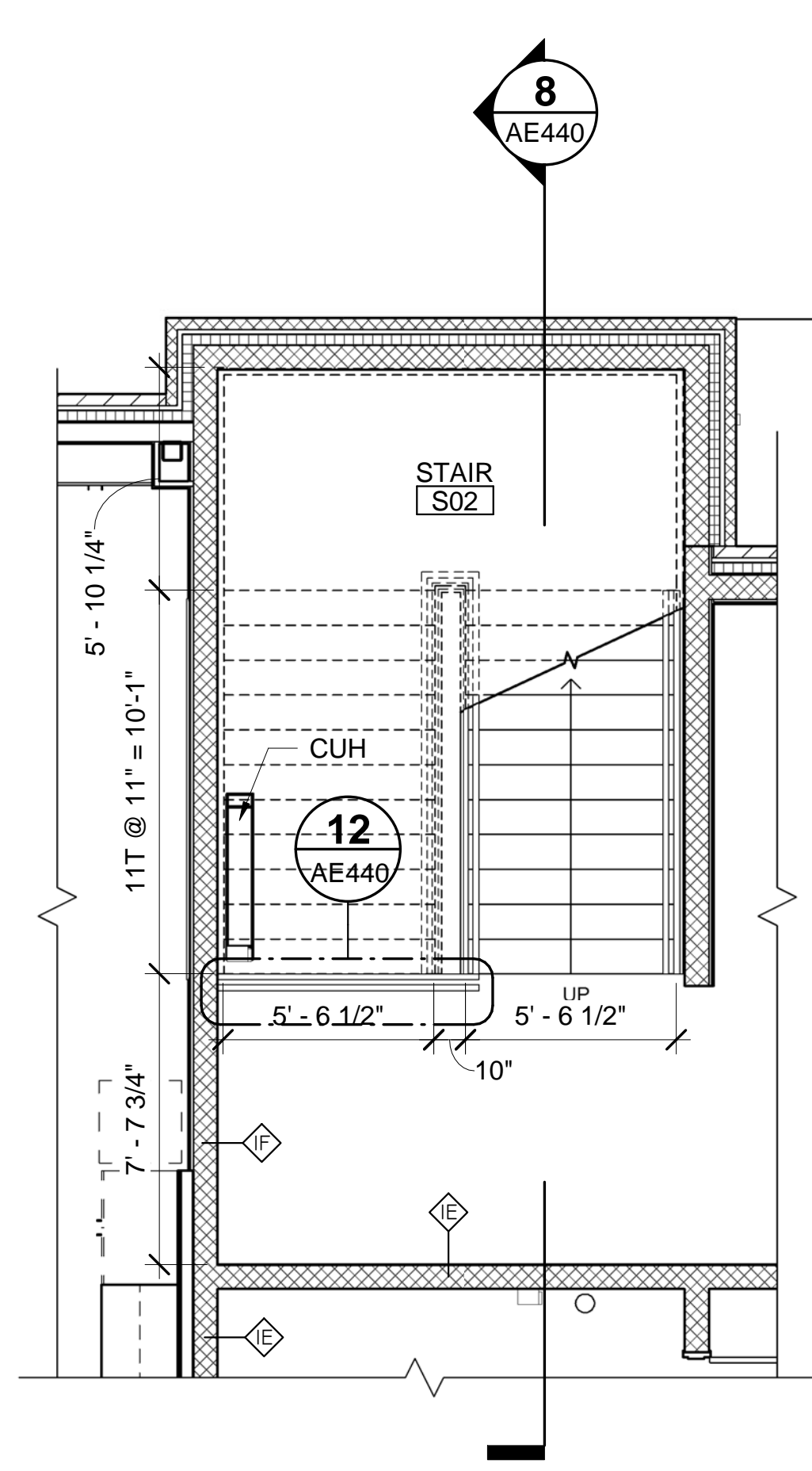


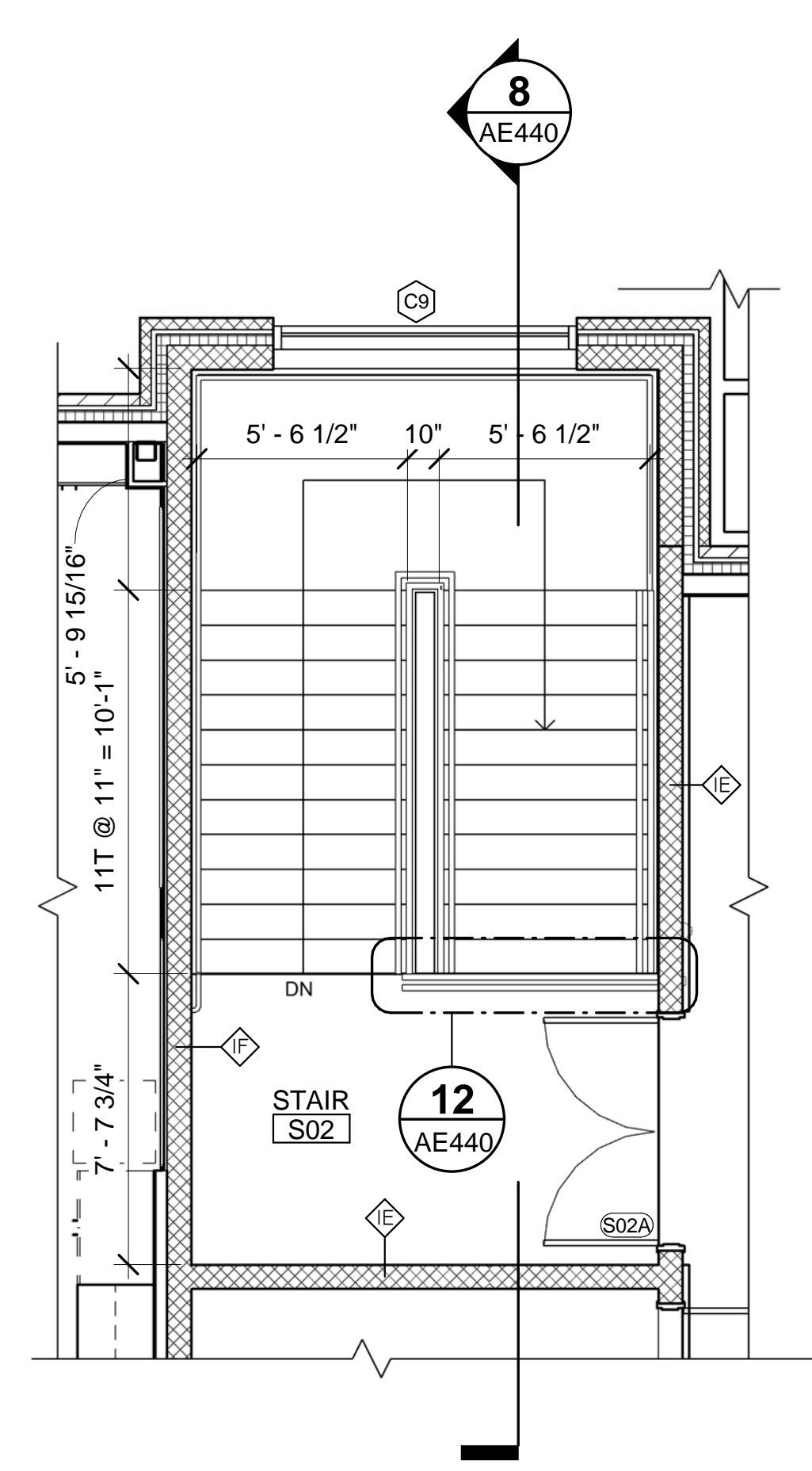
**1 STAIR S01 FIRST FLOOR PLAN**  
AE101 AE440 SCALE: 1/4" = 1'-0"



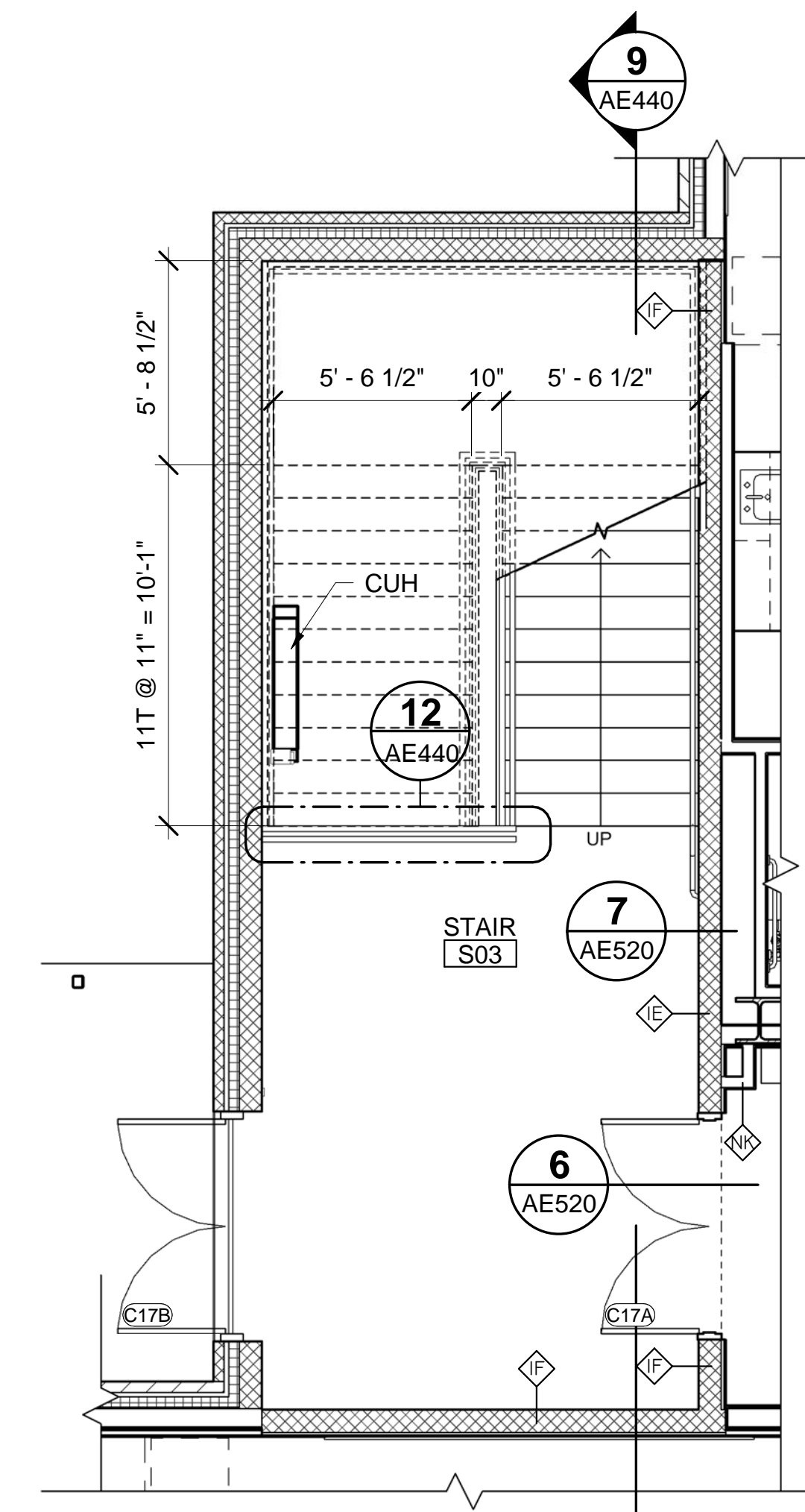
**2 STAIR S01 SECOND FLOOR PLAN**  
AE104 AE440 SCALE: 1/4" = 1'-0"



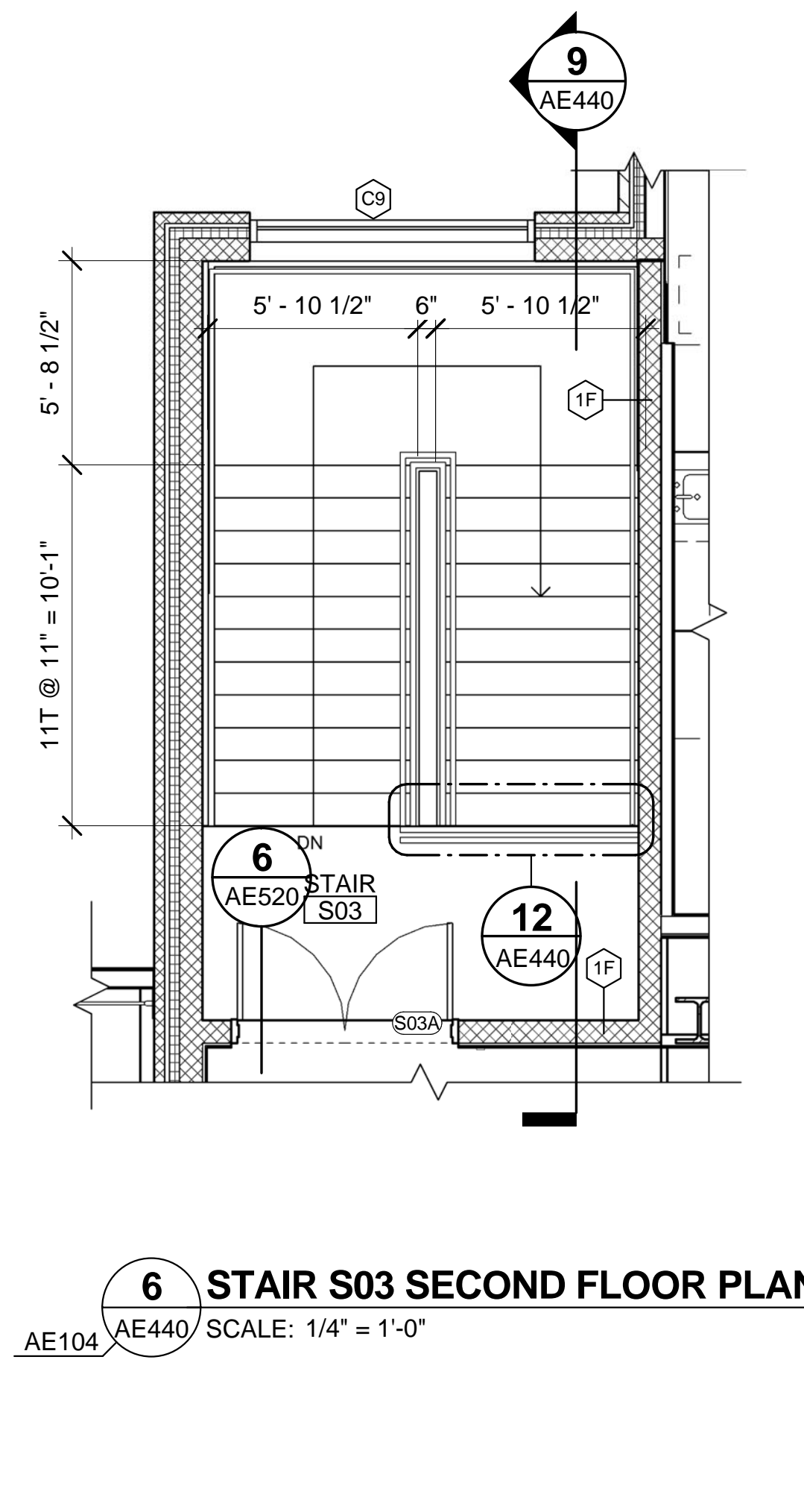
**3 STAIR S02 FIRST FLOOR PLAN**  
AE103 AE440 SCALE: 1/4" = 1'-0"



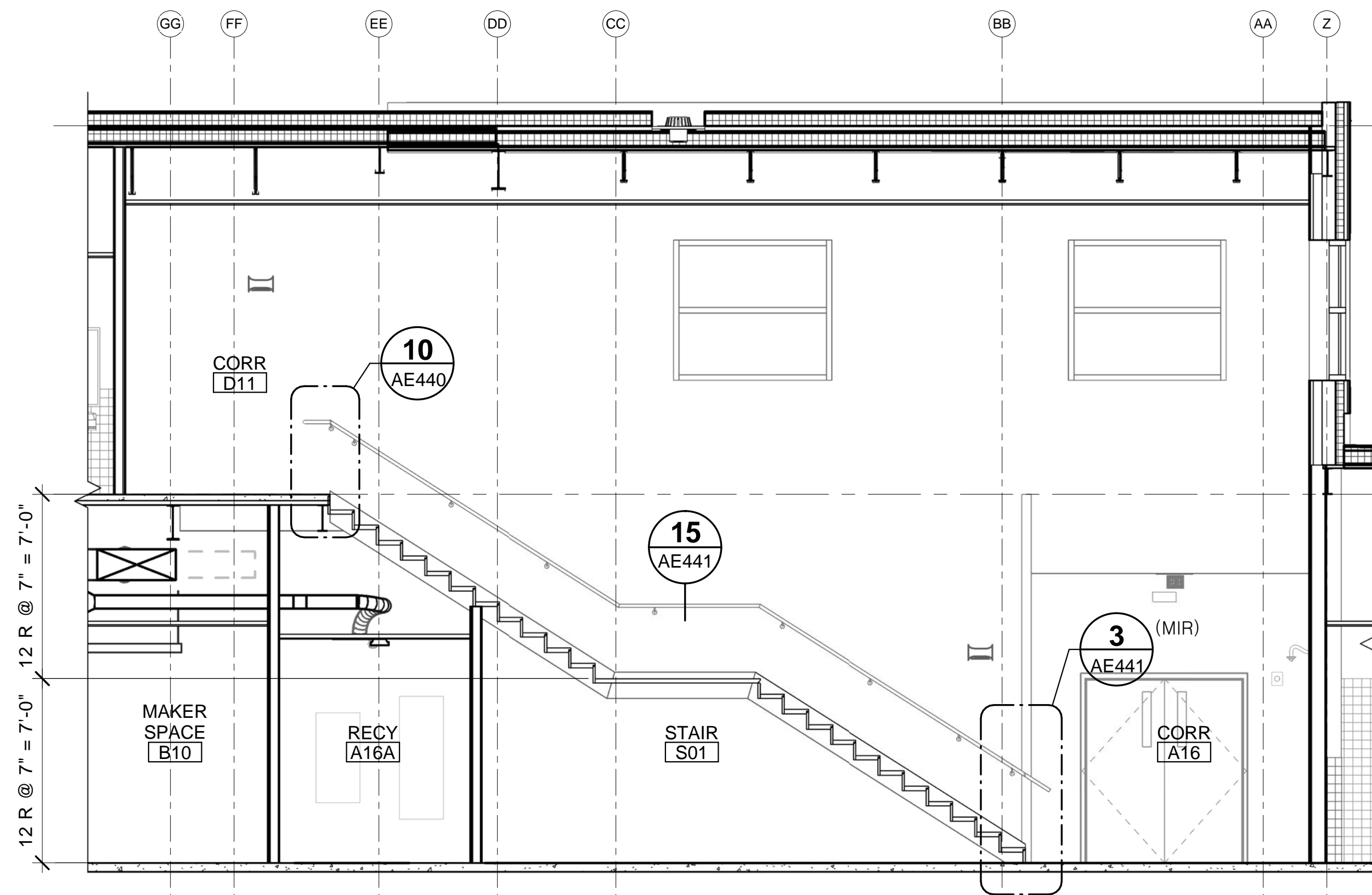
**4 STAIR S02 SECOND FLOOR PLAN**  
AE104 AE440 SCALE: 1/4" = 1'-0"



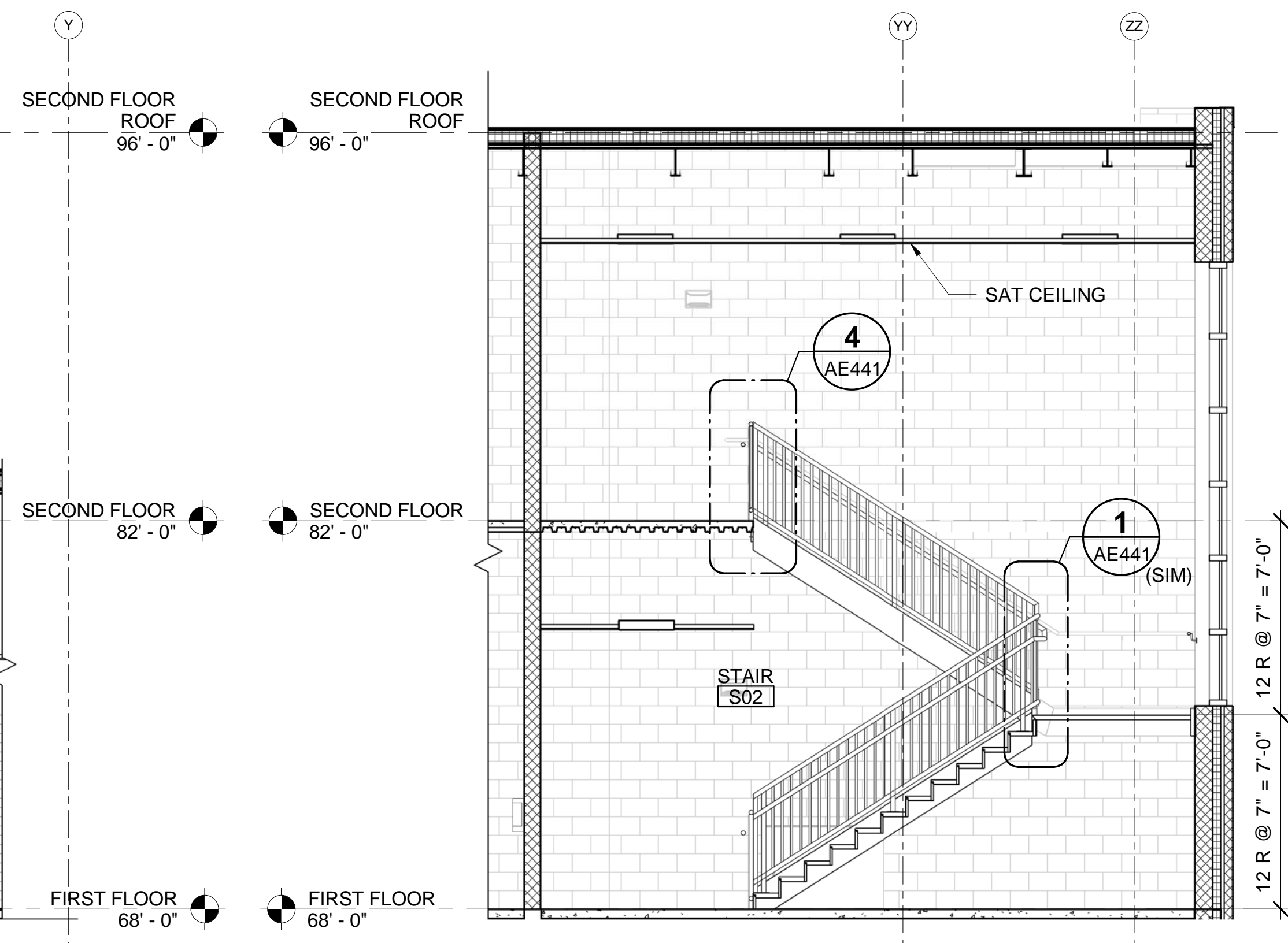
**5 STAIR S03 FIRST FLOOR PLAN**  
AE103 AE440 SCALE: 1/4" = 1'-0"



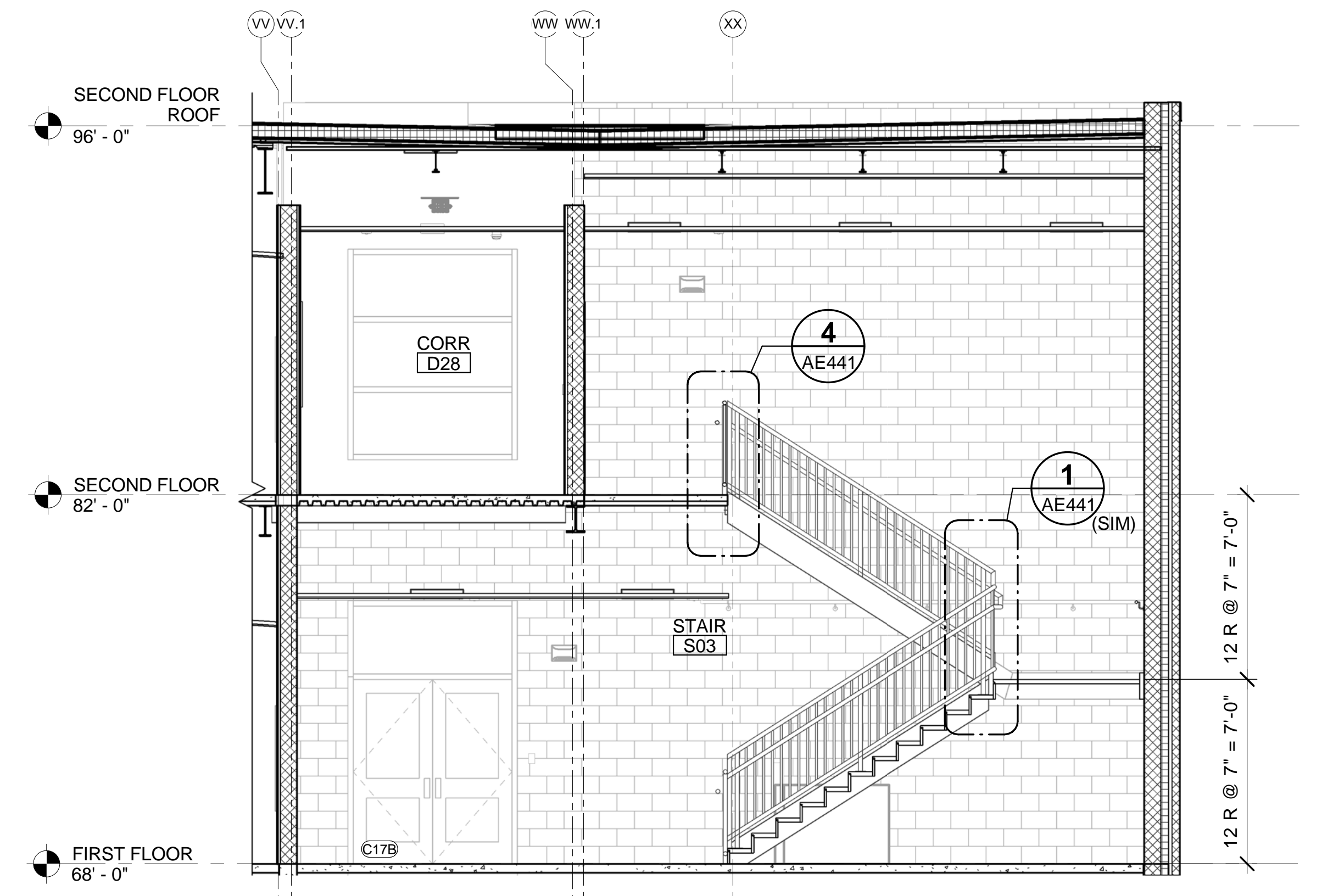
**6 STAIR S03 SECOND FLOOR PLAN**  
AE104 AE440 SCALE: 1/4" = 1'-0"



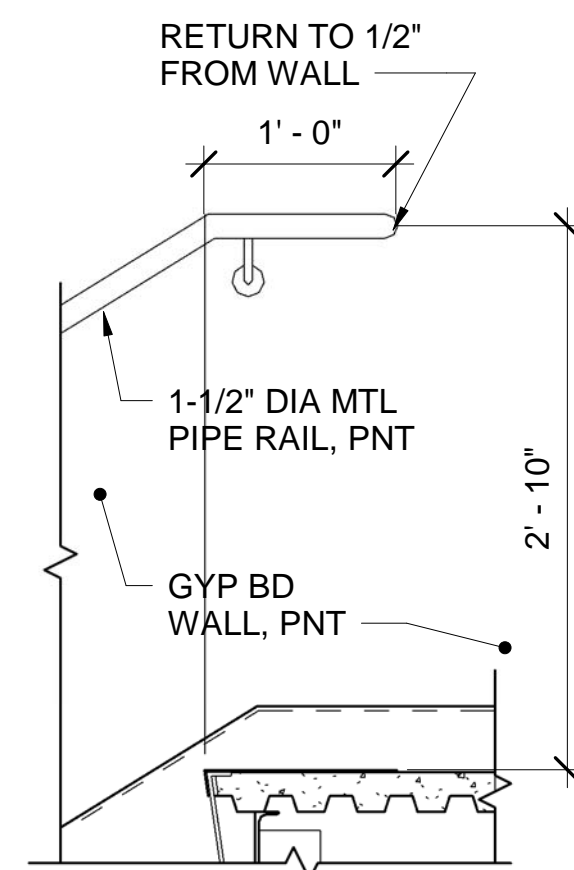
**7 STAIR S01 SECTION**  
AE440 AE440 SCALE: 1/4" = 1'-0"



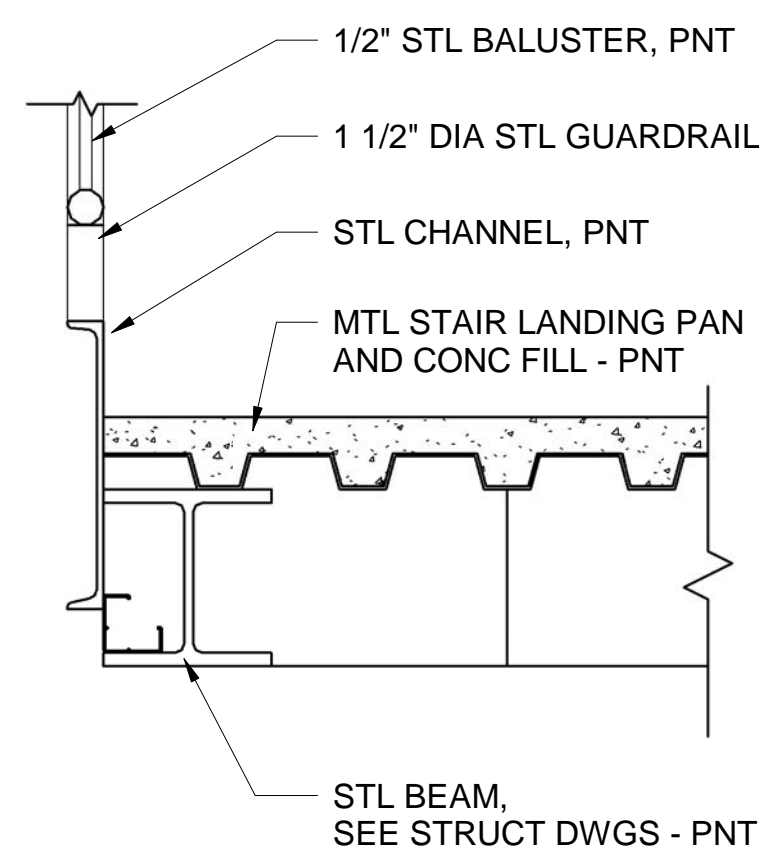
**8 STAIR S02 SECTION**  
AE440 AE440 SCALE: 1/4" = 1'-0"



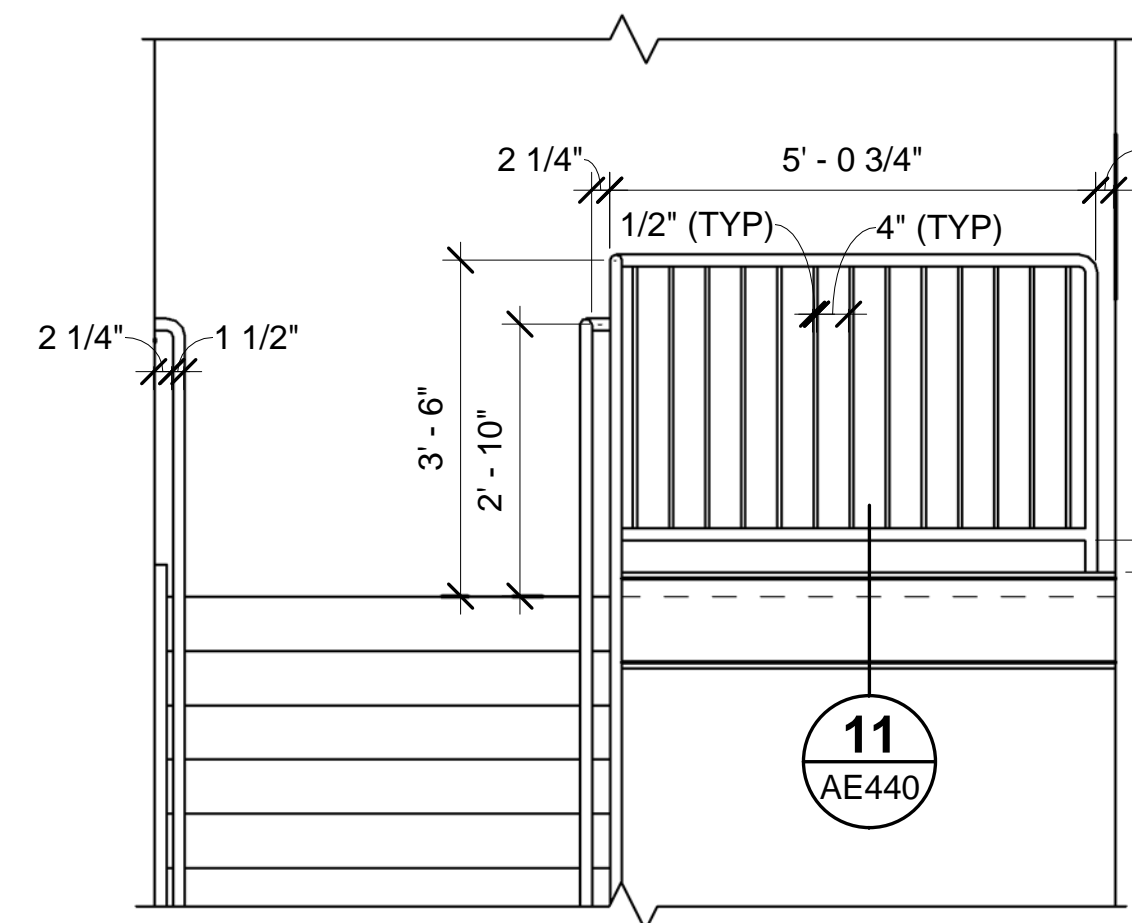
**9 STAIR S03 SECTION**  
AE440 AE440 SCALE: 1/4" = 1'-0"



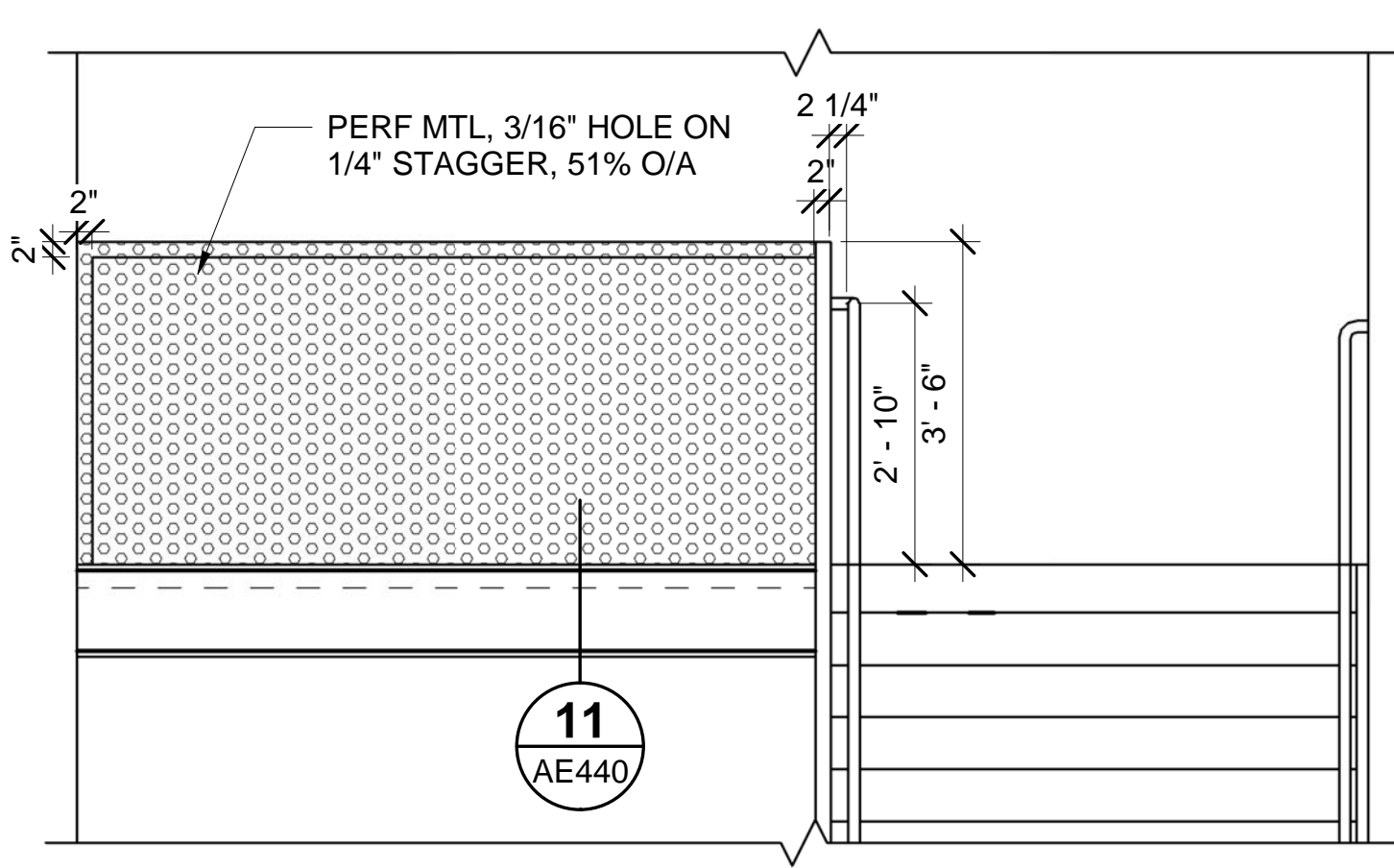
**10 TYP STAIR HANDRAIL DETAIL**  
AE440 AE440 SCALE: 1" = 1'-0"



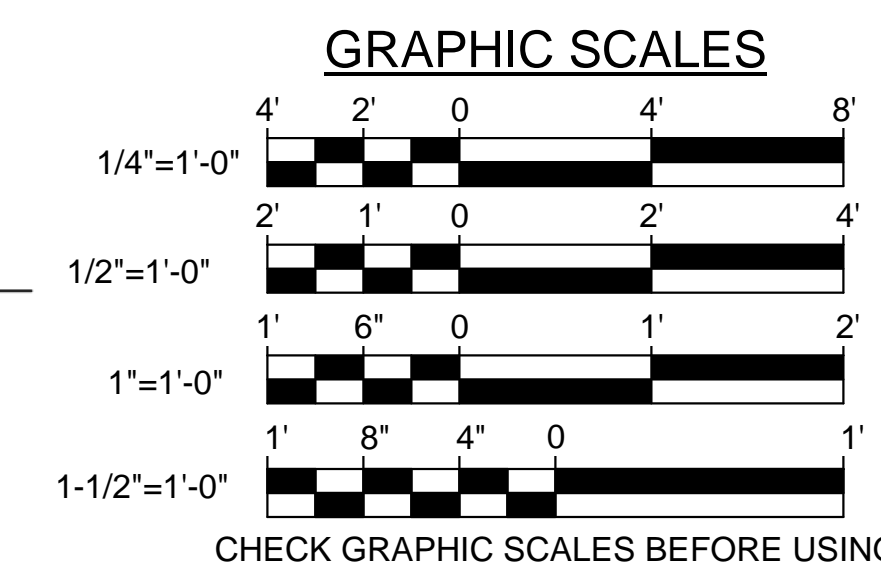
**11 TYP STAIR LANDING EDGE DETAIL**  
AE440 AE440 SCALE: 1 1/2" = 1'-0"



**12 TYP STAIR TOP LANDING DETAIL**  
AE440 AE440 SCALE: 1/2" = 1'-0"



**13 TYP STAIR S01 RAILING DETAIL**  
AE440 AE440 SCALE: 1/2" = 1'-0"



NO.	DATE	DESCRIPTION	BY	NO.
		REVISIONS		

**STATE OF MAINE PUBLIC SCHOOL PROJECT**  
 PORTLAND PUBLIC SCHOOLS  
 NEW FRED P. HALL ELEMENTARY SCHOOL  
 LOCATION: 23 ORONO ROAD, PORTLAND, ME  
 TITLE THIS DWG: ENLARGED STAIR PLANS AND SECTIONS 1

APPROVED ARCHITECT  
 ROBERT C. TULLOSON  
 ARCHITECT  
 STATE OF MAINE

DRAWN BY: DEM  
 CHECK BY: TGB  
 DATE: 03/17/17

OAK POINT ASSOCIATES  
 AE440  
 SHEET NO. 161 OF 312