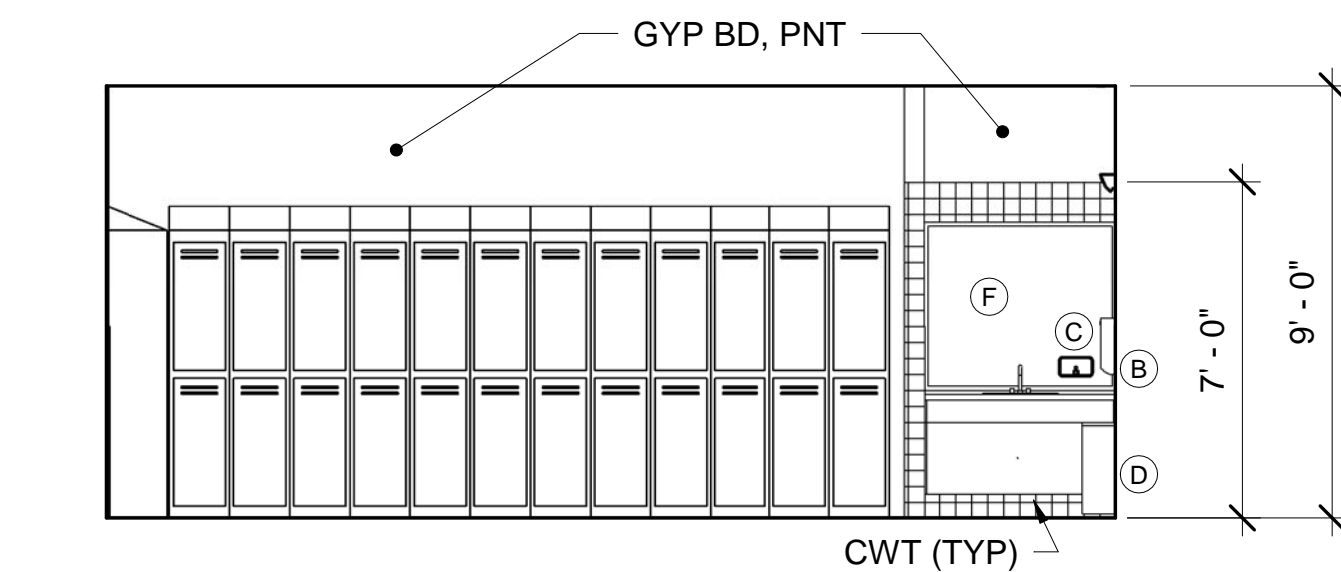
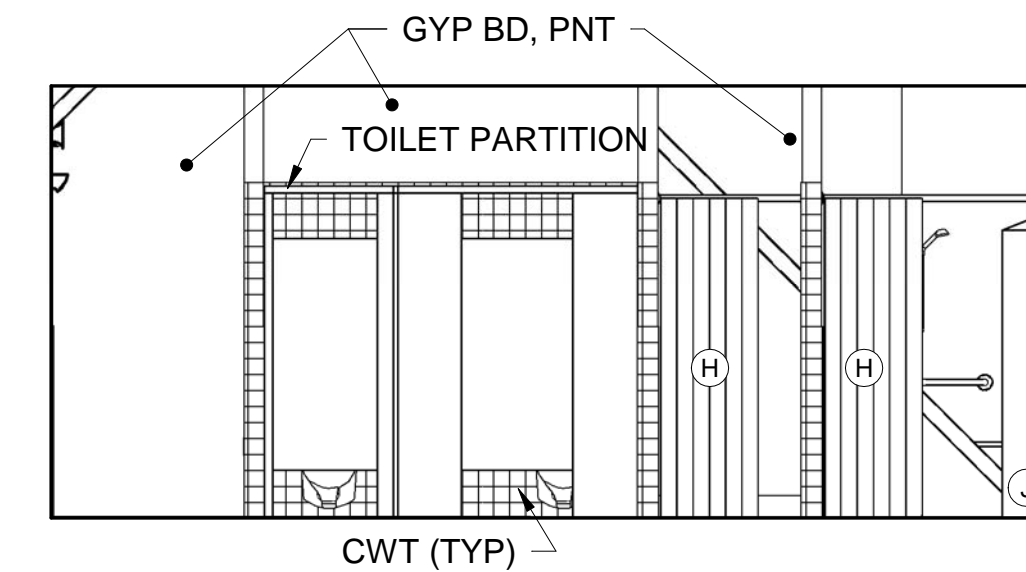


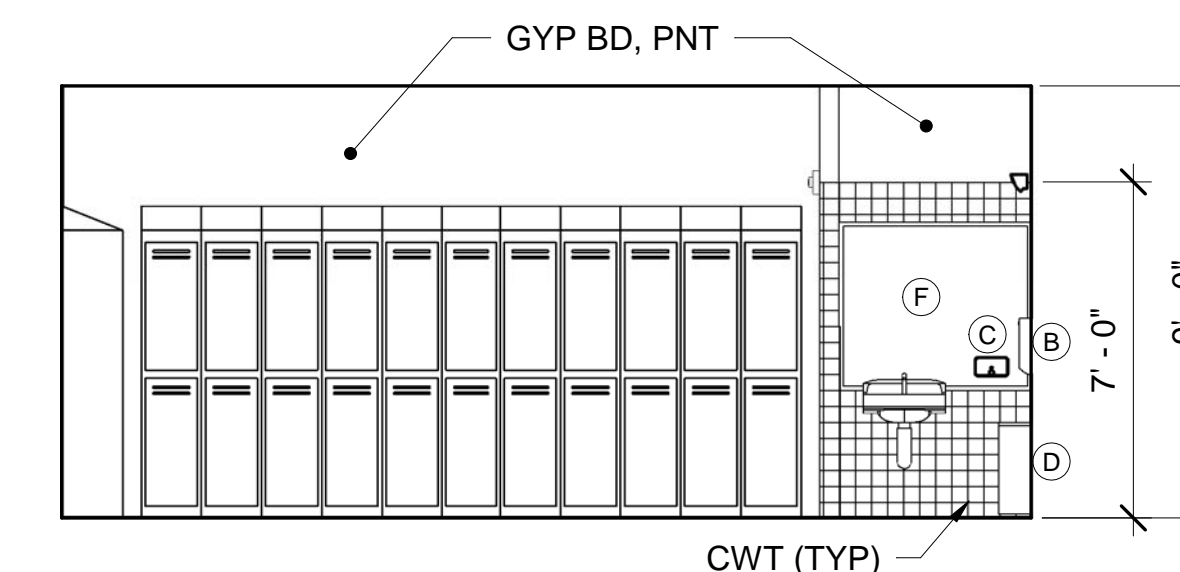
**1 ENLARGED LOCKER ROOM A31 & A32 PLAN**  
AE101 AE421 SCALE: 1/4" = 1'-0"



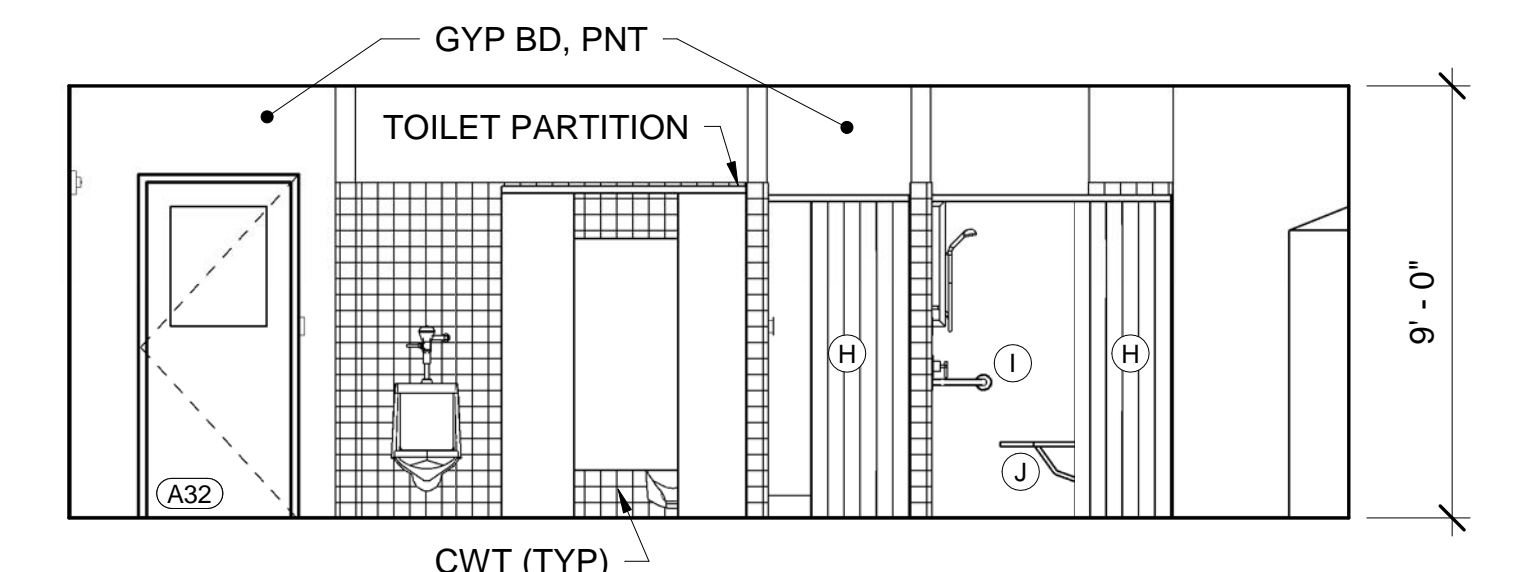
**2 LOCKER ROOM A31 - NORTH ELEV**  
AE421 AE421 SCALE: 1/4" = 1'-0"



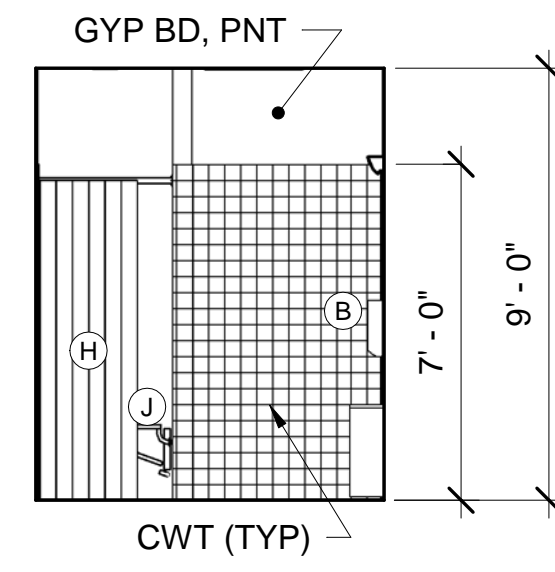
**3 LOCKER ROOM A31 - SOUTH ELEV**  
AE421 AE421 SCALE: 1/4" = 1'-0"



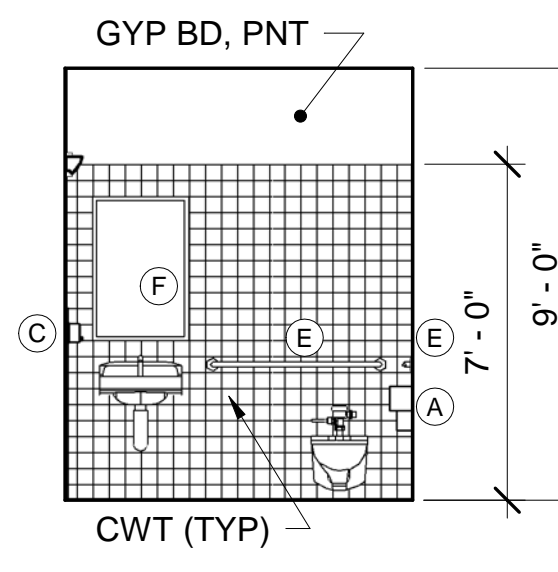
**4 LOCKER ROOM A32 - WEST ELEV**  
AE421 AE421 SCALE: 1/4" = 1'-0"



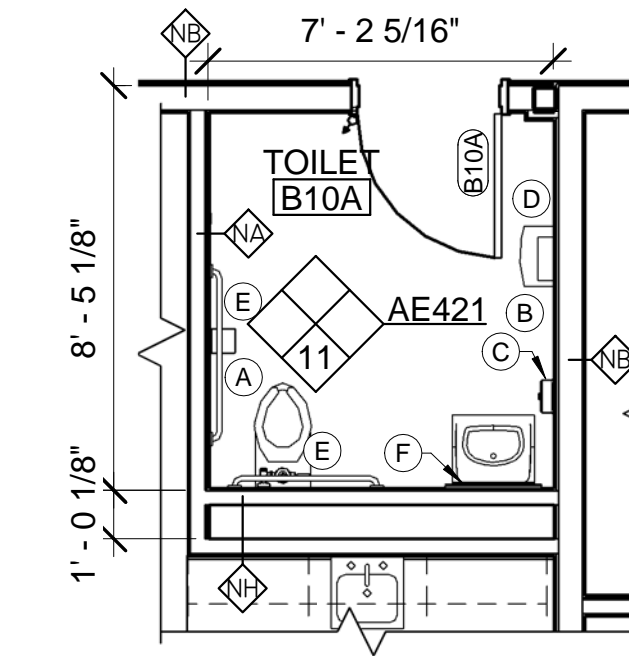
**5 LOCKER ROOM A32 - EAST ELEV**  
AE421 AE421 SCALE: 1/4" = 1'-0"



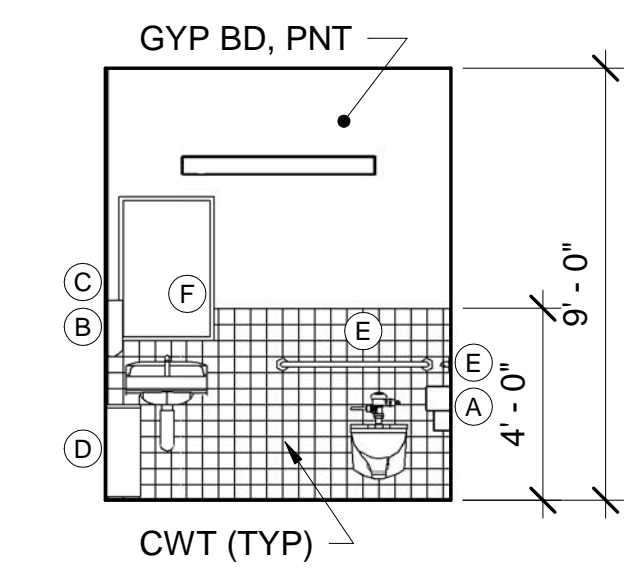
**6 TOILET ROOM A31A - NORTH ELEV**  
AE421 AE421 SCALE: 1/4" = 1'-0"



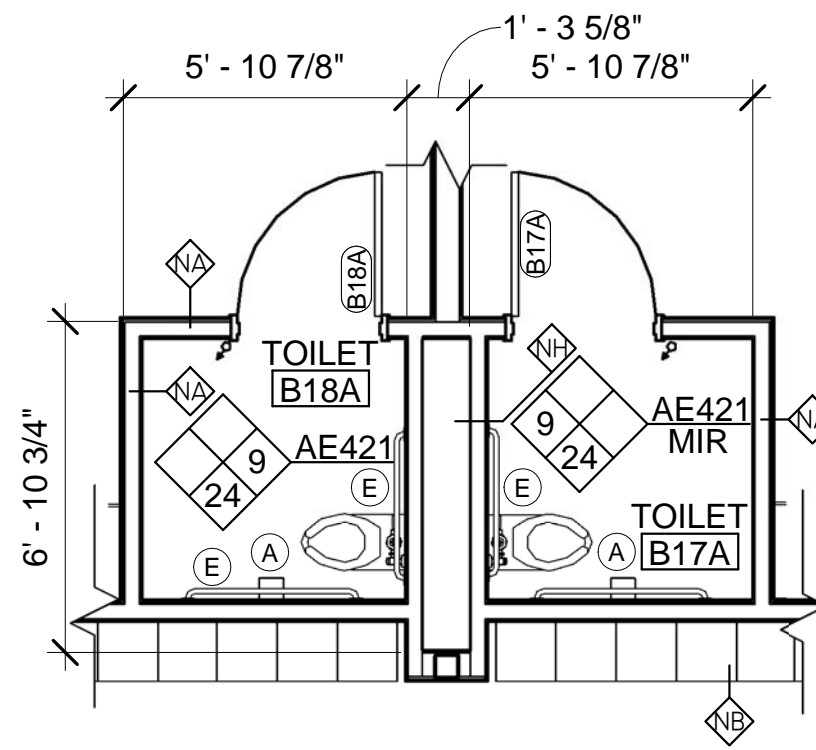
**7 TOILET ROOM A31A - SOUTH ELEV**  
AE421 AE421 SCALE: 1/4" = 1'-0"



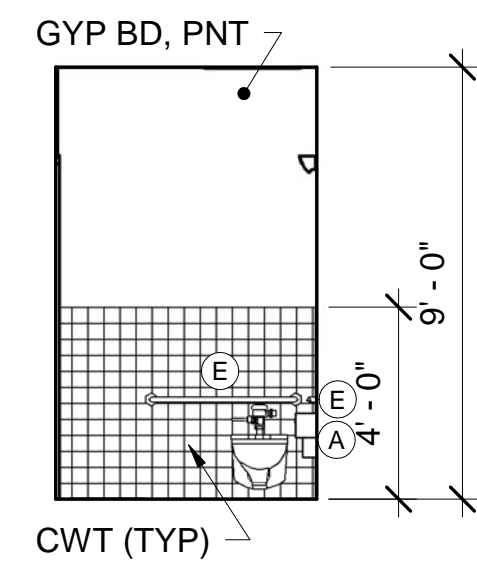
**10 ENLARGED TOILET ROOM B10A PLAN**  
AE102 AE421 SCALE: 1/4" = 1'-0"



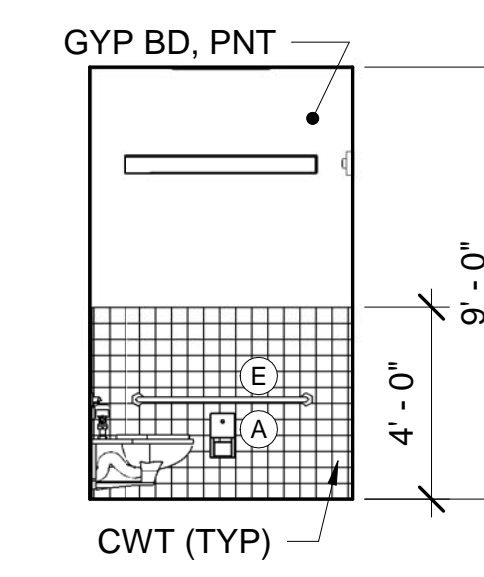
**11 TOILET ROOM B10A - SOUTH ELEV**  
AE421 AE421 SCALE: 1/4" = 1'-0"



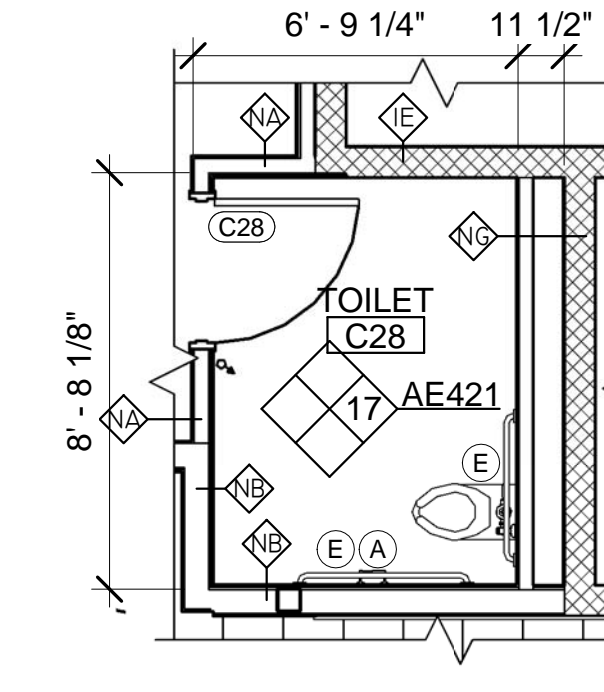
**8 ENLARGED TOILET B17A & B18A PLAN**  
AE102 AE421 SCALE: 1/4" = 1'-0"



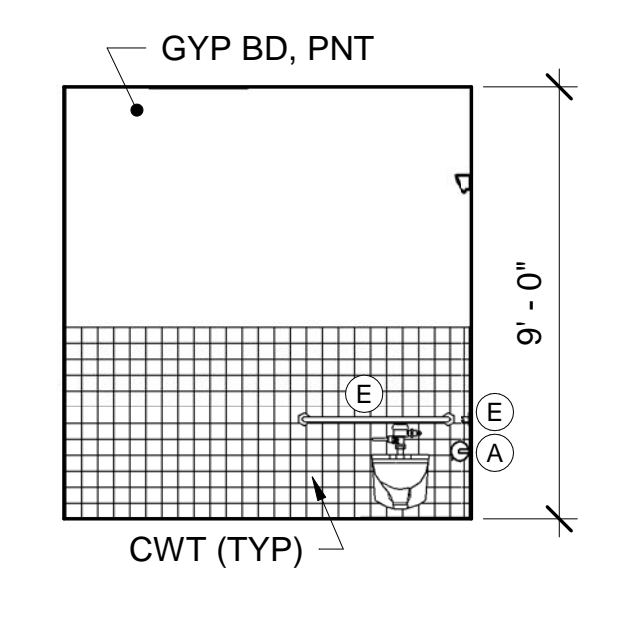
**9 TOILET ROOM B17A - EAST ELEV**  
AE421 AE421 SCALE: 1/4" = 1'-0"



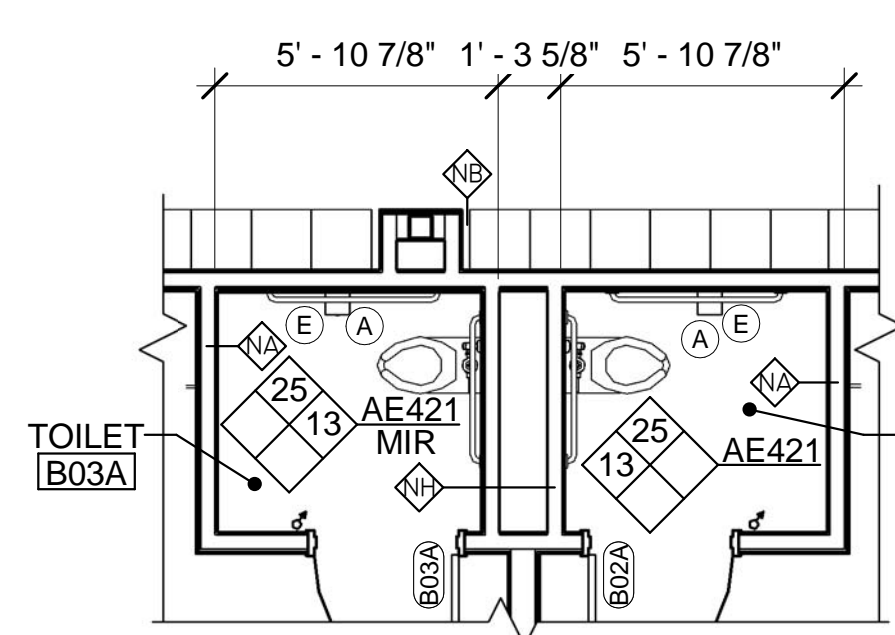
**24 TOILET ROOM B17A - SOUTH ELEV**  
AE001 AE421 SCALE: 1/4" = 1'-0"



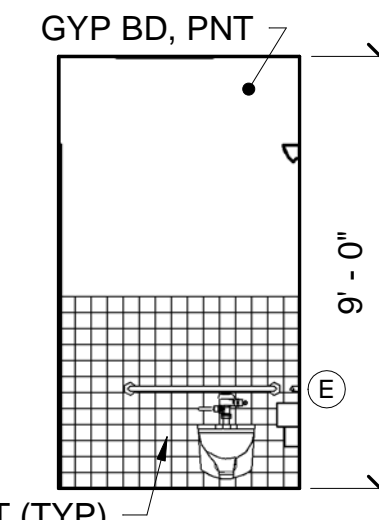
**16 ENLARGED TOILET ROOM C28 PLAN**  
AE103 AE421 SCALE: 1/4" = 1'-0"



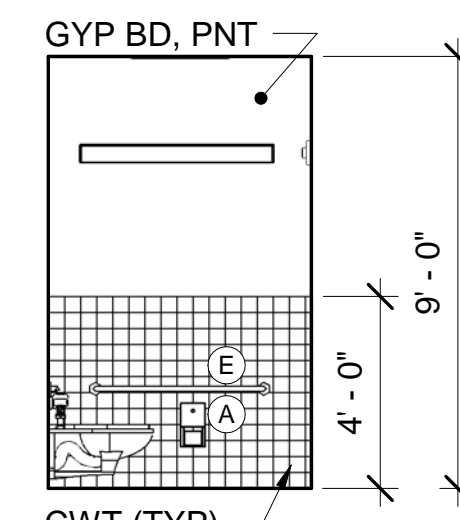
**17 TOILET ROOM C28 - EAST ELEVATION**  
AE421 AE421 SCALE: 1/4" = 1'-0"



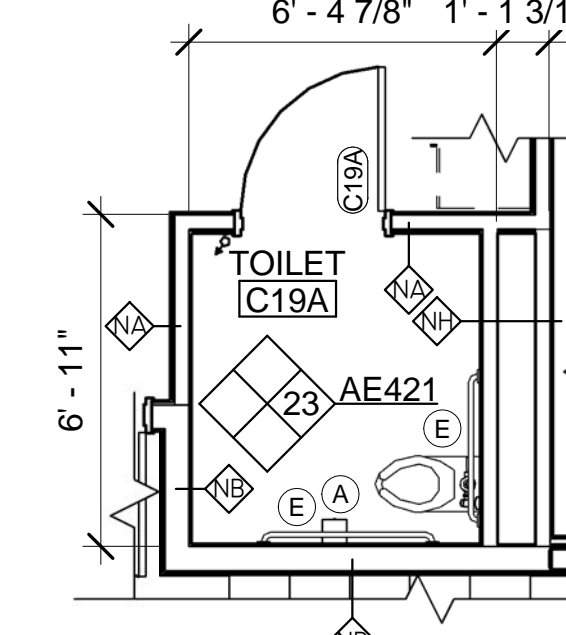
**12 ENLARGED TOILET ROOM B02A & B03A PLAN**  
AE102 AE421 SCALE: 1/4" = 1'-0"



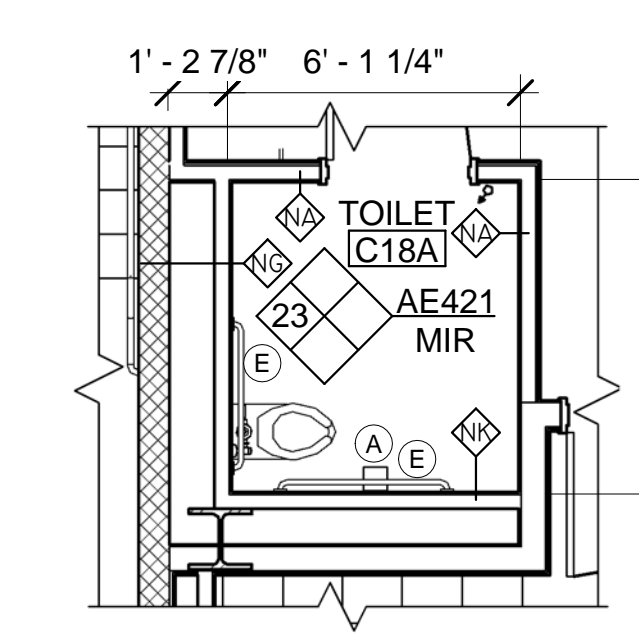
**13 TOILET ROOM B02A - WEST ELEV**  
AE421 AE421 SCALE: 1/4" = 1'-0"



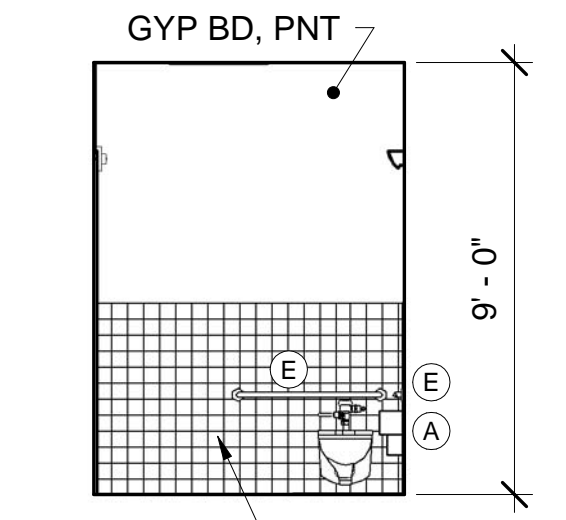
**25 TOILET ROOM B02A - NORTH ELEV**  
AE421 AE421 SCALE: 1/4" = 1'-0"



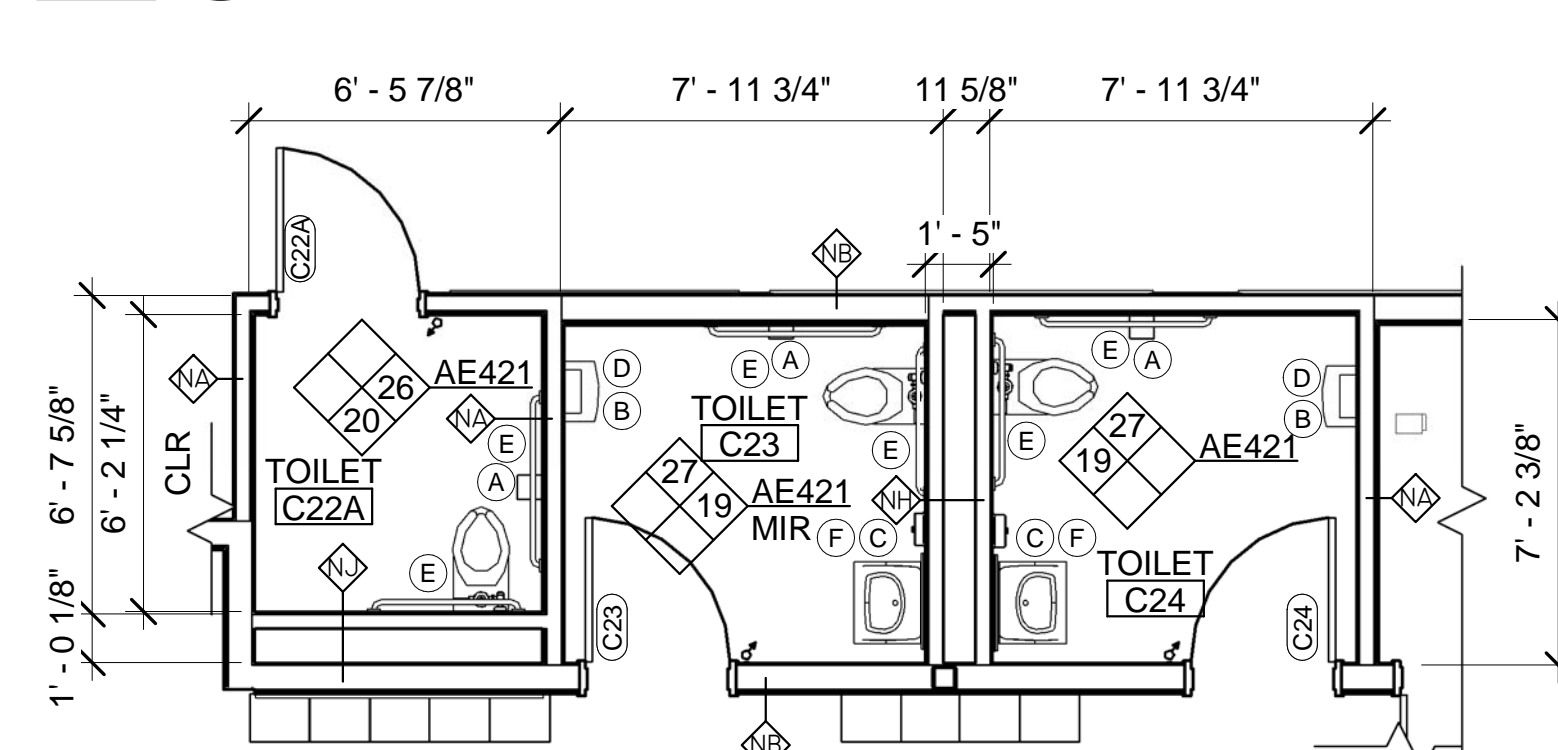
**21 ENLARGED TOILET ROOM C19A PLAN**  
AE103 AE421 SCALE: 1/4" = 1'-0"



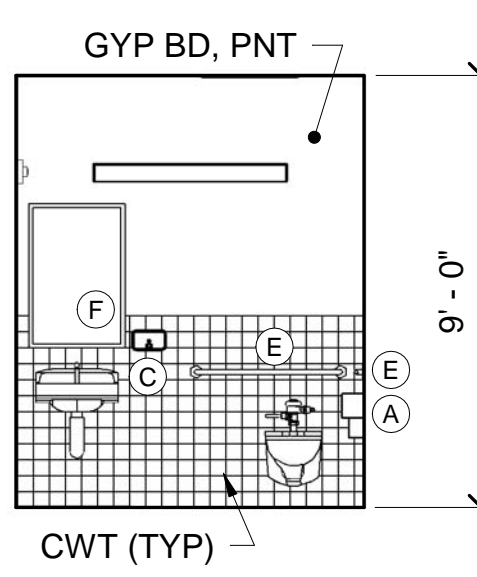
**22 ENLARGED TOILET ROOM C18A PLAN**  
AE103 AE421 SCALE: 1/4" = 1'-0"



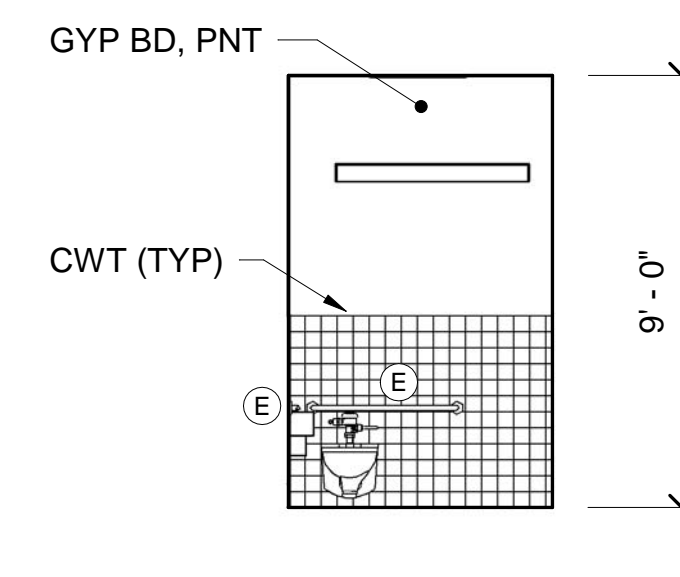
**23 TOILET ROOM C19A - EAST ELEV**  
AE421 AE421 SCALE: 1/4" = 1'-0"



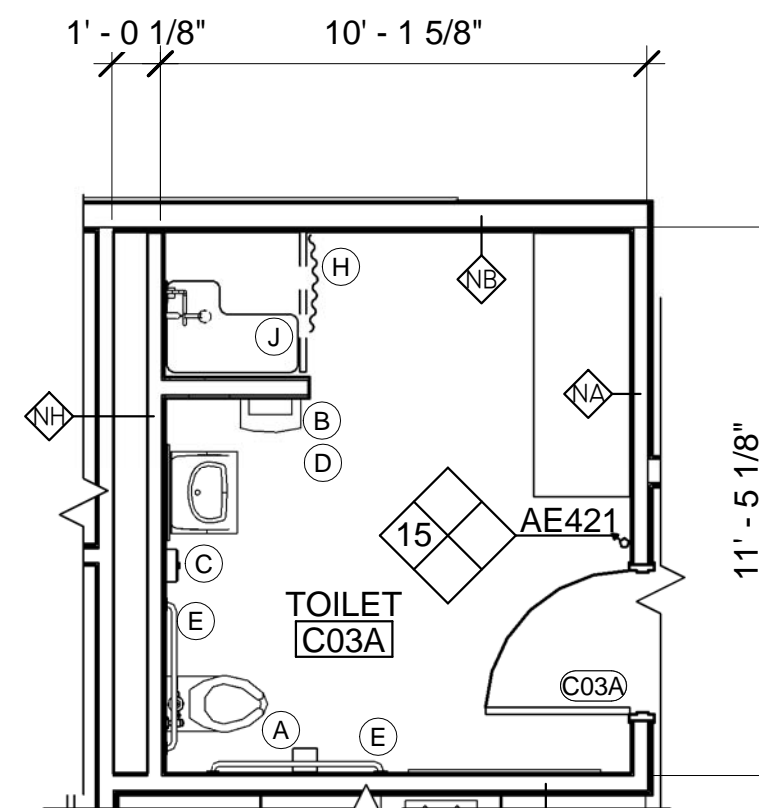
**18 ENLARGED TOILET ROOM C22A, C23, C24 PLAN**  
AE103 AE421 SCALE: 1/4" = 1'-0"



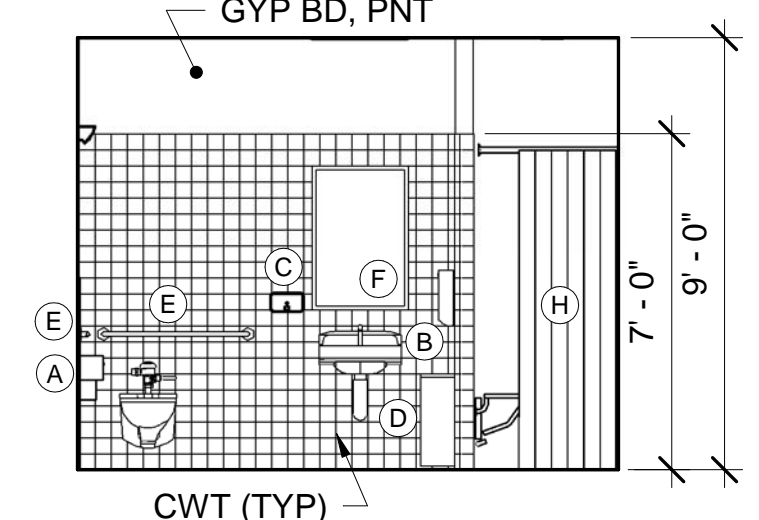
**19 TOILET ROOM C24 - EAST ELEV**  
AE421 AE421 SCALE: 1/4" = 1'-0"



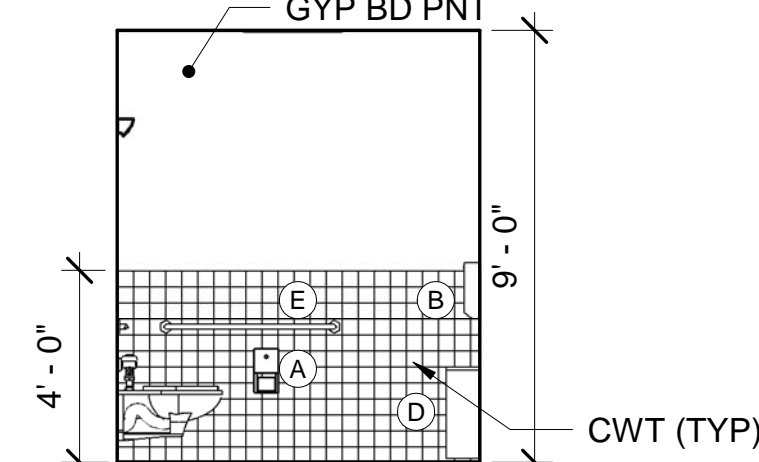
**20 TOILET ROOM C22A - SOUTH ELEV**  
AE421 AE421 SCALE: 1/4" = 1'-0"



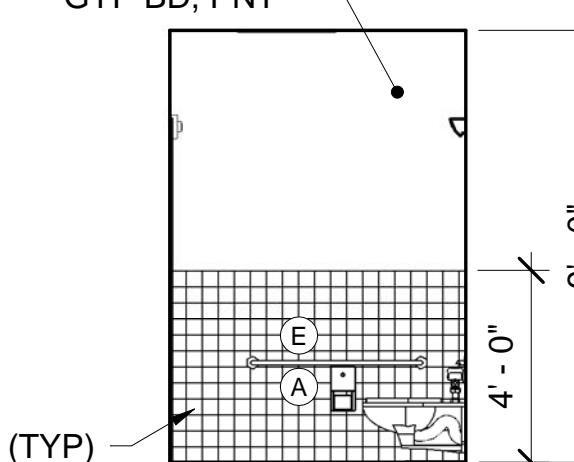
**14 ENLARGED TOILET ROOM C03A PLAN**  
AE103 AE421 SCALE: 1/4" = 1'-0"



**15 TOILET ROOM C03A - WEST ELEV**  
AE421 AE421 SCALE: 1/4" = 1'-0"

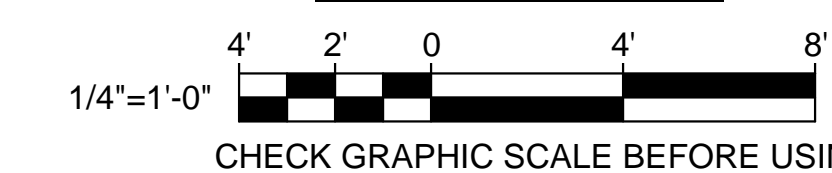


**27 TOILET ROOM C24 - NORTH ELEV**  
AE421 AE421 SCALE: 1/4" = 1'-0"



**26 TOILET ROOM C22A - EAST ELEV**  
AE421 AE421 SCALE: 1/4" = 1'-0"

GRAPHIC SCALE



		<b>STATE OF MAINE PUBLIC SCHOOL PROJECT</b> TITLE: PORTLAND PUBLIC SCHOOLS NEW FRED P. HALL ELEMENTARY SCHOOL LOCATION: 23 ORONO ROAD, PORTLAND, ME TITLE THIS DWG: ENLARGED TOILET PLANS 1	
DRAWN BY: DEM CHECK BY: TGB	BY: NO. DATE: 03/17/17	NO. DATE DESCRIPTION REVISIONS	