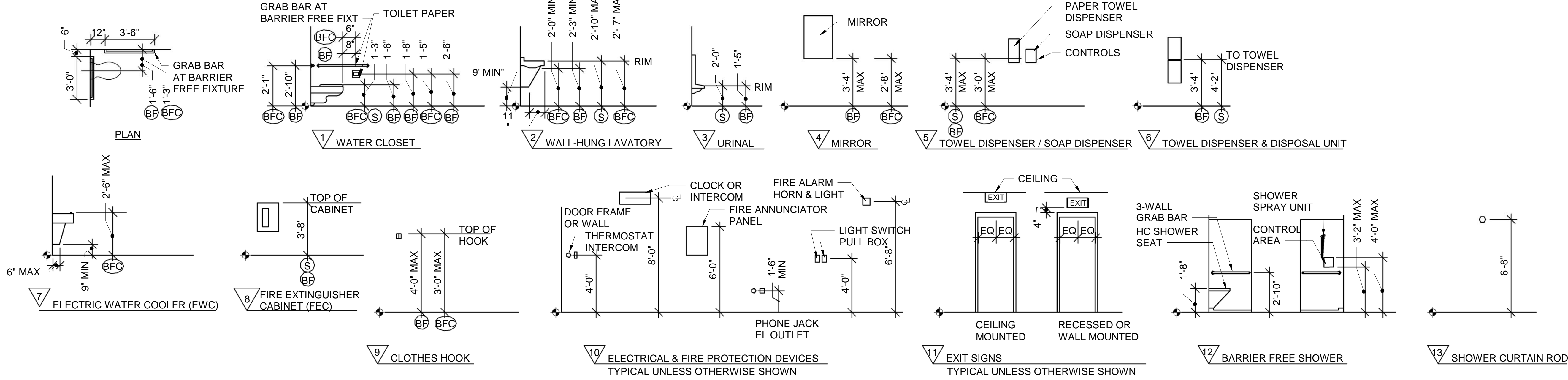


**STANDARD MOUNTING HEIGHTS**  
NOT TO SCALE

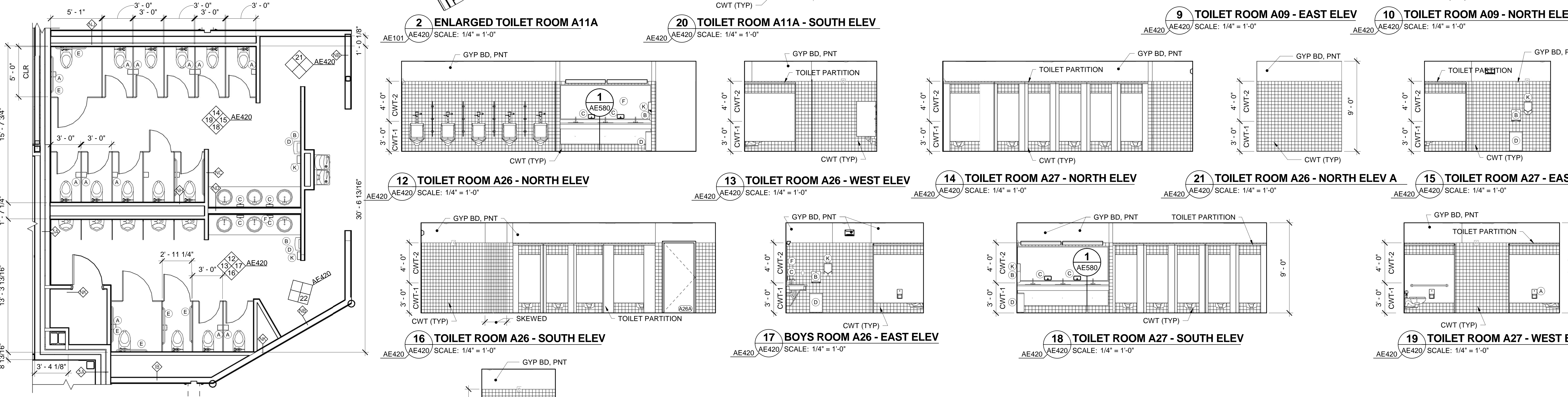
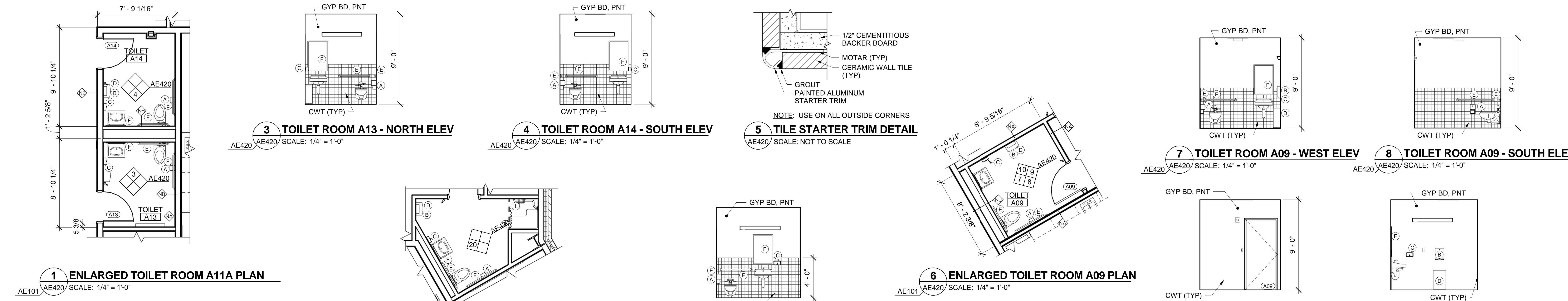


RESTROOM ACCESSORY SCHEDULE		
LTR	ITEM	COMMENTS
A	TOILET TISSUE DISPENSER	
B	PAPER TOWEL DISPENSER	OWNER PROVIDED CONTRACTOR INSTALLED
C	SOAP DISPENSER (WALL MOUNTED)	OWNER PROVIDED CONTRACTOR INSTALLED
D	WASTE RECEPT (FREESTANDING)	
E	1 1/2" DIAMETER GRAB RAIL	
F	MIRROR	
G	CHANGING STATION	
H	SHOWER CURTAIN WITH ROD	
I	HC SHOWER GRAB BAR	
J	HC SHOWER SEAT	
K	DYSON AIR BLADE	

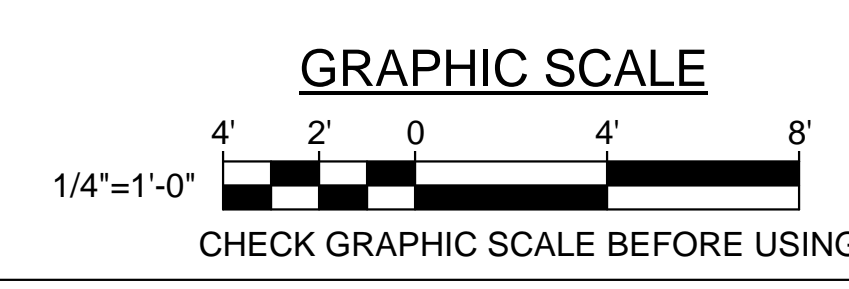
**NOTE:**  
1. COORDINATE BLOCKING LOCATIONS W/ACCESSORY ITEMS SUPPLIED BY OWNER.  
2. SEE AE001 FOR MOUNTING HEIGHTS.

**ABBREVIATIONS**  
PT DISP PAPER TOWEL DISPENSER  
WC WATER CLOSET  
EA EACH  
BF OR B BARRIER FREE  
VIF VERIFY IN FIELD  
BOD BASIS OF DESIGN

**LEGEND**  
S STANDARD MOUNTING HEIGHT  
BF BARRIER FREE ADULT MOUNTING HEIGHT  
BFC BARRIER FREE CHILDREN MOUNTING HEIGHT  
FF FINISH FLOOR LINE



**NOTE: USE ON ALL OUTSIDE CORNERS**  
1/2" CEMENTITIOUS BACKER BOARD  
MOTAR (TYP)  
CERAMIC WALL TILE (TYP)  
GROUT  
PAINTED ALUMINUM STARTER TRIM



		<b>STATE OF MAINE</b> <b>PUBLIC SCHOOL PROJECT</b> TITLE: PORTLAND PUBLIC SCHOOLS NEW FRED P. HALL ELEMENTARY SCHOOL LOCATION: 23 ORONO ROAD, PORTLAND, ME	
		TITLE THIS DWG: STANDARDS MOUNTING HEIGHTS, TOILET ROOM PLANS AND ELEVATIONS	
DRAWN BY: DEM CHECK BY: TGB	NO. DATE DESCRIPTION REVISIONS	BY NO. DATE 03/17/17	OAK POINT ASSOCIATES AE420 SHEET NO. 158 OF 312