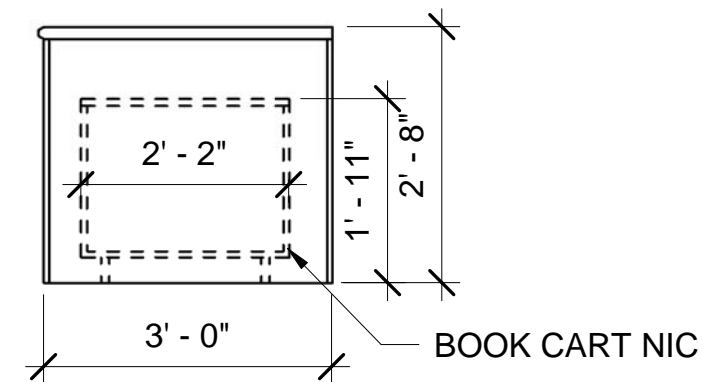
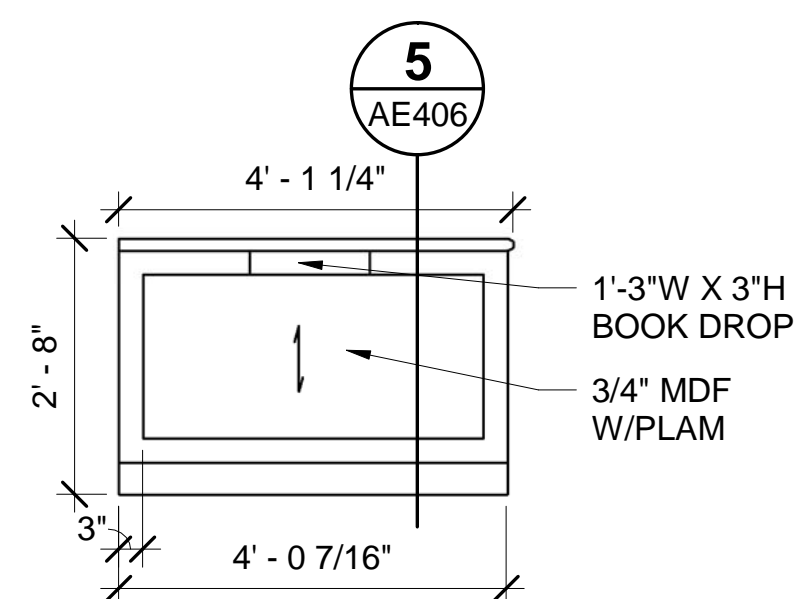


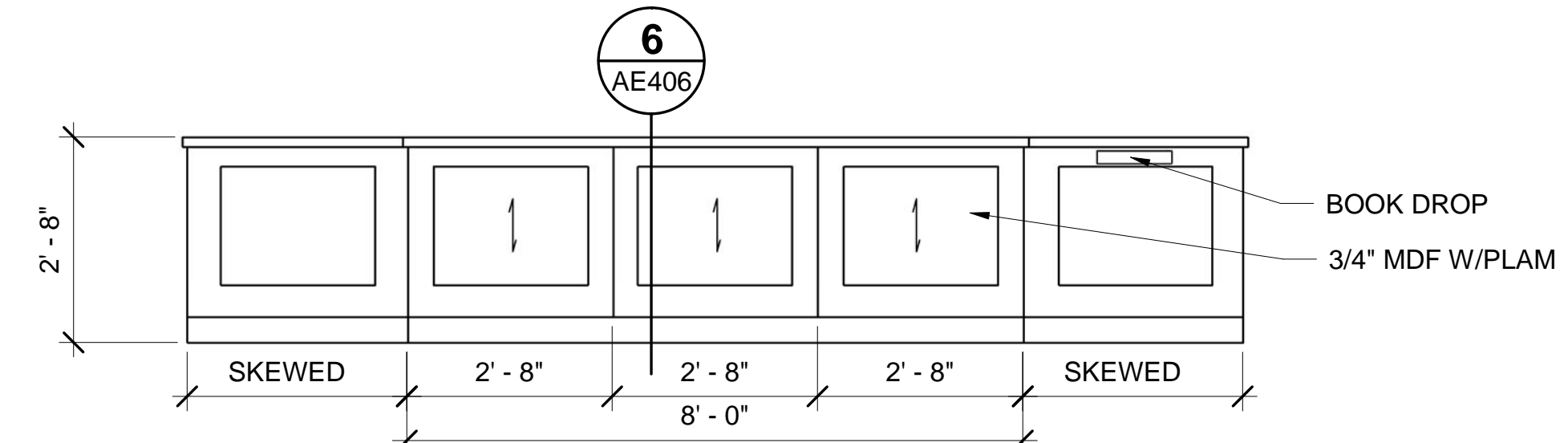
1 CIRCULATION DESK REAR ELEVATION
AE405/AE406/ SCALE: 1/2" = 1'-0"



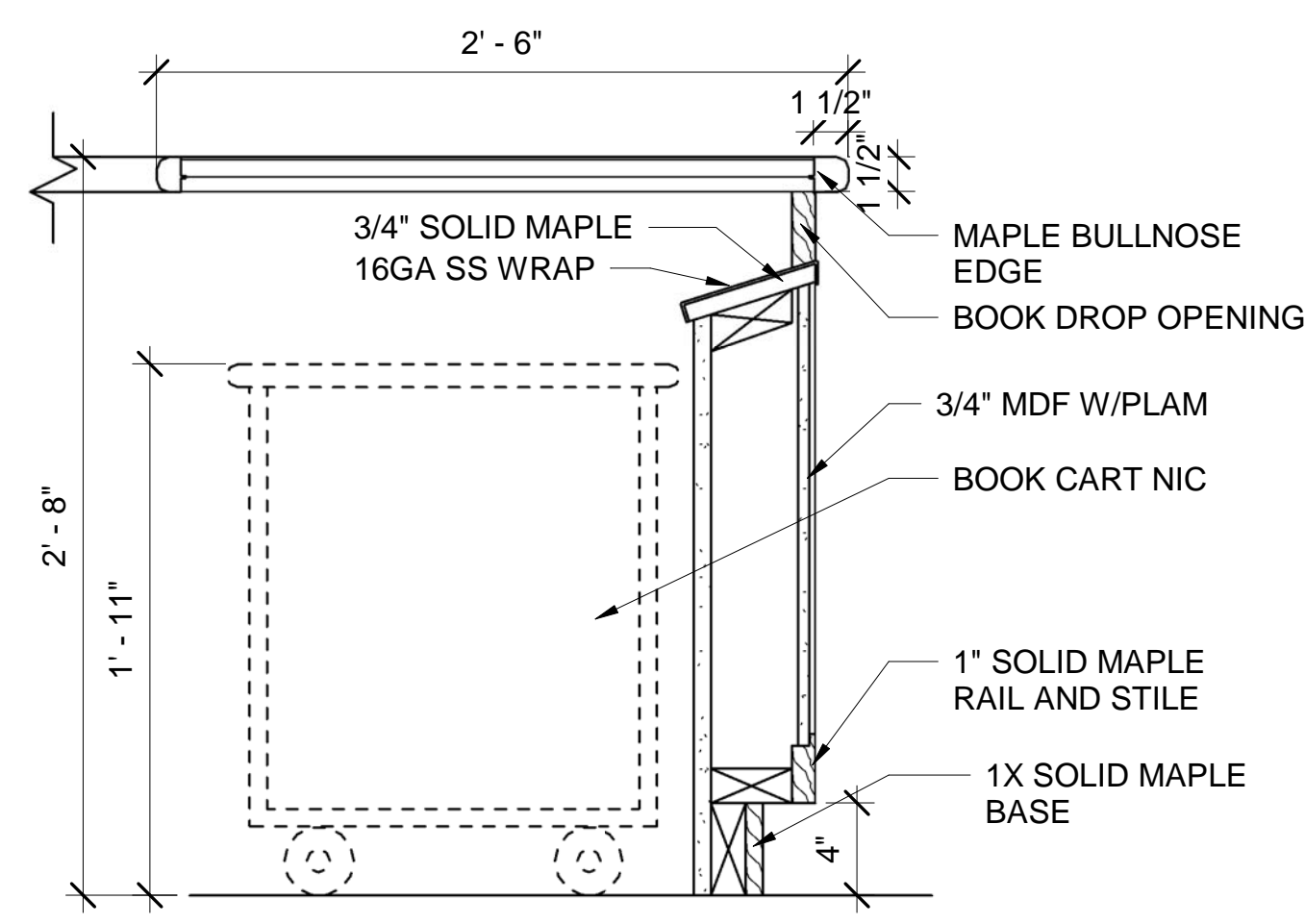
4 CIRCULATION DESK REAR ELEVATION 2
AE405/AE406/ SCALE: 1/2" = 1'-0"



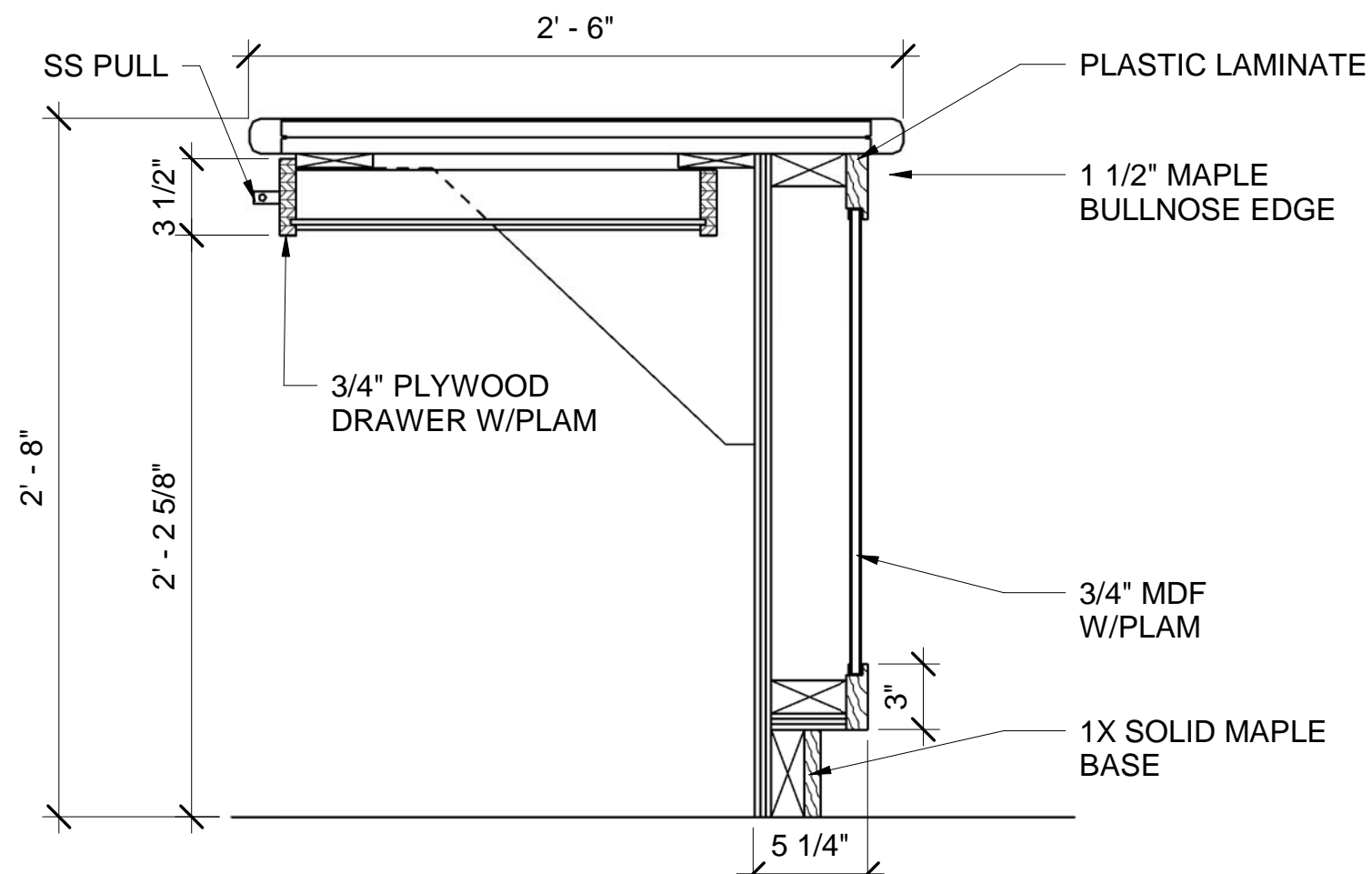
2 CIRCULATION DESK SIDE ELEVATION
AE405/AE406/ SCALE: 1/2" = 1'-0"



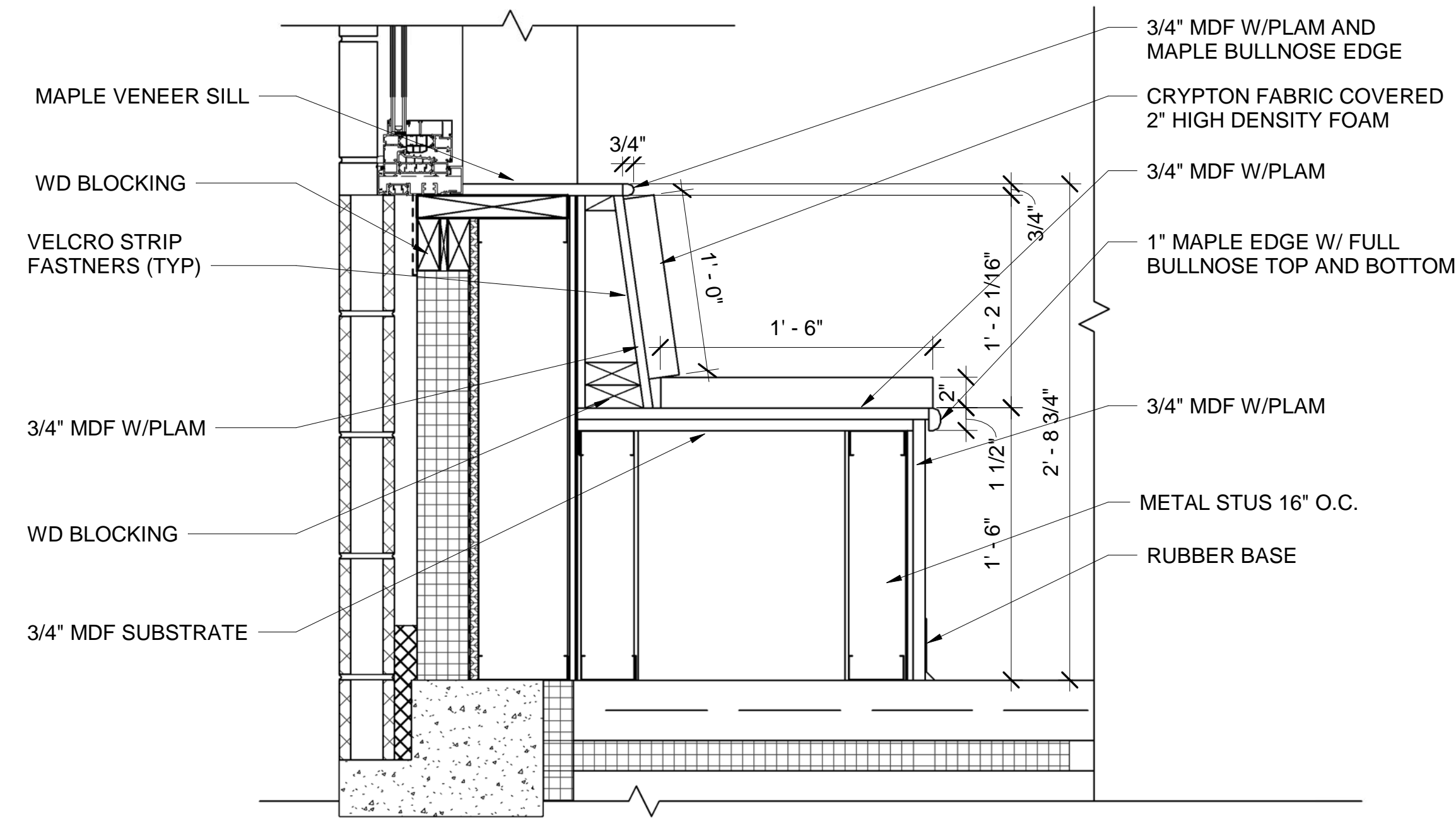
3 CIRCULATION DESK FRONT ELEVATION
AE405/AE406/ SCALE: 1/2" = 1'-0"



5 CIRCULATION DESK BOOK DROP
AE406/AE406/ SCALE: 1 1/2" = 1'-0"

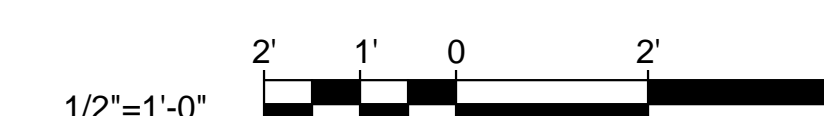
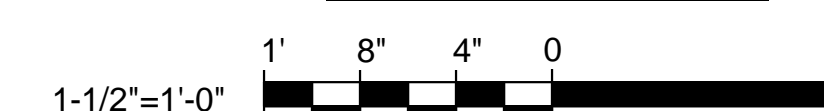


6 CIRCULATION DESK SECTION
AE406/AE406/ SCALE: 1 1/2" = 1'-0"



7 LIBRARY WINDOW SEAT DETAIL
AE405/AE406/ SCALE: 1 1/2" = 1'-0"

GRAPHIC SCALES



		<p>STATE OF MAINE PUBLIC SCHOOL PROJECT</p> <p>TITLE: PORTLAND PUBLIC SCHOOLS NEW FRED P. HALL ELEMENTARY SCHOOL LOCATION: 23 ORONO ROAD, PORTLAND, ME</p> <p>TITLE THIS DWG: LIBRARY DETAILS</p>
<p>DRAWN BY: CET CHECK BY: TGB</p>	<p>NO. DATE DESCRIPTION BY NO.</p> <p>REVISIONS DATE 03/17/17</p>	<p>OAK POINT ASSOCIATES AE406</p> <p>231 Main Street, Biddeford, Maine 04005</p>