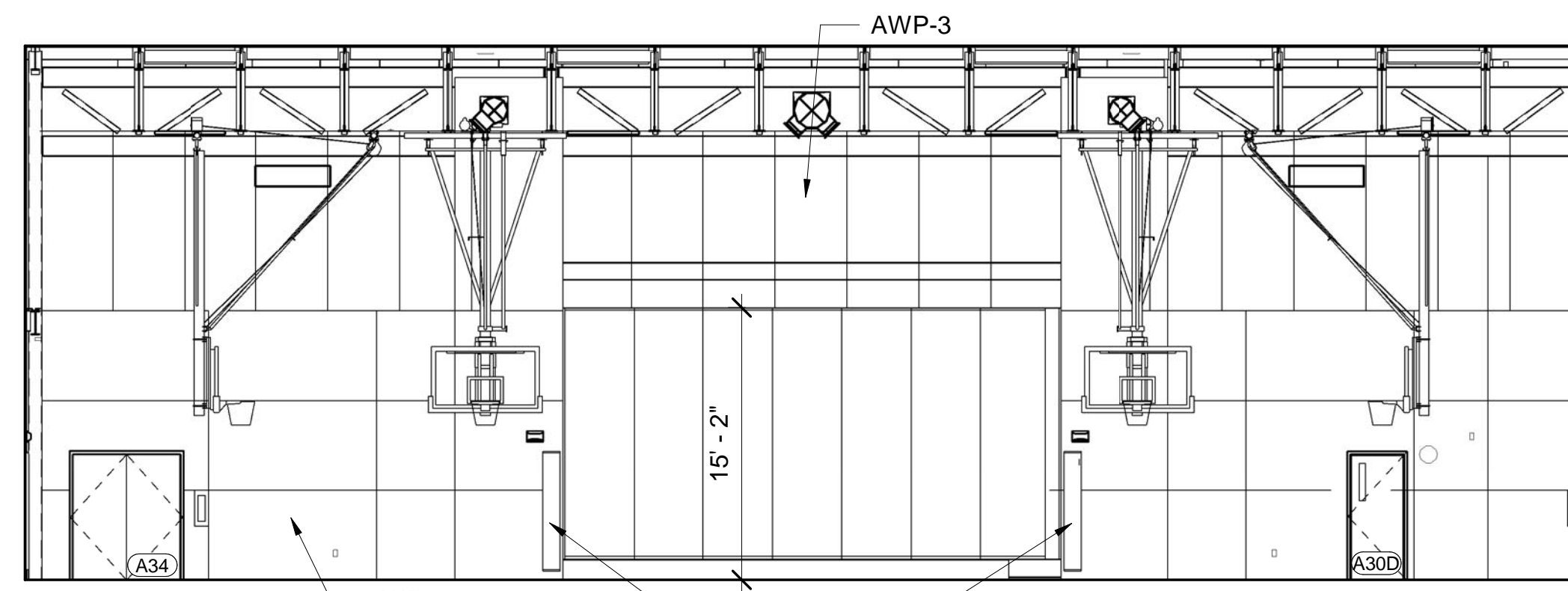
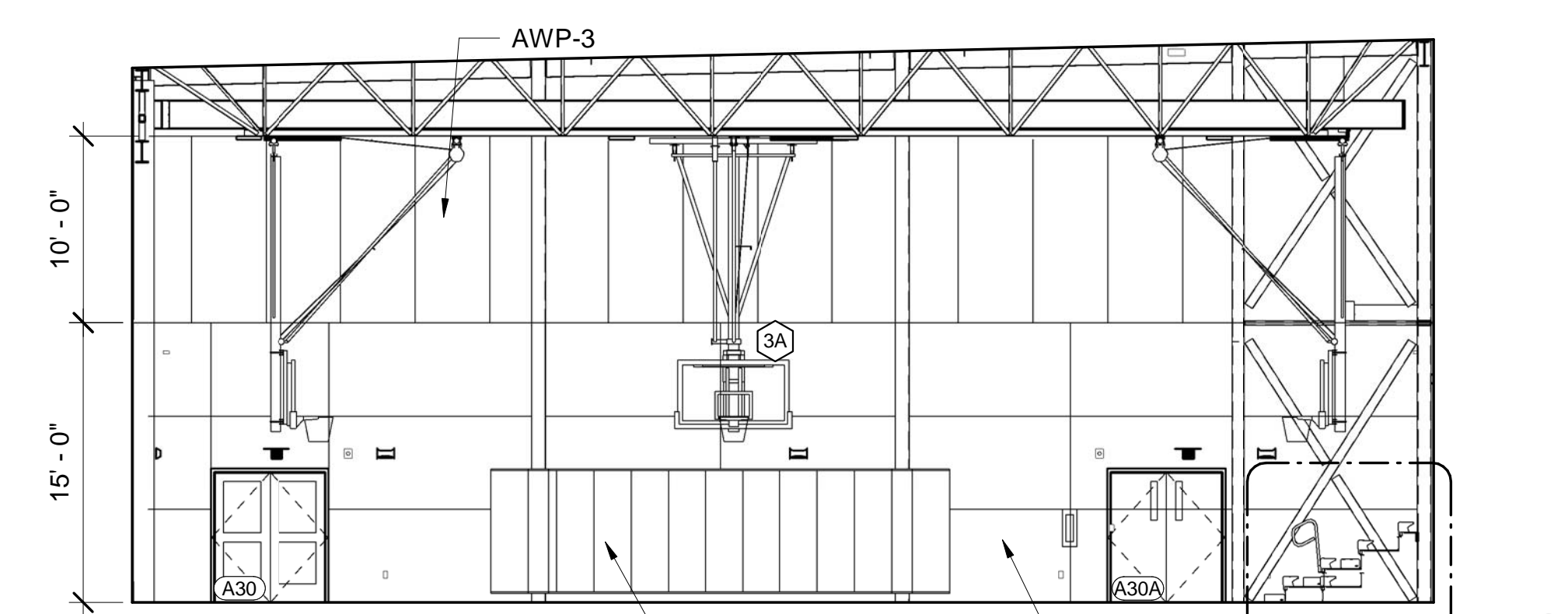


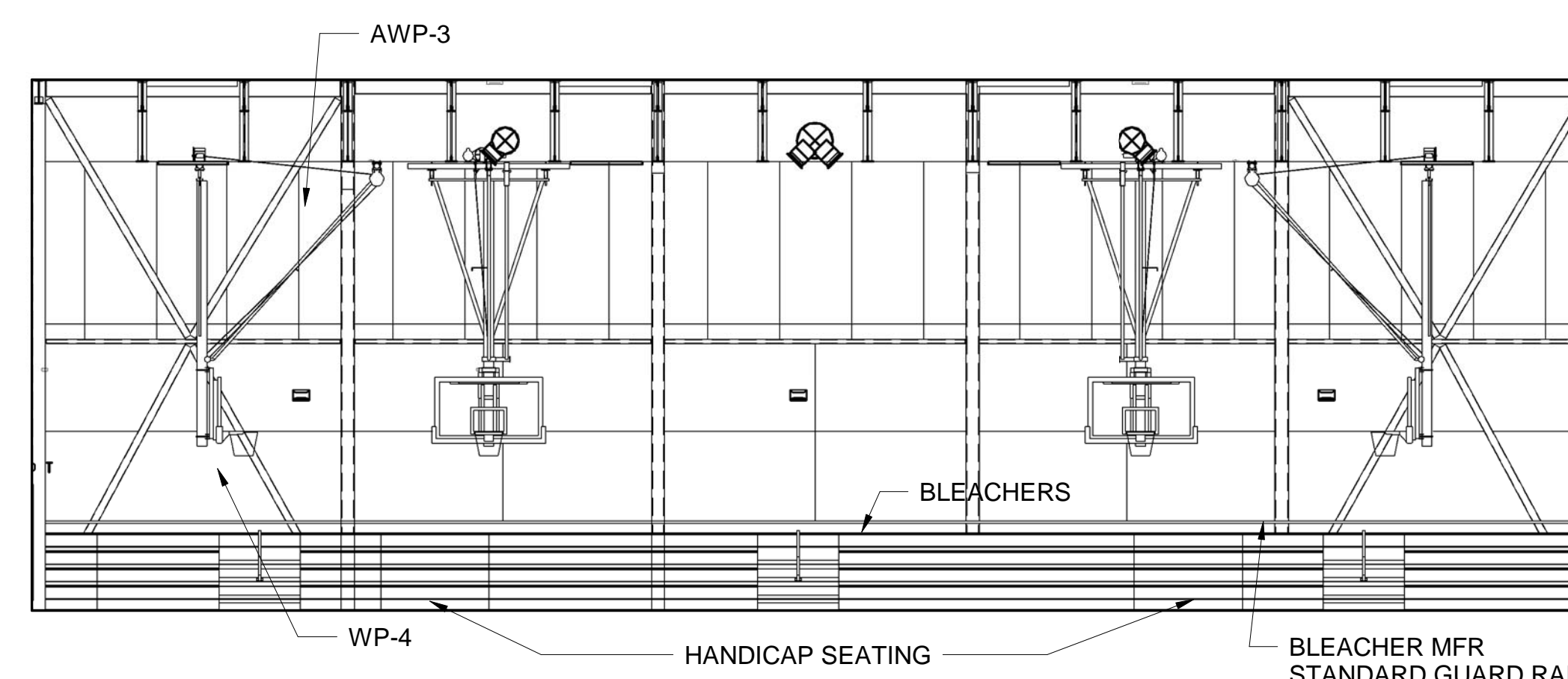
**1 GYM A30 PLAN**  
AE101/AE401 SCALE: 1/8" = 1'-0"



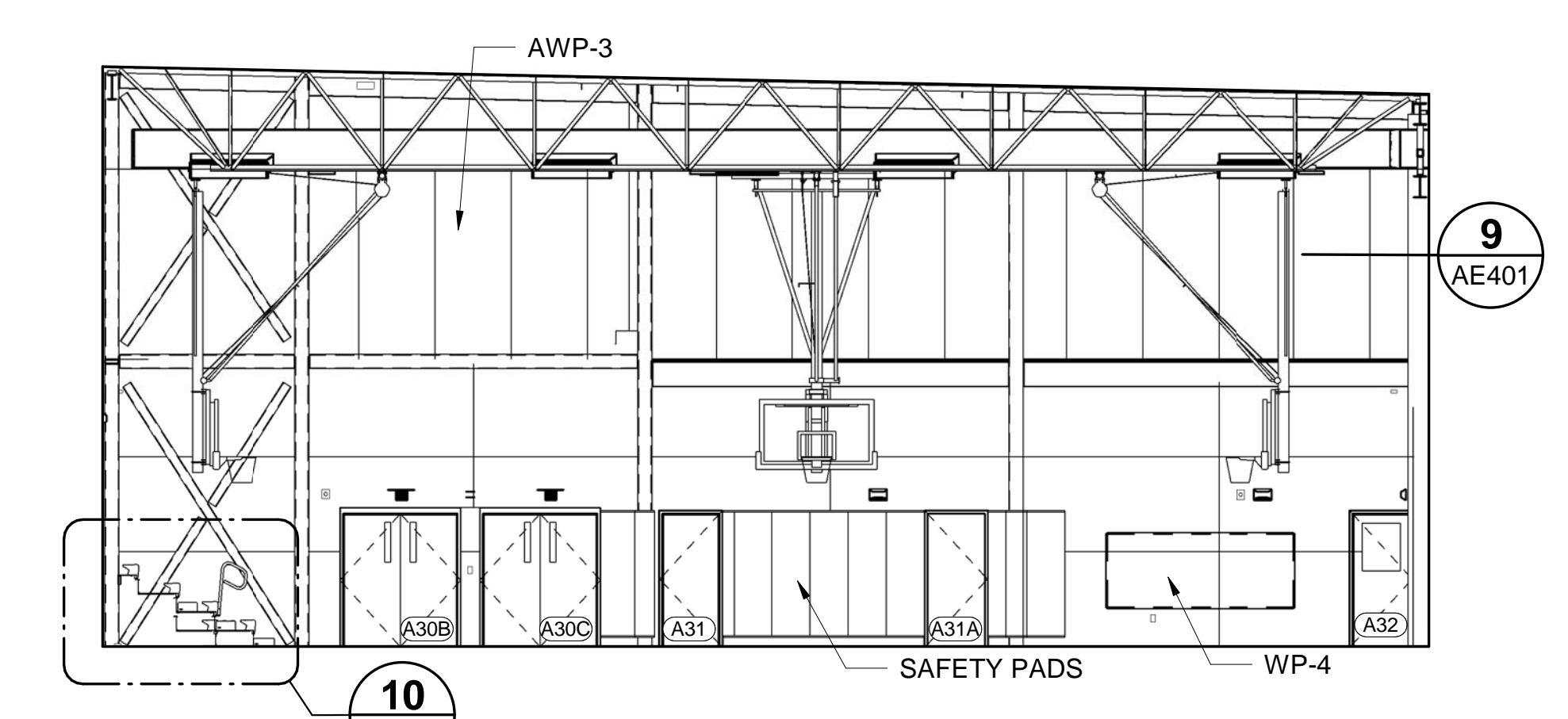
**2 GYM A30 - NORTH ELEV**  
AE401/AE401 SCALE: 1/8" = 1'-0"



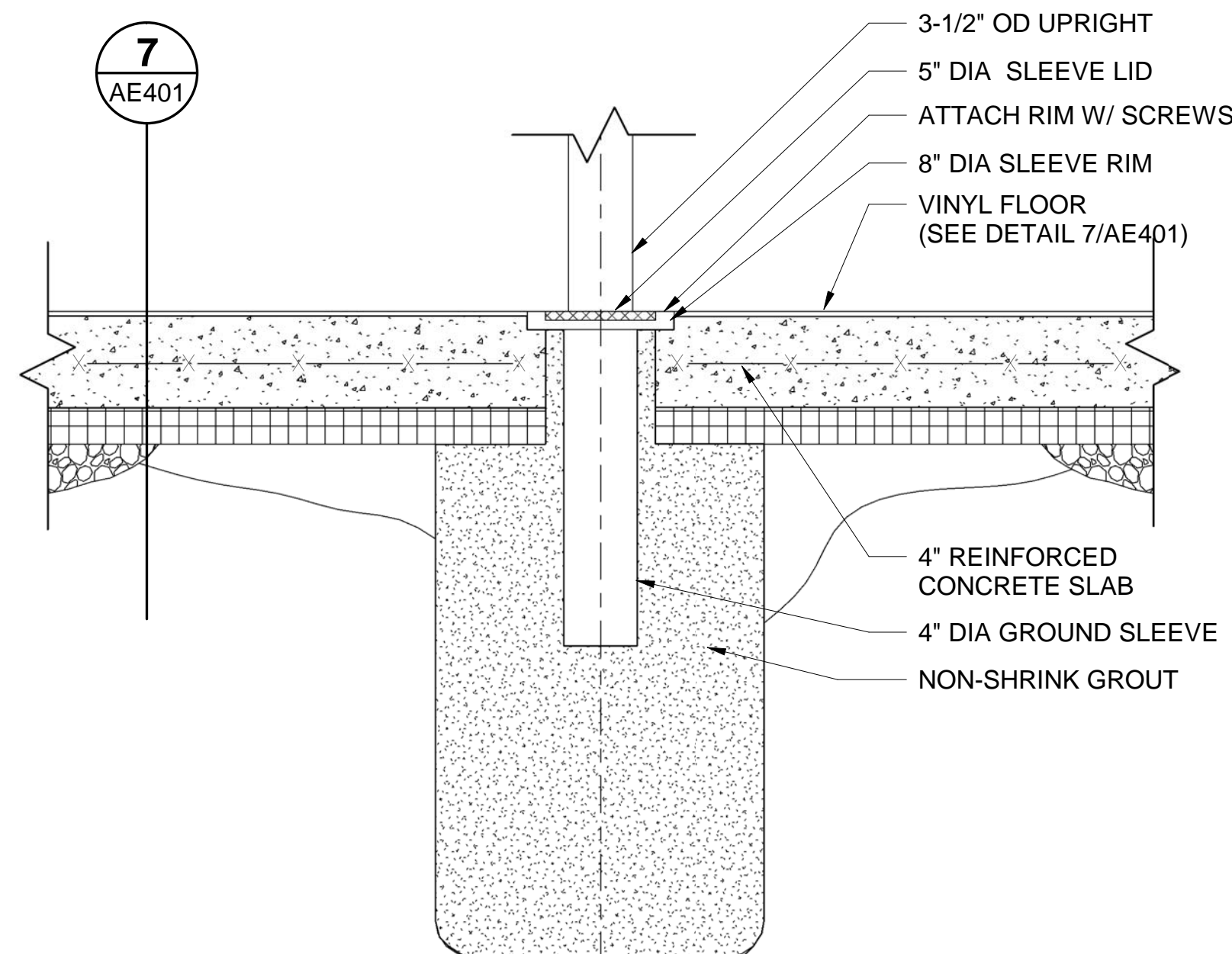
**3 GYM A30 - EAST ELEV**  
AE401/AE401 SCALE: 1/8" = 1'-0"



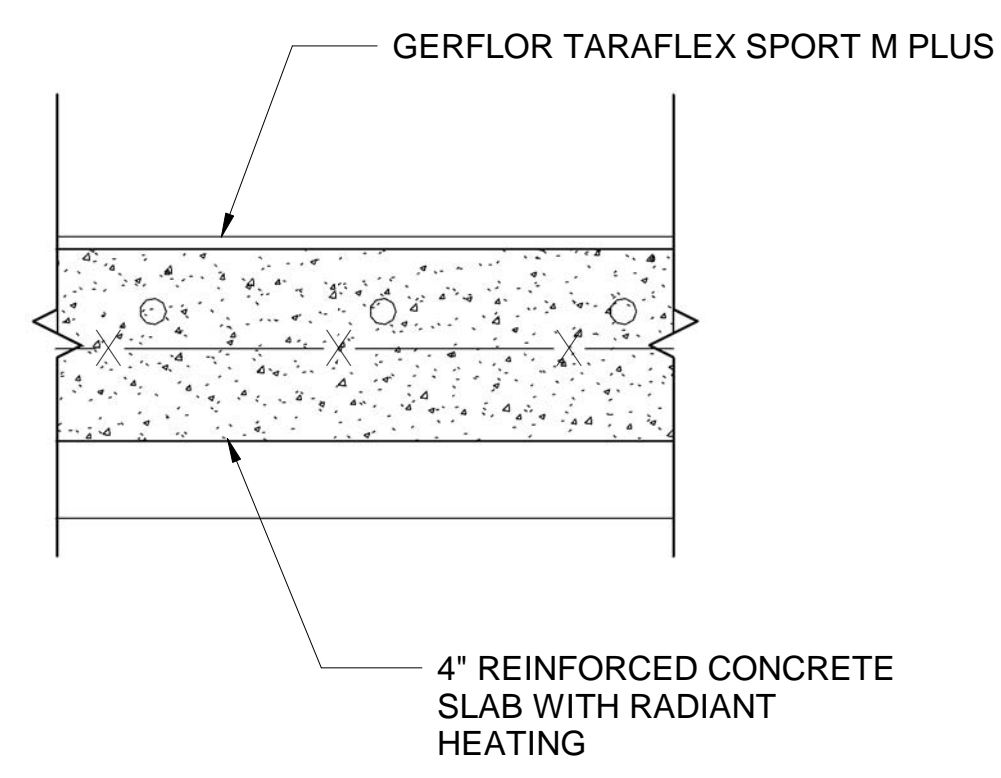
**4 GYM A30 - SOUTH ELEV**  
AE401/AE401 SCALE: 1/8" = 1'-0"



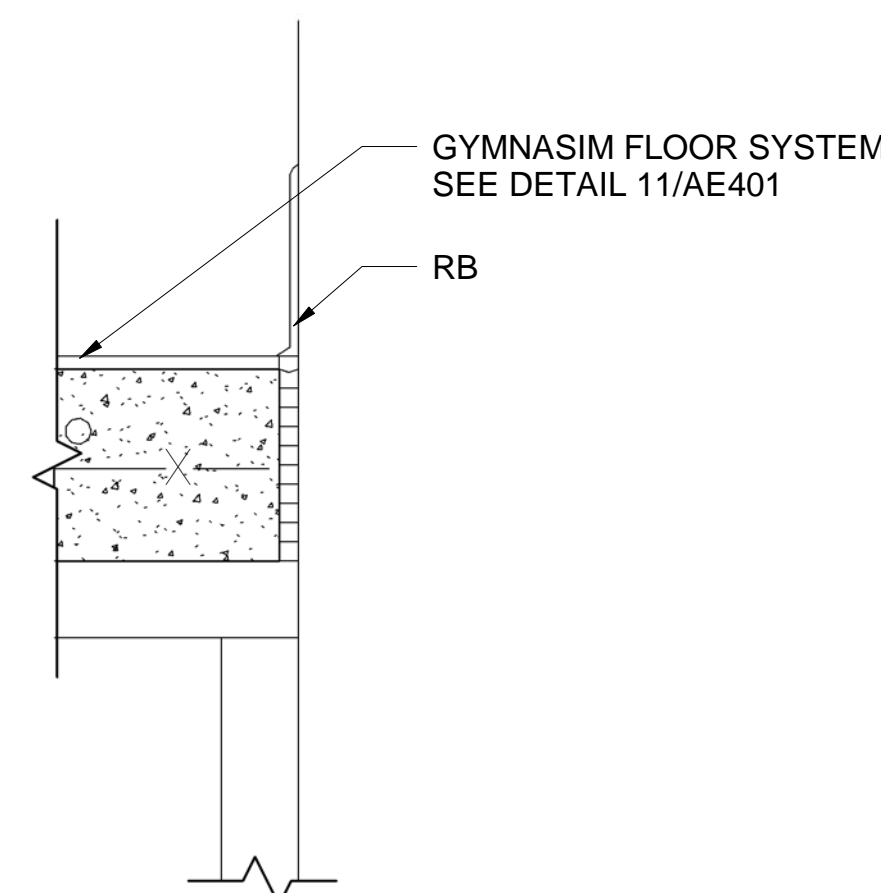
**5 GYM A30 - WEST ELEV**  
AE401/AE401 SCALE: 1/8" = 1'-0"



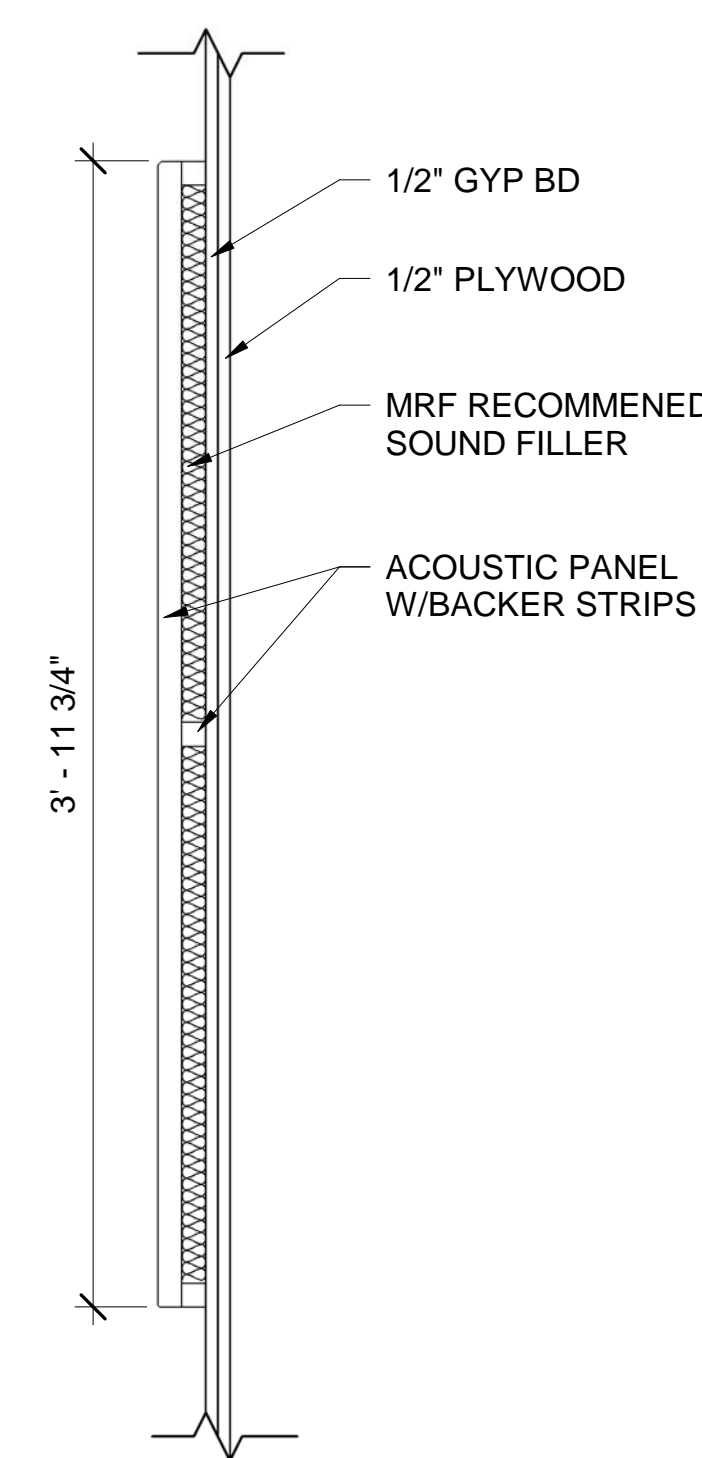
**6 VOLLEYBALL SLEEVE AND FOOTING**  
AE401/AE401 SCALE: 1 1/2" = 1'-0"



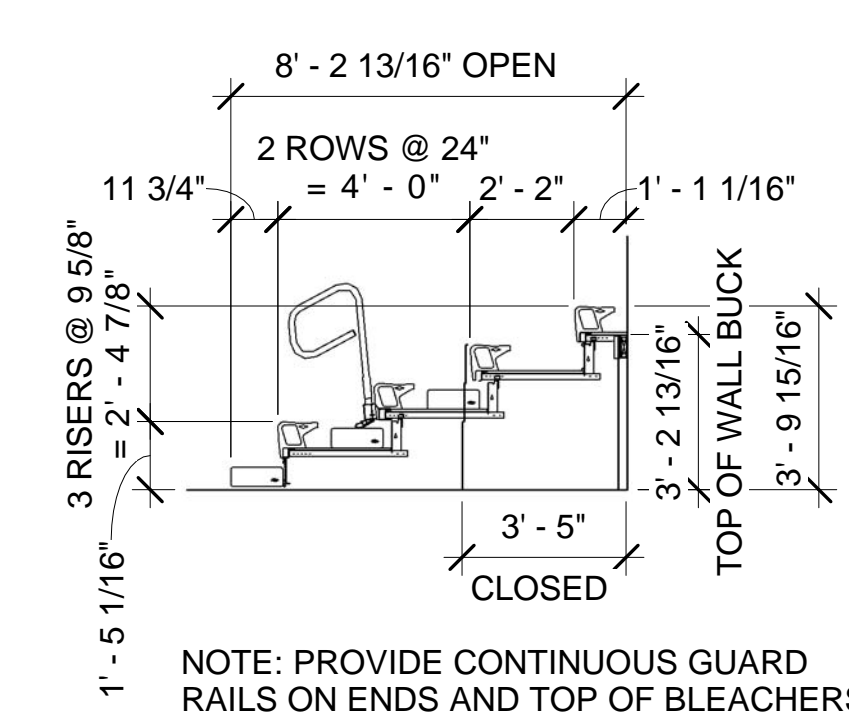
**7 TYP GYM FLOOR SYSTEM**  
AE401/AE401 SCALE: 3" = 1'-0"



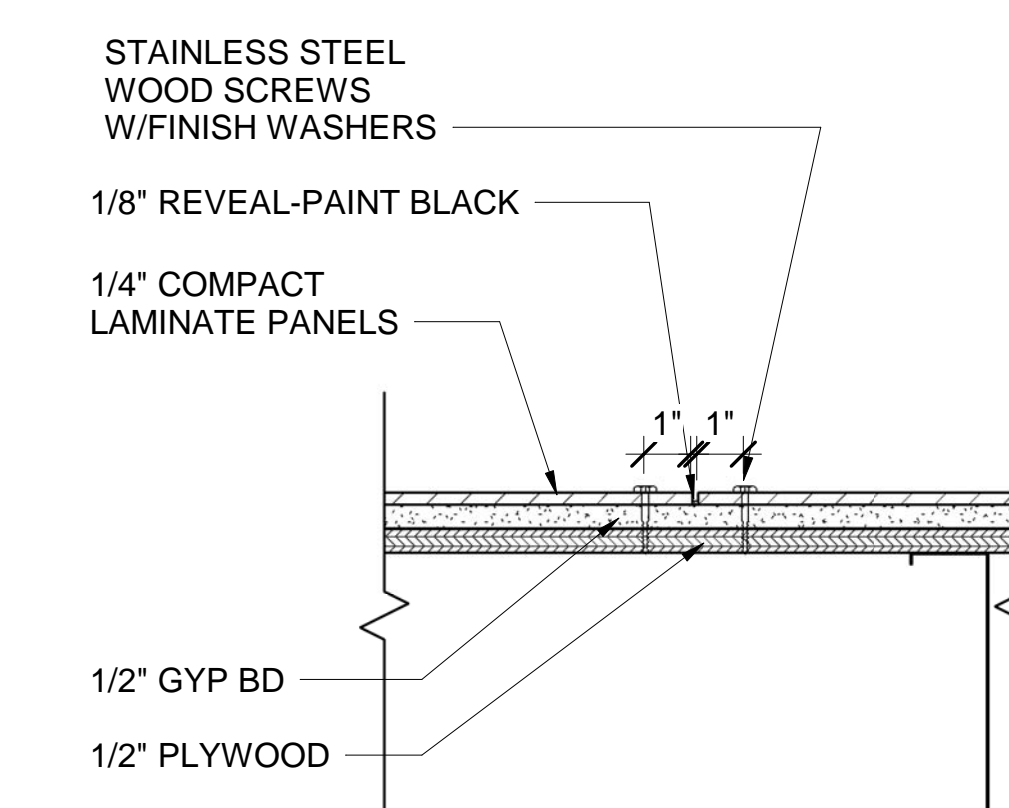
**8 TYP BASE DETAIL**  
AE401/AE401 SCALE: 3" = 1'-0"



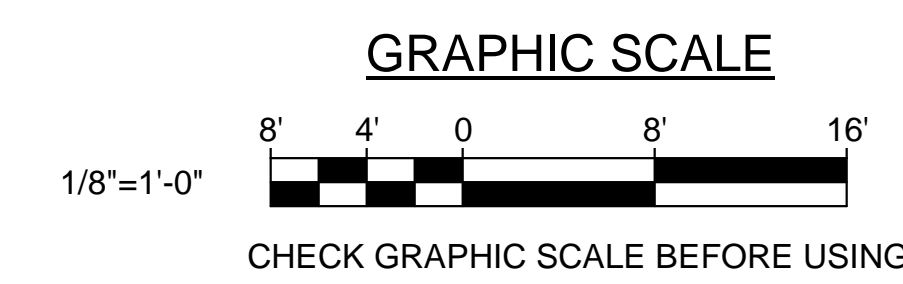
**9 TECTUM PANEL**  
AE401/AE401 SCALE: 1 1/2" = 1'-0"



**10 TYP BLEACHER SECTION**  
AE401/AE401 SCALE: 1/4" = 1'-0"



**11 GYM PANELS**  
AE401/AE401 SCALE: 3" = 1'-0"



		<b>STATE OF MAINE</b> <b>PUBLIC SCHOOL PROJECT</b> TITLE: PORTLAND PUBLIC SCHOOLS NEW FRED P. HALL ELEMENTARY SCHOOL LOCATION: 23 ORONO ROAD, PORTLAND, ME TITLE THIS DWG.: GYM PLAN, ELEVATIONS AND DETAILS
DRAWN BY: DEM CHECK BY: TGB	OAK POINT ASSOCIATES 	DRAWING NO.: <b>AE401</b> SHEET NO.:
NO. DATE DESCRIPTION BY NO. DATE REVISIONS	DATE: 03/17/17	231 Main Street, Biddeford, Maine 04005 207.283.9192