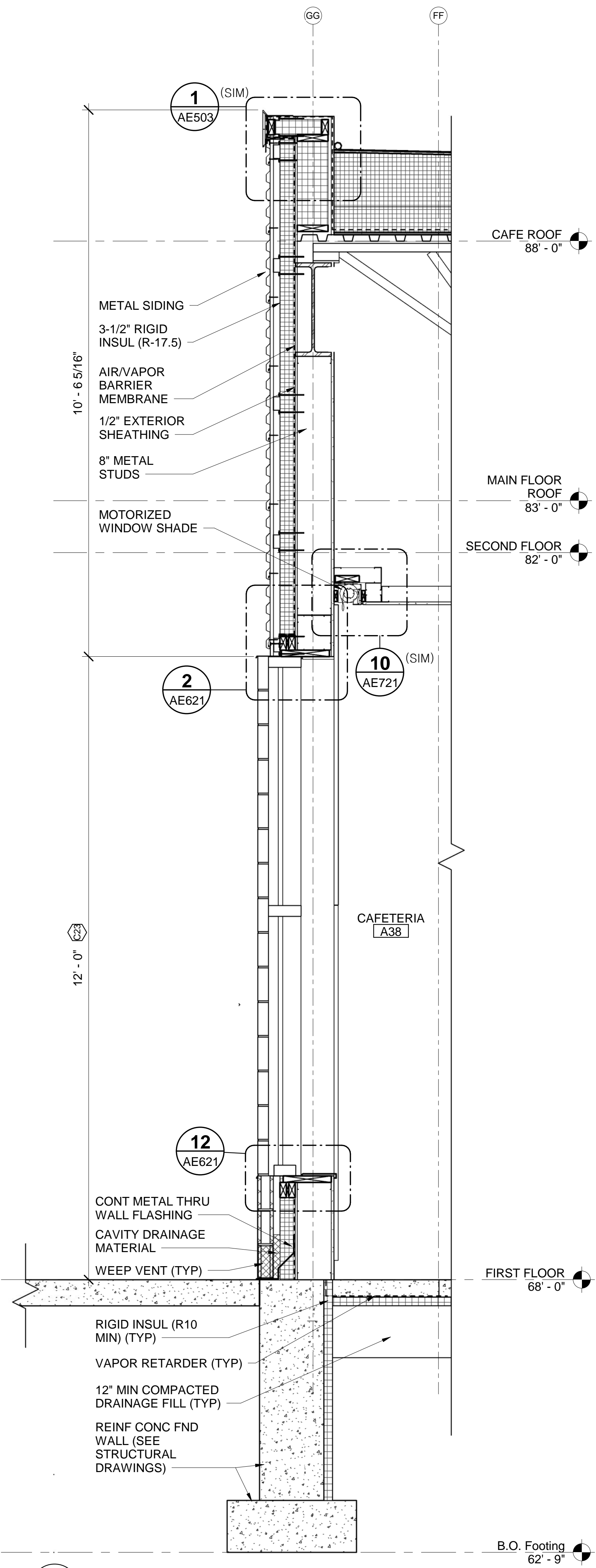
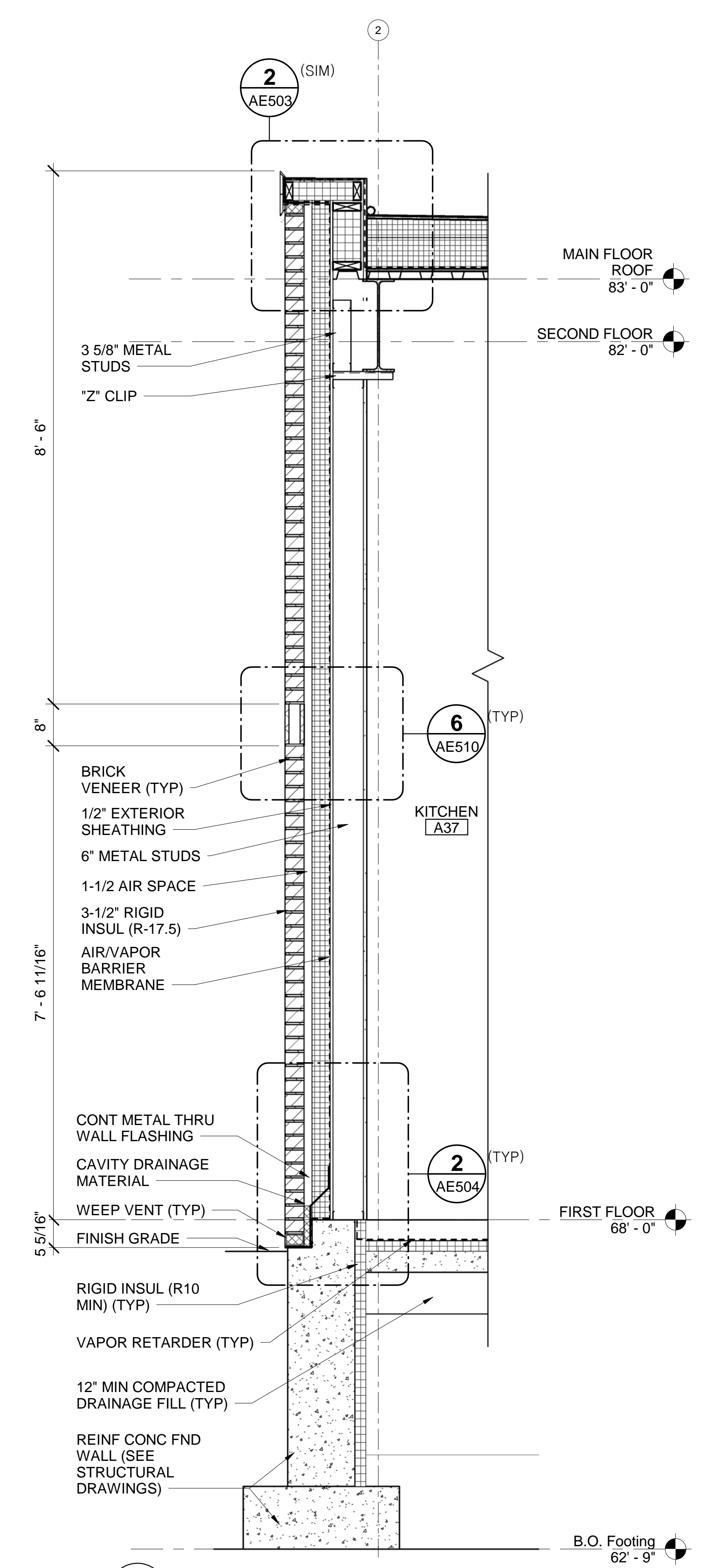


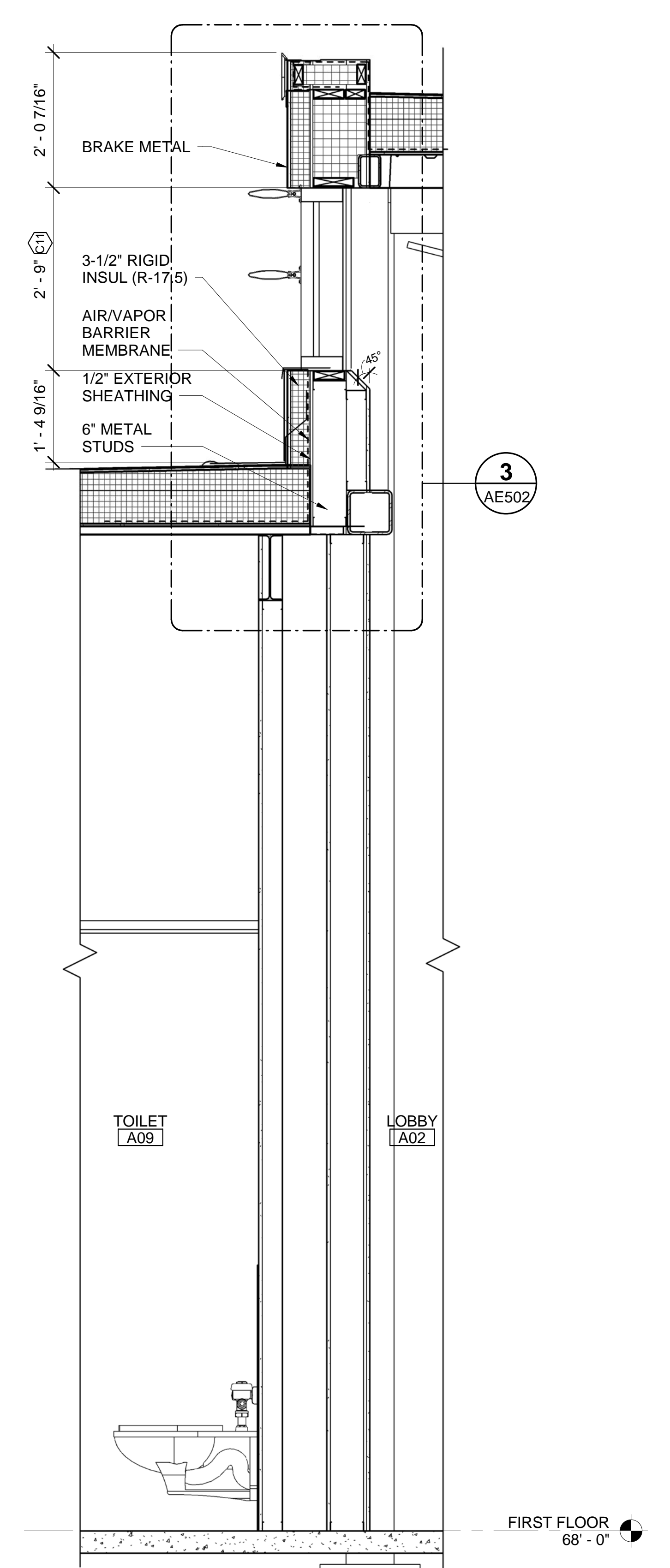
1 WALL SECTION GYM A30 SOUTH WING A
 AE001 AE317 SCALE: 3/4" = 1'-0"



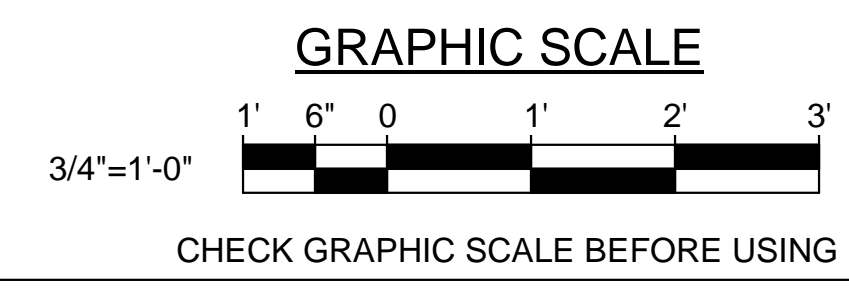
2 WALL SECTION CAFETERIA A38 WING A
 AE001 AE317 SCALE: 3/4" = 1'-0"



3 WALL SECTION KITCHEN A37 WING A
 AE001 AE317 SCALE: 3/4" = 1'-0"



4 WALL SECTION LOBBY CLEARSTORY
 AE002 AE317 SCALE: 3/4" = 1'-0"



		STATE OF MAINE PUBLIC SCHOOL PROJECT TITLE: PORTLAND PUBLIC SCHOOLS NEW FRED P. HALL ELEMENTARY SCHOOL LOCATION: 23 ORONO ROAD, PORTLAND, ME TITLE THIS DWG: WALL SECTIONS	
DRAWN BY: CET CHECK BY: TGB	BY: NO. DATE: 03/17/17	OAK POINT ASSOCIATES AE317 SHEET NO.	DRAWING NO. 207.283.0187 148 OF 312
NO. DATE DESCRIPTION REVISIONS			

3/20/2017 2:35:41 PM C:\Users\smthor\Documents\21605208_HALL_SCHOOL_ARCHITECTURAL_V17.smthor.rvt