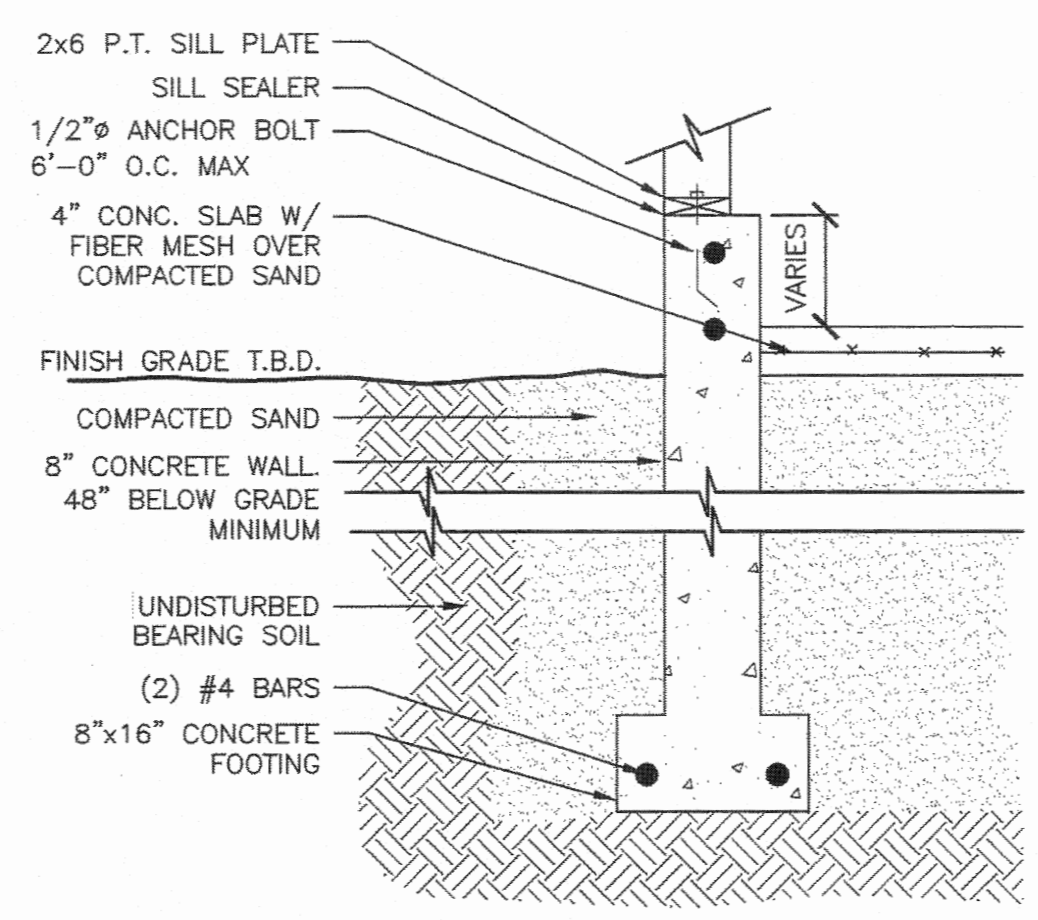
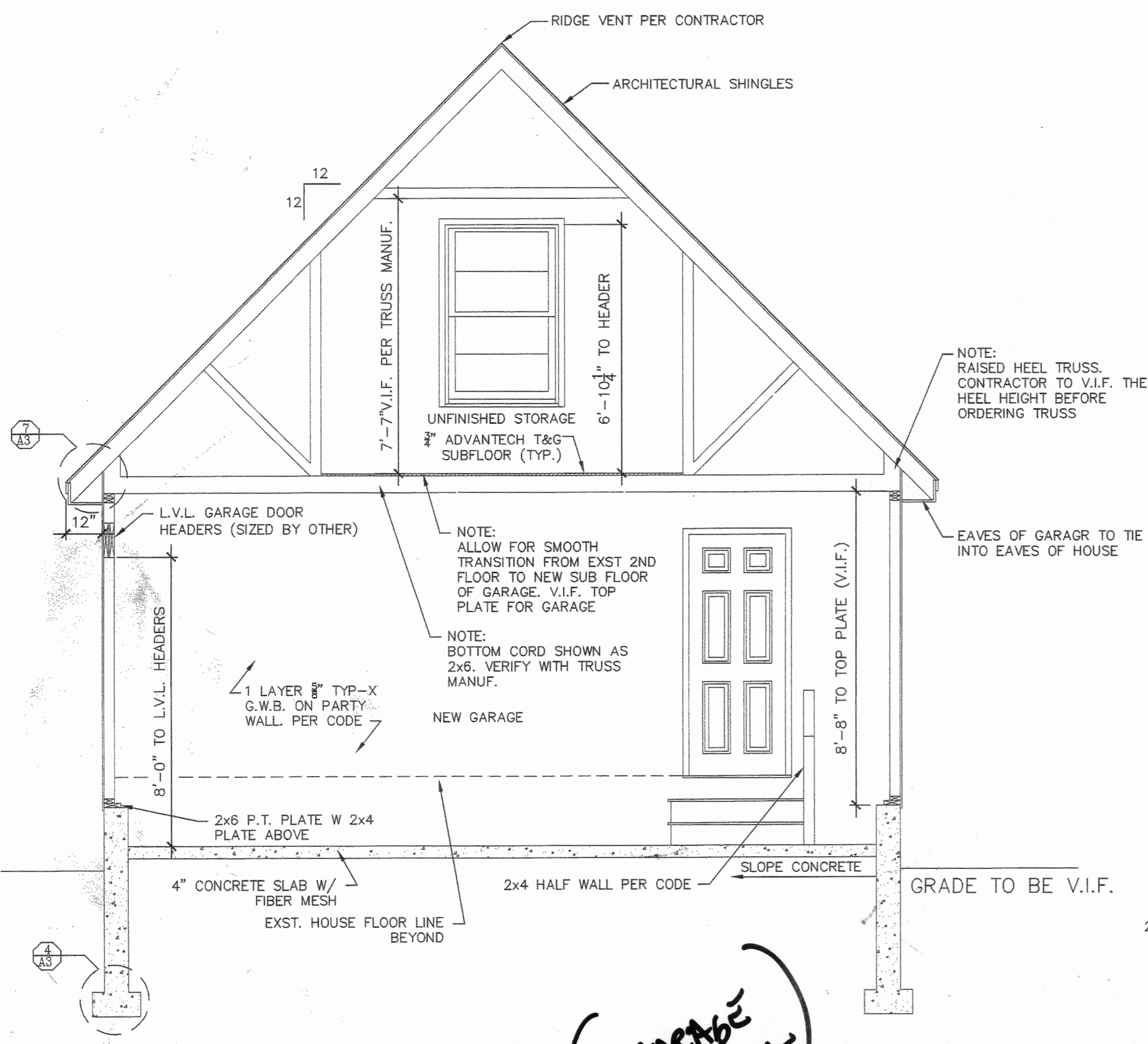


ALL IDEAS, DESIGNS AND PLANS INDICATED OR REPRESENTED BY THESE DRAWINGS ARE OWNED AND ARE THE PROPERTY OF CURRAN DRAFTING & DESIGN INC. AND WERE CREATED AND DEVELOPED FOR USE ON, OR IN CONNECTION WITH THE SPECIFIED PROJECT. NONE OF SUCH IDEAS, DESIGNS AND PLANS SHALL BE USED BY ANYONE FOR ANY PURPOSE WHATSOEVER WITHOUT THE WRITTEN PERMISSION OF CURRAN DRAFTING AND DESIGN INC.

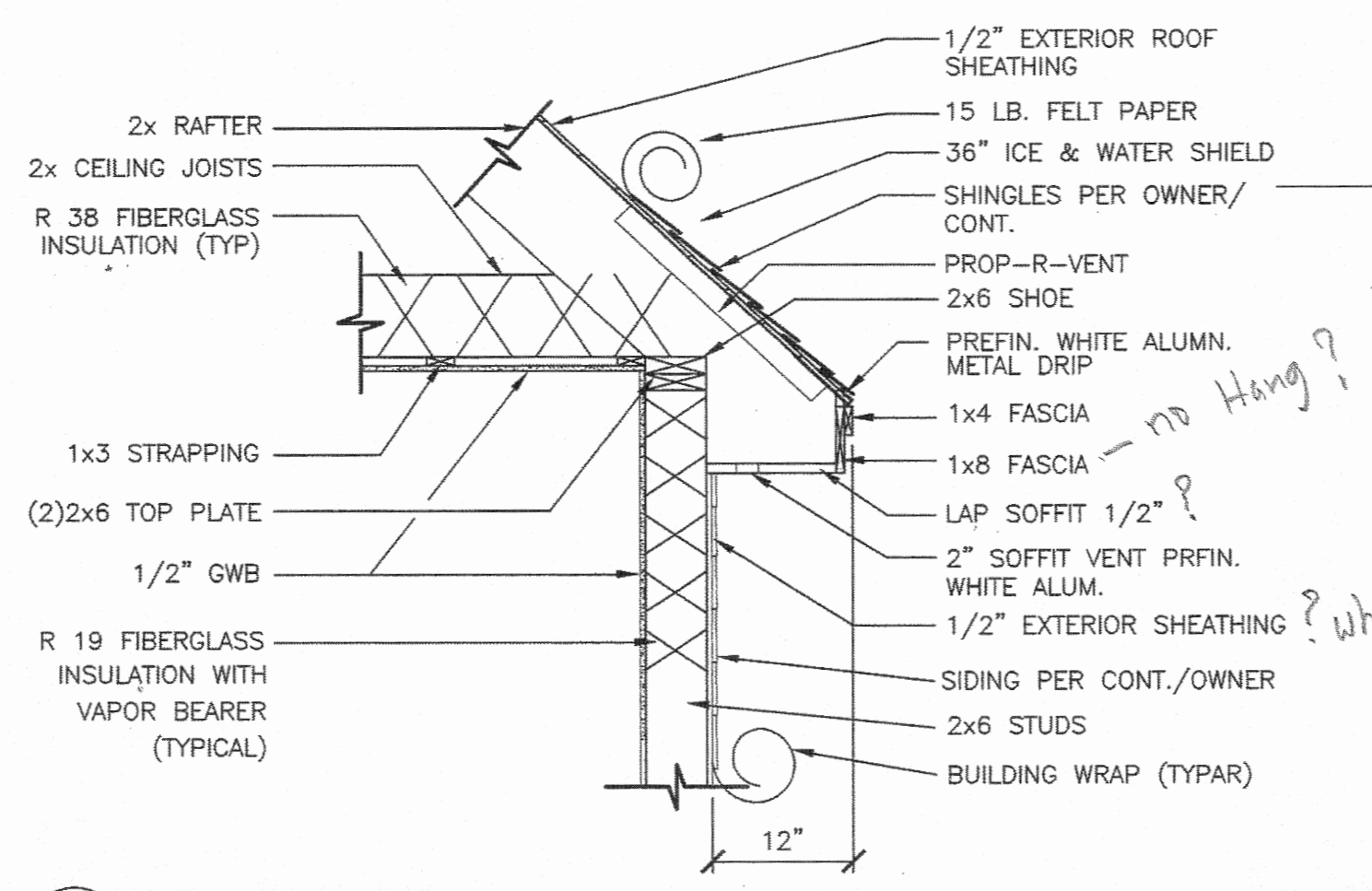
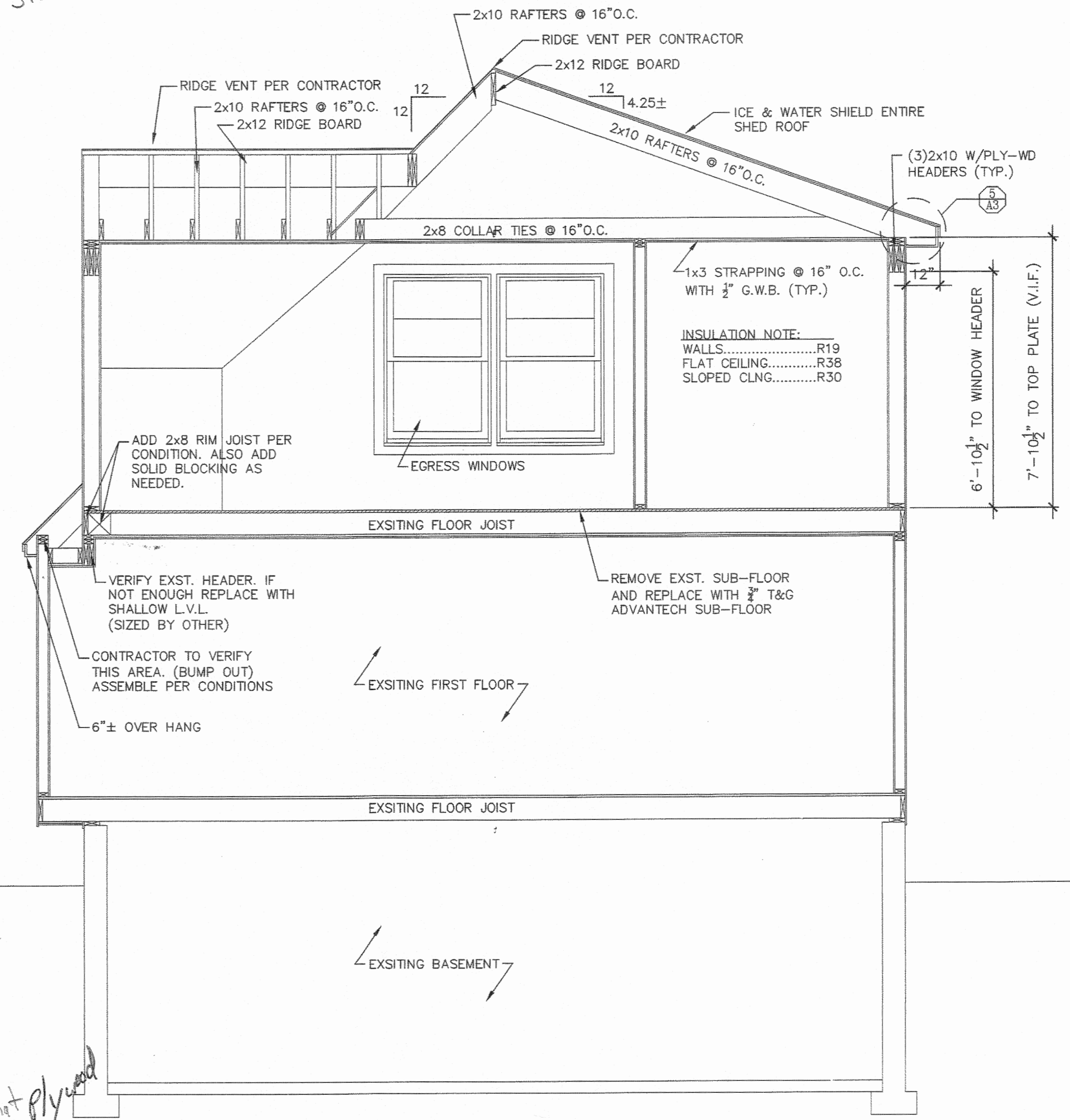
DRAWN BY: M.P.C.
 CHECKED BY: M.P.C.

SCALE: AS-NOTED
 DATE: 02/21/2006
 FILE NUMBER 06-0004
 REVISIONS:

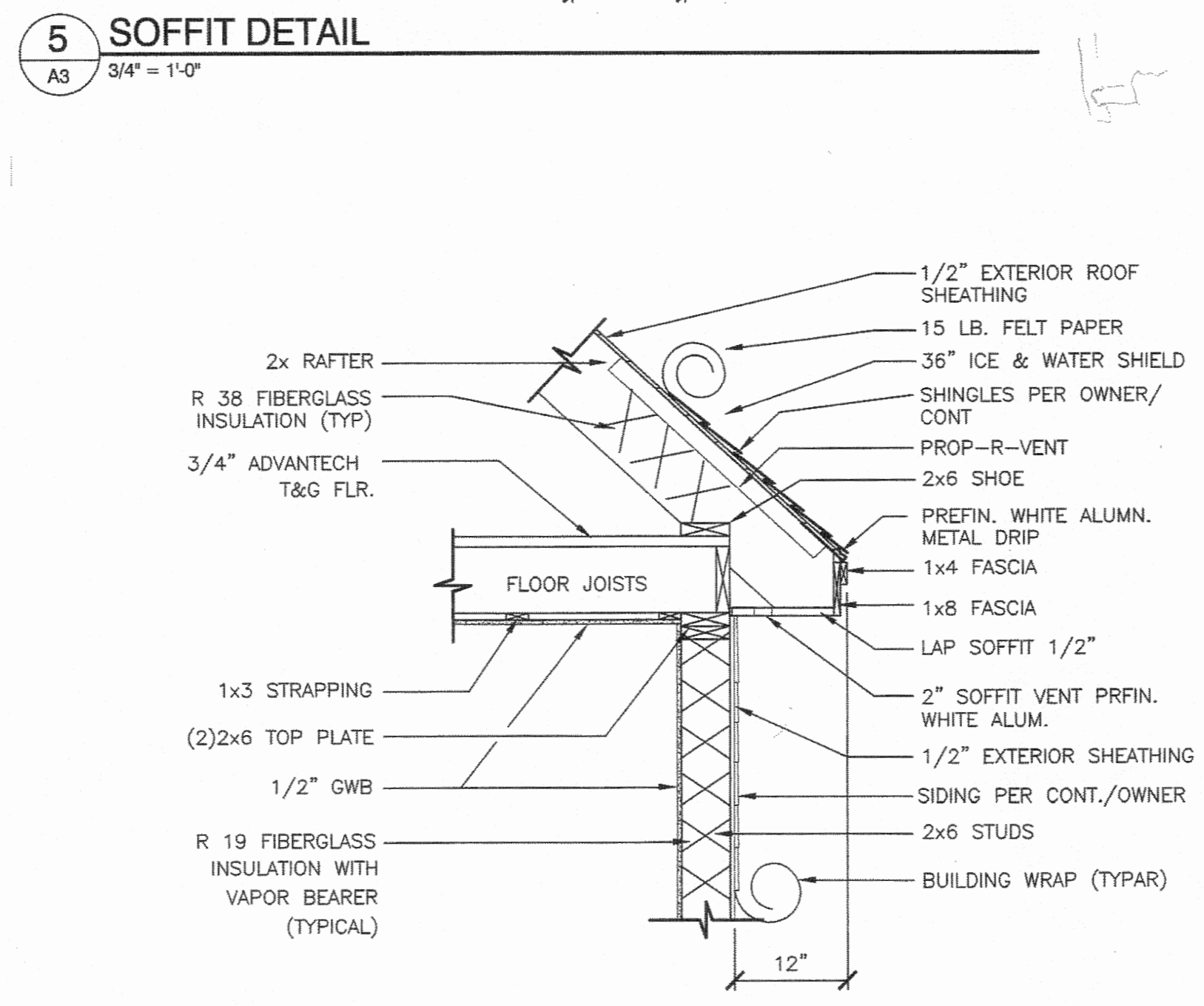
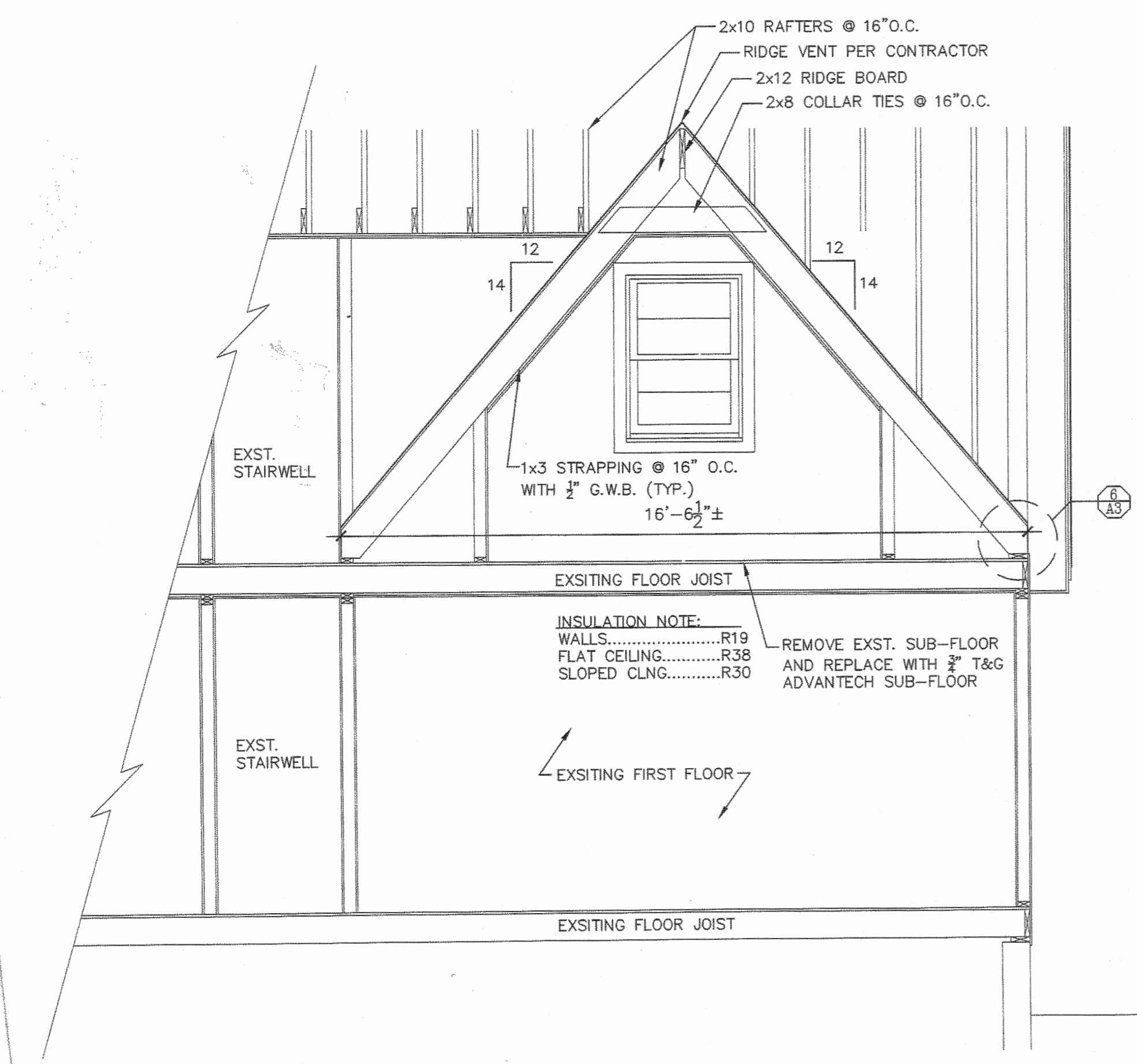
*P Who - windows Anderson
 Doors Low E sizes*



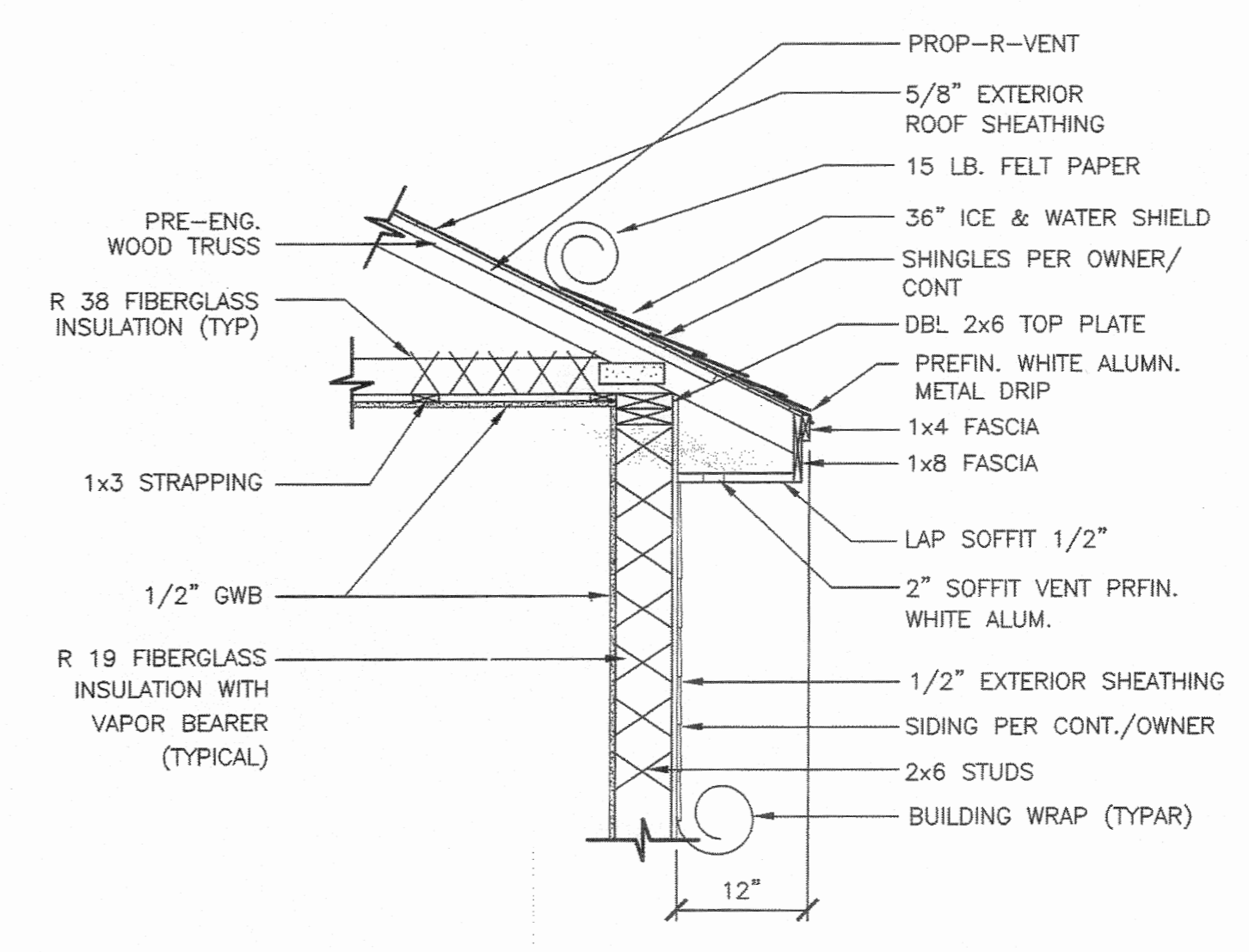
OMIT



1 CROSS SECTION
 3/8" = 1'-0"



6 SOFFIT DETAIL
 3/4" = 1'-0"



7 SOFFIT DETAIL
 3/4" = 1'-0"

NOTE: FOR INFORMATION PURPOSES ONLY, IF USED FOR CONSTRUCTION, THE CONTRACTOR SHALL ASSUME ALL RESPONSIBILITY FOR LOCAL CODE COMPLIANCE. ALL DRAWINGS, PLANS, SKETCHES, ETC. ARE PREPARED BY CURRAN DRAFTING AND DESIGN INC. AND ARE NOT REGISTERED ARCHITECTS OR ENGINEERS. ALL DIMENSIONS AND SPECIFICATIONS TO BE USED AS SHOWN ON THESE DRAWINGS UNLESS OTHERWISE NOTED BY THE CLIENT AND NO CONTRACTOR.

CLIENT _____
 CLIENT _____