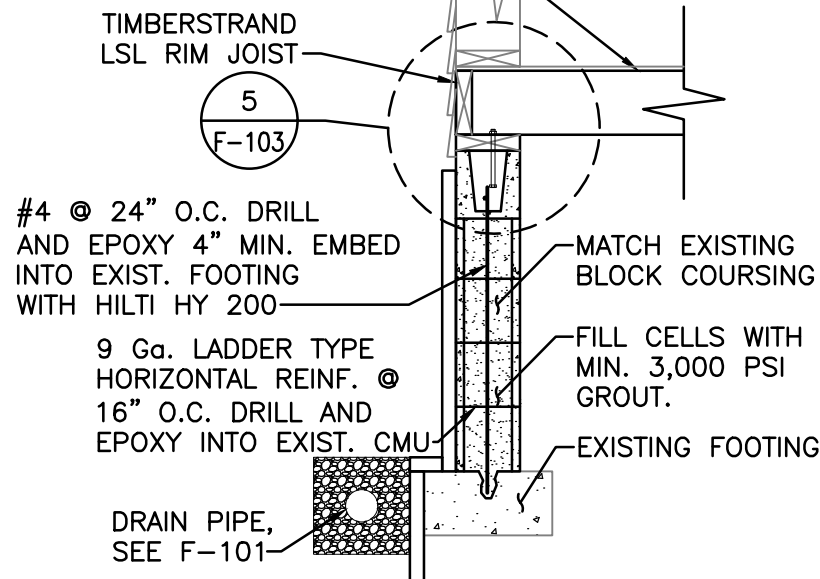
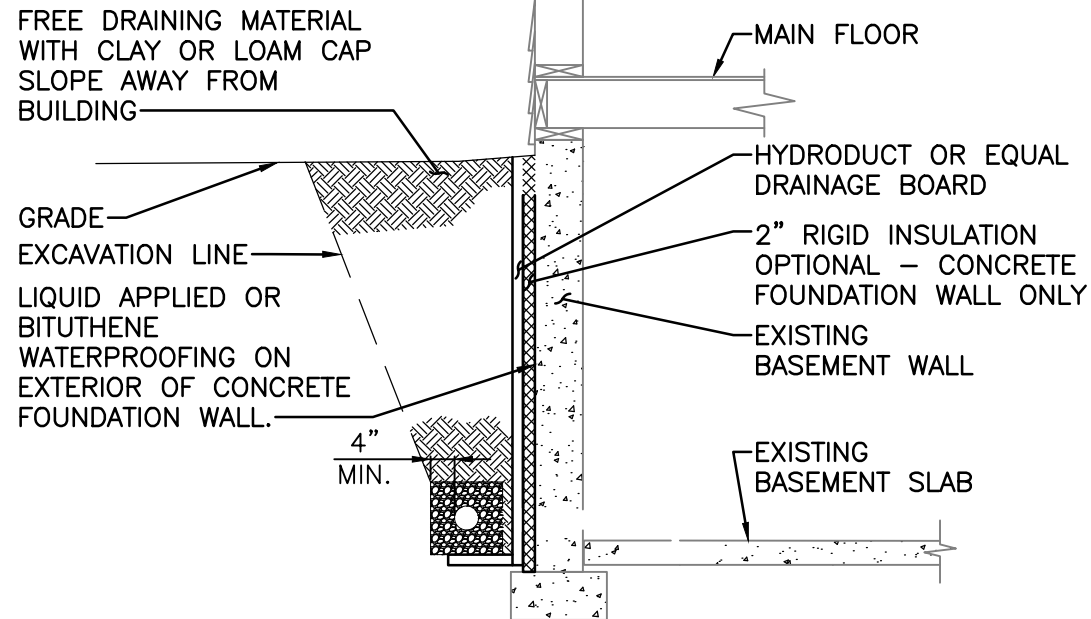


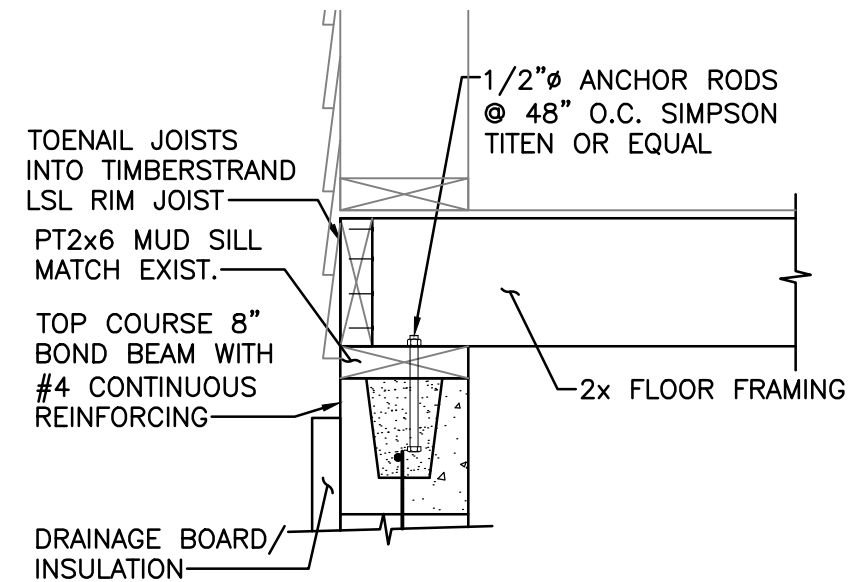
FLOOR FRAMING - SISTER NEW
2x FRAMING TO EXISTING
DAMAGED MATERIAL



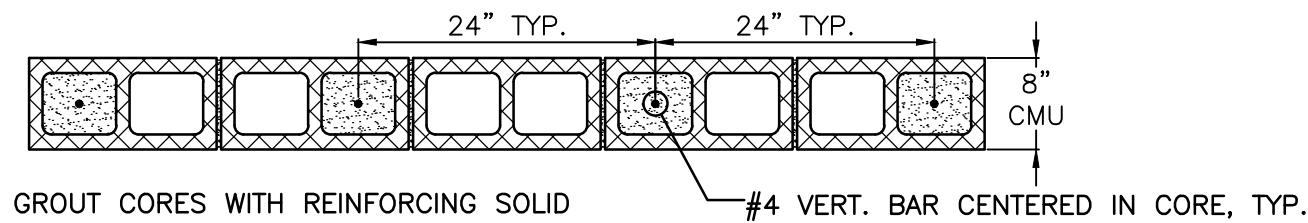
3 SECTION
F-103 SCALE: 1/2" = 1'-0" F-101



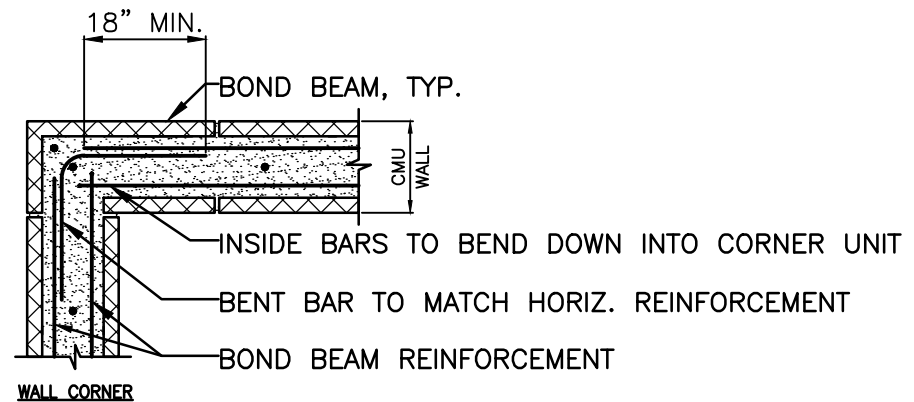
4 SECTION
F-103 SCALE: 3/8" = 1'-0" F-101



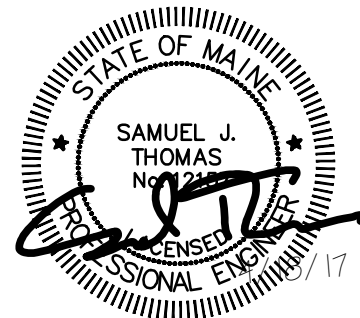
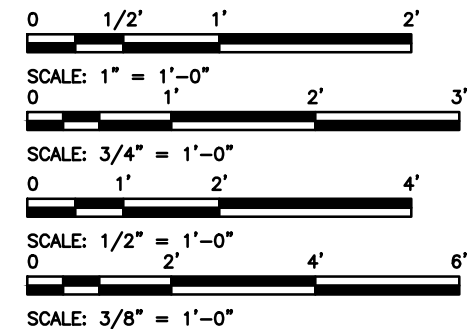
5 DETAIL
F-103 SCALE: 1" = 1'-0" F-102



6 8" CMU WALL PLAN DETAIL
F-103 SCALE: 3/4" = 1'-0"



TYPICAL WALL DETAILS
SCALE: N.T.S.



PORTLAND HOUSING AUTHORITY PORTLAND, MAINE					
FOUNDATION REPAIR AND STORM WATER MITIGATION					
66 PURCHAS ST. FOUNDATION SECTIONS					
0	ISSUED FOR BID	BCH	SJT	BJB	4/18/17
A	ISSUED FOR CLIENT REVIEW	BCH	SJT	ERP	10/14/16
REV	DESCRIPTION	DWN	CKD	APP	DATE

PLEASE NOTE: THIS DOCUMENT MAY NOT ACCURATELY REPRESENT THE FINAL DOCUMENT. ONLY AN ENGINEER, ARCHITECT OR SURVEYOR SIGNED, SEALED AND DATED PAPER COPY, PROVIDED BY THIS OFFICE, MAY BE UTILIZED FOR BIDDING OR CONSTRUCTION PURPOSES.

47A York Street
Portland, Maine 04101
207.553.7753
colbycoengineering.com

SIZE: AS NOTED
DATE: 4/18/17
DES BY: SJT
DWN BY: BCH
CKD BY: BJB

PROJECT NO.
218.019.001
SHEET
3 OF 3

DRAWING NO.
F-103