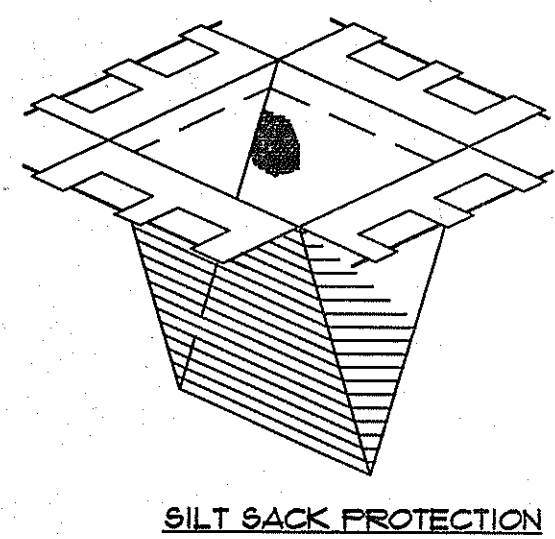
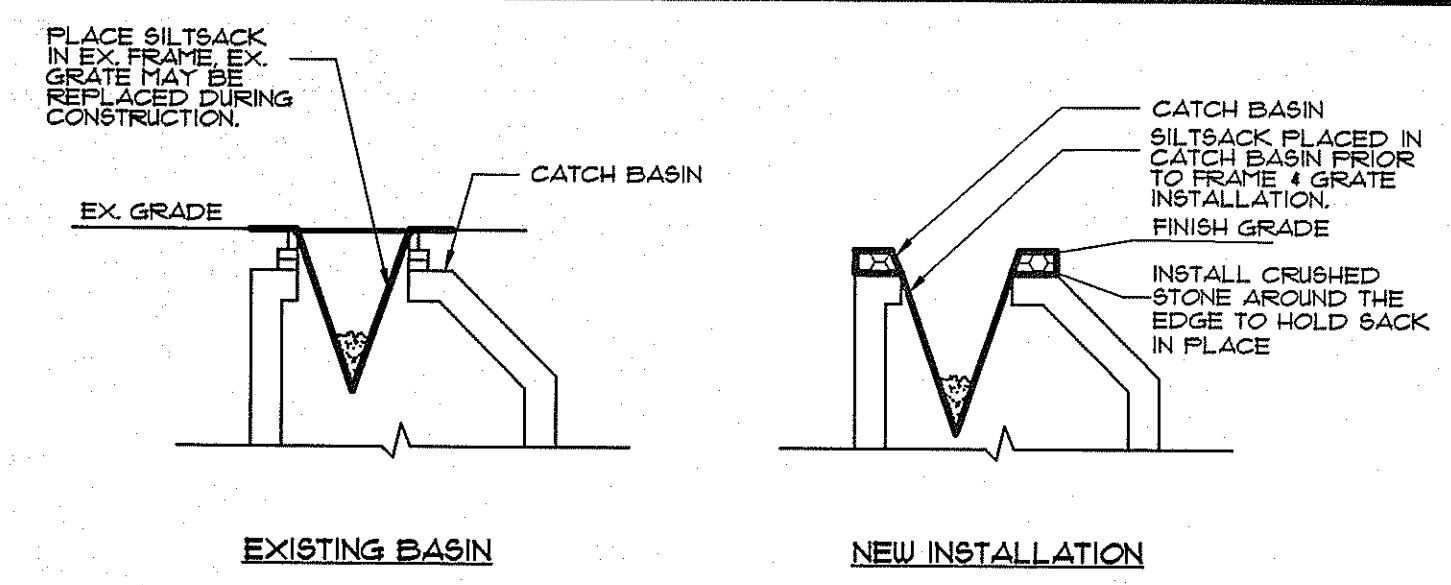


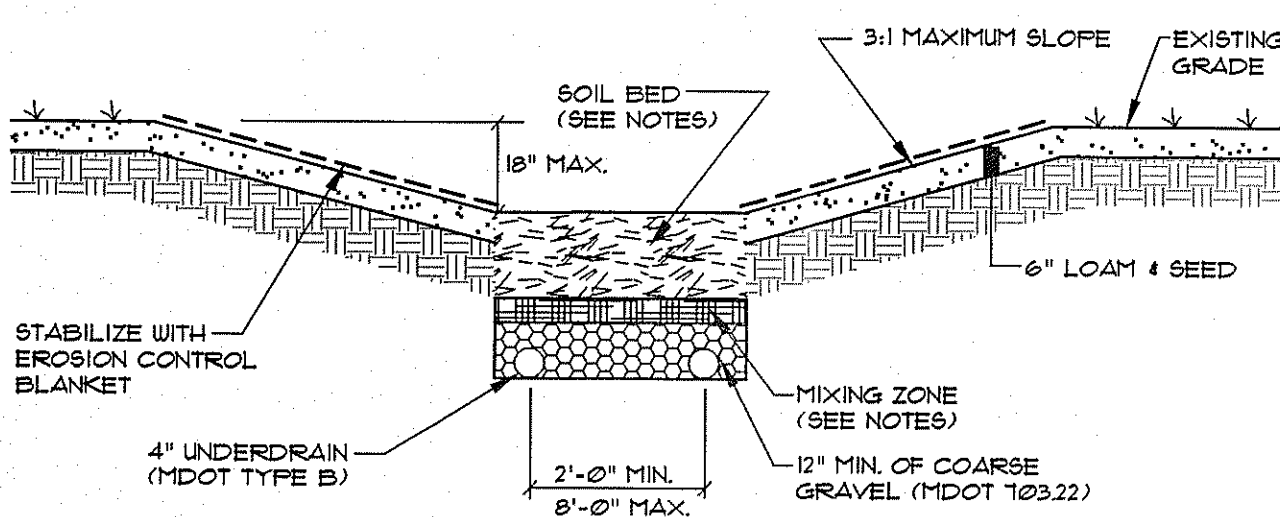
- NOTES:**
1. STONE SIZE- AASHTO DESIGNATION M43, SIZE NO. 2 (2 1/2" TO 1 1/2"). USE CRUSHED STONE.
 2. LENGTH- AS SHOWN ON PLANS, MIN. 50 FEET.
 3. THICKNESS- NOT LESS THAN EIGHT (8) INCHES.
 4. WIDTH- NOT LESS THAN FULL WIDTH OF ALL POINT OF INGRESS OR EGRESS.
 5. MAINTENANCE- THE ENTRANCE SHALL BE MAINTAINED IN A CONDITION WHICH WILL PREVENT TRACKING OR FLOWING OF SEDIMENT ONTO PUBLIC RIGHT-OF-WAY. THIS MAY REQUIRE PERIODIC TOP DRESSING WITH ADDITIONAL STONE AS CONDITIONS DEMAND AND REPAIR AND/OR CLEANOUT OF ANY MEASURES USED TO TRAP SEDIMENT. ALL SEDIMENT SPILLED, DROPPED, WASHED OR TRACKED ONTO PUBLIC RIGHT-OF-WAY MUST BE REMOVED IMMEDIATELY.

STABILIZED CONSTRUCTION ENTRANCE
NOT TO SCALE

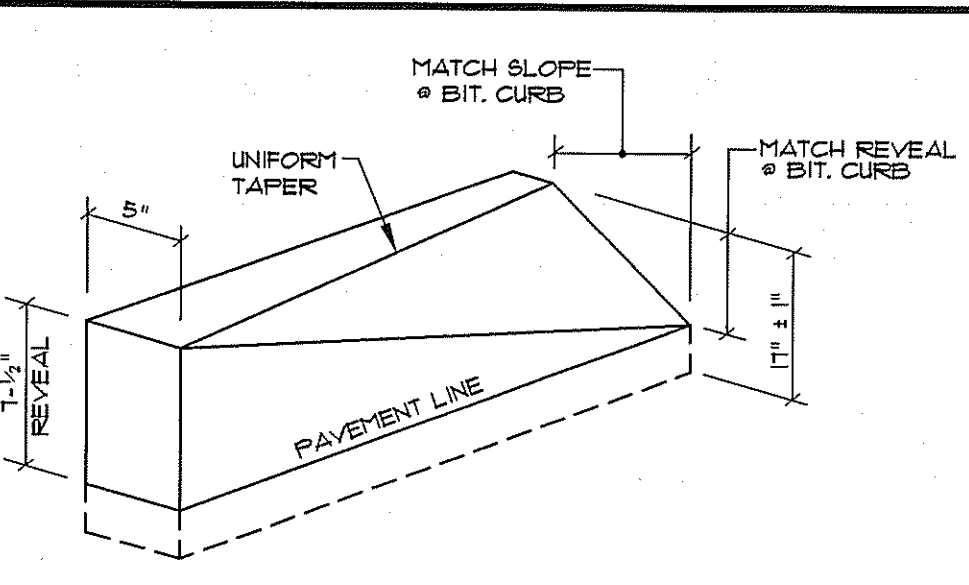


- NOTES:**
- PRIOR TO FINAL GRADING AND PAVING OPERATIONS BEGIN A CATCH BASIN INSERT (SUCH AS A SILT SACK OR A DANDY BAG®) MUST BE INSTALLED IN EACH BASIN PER MANUFACTURER'S INSTRUCTIONS. HAY BALES SHOULD BE REMOVED ONCE INSERTS ARE INSTALLED.

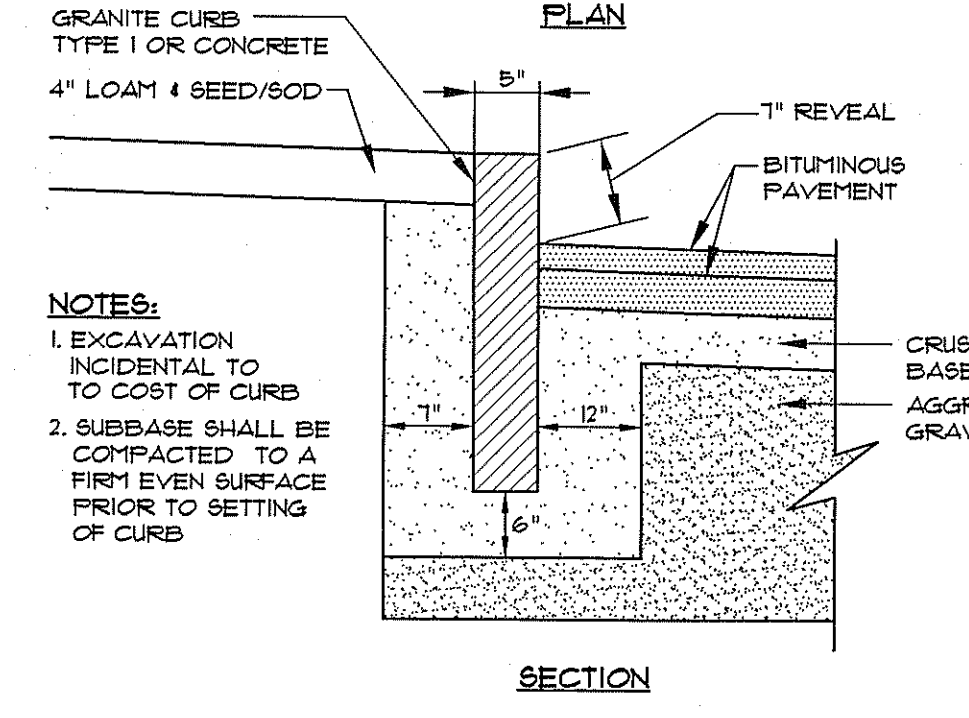
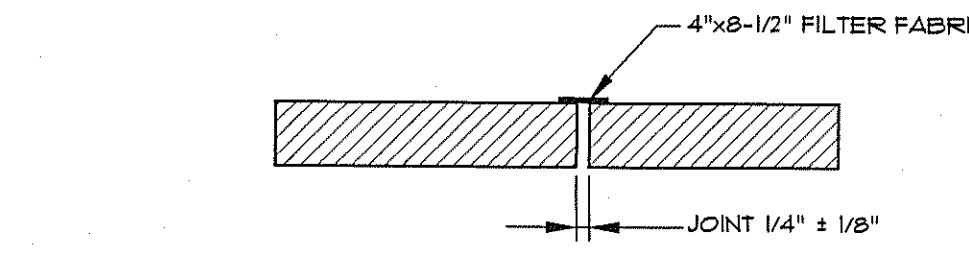
CATCH BASIN PROTECTION DETAIL (FOR PAVED AREAS)
NOT TO SCALE



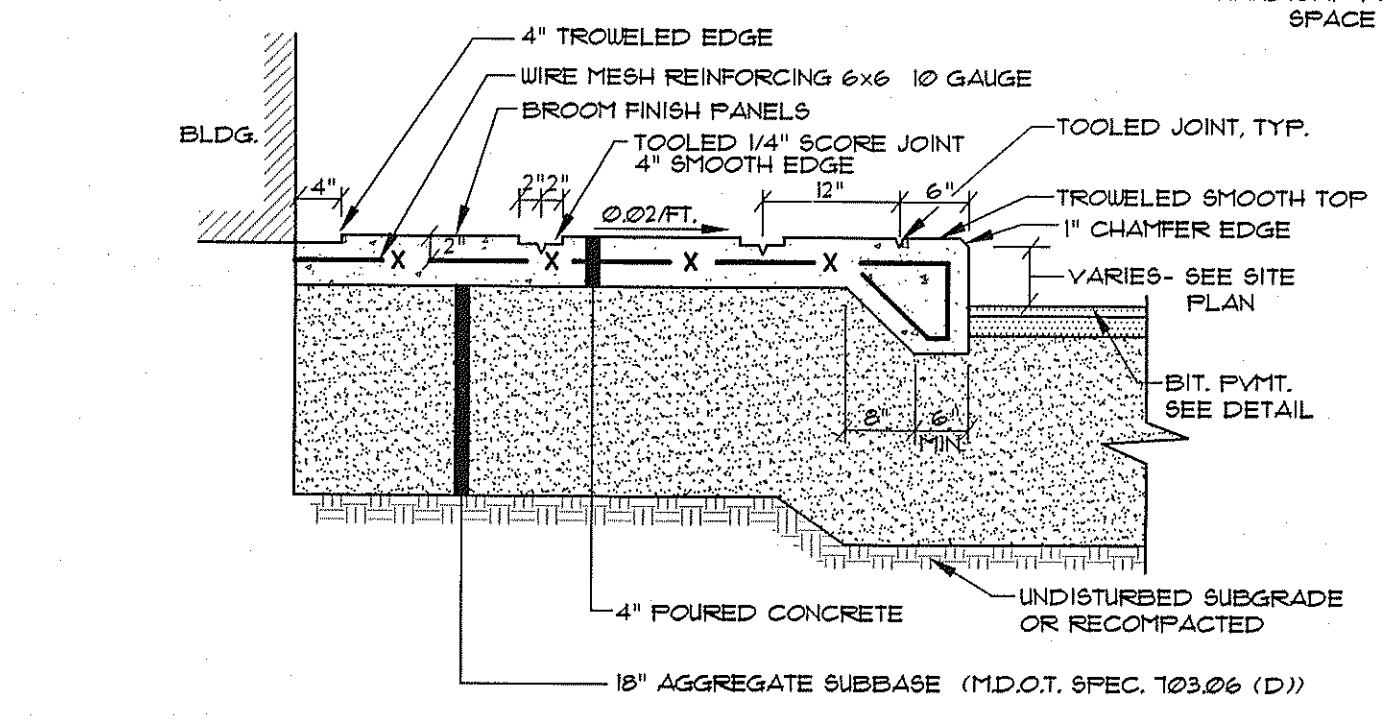
- CONSTRUCTION NOTES:**
1. THE AMENDED SOIL BED SHALL CONSIST OF A MIXTURE OF A SILTY SAND SOIL MIXED WITH 20 %-25% BY VOLUME OF MODERATELY FINE SHREDDED BARK MULCH OR WOOD FIBER MULCH THAT HAS NO MORE THAN 5% FINES PASSING THE #200 SIEVE. THE SILTY SAND SOIL USED IN THE MIXTURE SHOULD MEET THE FOLLOWING SIEVE ANALYSIS SPECIFICATION:
SIEVE #10 - 85-100 PERCENT PASSING
SIEVE #20 - 70-100 PERCENT PASSING
SIEVE #40 - 35-40 PERCENT PASSING
SIEVE #100 - 8-10 PERCENT PASSING
 2. THE SOIL BED SHALL BE 18 INCHES IN DEPTH AND UNDERLAIN BY A MINIMUM 12 INCH DEPTH OF COARSE GRAVEL.
 3. A 6-INCH MIXING ZONE SHALL BE CREATED AT THE GRAVEL/SOIL BED INTERFACE BY ROTILLING SOIL BED MATERIAL INTO THE GRAVEL TO A DEPTH OF APPROXIMATELY 6 INCHES.
 4. COMPACTION OF THE SOIL BED MATERIAL SHALL BE AVOIDED. IF COMPACTION OCCURS, ROTILL AGAIN PRIOR TO SEEDING OR SOODING.
 5. A DENSE COVER OF GRASS OR SOG SHALL BE ESTABLISHED AND MAINTAINED ON THE SURFACE TO PREVENT CLOGGING.
 6. UNDERDRAIN SHALL SLOPE AT A MIN. GRADE OF 1% TO OUTLET. PROVIDE PRE-FABRICATED RODENT GUARD AT UNDERDRAIN OUTLET.
 7. GRUBBING LIMITS FOR EMBANKMENT CONSTRUCTION SHALL EXTEND A MINIMUM OF 2 FT. BEYOND THE TOE OF EMBANKMENT. PRIOR TO CONSTRUCTION, THE AREA WITHIN THE EMBANKMENT GRUBBING LIMITS SHALL BE CLEARED OF ALL STUMPS, ROOTS, BRUSH AND OTHER OBJECTIONABLE MATERIAL.



VERTICAL TO SLOPED CURB TRANSITION STONES
NOT TO SCALE

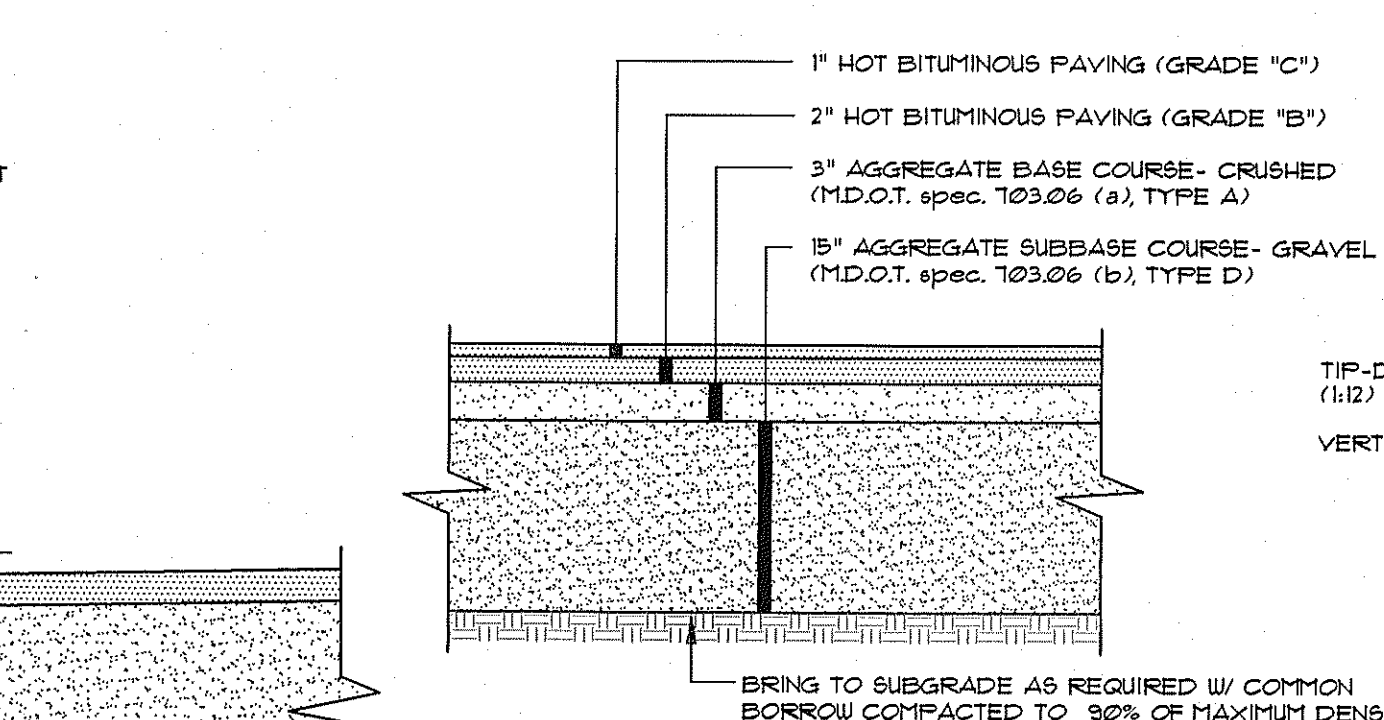


VERTICAL CONCRETE CURB
NOT TO SCALE



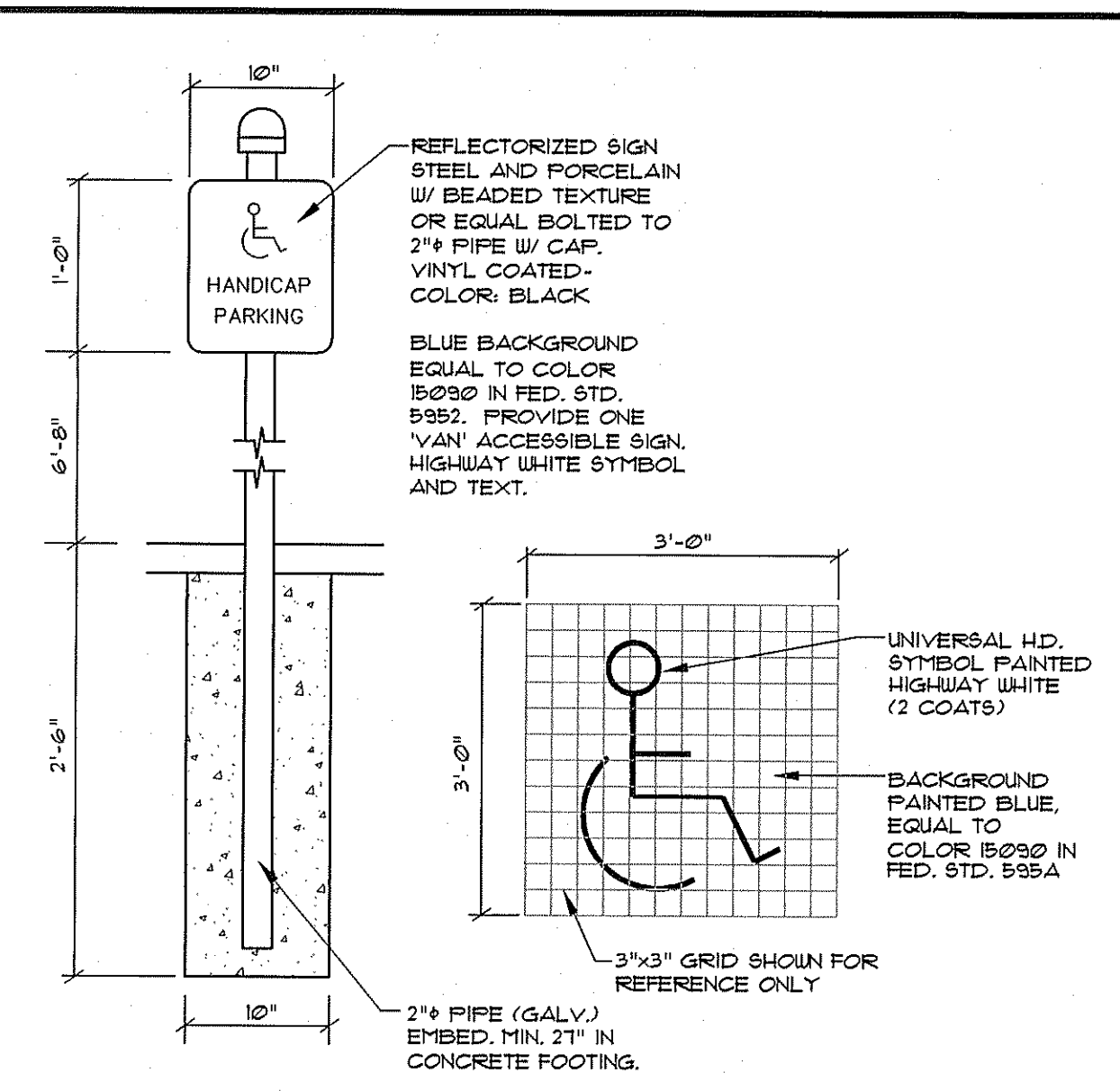
- NOTE:**
INSTALL 5'-0" SQUARE AREA BY 4" DEEP OF FROST-FREE MATERIAL BELOW ALL HANDICAP RAMPS AND ENTRY POINTS AT BUILDING.

CONCRETE SIDEWALK
NOT TO SCALE

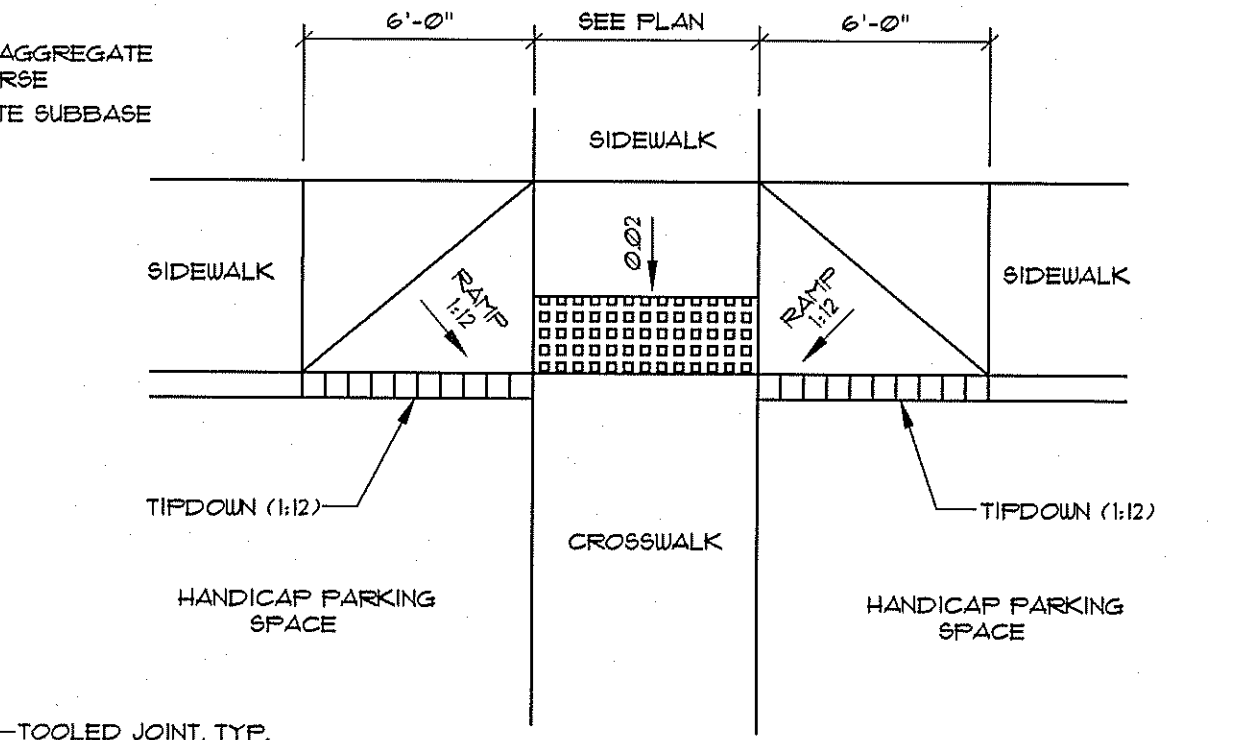


- NOTES:**
1. COMPACT GRAVEL SUBBASE, BASE COURSE TO 92% OF MAXIMUM DENSITY USING HEAVY ROLLER COMPACTION.
 2. CONTRACTOR SHALL SET GRADE STAKES MARKING SUBBASE AND FINISH GRADE ELEVATIONS FOR CONSTRUCTION REFERENCE.

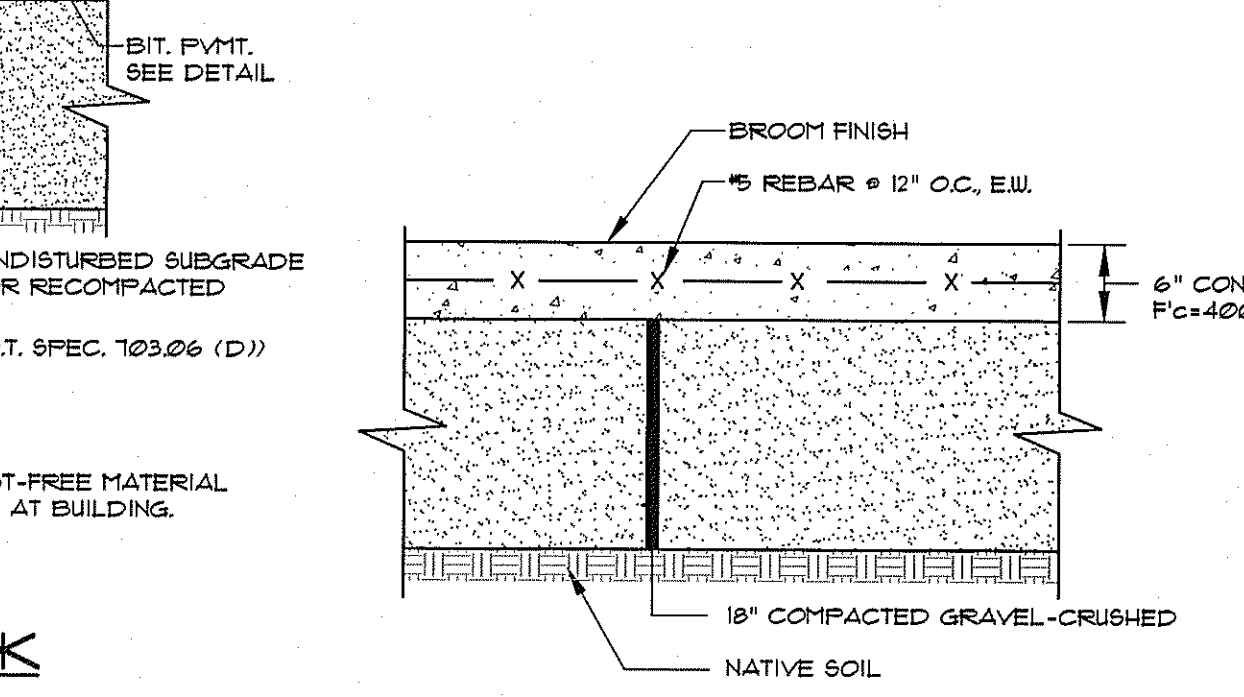
TYP. PAVED PARKING LOT SECTION
NOT TO SCALE



HANDICAP SIGNS
NOT TO SCALE

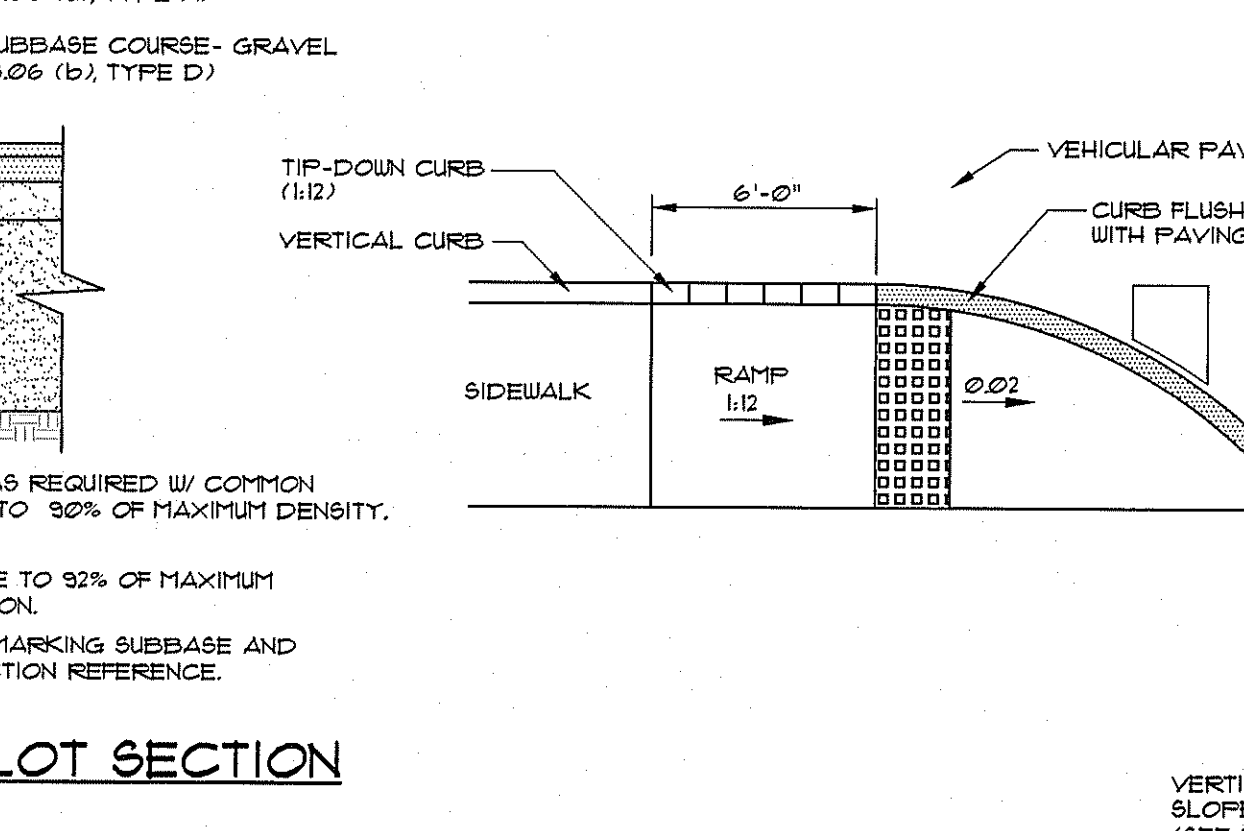


HANDICAP RAMP
NOT TO SCALE

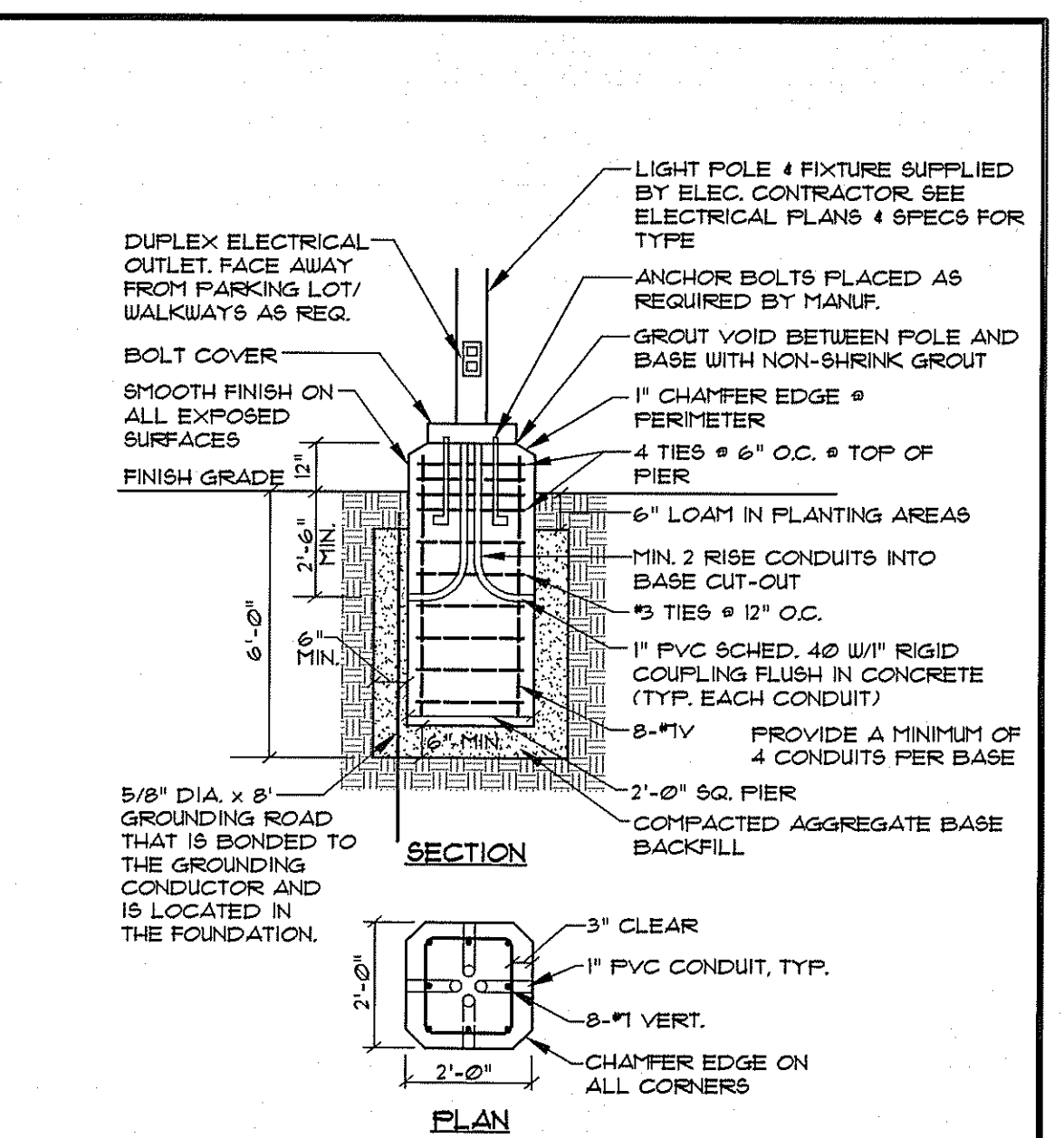


- NOTE:**
1. PROVIDE CONTRACTION CONTROL JOINTS EVERY 6' IN EACH DIRECTION.

TYPICAL CONCRETE SLAB
NOT TO SCALE

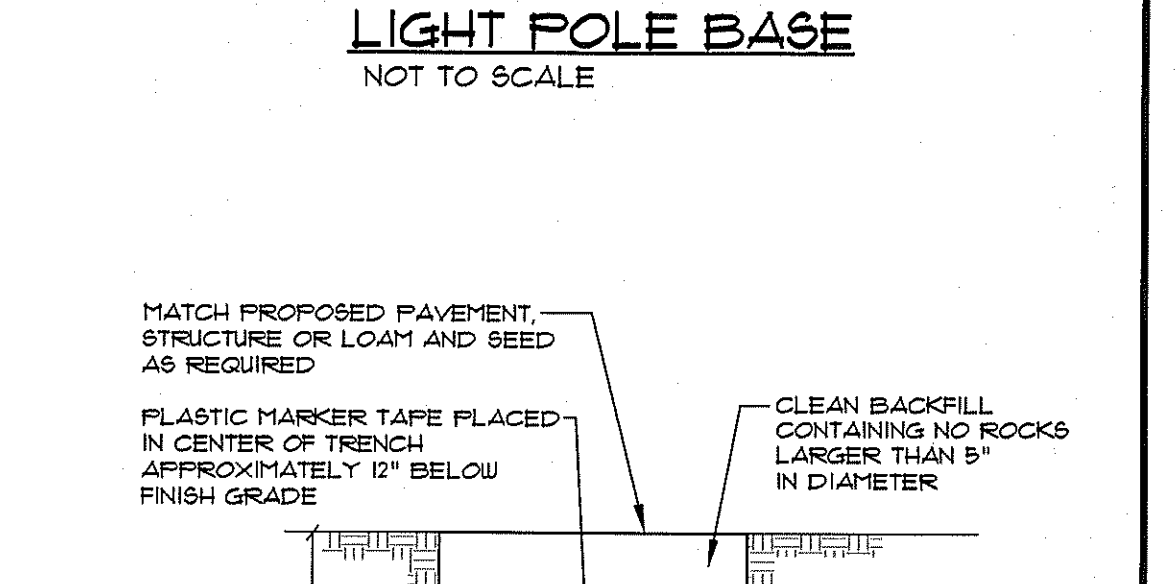


HANDICAP RAMP
NOT TO SCALE



- NOTES:**
1. CONCRETE f'c=4000 psi.
 2. REINF. STEEL GRADE 60 NEW BARS.
 3. CONCRETE 3/4" AGG. 6 1/2% ENTRAINED AIR.
 4. PROVIDE 2 COATS BITUMINOUS DAMPROOFING FOR ALL CONCRETE BELOW GRADE.
 5. INSTALL BASE 3'-0" ABOVE FINISH GRADE IN LOCATIONS WHERE PILES ARE IN PARKING LOT PAVEMENT.
 6. BID ALT. CONTRACTOR MAY SUBSTITUTE PRECAST CONCRETE LIGHT POLE BASE EQUAL TO ABOVE SPEC.

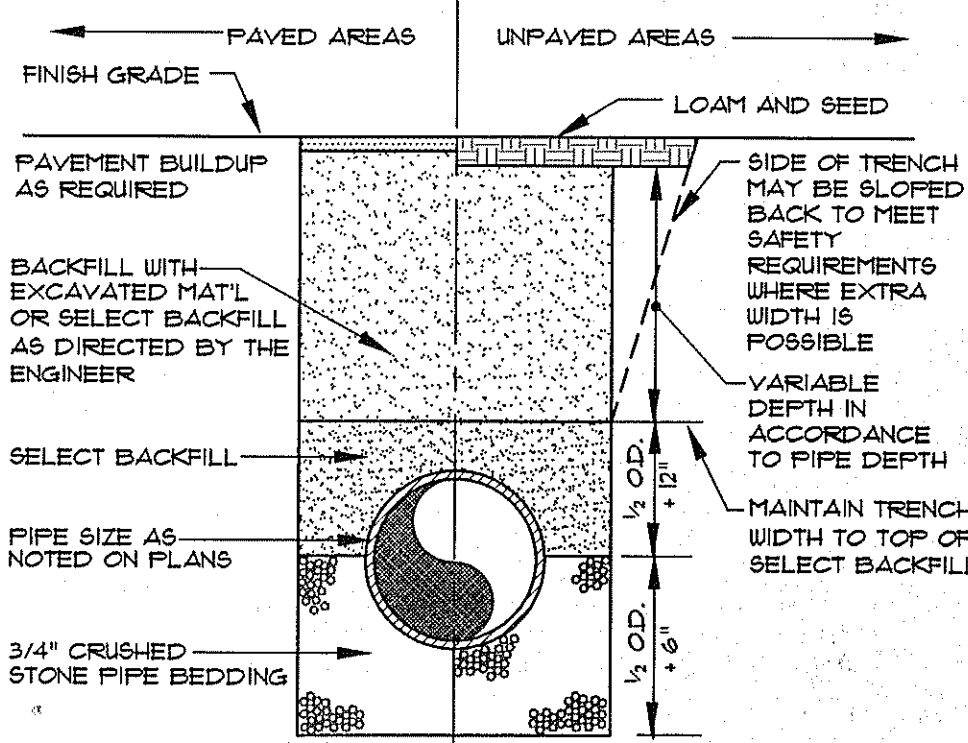
LIGHT POLE BASE
NOT TO SCALE



TYPICAL UNDERGROUND CABLE INSTALLATION
NOT TO SCALE

- CABLES TO BE ENCASED IN SCHEDULE 40 PVC CONDUIT WHEN RUN BENEATH PAVED AREAS.

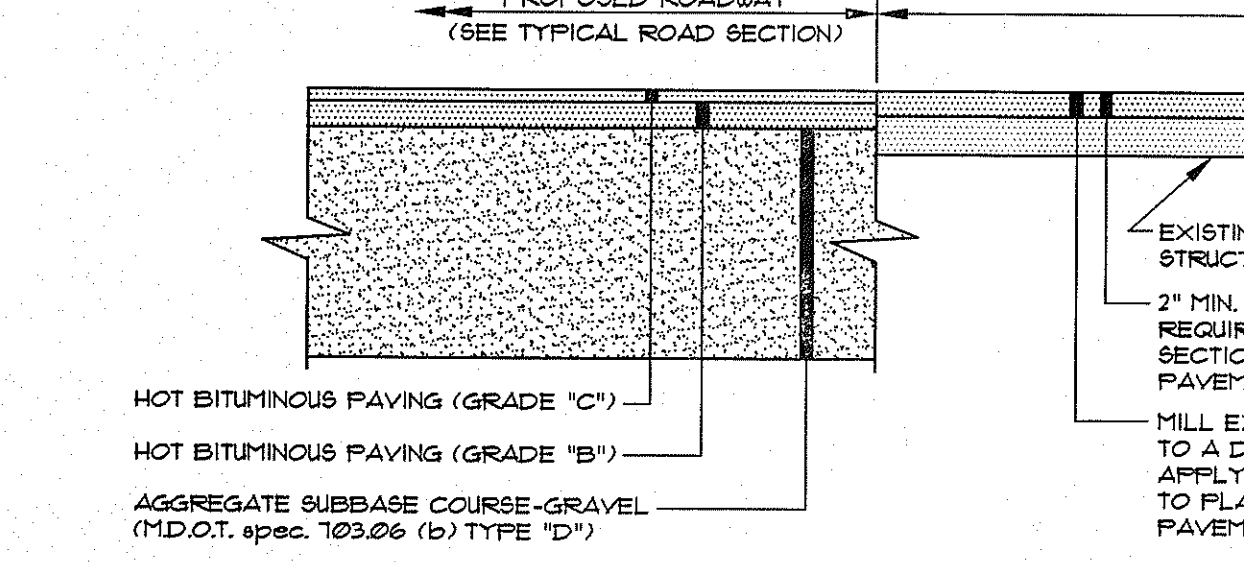
TYPICAL CATCH BASIN
NOT TO SCALE



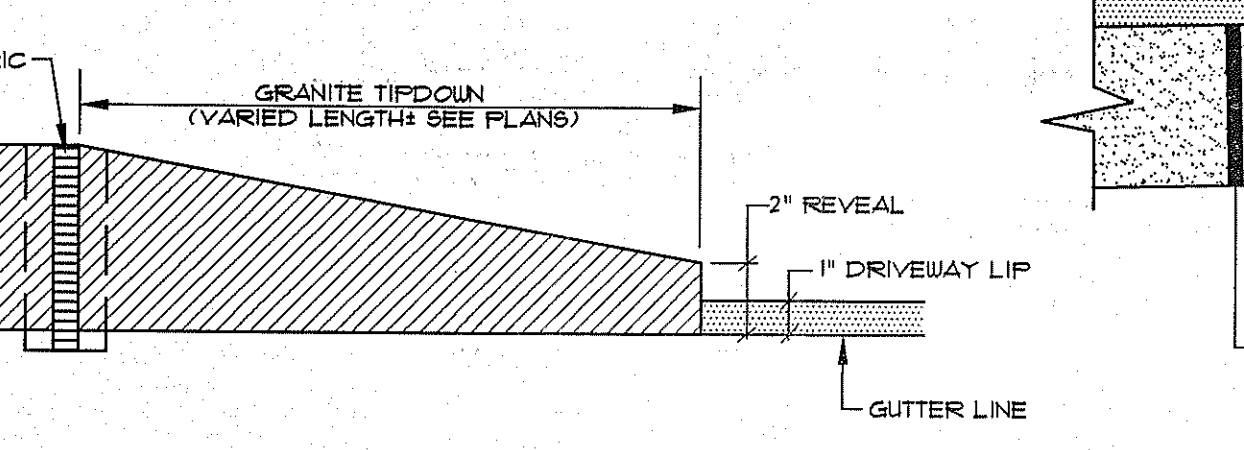
TYPICAL TRENCH SECTION
NOT TO SCALE



UNDERDRAIN SOIL FILTER
NOT TO SCALE



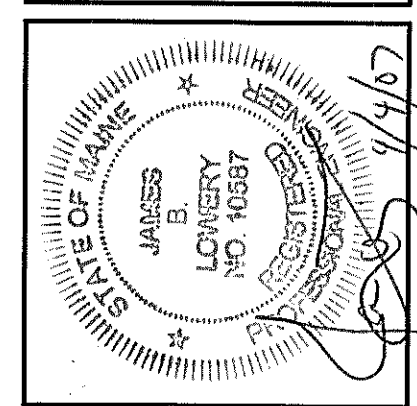
TYPICAL PAVEMENT JOINT
NOT TO SCALE



TYPICAL TIPDOWN CURB INSTALLATION
NOT TO SCALE



BITUMINOUS SIDEWALK
NOT TO SCALE



PROJECT NO.	05439
FIELD BOOK	
DESIGN	CHKD
DRAWN	AM
ELEC.	UBSW
DATE	03-06-07
ISSUED FOR FINAL APPROVAL	11-03-06
ISSUED FOR CITY REVIEW	
STATUS	

Sebago Technics
Engineering Expertise You Can Build On
One Chase Street
Portland, ME 04103
Tel: (207) 856-0277

UNIVERSITY CREDIT UNION PROPERTY
1071 BRIGHTON AVENUE
PORTLAND, MAINE
UNIVERSITY CREDIT UNION
RANGELEY ROAD, UNIVERSITY OF MAINE
ORONO, MAINE 04469-5779