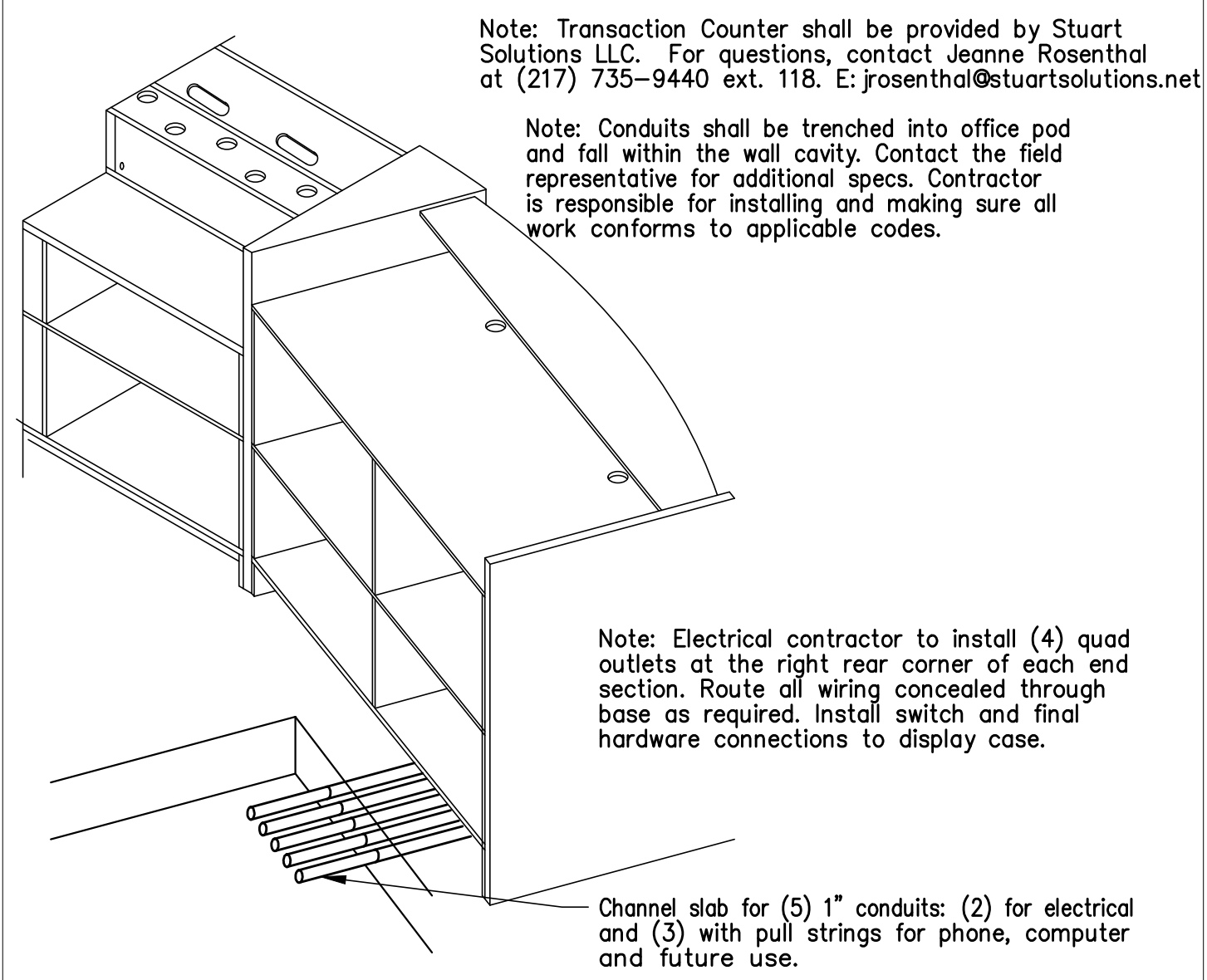
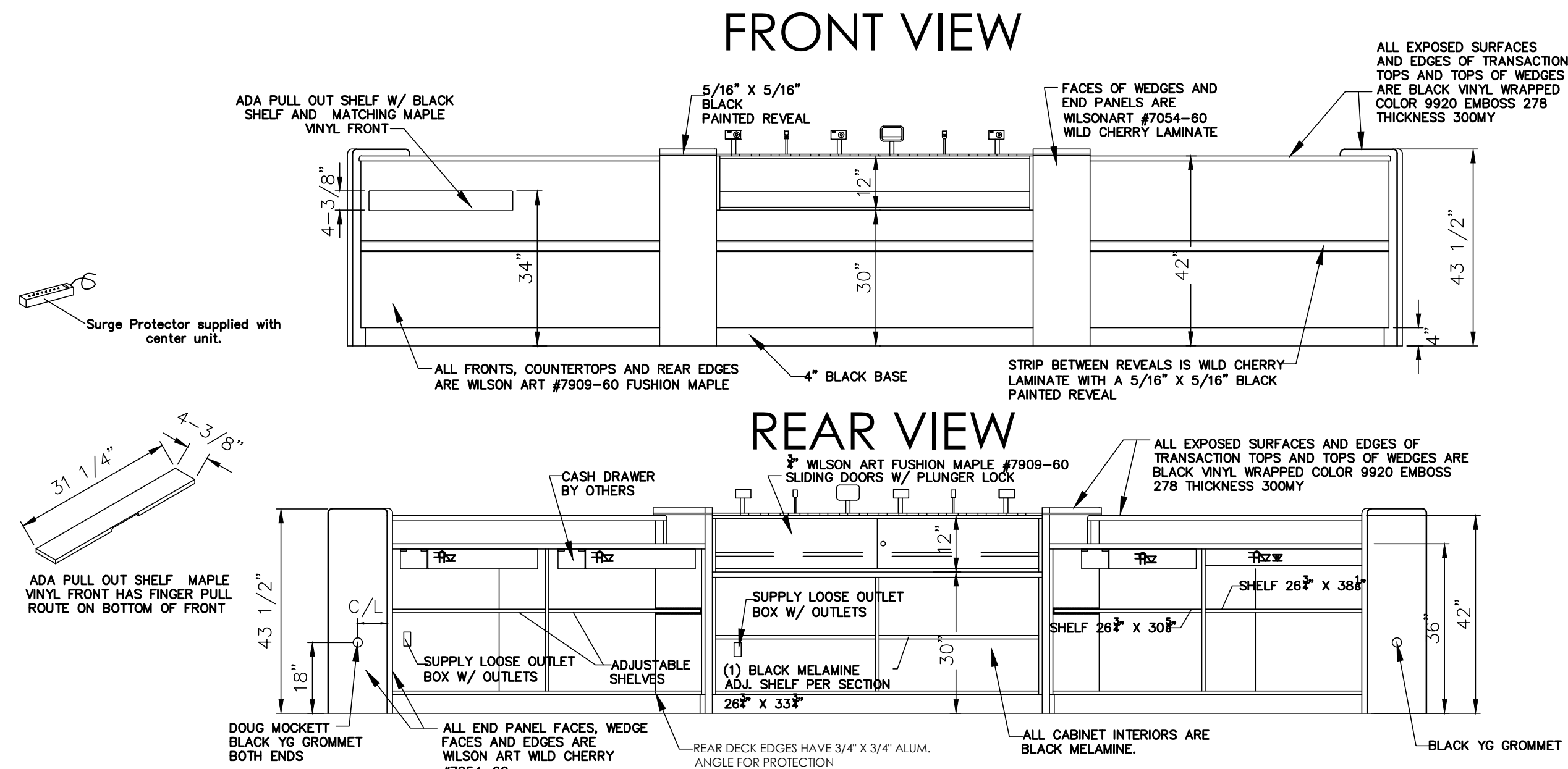


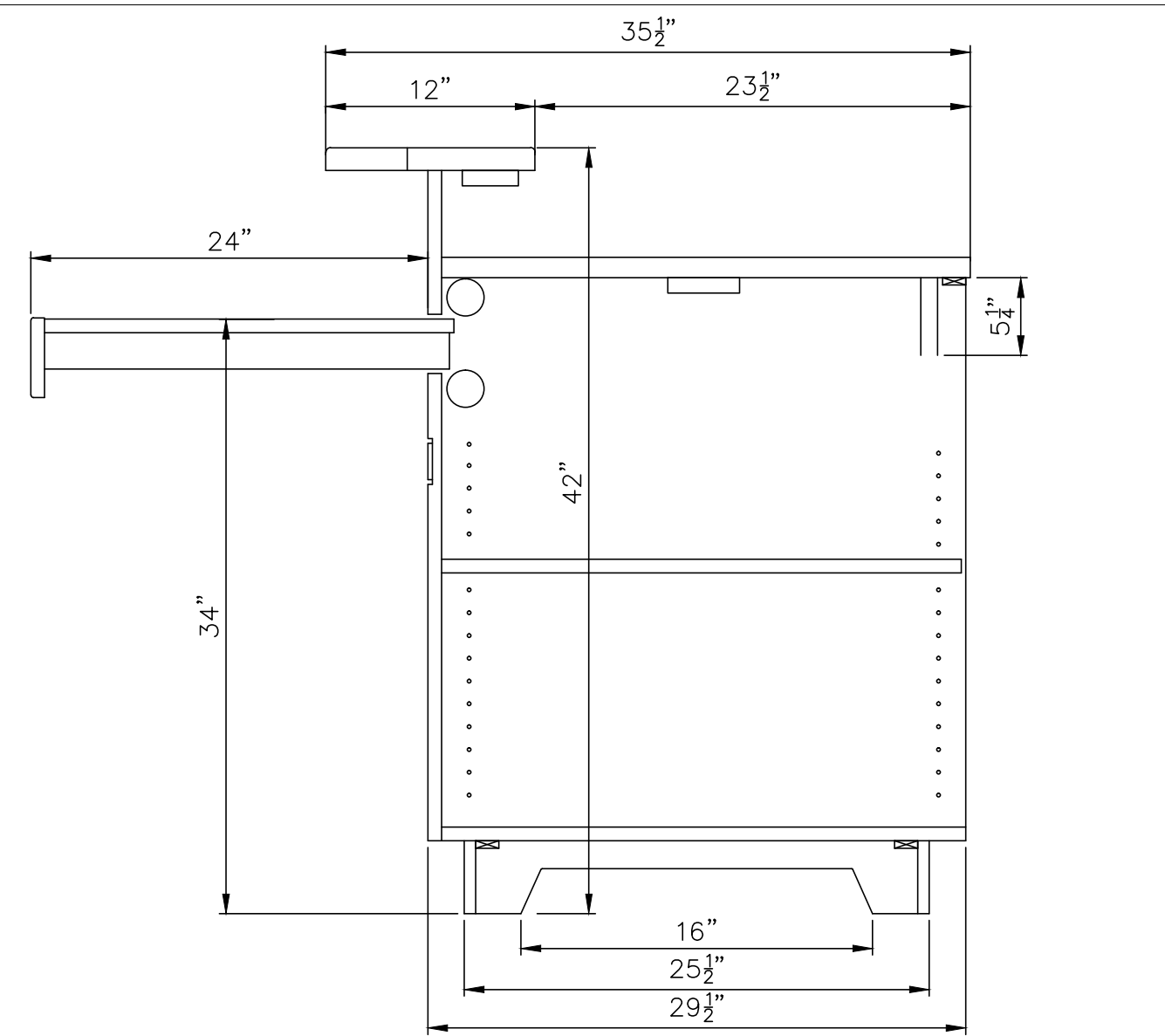
Transaction Counter Detail 1
SP3



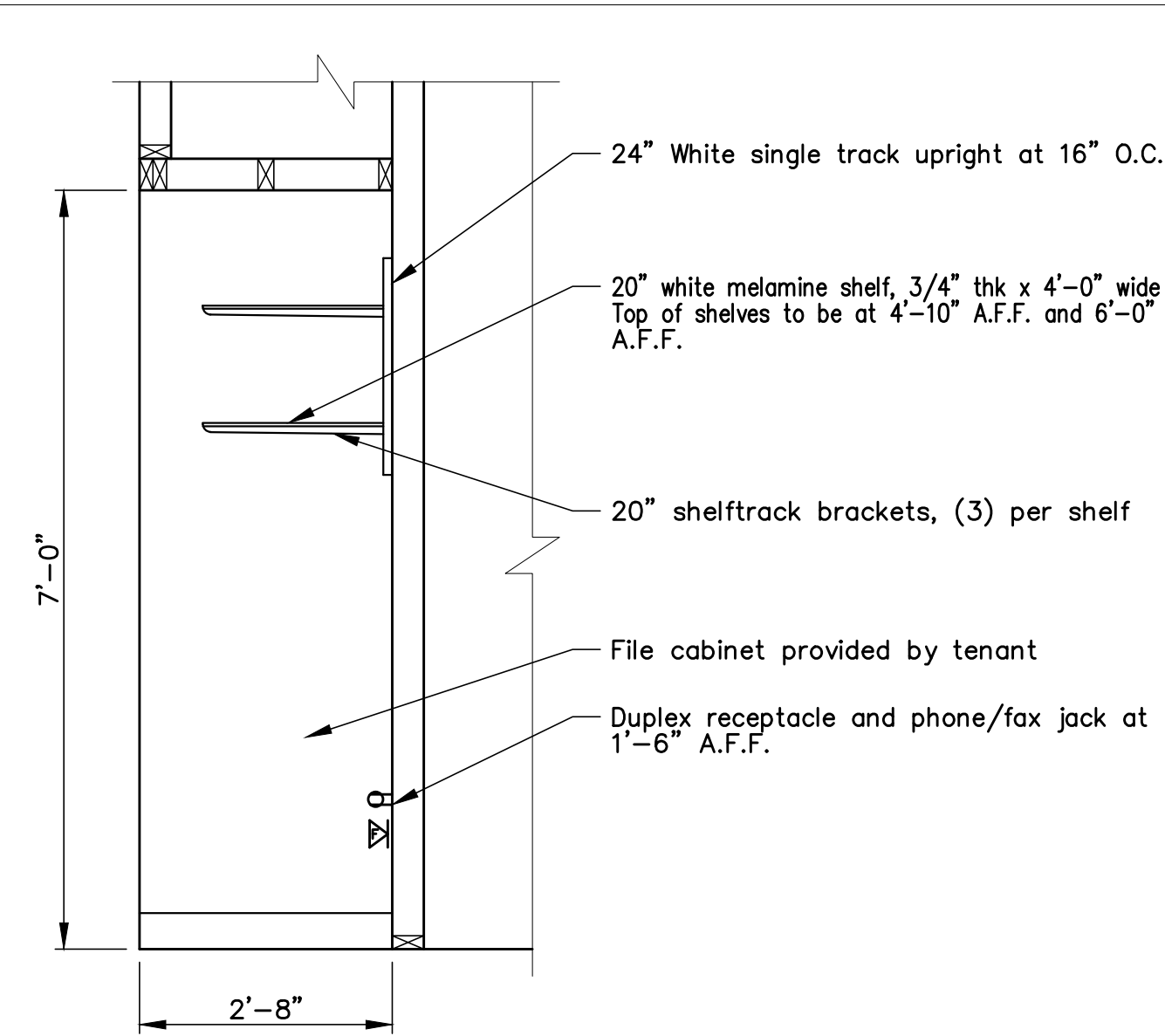
Partial Counter Detail w/
Conduit Specifications 2
SP3



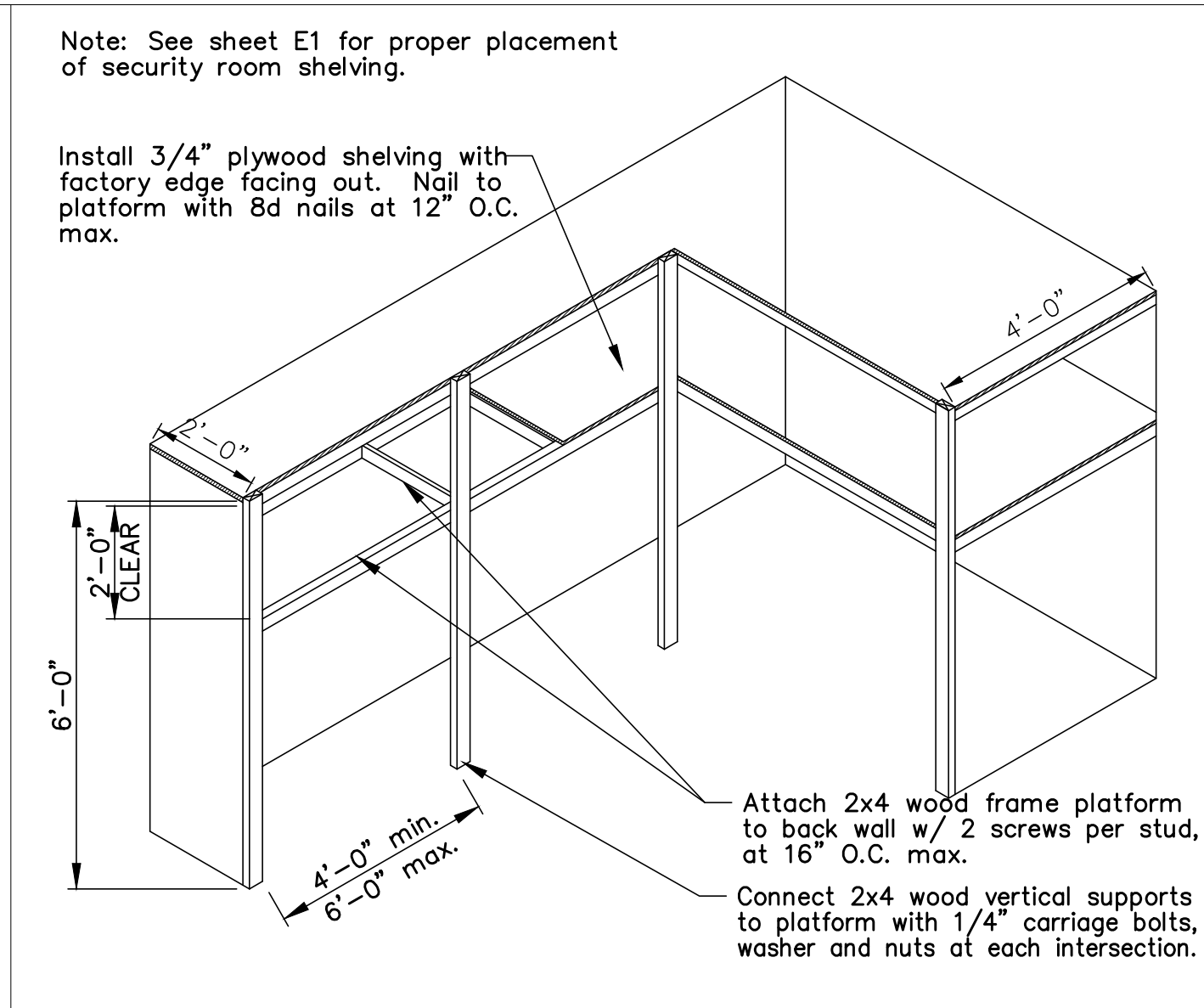
Transaction Counter Front and Rear Elevations 3
Transaction Counter is in Compliance with the Americans with Disabilities Act Accessibility Guidelines, Section 7.2
SP3



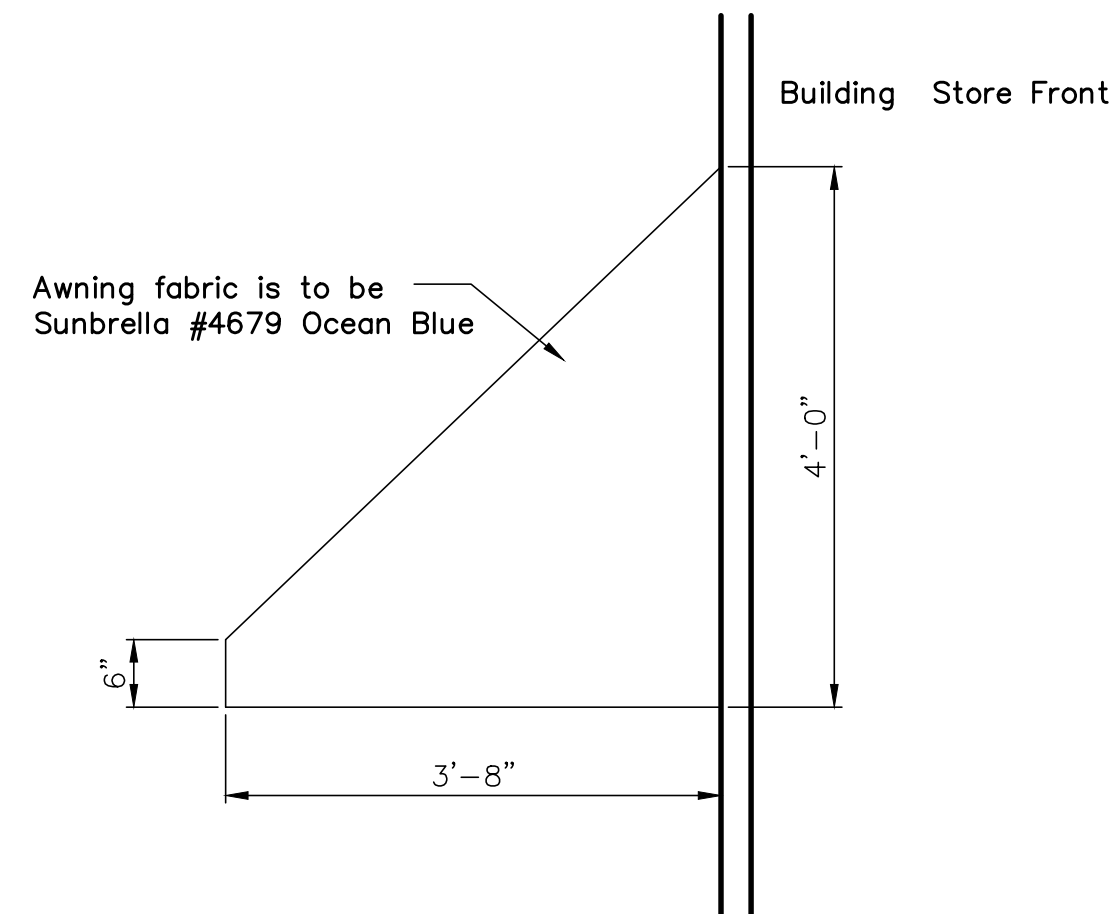
Side Detail of Transaction Counter 4
SP3



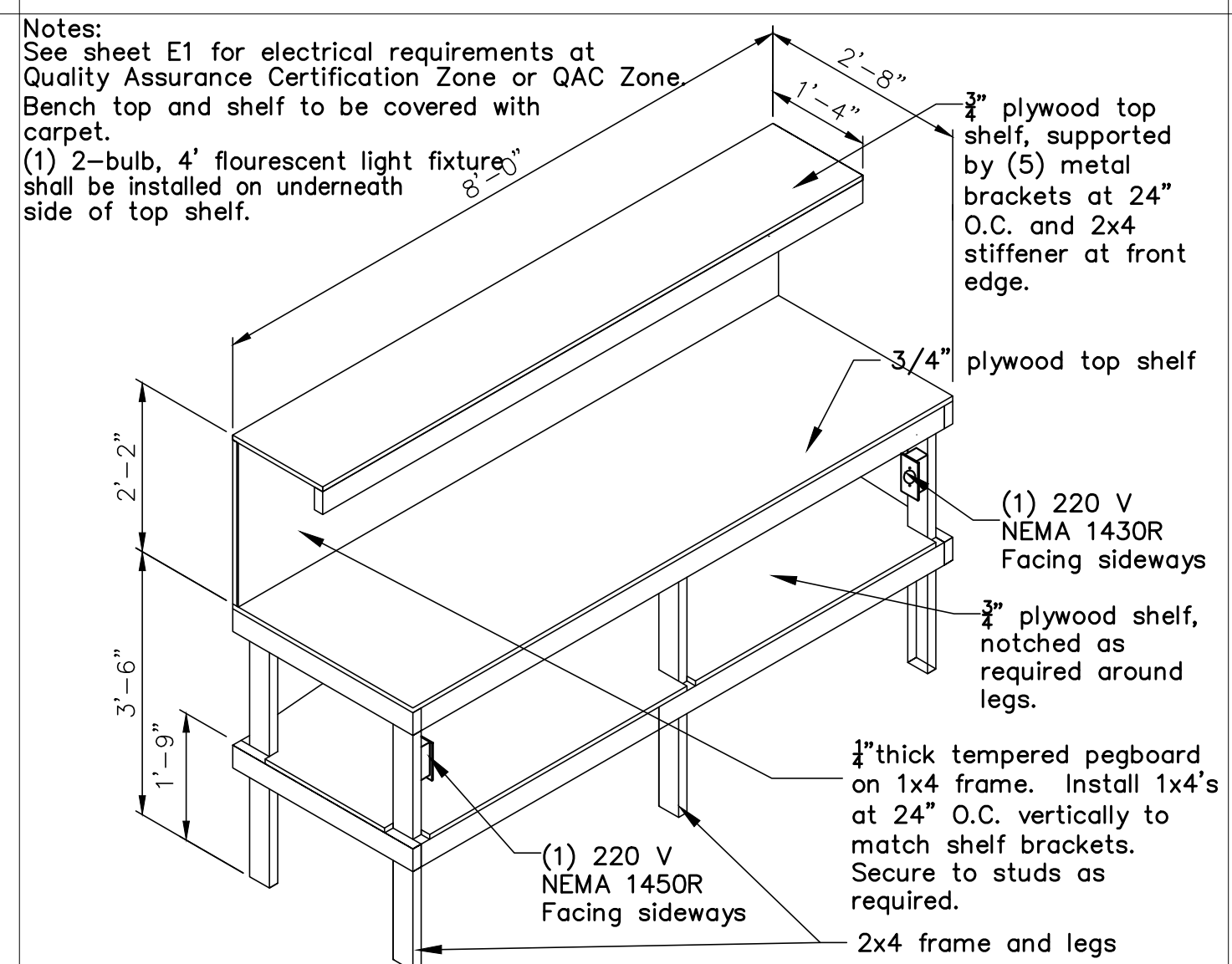
Cabinet Recess Detail 5
SP3



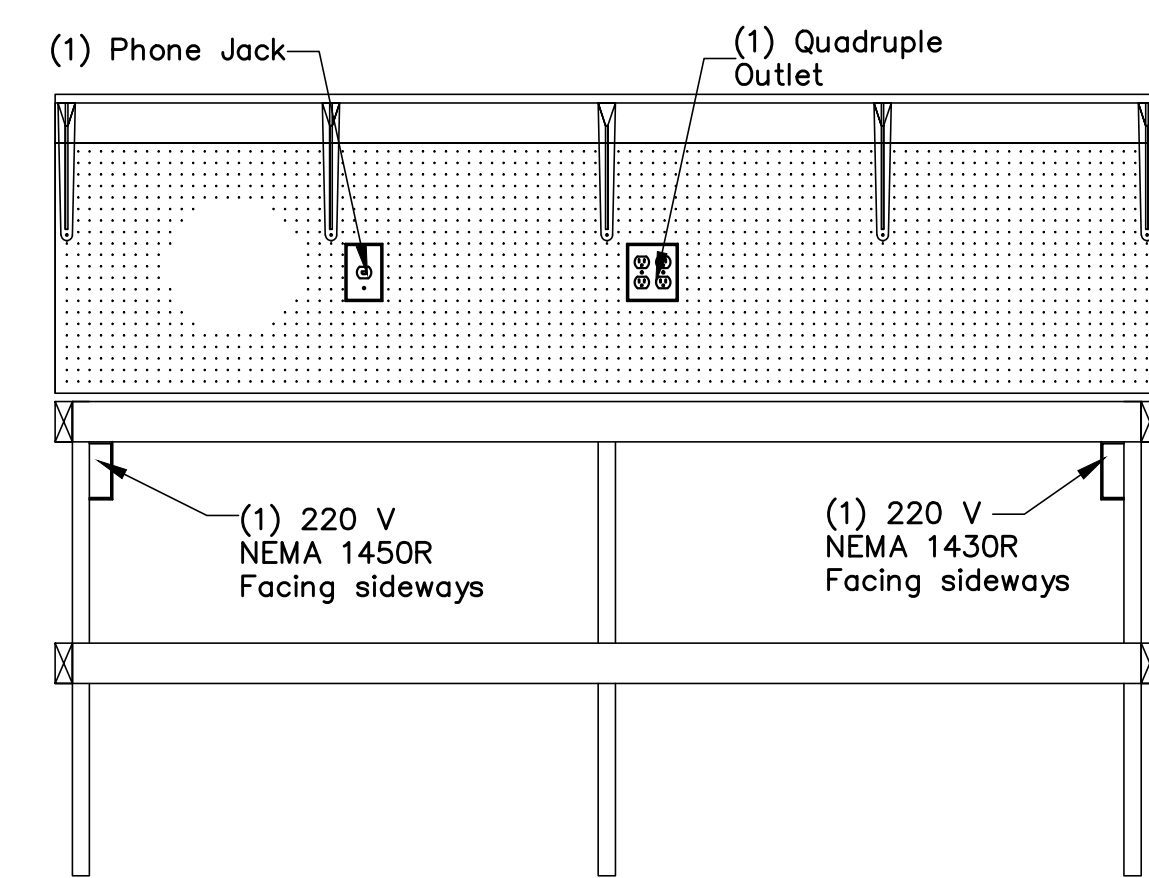
Security Rm Shelving Detail 6
SP3



Awning Detail 7
SP3



QAC Zone Detail 8
SP3



QAC Zone Elevation 9
SP3

CWS
Architects

434 Cumberland Avenue
Portland, ME 04101
Phone: (207) 774-4441
Fax: (207) 774-4016
www.CWSarch.com

LICENSED ARCHITECT
GUY T. LABRECQUE JR.
No. 5588
STATE OF MAINE

AARON'S RENOVATIONS
1041 BRIGHAM AVENUE
PORTLAND, MAINE 04101

SEI/AARON'S, INCORPORATED
5108 PIEDMONT ROAD, SUITE 202
ATLANTA, GA 30350

REVISIONS:

Date:	Description:

FIXTURE SPECIFICATIONS

AS NOTED
Date: 02/19/2010
CWS Proj. No.: 09429

Drawing Number:
SP3