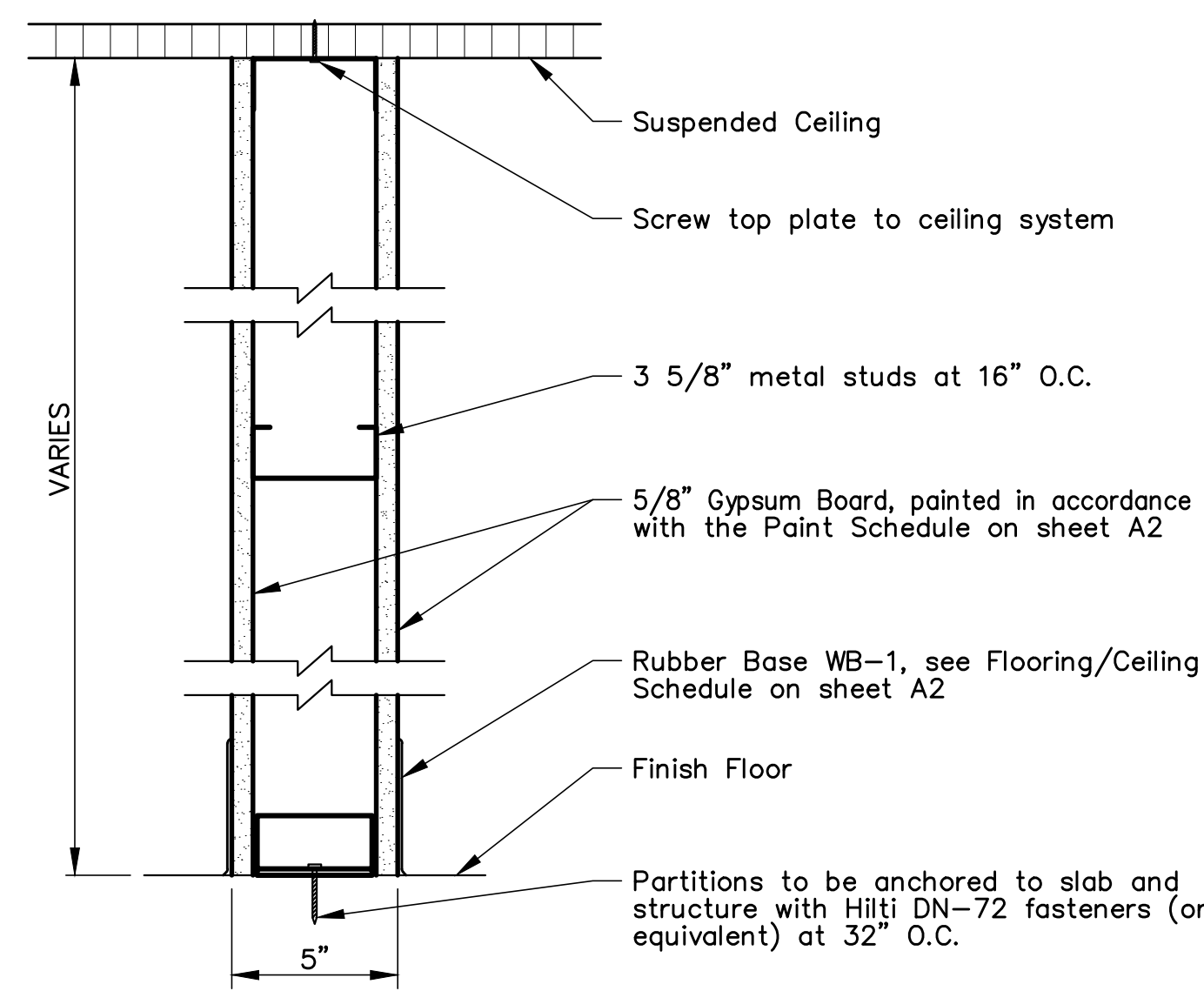


Wall Detail - Type 1

Fire Rating: None

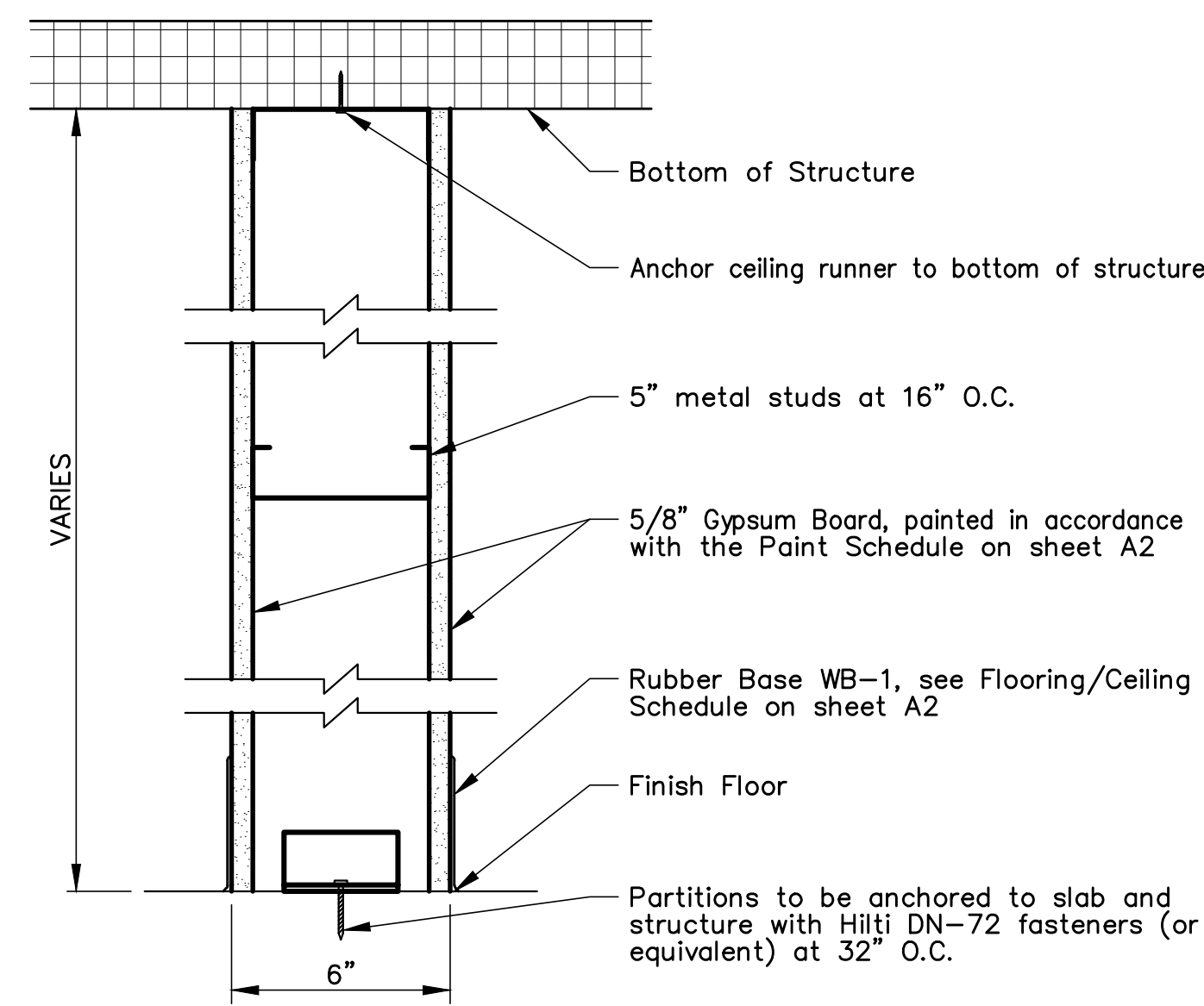
1
SP1



Wall Detail - Type 2

Fire Rating: None

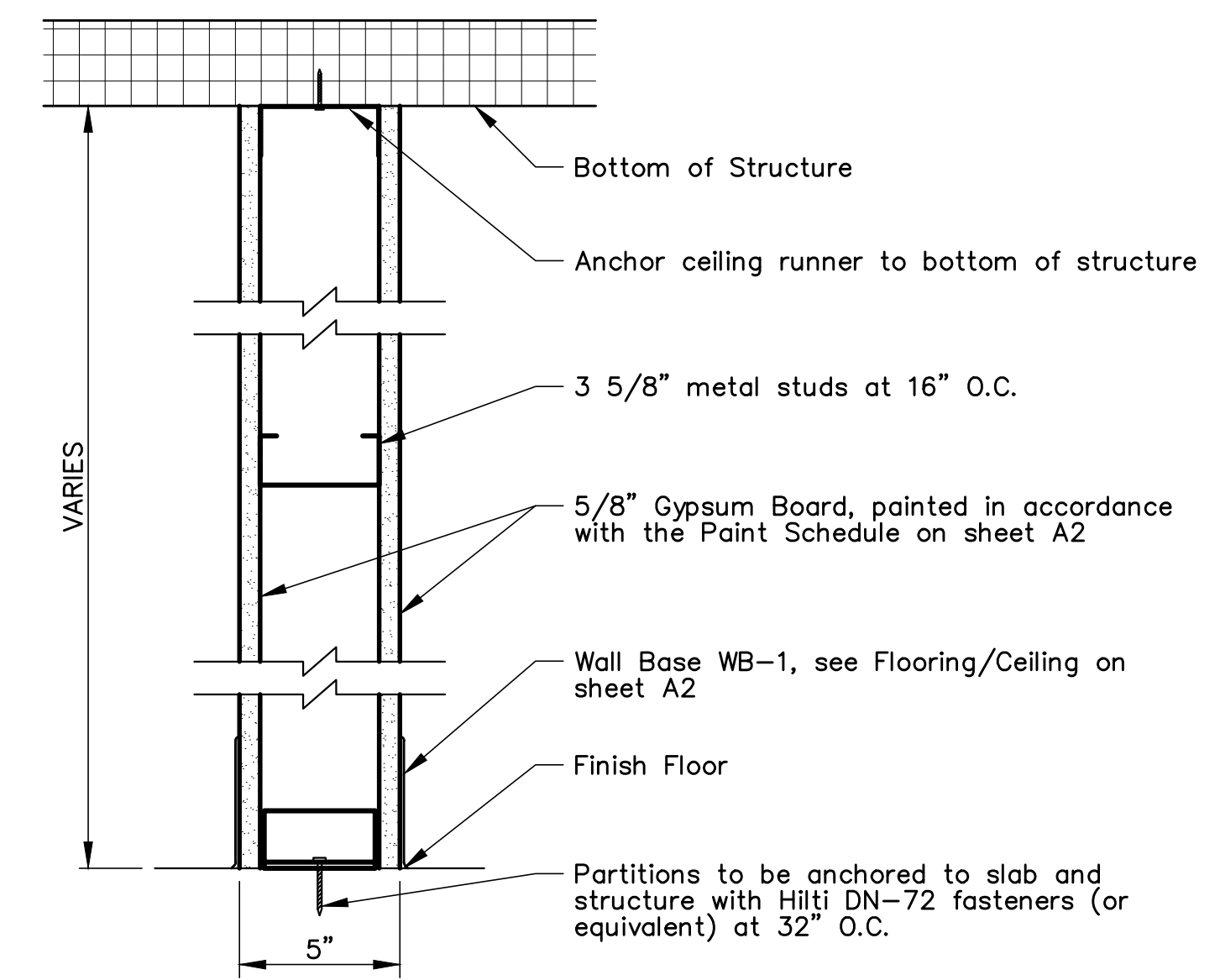
2
SP1



Wall Detail - Type 3

Fire Rating: None

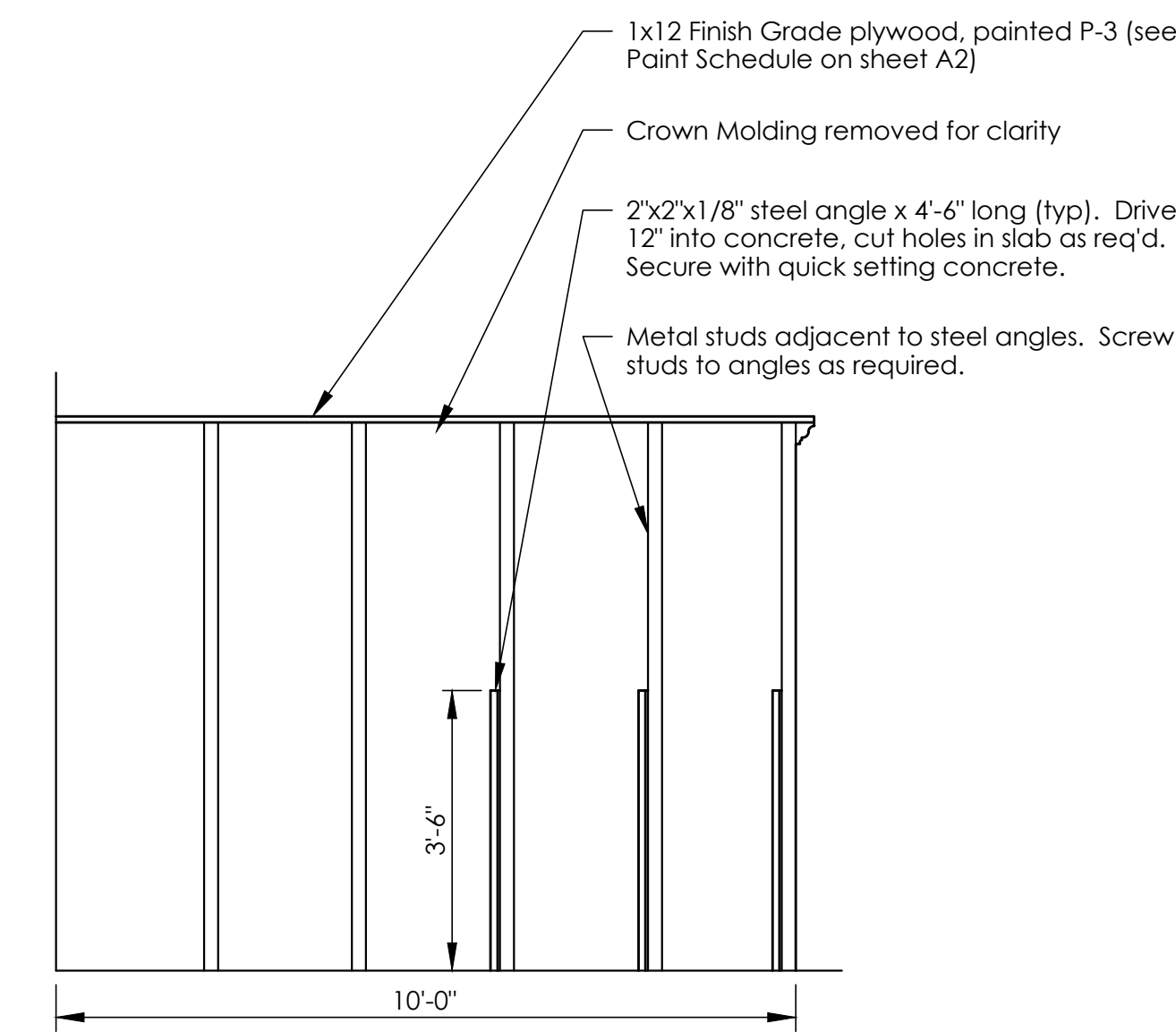
3
SP1



Wall Detail - Type 4

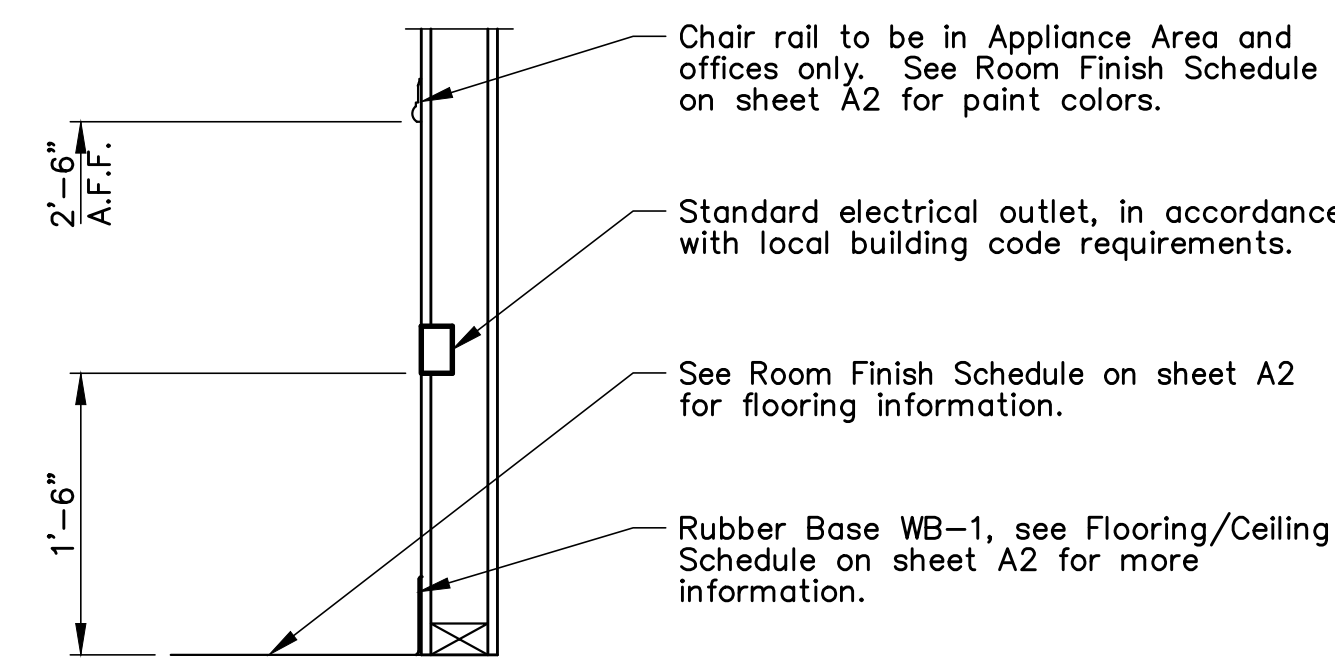
Fire Rating: One Hour

4
SP1



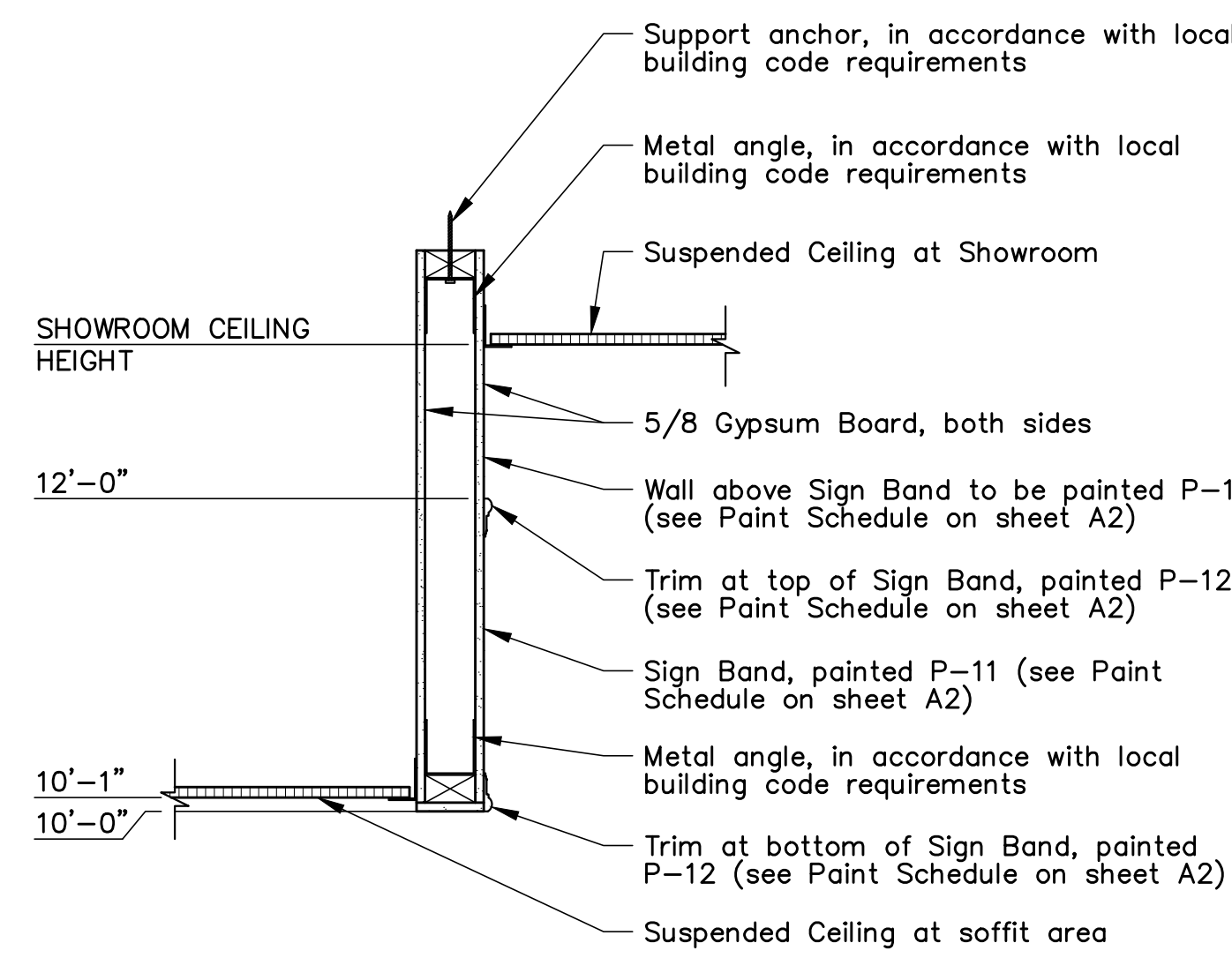
Wall Type 1 Support Detail

5
SP1



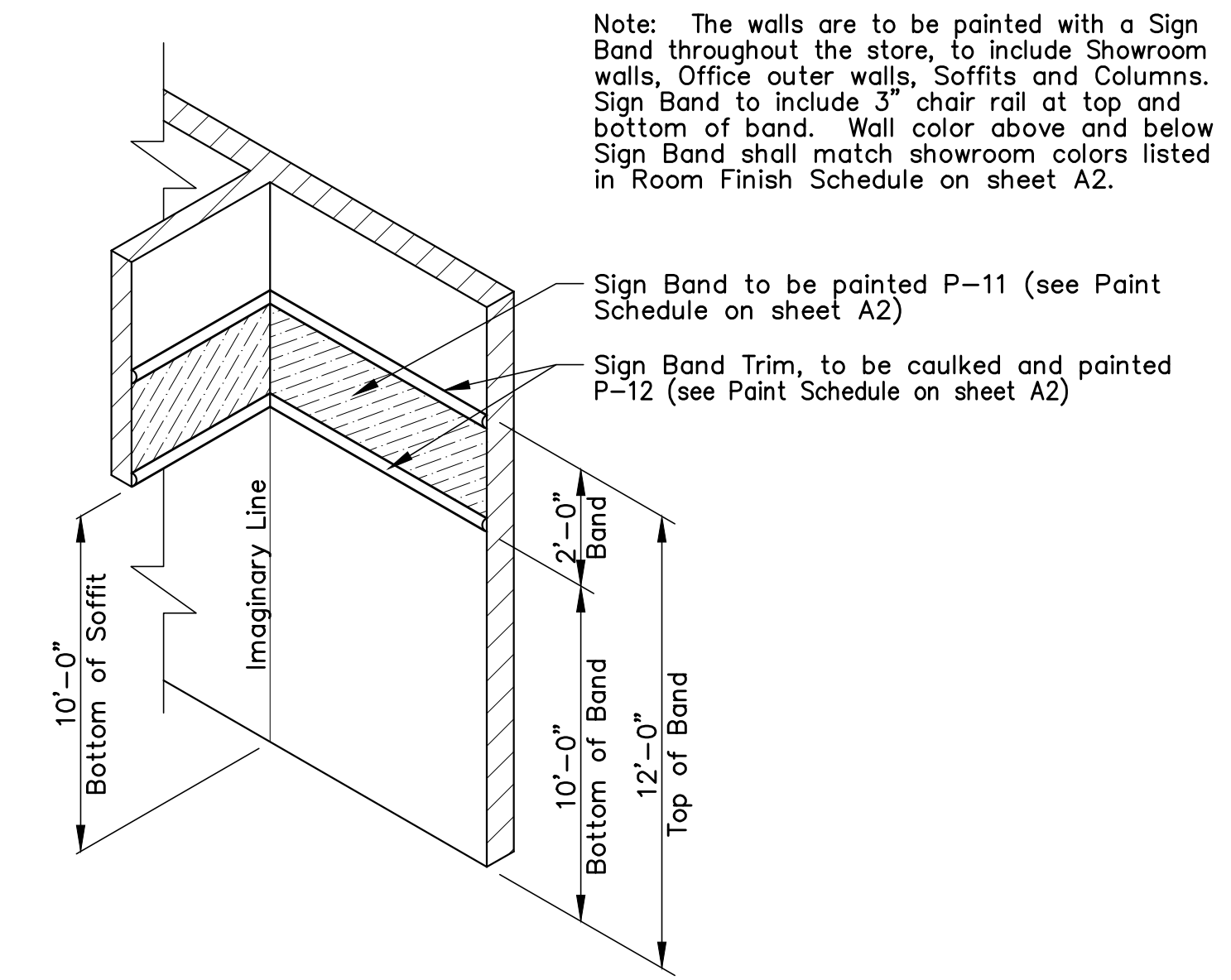
Chair Rail Molding Detail

6
SP1



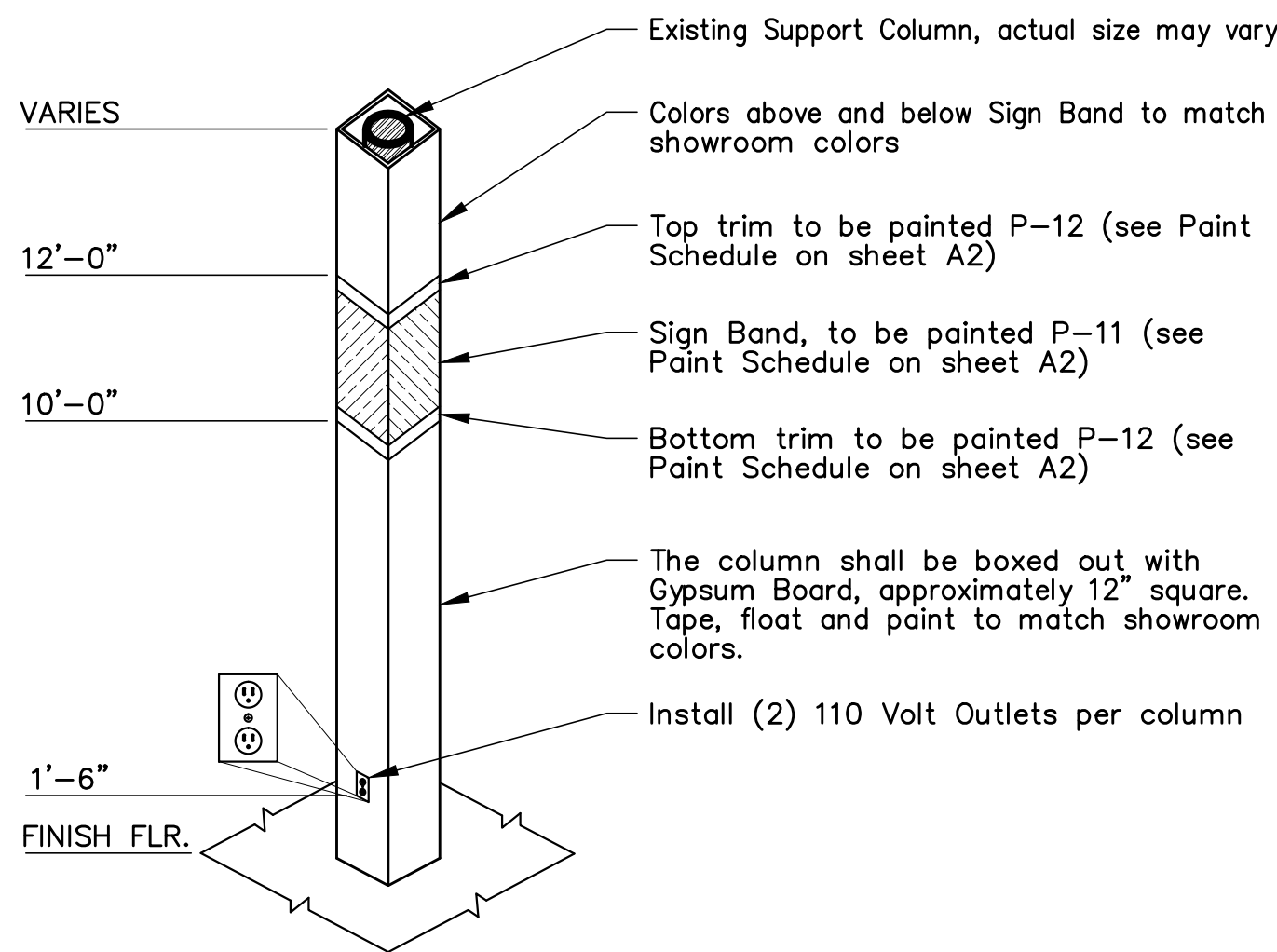
Soffit Detail

7
SP1



Sign Band Detail

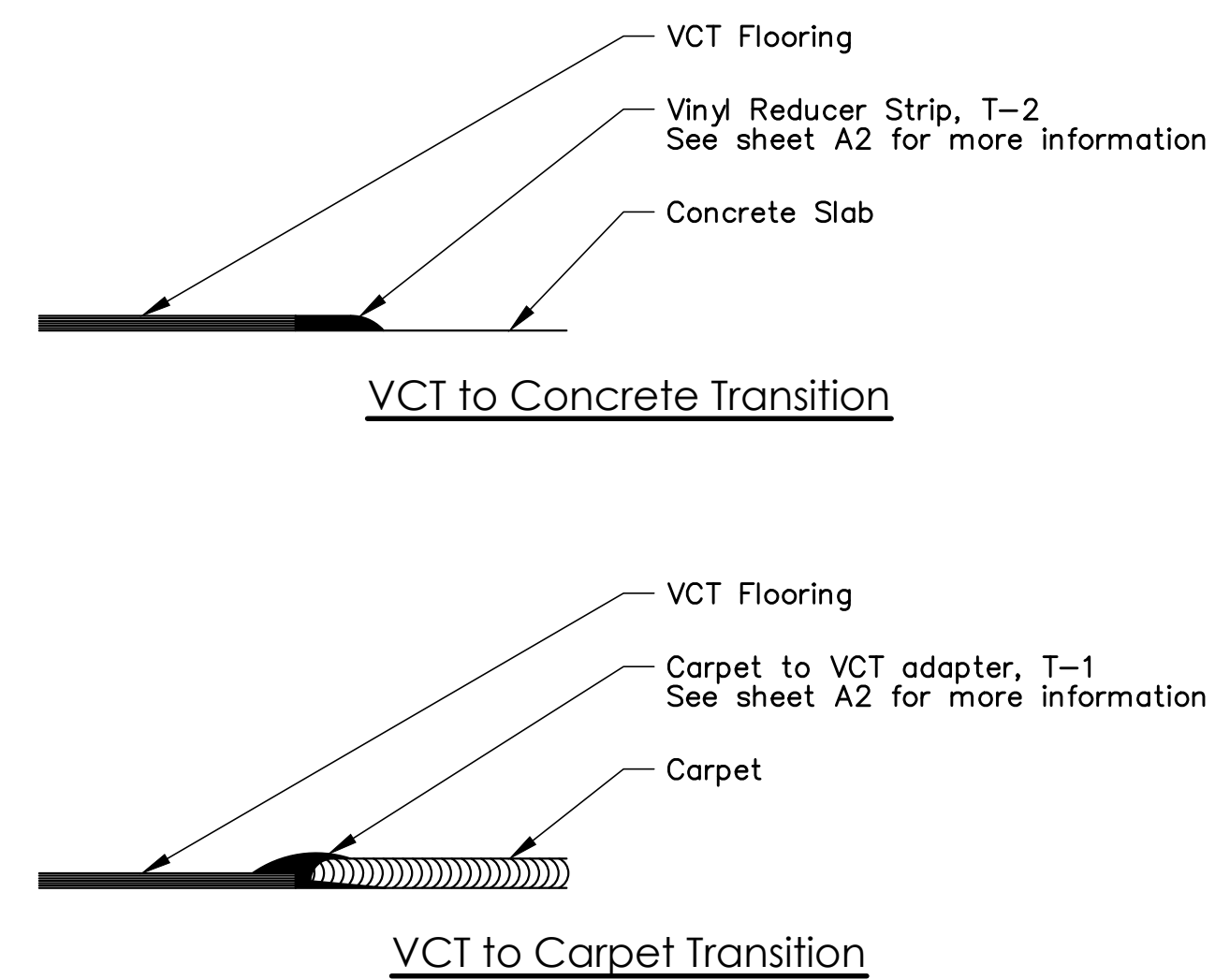
8
SP1



Column Wrap Detail

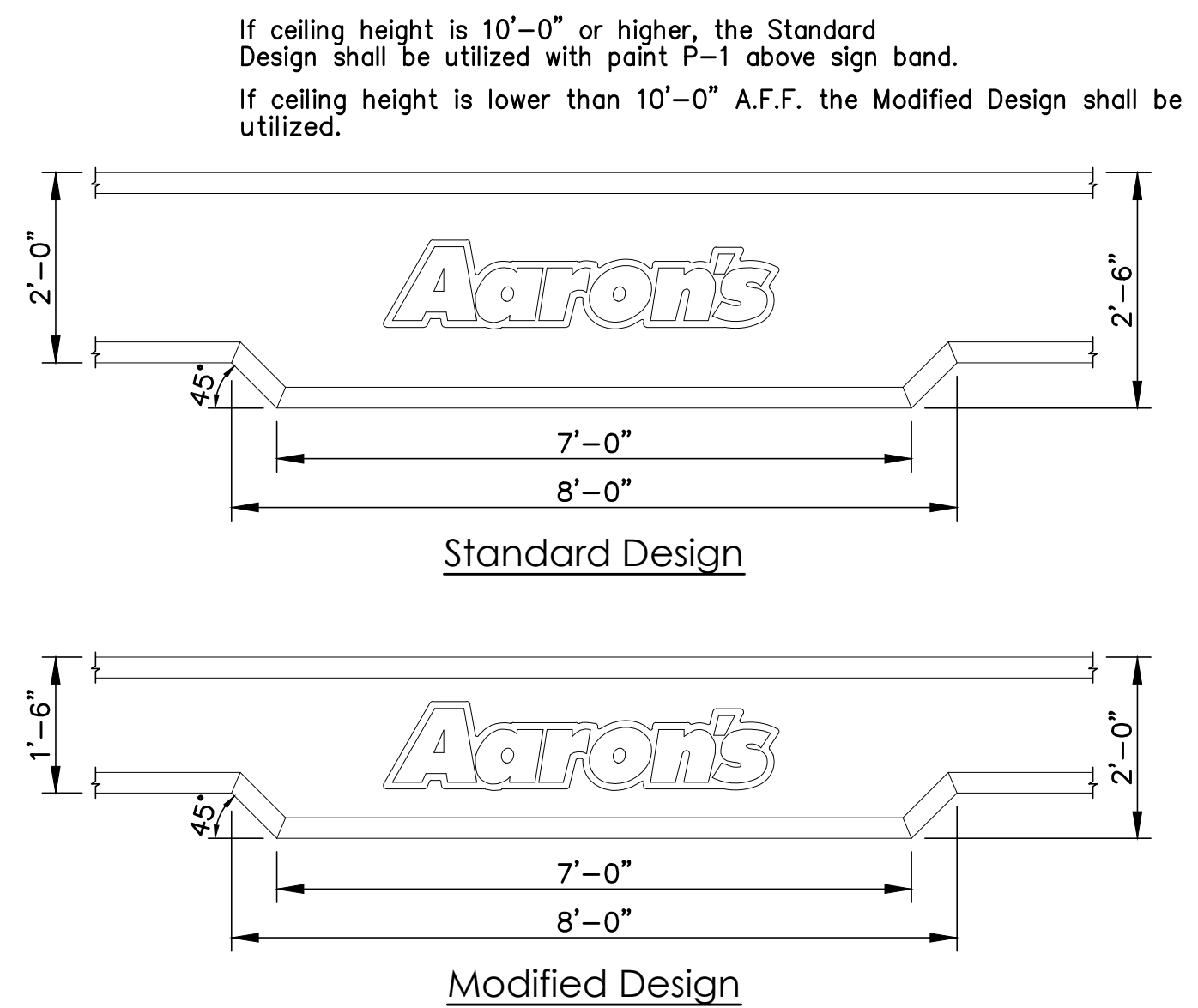
For columns in the Showroom, if applicable

9
SP1



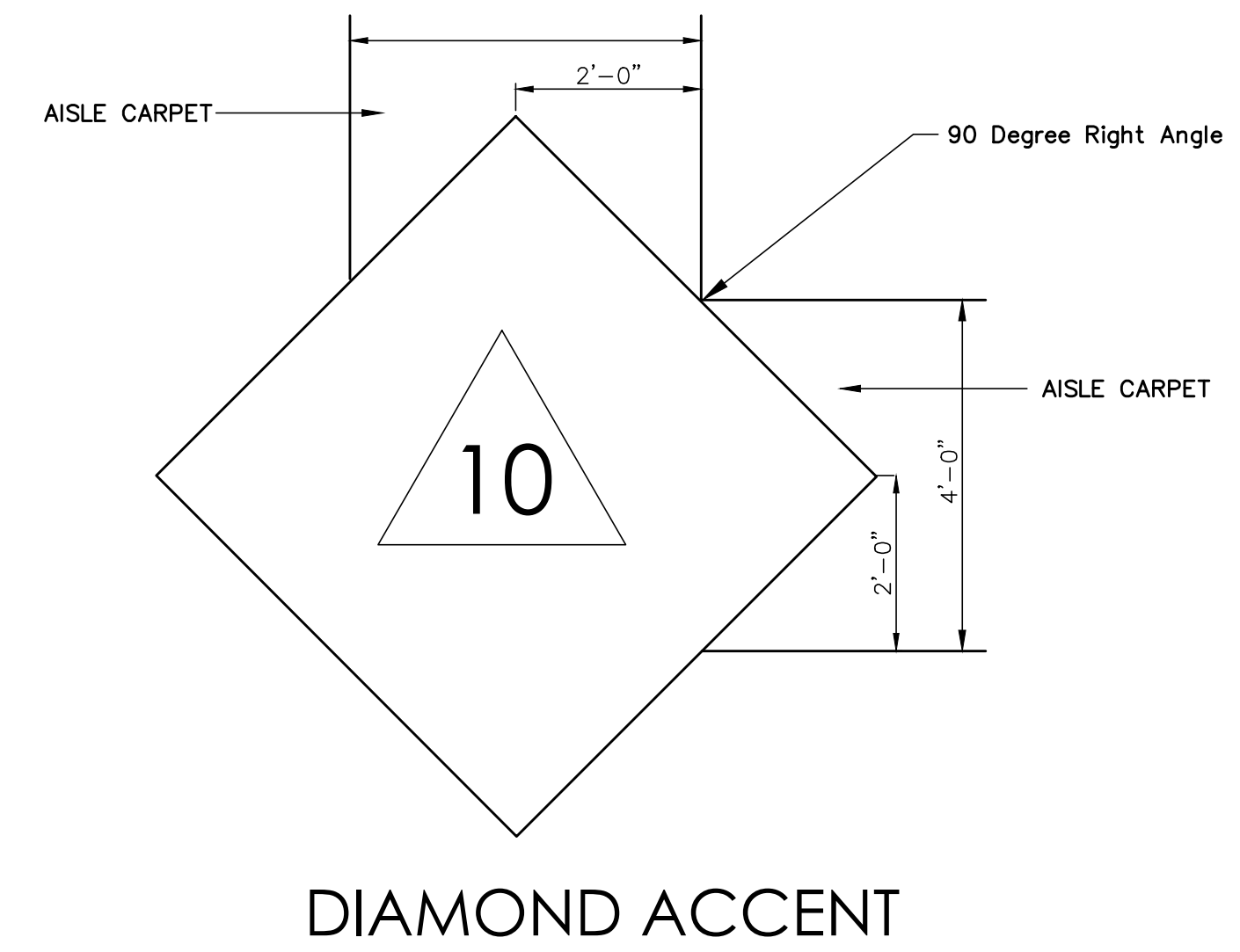
Flooring Transition Details

10
SP1



Office Sign Band Detail

11
SP1

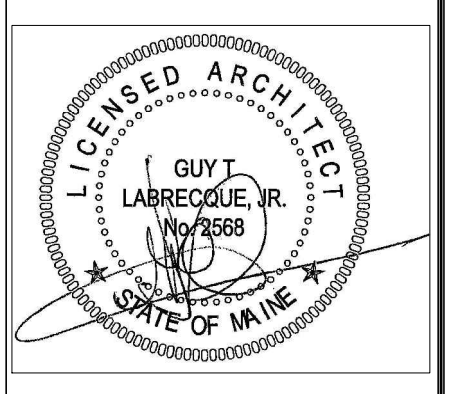


CARPET ACCENT DETAIL

12
SP1

CWS
Architects

434 Cumberland Avenue
Portland, ME 04101
Phone: (207) 774-4441
Fax: (207) 774-4016
www.CWSarch.com



AARON'S RENOVATIONS
1041 BRIGHAM AVENUE
PORTLAND, MAINE 04101

Owner:
SEI/AARON'S, INCORPORATED
5108 PIEDMONT ROAD, SUITE 202
ATLANTA, GA 30350

REVISIONS:	Date:	Description:

Drawing Title:
CONSTRUCTION SPECIFICATIONS

Scale: N15
Date: 02/19/2010
CWS Proj. No.: 09429

Drawing Number:
SP-1