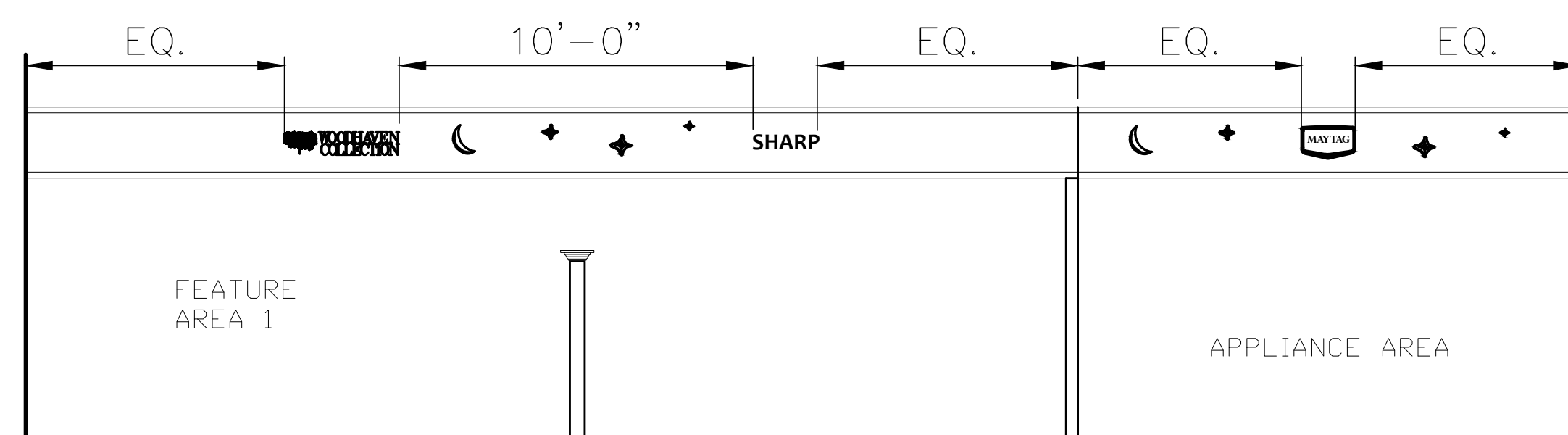
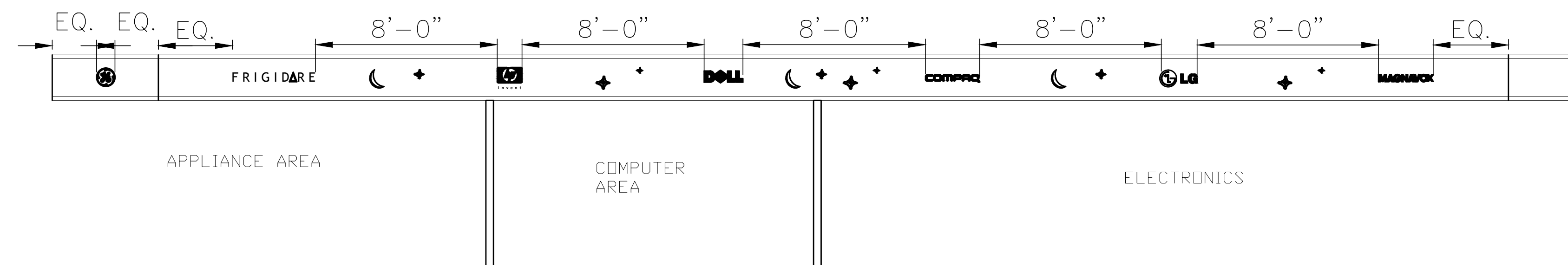


A VENDOR LOGO ELEVATION
A5 SCALE: N.T.S.



B VENDOR LOGO ELEVATION
A5 SCALE: N.T.S.



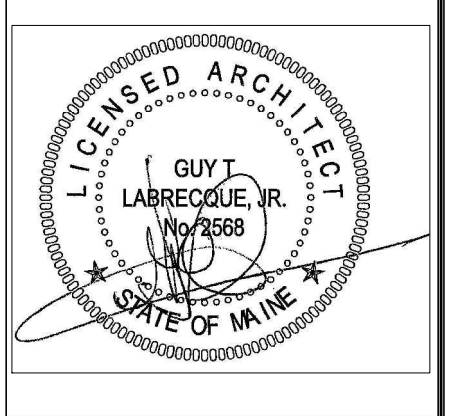
C VENDOR LOGO ELEVATION
A5 SCALE: N.T.S.



D VENDOR LOGO ELEVATION
A5 SCALE: N.T.S.

VENDOR LOGO LEGEND					
#	VENDOR LOGO	SIZE	#	VENDOR LOGO	SIZE
1	Aaron's	14.25" X 61.50"	13	SINCE 1955	11.47" X 15.50"
2	FRIGIDARE	5.92" X 45.00"	14	DELL	7.00" X 20.63"
3	MITSUBISHI ELECTRIC	7.30" X 21.00"	15	WOODHAVEN COLLECTION	8.50" X 27.50"
4	SHARP	4.82" X 30.40"	16	hp	7.50" X 11.00"
5	MAYTAG	11.25" X 18.65"	17	JVC	5.50" X 13.00"
6	GE	9.75" X 9.75"	18	hp INVENT	11.88" X 14.00"
7	LG	9.30" X 20.00"	19	MAGNAVOX	5.00" X 29.50"
8	COMPAQ	5.22" X 29.00"	20	RiversEdge FURNITURE COMPANY	9.00" X 29.50"
9	SIMMONS	9.95" X 6.43"	21	Amana	6.43" X 26.00"
10	ACORP <small>Aaron's Community Outreach Program</small>	13.56" X 45.00"	22	PHILIPS	5.88" X 24.75"
11	Aaron's	9.38" X 25.20"	23	XBOX360	5.07" X 24.20"
12	ACORP	10.70" X 25.20"			TO BE USED AS FILLERS

CWS Architects
 434 Cumberland Avenue
 Portland, ME 04101
 Phone: (207) 774-4441
 Fax: (207) 774-4016
 www.CWSarch.com



AARON'S RENOVATIONS
 1041 BRIGHAM AVENUE
 PORTLAND, MAINE 04101

SEI/AARON'S, INCORPORATED
 5108 PIEDMONT ROAD, SUITE 202
 ATLANTA, GA 30350

REVISIONS:	Date:	Description:

Drawing Title:
VENDOR LOGO ELEVATIONS
 Scale: 1/2" = 1'-0"
 Date: 02/19/2010
 CWS Proj. No.: 09429

Drawing Number:
A5