

Fill Estimation Worksheet

Albert Frick Associates Inc.

95A County Road

Gorham, Me 04038

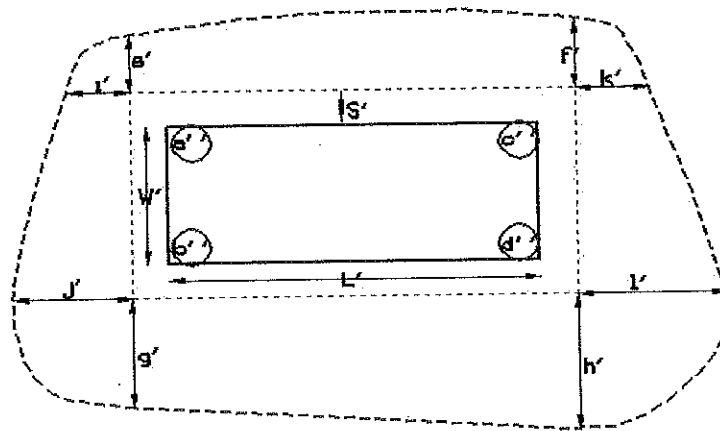
839-5563 FAX - 839-5564

E-Mail - Albert@albertfrick.Com

www.albertfrick.com

Town: Portland
 Project owner/applicant: Francis James Drake
 Taft Avenue
 Portland, Maine

This worksheet is being provided as a complimentary tool to assist in estimating the **approximate** amount of fill required to construct the **proposed system only**. This worksheet does not substitute for a personal visit to the site for your own estimate. These calculations are intended to serve as a check to your work. Site features beyond the model (terrain) can vary to affect model projections.



Length (L)	<u>50.00</u> feet
Width (W)	<u>15</u> feet
Shoulder (S)	<u>3</u> feet
<i>Depth of fill:</i>	
upper left (a)	<u>42</u> inches
upper right (c)	<u>44</u> inches
lower left (b)	<u>50</u> inches
lower right (d)	<u>54</u> inches
<i>Fill Extension:</i>	
left up (e)	<u>11</u> feet
right up (f)	<u>12</u> feet
left down (g)	<u>20</u> feet
right down (h)	<u>22</u> feet
upper left (i)	<u>11</u> feet
lower left (j)	<u>20</u> feet
upper right (k)	<u>12</u> feet
lower right (l)	<u>22</u> feet
Cost of fill per yard= \$ 0.00	

Body	173 cubic yards
Fill Down	95 cubic yards
Fill Up	43 cubic yards
Fill left	24 cubic yards
Fill right	27 cubic yards
Fill upleft	5 cubic yards
Fill upright	6 cubic yards
Fill downleft	17 cubic yards
Fill downright	22 cubic yards

SubTotal= 412 cubic yards

Shrinkage %= 15 %

Total Backfill 474 cubic yards

Adjusted cost of Total Backfill= \$ -