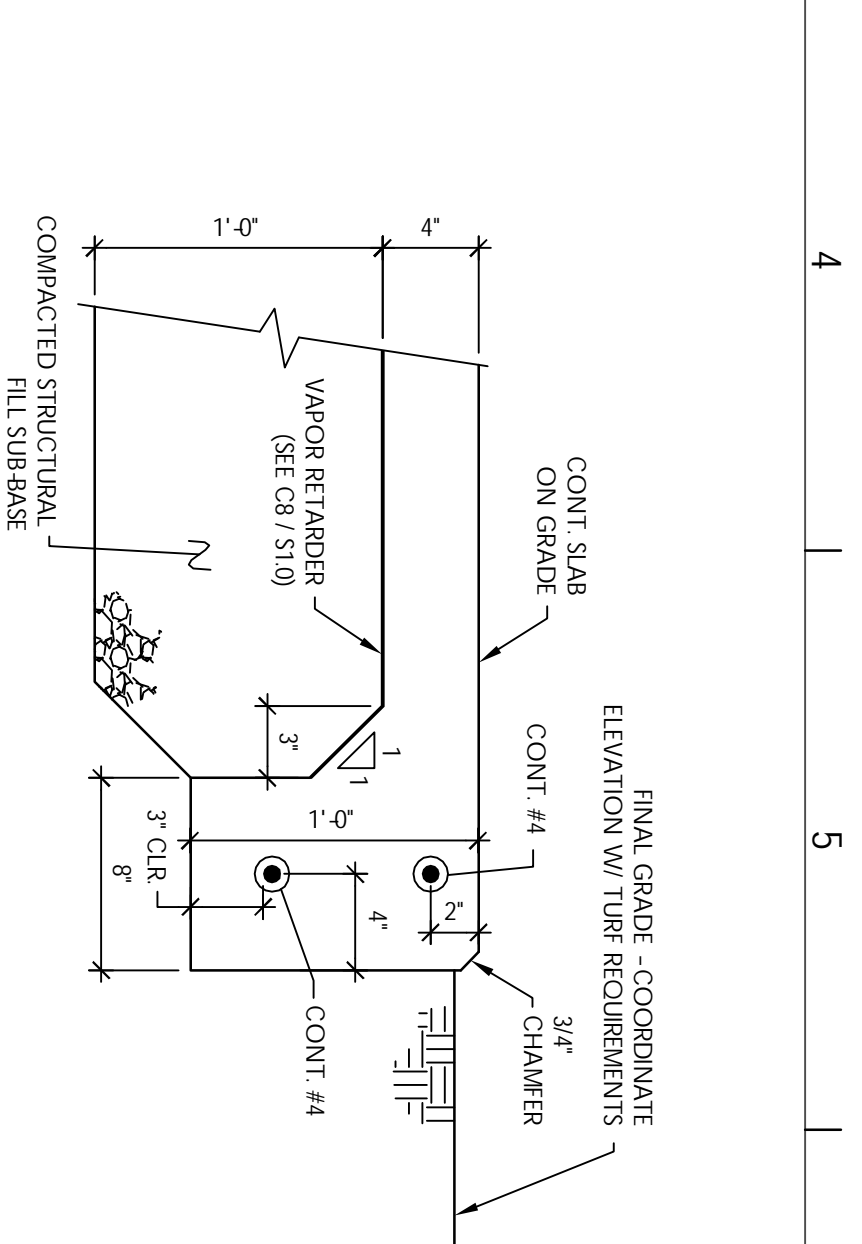
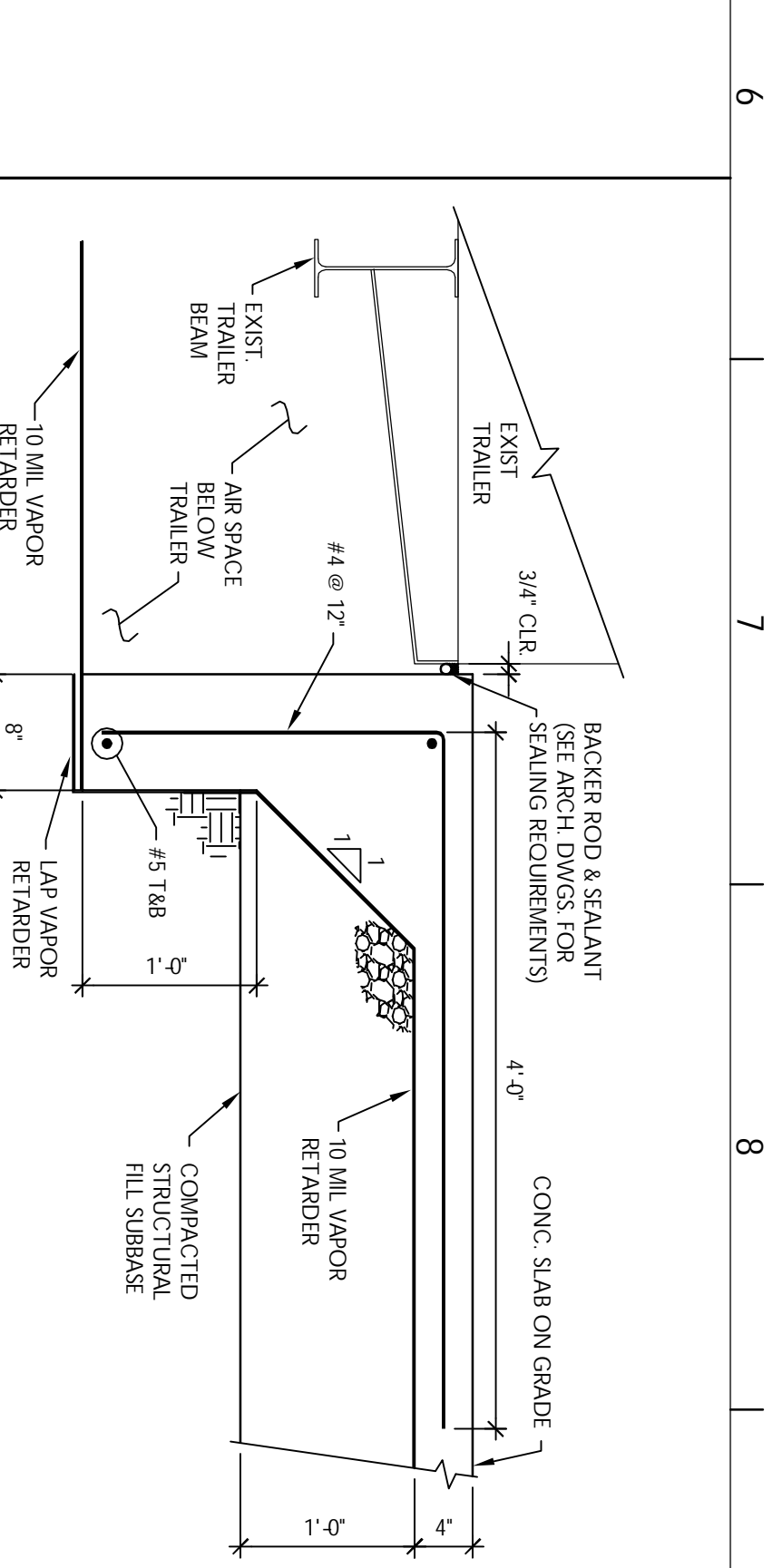


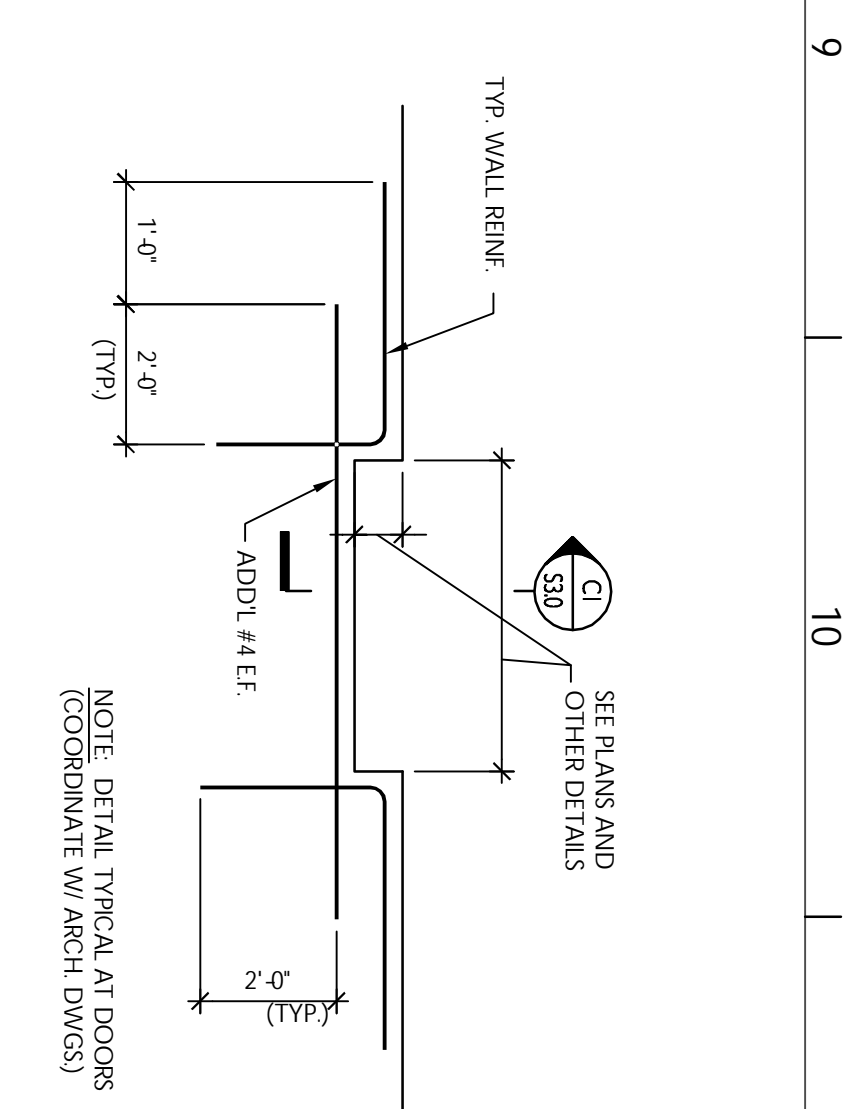
SECTION A  
S30 NTS



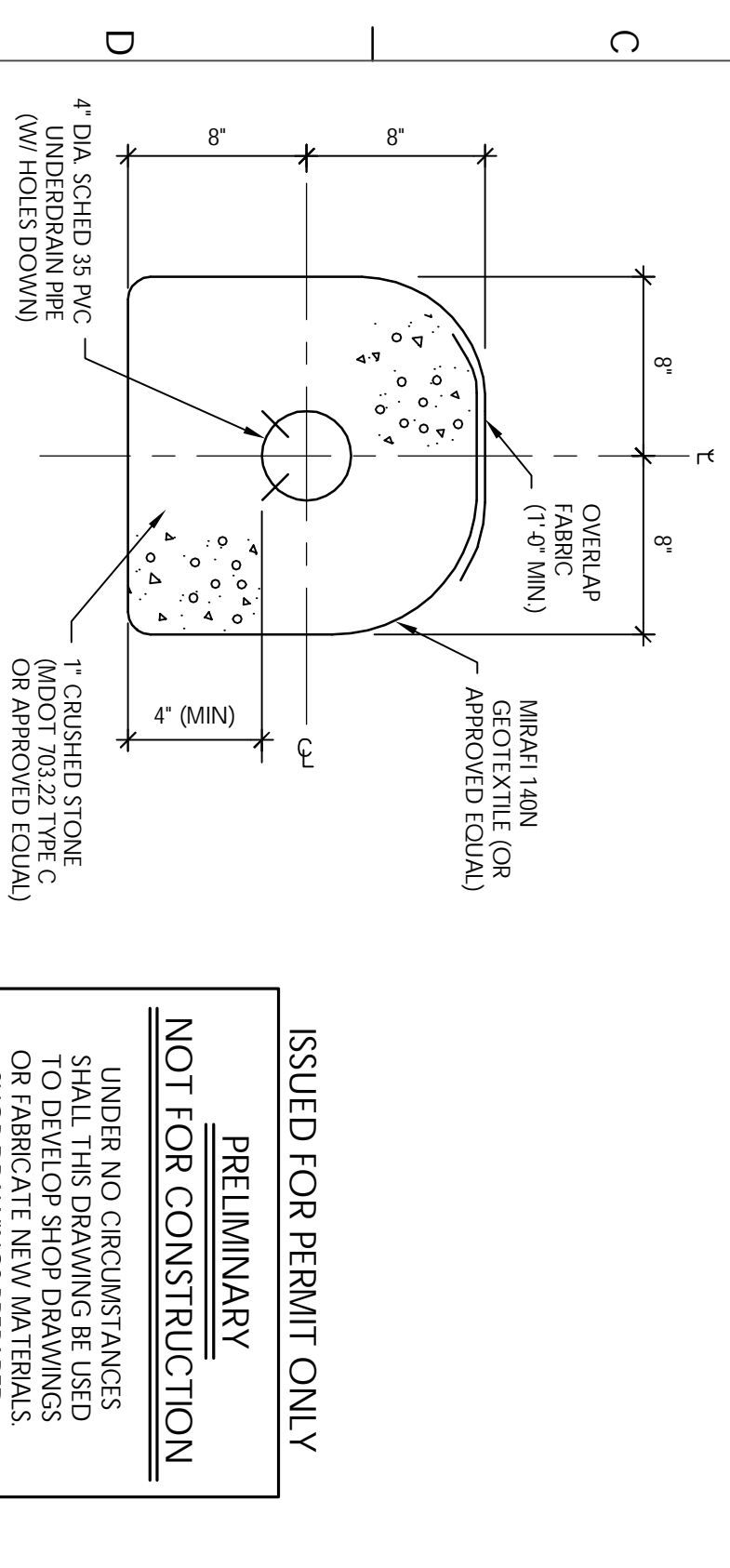
SECTION B  
S30 NTS



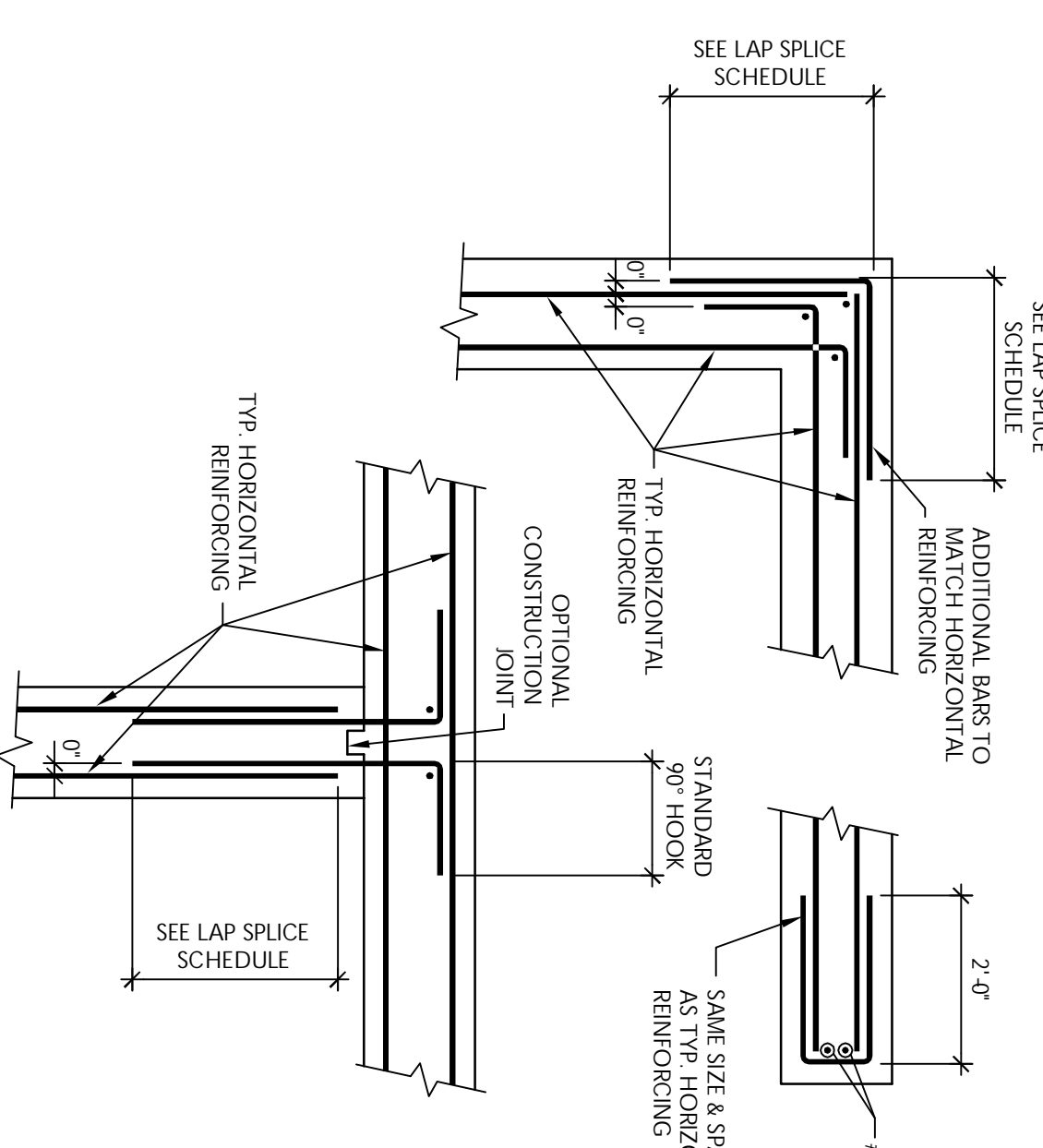
SECTION C  
S30 NTS



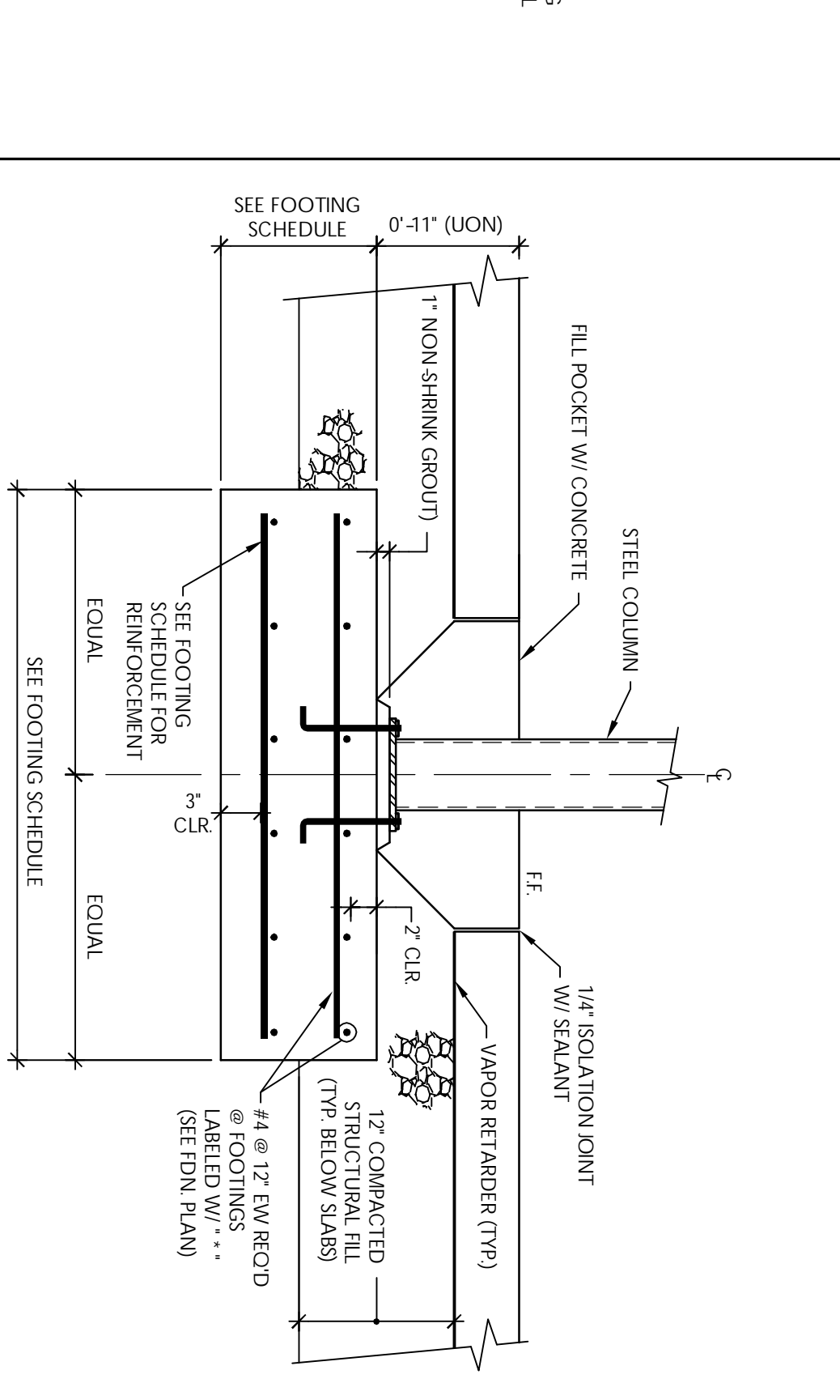
SECTION D  
S30 NTS



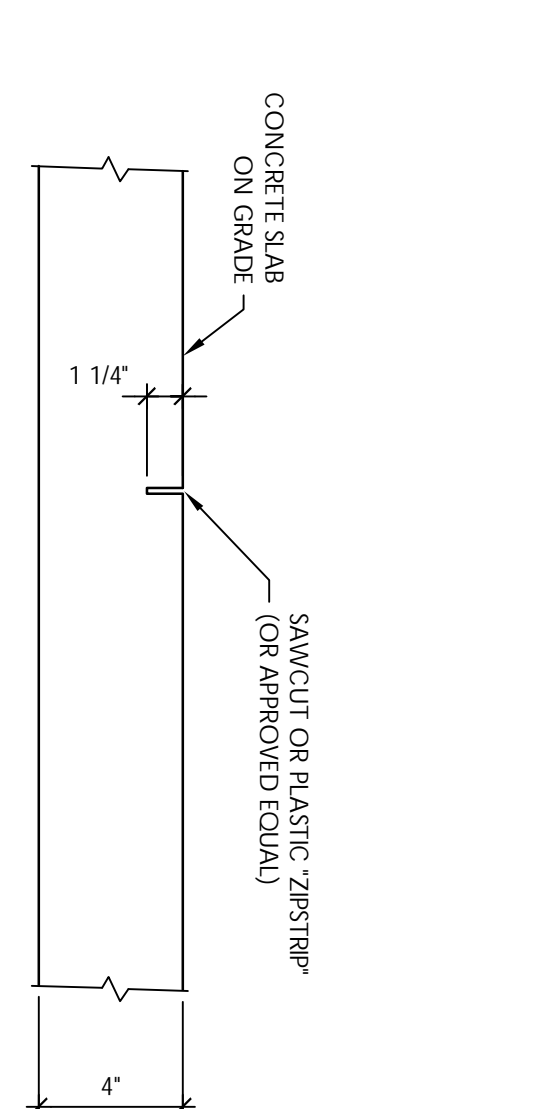
SECTION E  
S30 NTS



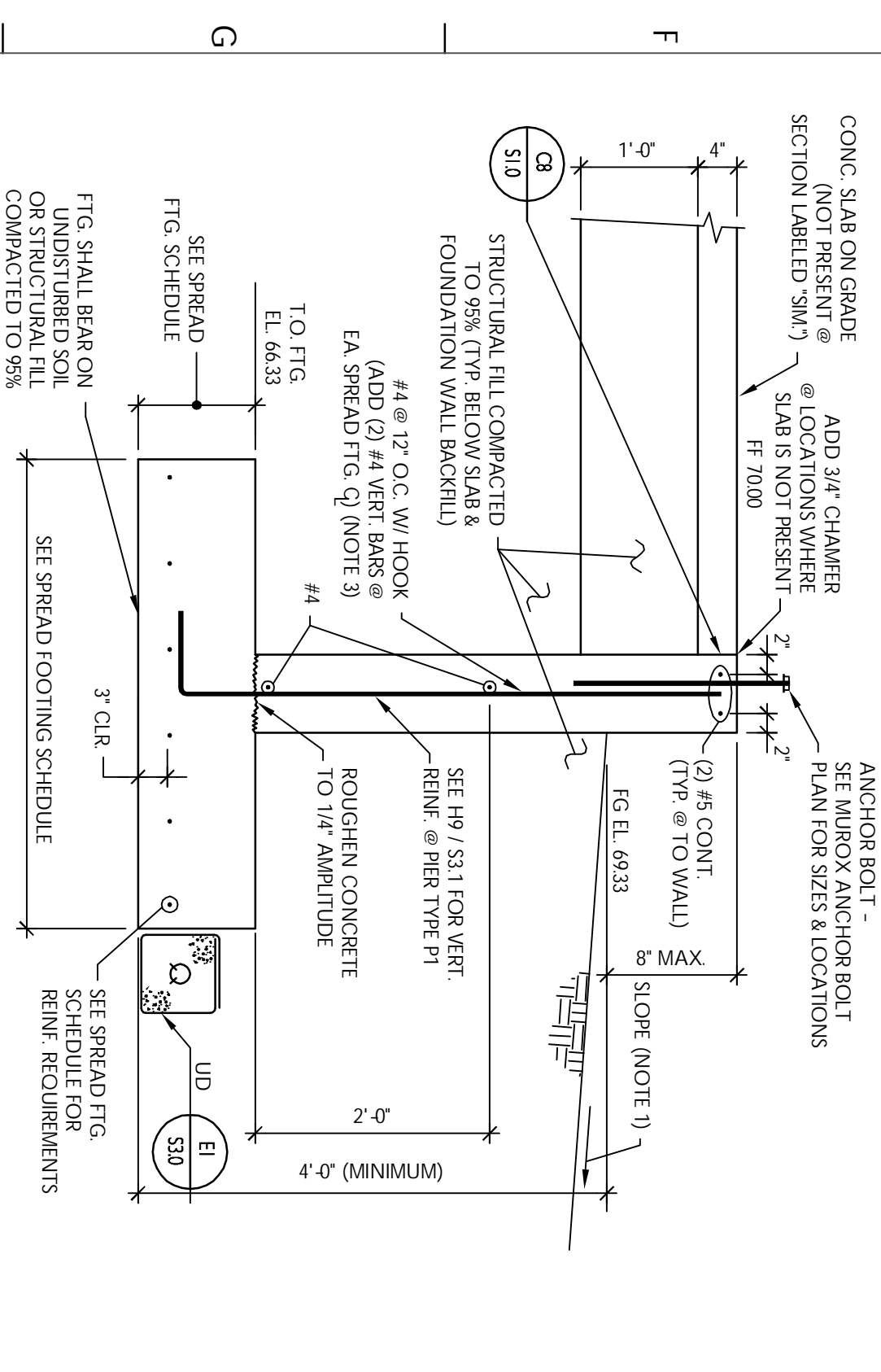
SECTION F  
S30 NTS



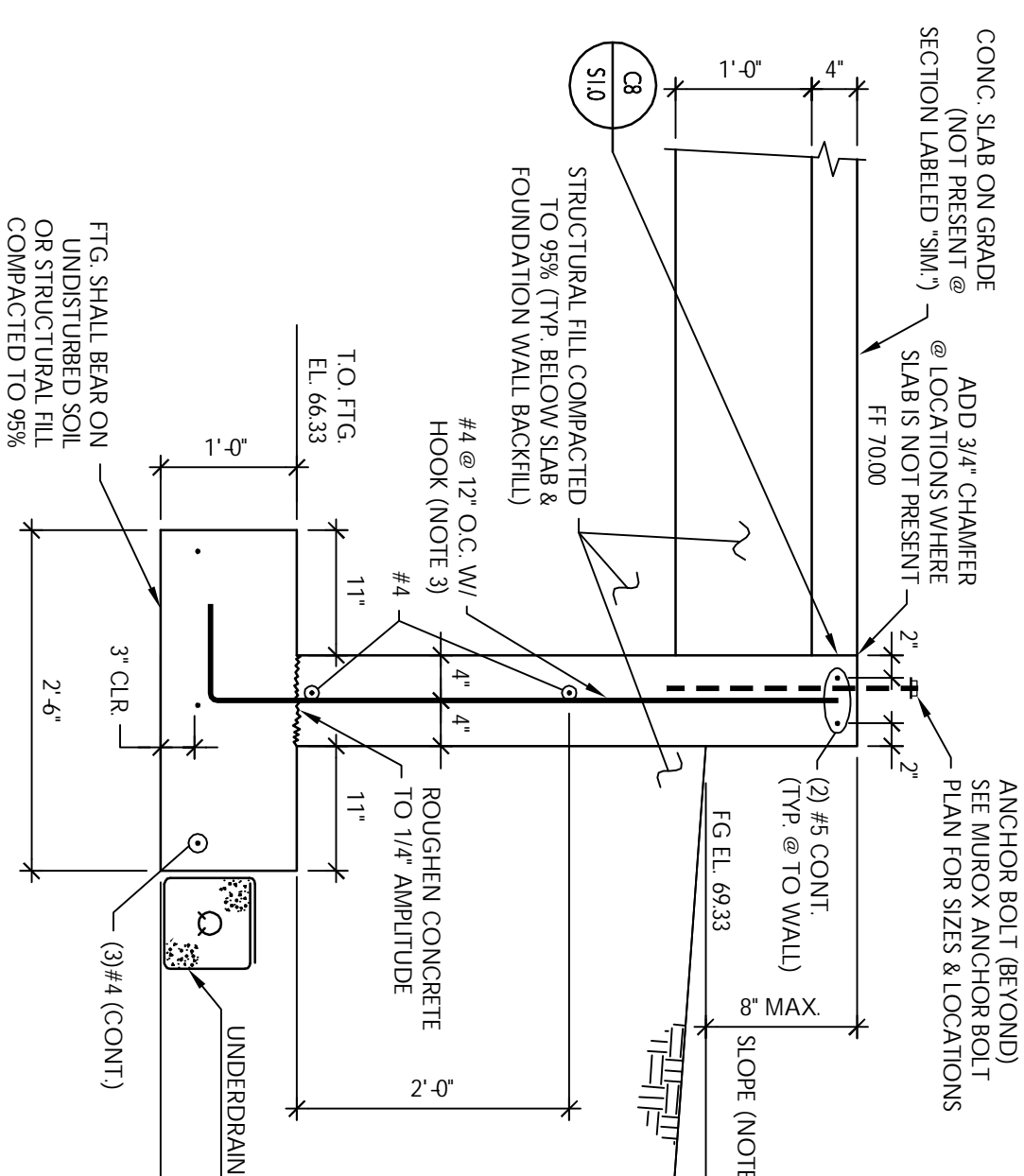
SECTION G  
S30 NTS



SECTION H  
S30 NTS



SECTION I  
S30 NTS



SECTION J  
S30 NTS

FOOTING SCHEDULE				
TYPE	LENGTH	WIDTH	THICKNESS	BOTTOM REINFORCEMENT
A	4'-6"	4'-6"	1'-0"	#5 @ 10" EW
B	5'-0"	5'-0"	1'-0"	#5 @ 10" EW
C	5'-6"	5'-6"	1'-0"	#5 @ 10" EW
D	6'-0"	6'-0"	1'-2"	#5 @ 10" EW
E	7'-0"	7'-0"	1'-2"	#5 @ 10" EW
F	8'-0"	8'-0"	1'-4"	#5 @ 10" EW
G	9'-0"	9'-0"	1'-8"	#5 @ 10" EW
H	10'-0"	10'-0"	1'-8"	#6 @ 10" EW
J	10'-6"	10'-6"	1'-8"	#6 @ 10" EW

SECTION I  
S30 NTS

REBAR LAP SPLICE LENGTH SCHEDULE			
BAR SIZE	3000 PSI CONCRETE	4000 PSI CONCRETE	
#3	1'-4"	1'-4"	
#4	1'-10"	1'-7"	
#5	2'-3"	2'-0"	
#6	2'-8"	2'-4"	
#7	3'-2"	2'-9"	
#8	3'-7"	3'-1"	
#9	4'-0"	3'-6"	
#10	4'-10"	4'-2"	
#11	6'-0"	5'-2"	

SECTION J  
S30 NTS

**CWS Architects**  
**Architects**  
**Space Planning**  
**Value Design**  
 134 Cumberland Avenue  
 Portland, ME 04101  
 Phone: (207) 774-4441  
 Fax: (207) 774-4018  
[www.CWSarch.com](http://www.CWSarch.com)

**PROJEN ENGINEERS**  
 25 Forest Edge Road  
 Portsmouth, NH 03801  
 (603) 430-0339

**Contractor:**  
**DESTEFANO AND ASSOCIATES, INC.**  
 2461 Lafayette Road  
 Portsmouth, NH 03801  
 (603) 430-0339

**FOUNDATION SECTIONS AND TYPICAL DETAILS**  
 Scale: As Noted  
 Date: 10/15/14  
 P/E Project No.: 038-04  
 Revisions:

Drawing Number:  
**S3.0**