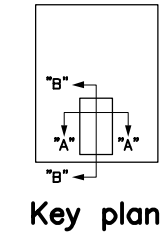
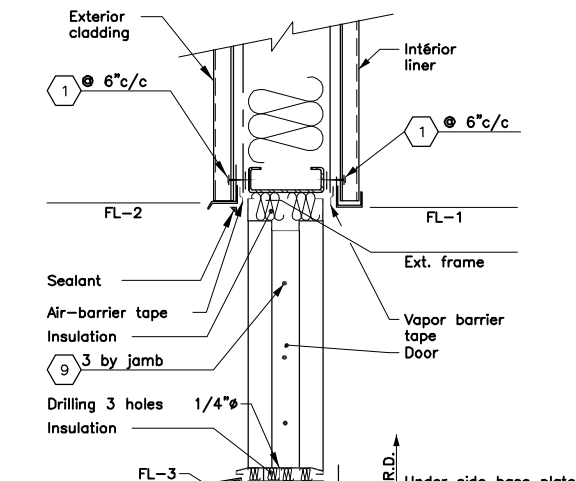


Section "A"

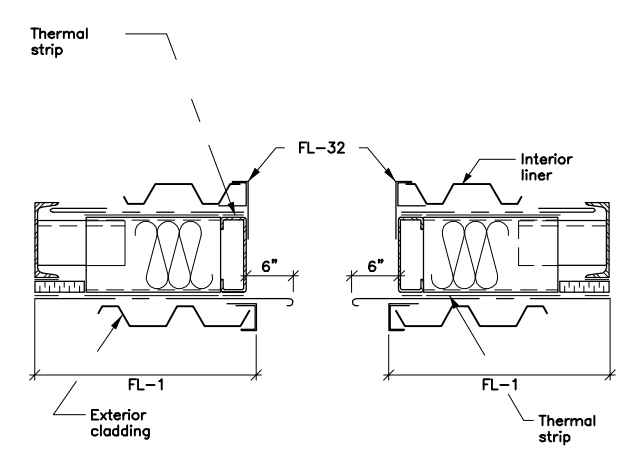
Personal door installed in plant
(cladding-cladding)
Panels #



Key plan

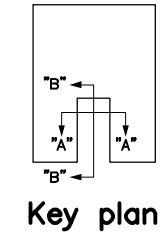


Section "B"

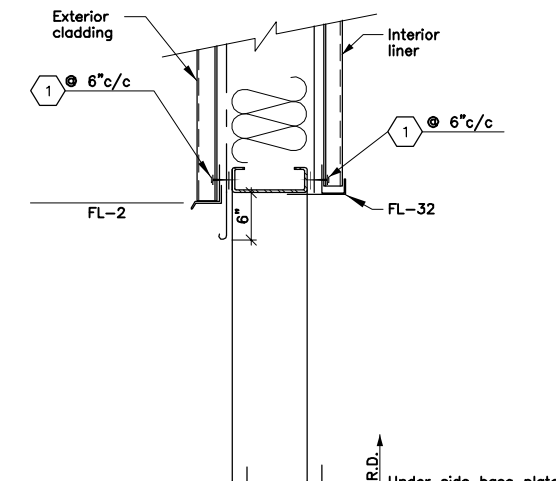


Section "A"

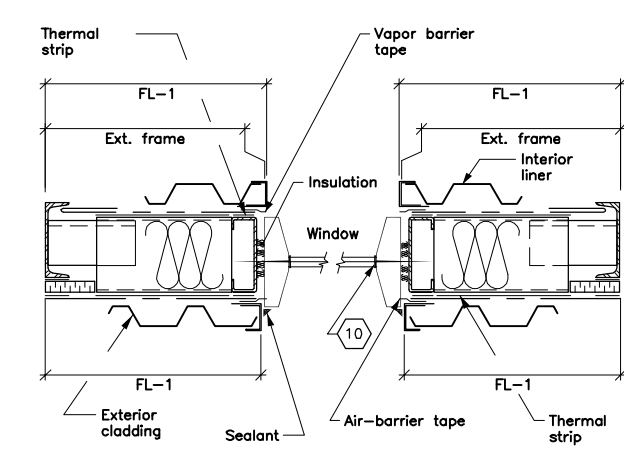
Personal door supplied & installed by other on site
(cladding-cladding)
Panels #



Key plan

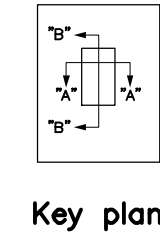


Section "B"

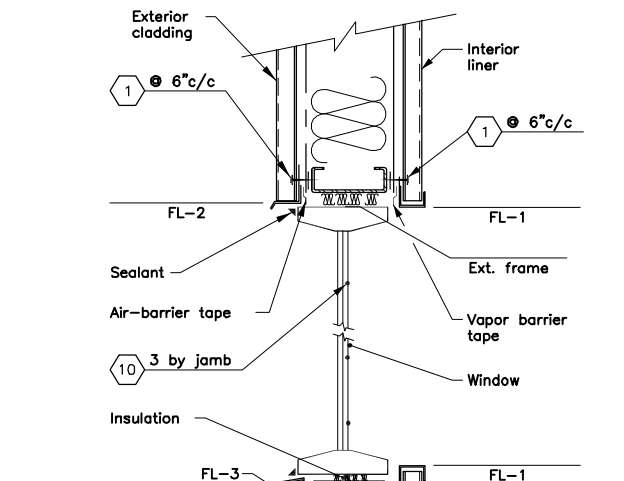


Section "A"

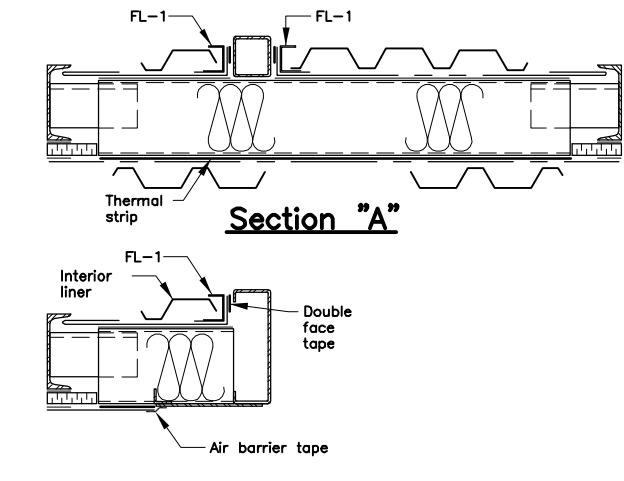
Window installed in plant
(cladding-cladding)
Panels #



Key plan

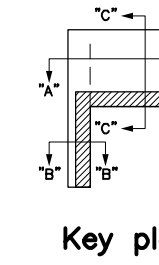


Section "B"

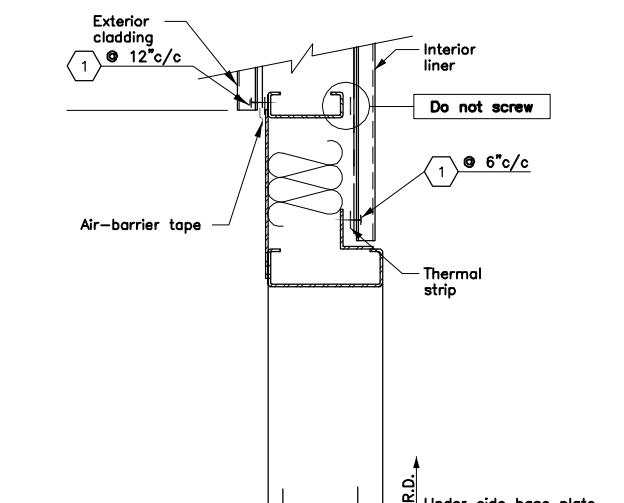


Section "A"

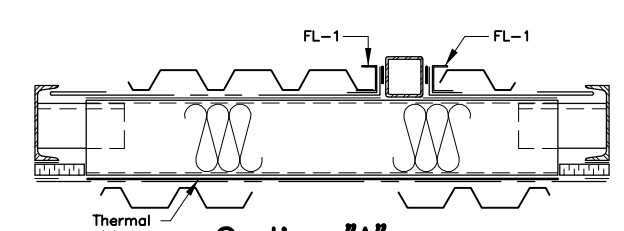
Over head door with door seal (cladding-cladding)
Panels #



Key plan



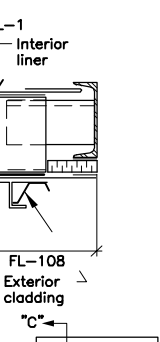
Section "C"



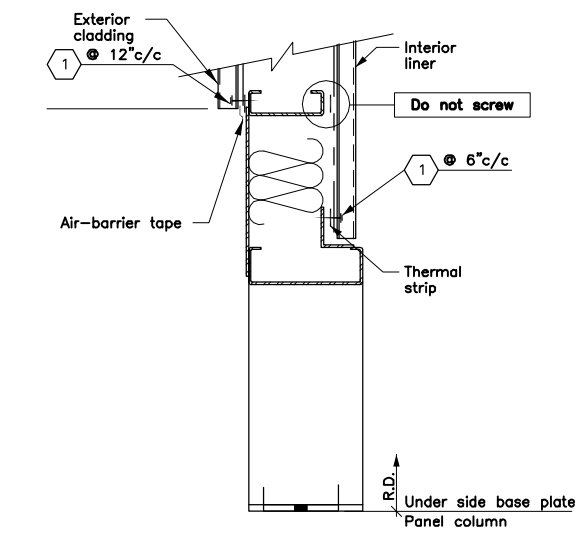
Section "A"

Over head door with door seal (cladding-cladding)
Panels #

Section "B"



Key plan



Section "C"

ACCEPTED

DATE: _____

BY: _____

FOR APPROVAL

FOR APPROVAL

NOT TO BE USED FOR CONSTRUCTION

Notes:

- The present drawings must be returned to Murox's office before in order to meet the delivery schedule.
- Client to make Murox aware if he needs any documents other than wet stamped drawings for his building permit.

| | | | | | | | |
|-----------|--------------|------|------|------|------|------|------------|
| TO: 01-04 | FOR APPROVAL | A | Y.P. | M.B. | MB | DATE | 09-30-2004 |
| DATE | BY | CHKD | DATE | DATE | DATE | DATE | DATE |

MUROX
High Performance Buildings
2000, 1274 Rue, Saint-Georges
Osterville, Canada, C2B 2A8
Tel: (418) 228-8021
Fax: (418) 228-4489

Project: Frozen Ropes
Portland
Maine

| | |
|--------------|------------------------|
| Description: | Shop finishing details |
| Project: | E06098 |
| Sheet: | 4 of 4 |
| Scale: | A |