

DISPLAY THIS CARD ON PRINCIPAL FRONTAGE OF WORK



CITY OF PORTLAND

BUILDING PERMIT

This is to certify that FRANCES C WID WWII VET
CAMPBELL

Located At 230 HOLM AVE

Job ID: 2011-12-2993-SF

CBL: 270- B-010-001

2012-41806 HVAC

has permission to install and HVAC system (Single Family Residence).

provided that the person or persons, firm or corporation accepting this permit shall comply with all of the provisions of the Statues of Maine and of the Ordinances of the City of Portland regulating the construction, maintenance and use of the buildings and structures, and of the application on file in the department.

Notification of inspection and written permission procured before this building or part thereof is lathed or otherwise closed-in. 48 HOUR NOTICE IS REQUIRED.

A final inspection must be completed by owner before this building or part thereof is occupied. If a certificate of occupancy is required, it must be

04/06/2012

Fire Prevention Officer

Code Enforcement Officer / Plan Reviewer

THIS CARD MUST BE POSTED ON THE STREET SIDE OF THE PROPERTY
PENALTY FOR REMOVING THIS CARD

SCANNED

BUILDING PERMIT INSPECTION PROCEDURES

Please call 874-8703 or 874-8693 (ONLY)

or email: buildinginspections@portlandmaine.gov

With the issuance of this permit, the owner, builder or their designee is required to provide adequate notice to the city of Portland Inspections Services for the following inspections. Appointments must be requested 48 to 72 hours in advance of the required inspection. The inspection date will need to be confirmed by this office.

- **Please read the conditions of approval that is attached to this permit!! Contact this office if you have any questions.**
 - **Permits expire in 6 months. If the project is not started or ceases for 6 months.**
 - **If the inspection requirements are not followed as stated below additional fees may be incurred due to the issuance of a "Stop Work Order" and subsequent release to continue.**
1. Close-In (Electrical, Plumbing, Framing)
 2. Final Inspection

The project cannot move to the next phase prior to the required inspection and approval to continue, REGARDLESS OF THE NOTICE OF CIRCUMSTANCES.

IF THE PERMIT REQUIRES A CERTIFICATE OF OCCUPANCY, IT MUST BE PAID FOR AND ISSUED TO THE OWNER OR DESIGNEE BEFORE THE SPACE MAY BE OCCUPIED.



PORTLAND MAINE

Strengthening a Remarkable City, Building a Community for Life • www.portlandmaine.gov

Acting Director of Planning and Urban Development
Gregory Mitchell

Job ID: 2011-12-2993-SF

Located At: 230 HOLM AVE

CBL: 270- B-010-001

Conditions of Approval:

Building

1. The installation must comply with UL, the Manufacturers' Listing, and State of Maine Gas Regulations.
2. Separate permits are required for any electrical: plumbing, sprinkler, fire alarm, HVAC systems, commercial hood exhaust systems and fuel tanks. Separate plans may need to be submitted for approval as a part of this process.
3. Maintain proper setback(s) from property lines/buildings and proper clearances from vertical openings when direct venting
4. A Carbon Monoxide (CO) alarm shall be installed in each area within or giving access to bedrooms. That detection must be powered by the electrical service (plug-in or hardwired) in the building and battery.
5. M1804.2.5 Direct vent terminations. Vent terminals for direct-vent appliances shall be installed in accordance with the manufacturer's installation instructions.

City of Portland, Maine - Building or Use Permit Application

389 Congress Street, 04101 Tel: (207) 874-8703, FAX: (207) 8716

Job No: 2011-12-2993-SF 2012-41806 HVAC	Date Applied: 03/16/2012	CBL: 270- B-010-001	
Location of Construction: 230 HOLM AVE	Owner Name: FRANCES C WID WWII VET CAMPBELL	Owner Address: 230 HOLM AVE PORTLAND, ME 04102	Phone:
Business Name:	Contractor Name: Flinks Plumbing & Heating	Contractor Address: 338 Preble St, So. Portland, ME 04106	Phone: 741-2848
Lessee/Buyer's Name:	Phone:	Permit Type: HVAC	Zone: R-3
Past Use: Single Family Dwelling	Proposed Use: Same: Single Family Dwelling- To install Rinnai BEZ 110 heating unit	Cost of Work: \$5,000.00	CEO District:
		Fire Dept: <input type="checkbox"/> Approved <input type="checkbox"/> Denied <input type="checkbox"/> N/A	Inspection: Use Group: R 3 Type: HVAC <i>Maria Luis Rego</i> Signature:
Proposed Project Description: HVAC		Pedestrian Activities District (P.A.D.)	

Permit Taken By: Brad	Zoning Approval		
<p>1. This permit application does not preclude the Applicant(s) from meeting applicable State and Federal Rules.</p> <p>2. Building Permits do not include plumbing, septic or electrical work.</p> <p>3. Building permits are void if work is not started within six (6) months of the date of issuance. False informatin may invalidate a building permit and stop all work.</p>	<p>Special Zone or Reviews</p> <input type="checkbox"/> Shoreland <input type="checkbox"/> Wetlands <input type="checkbox"/> Flood Zone <input type="checkbox"/> Subdivision <input type="checkbox"/> Site Plan <input type="checkbox"/> Maj <input type="checkbox"/> Min <input type="checkbox"/> MM Date: <i>OV 3/16/12</i>	<p>Zoning Appeal</p> <input type="checkbox"/> Variance <input type="checkbox"/> Miscellaneous <input type="checkbox"/> Conditional Use <input type="checkbox"/> Interpretation <input type="checkbox"/> Approved <input type="checkbox"/> Denied Date:	<p>Historic Preservation</p> <input checked="" type="checkbox"/> Not in Dist or Landmark <input type="checkbox"/> Does not Require Review <input type="checkbox"/> Requires Review <input type="checkbox"/> Approved <input type="checkbox"/> Approved w/Conditions <input type="checkbox"/> Denied Date:
	CERTIFICATION		

I hereby certify that I am the owner of record of the named property, or that the proposed work is authorized by the owner of record and that I have been authorized by the owner to make this application as his authorized agent and I agree to conform to all applicable laws of this jurisdiction. In addition, if a permit for work described in the appication is issued, I certify that the code official's authorized representative shall have the authority to enter all areas covered by such permit at any reasonable hour to enforce the provision of the code(s) applicable to such permit.

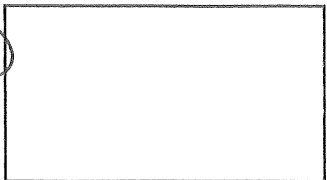
SIGNATURE OF APPLICANT	ADDRESS	DATE	PHONE
RESPONSIBLE PERSON IN CHARGE OF WORK, TITLE		DATE	PHONE



FILL IN AND SIGN WITH INK

Entered 3/16/12 (BS)

APPLICATION FOR PERMIT HEATING OR POWER EQUIPMENT



Under Job ID: 2011 12 2993 SF

2012-41806

To the INSPECTOR OF BUILDINGS, PORTLAND, ME.

The undersigned hereby applies for a permit to install the following heating, cooking or power equipment in accordance with the Laws of Maine, the Building Code of the City of Portland, and the following specifications:

Location / CBL 230 HOWLAND AVE PORT Use of Building Single Family Date 3/16/12
Name and address of owner of appliance _____

Installer's name and address FLANKS P+H
338 PEGGLE ST 50 PORT 04100 Telephone 741-2848

Location of appliance:

- Basement
- Floor
- Attic
- Roof

Type of Fuel:

- Gas LP
- Oil
- Solid

Appliance Name: Rinnai Bc2 110

U.L. Approved Yes No

Will appliance be installed in accordance with the manufacture's installation instructions? Yes No

IF NO Explain: _____

The Type of License of Installer:

- Master Plumber # _____
- Solid Fuel # _____
- Oil # _____
- Gas # PNT 7514
- Other _____

Type of Chimney:

- Masonry Lined
- Factory built _____

- Metal
- Factory Built U.L. Listing # _____

- Direct Vent
- Type _____

Type of Fuel Tank

- Oil
- Gas

Size of Tank (3) #100 16 Tm11C

Number of Tanks THREE

Distance from Tank to Center of Flame 20' feet.

Cost of Work: \$ 4,500

Permit Fee: \$ 70

RECEIVED

MAR 16 2012

Dept. of Building Inspections
City of Portland Maine

Approved

Fire: _____
Ele.: _____
Bldg.: _____

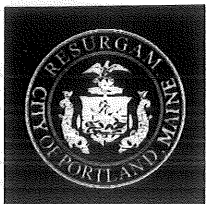
Approved with Conditions

- See attached letter or requirement

Inspector's Signature

Date Approved

Signature of Installer [Signature]



PORTLAND MAINE

Strengthening a Remarkable City, Building a Community for Life • www.portlandmaine.gov

Receipts Details:

Tender Information: Check , Check Number: 9354

Tender Amount: 70.00

Receipt Header:

Cashier Id: bsaucier

Receipt Date: 3/16/2012

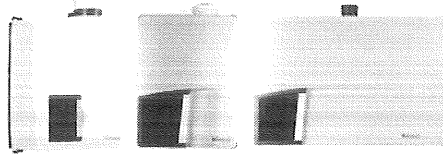
Receipt Number: 41807

Receipt Details:

Reference ID:	5647	Fee Type:	UI-MI
Receipt Number:	0	Payment Date:	
Transaction Amount:	70.00	Charge Amount:	70.00
Job ID: Job ID: 2011-12-2993-SF - 1.5 bath, (1) 3/4 bath 3 Bedroom dormered Cape SFH			
Additional Comments: 230 Holm Ave			

Thank You for your Payment!

Rinnai®

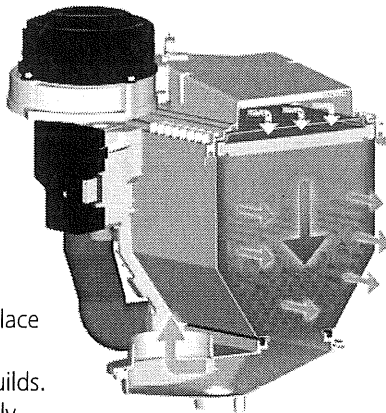


RINNAI CONDENSING TECHNOLOGY FOR HEATING YOUR WHOLE HOUSE – AND YOUR WATER

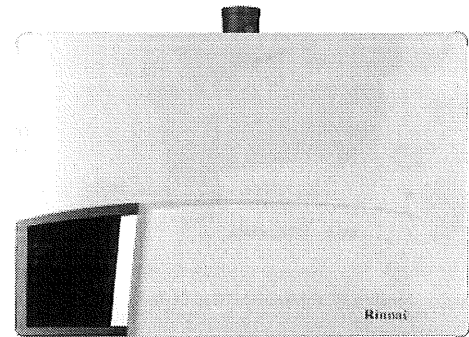
RINNAI CONDENSING WALL-MOUNTED GAS BOILERS FOR WHOLE-HOUSE HEATING AND HOT WATER

Optimum comfort.
Minimum heating costs.

Heat an entire home – even get domestic hot water – with the economical, reliable and compact choice from Rinnai. Now, the premier name in tankless water heating brings you two series of wall-mounted, condensing gas boilers that can be easily retrofitted to replace traditional, less efficient boilers or provide simple, space-saving installation in new builds. All seven models feature Rinnai's exclusively designed stainless steel heat exchanger to deliver unparalleled performance and efficiency.



Q Series 175C



Choose from two lines, designed to fit your application.

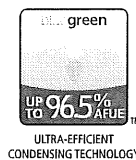
Rinnai offers more efficiency, more energy cost savings and more durability. Choose from the Rinnai E Series, perfect for homes with small domestic hot water needs, or the Q Series, ideal in all homes where there is a larger demand for domestic hot water. Four heating-only models and three combi models offer maximum BTU inputs ranging from 75,000 to 205,000 and operate on either natural gas or propane.

Rinnai E Series

- Two compact combi models for heating and domestic hot water
- Stainless steel heat exchanger
- Integrated stainless steel plate warming for faster domestic hot water delivery
- Integrated pump and expansion tank
- A variety of venting options

Rinnai Q Series

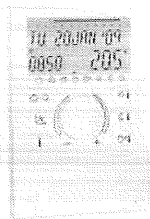
- Fully modulating pump combines with stainless steel heat exchanger to make this one of the more efficient units available
- Combi unit includes 6.6 gallon fully insulated indirect tank with built-in thermostatic mixing valve
- Optional 3-way diverter valve (indirect DHW tank kit) available for "S" System models



Benefits at a glance

- Up to 96.5% AFUE efficiency
- Stainless steel primary boiler heat exchanger
- Integrated domestic hot water plate exchanger
- Compact wall-mounted design saves space over traditional boilers
- Super quiet operation
- Optional internal 3-way valve eliminates the need for a pump for the indirect tank
- Outdoor reset function with sensor included
- Pre-assembled plumbing kits with low-loss header included
- Choose between propane or natural gas units (conversion kits available)
- Variety of venting options available, with direct-vent ready out-of-the-box; dual-pipe adaptor included
- ASME certified units
- ENERGY STAR® qualified models

RINNAI CONDENSING WALL-MOUNTED GAS BOILERS

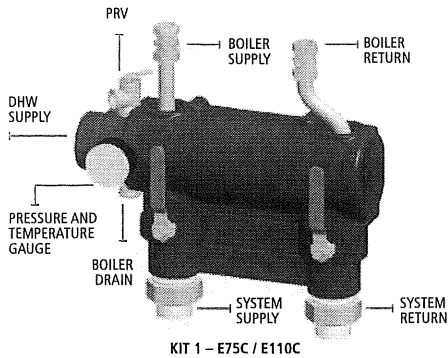


RS100

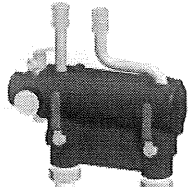
RS100 Controller

- Simple digital controller with backlit display
- Direct communication with boiler
- Adaptive room control
- Error reporting and auto service message
- Automatic summer/winter time change
- Local override of the room temperature
- Flow temperature control
- Features three clock programs and three week profile programs; programmable for holidays

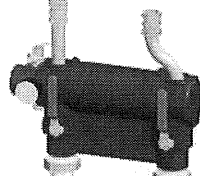
Plumbing Kits



KIT 1 - E75C / E110C



KIT 2 - Q85S / Q130S



KIT 3 - Q175S/Q175C/Q205S

Rinnai Condensing Wall-Mounted Gas Boilers - "C" Combi and "S" System

Model	E75C	E110C	Q85S	Q130S	Q175S	Q175C	Q205S
Dimensions	W 20" (500 mm) H 26" (650 mm)* D 16" (395 mm)	W 20" (500 mm) H 26" (650 mm)* D 16" (395 mm)	W 20" (500 mm) H 27" (680 mm) D 15" (385 mm)	W 20" (500 mm) H 27" (680 mm) D 15" (385 mm)	W 26" (660 mm) H 27" (680 mm) D 15" (385 mm)	W 40" (1000 mm) H 27" (680 mm) D 15" (385 mm)	W 26" (660 mm) H 27" (680 mm) D 15" (385 mm)
Weight	86 lbs (39 kg)	88 lbs (40 kg)	110 lbs (50 kg)	117 lbs (53 kg)	141 lbs (64 kg)	196 lbs (89 kg)	141 lbs (64 kg)
Minimum/Maximum Input BTU (Heating)	17,000-75,000 (NG) 37,000-75,000 (LP)	26,000-110,000 (NG) 59,000-110,000 (LP)	17,000-85,000 (NG) 37,000-85,000 (LP)	26,000-130,000 (NG) 59,000-130,000 (LP)	35,000-175,000 (NG) 74,000-175,000 (LP)	35,000-175,000 (NG) 74,000-175,000 (LP)	41,000-205,000 (NG) 74,000-205,000 (LP)
Minimum/Maximum Input BTU (Direct Hot Water)	17,000-85,000 (NG) 37,000-85,000 (LP)	26,000-130,000 (NG) 59,000-130,000 (LP)	37,000-85,000 (LP)	59,000-130,000 (LP)	74,000-175,000 (LP)	74,000-175,000 (LP)	74,000-205,000 (LP)
Maximum Flow Rate Domestic Hot Water	2.1 GPM (75° F Delta T)	4.6 GPM (50° F Delta T)	Indirect tank compatible	Indirect tank compatible	Indirect tank compatible	6.2 GPM (50° F Delta T)	Indirect tank compatible
AFUE Rating (NG and LP)	96.5%	96.1%	96.1%	96.1%	95.7%	95.7%	95.7%
Optional Digital Controller (s)	RS100	RS100	RS100	RS100	RS100	RS100	RS100

*Includes expansion tank

Rinnai is continually updating and improving products; therefore, specifications are subject to change without prior notice. Local, state, provincial and federal codes must be adhered to prior to and upon installation.

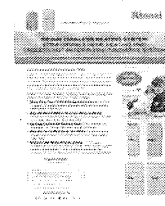
FOR MORE INFORMATION ON RINNAI PRODUCTS

ADDITIONAL RINNAI LITERATURE AVAILABLE

RESIDENTIAL TANKLESS WATER HEATERS



HYDRONIC FURNACES



DIRECT VENT WALL FURNACES



Rinnai America Corporation

103 International Drive
Peachtree City, GA 30269

Toll Free 1-800-621-9419

Phone: 678-829-1700 • Fax: 678-364-8643

Visit our Website: www.rinnai.us

E-mail: marketing@rinnai.us

Rinnai

