

- PRELIMINARY - NOT FOR CONSTRUCTION
 APPROVED FOR CONSTRUCTION
 SUPERSEDES ALL PREVIOUS ISSUES
 BY RAN DATE 3-22-06

REFERENCE DRAWINGS

DWG. NO.	TITLE	BY
E-1	ELECTRICAL PLAN & SPECS	NGI

Released For Construction
Date: Mar 22, 2006

0 OWNER CONSTRUCTION ISSUED FOR

THIS DRAWING IS THE PROPERTY OF NEIL AND GUNTER INCORPORATED AND IS TO BE USED ONLY FOR THE SPECIFIC PROJECT IDENTIFIED ON THE DRAWING. NO REVISIONS SHALL BE MADE WITHOUT THE EXPRESSED WRITTEN CONSENT OF NEIL AND GUNTER INCORPORATED.

NO.	DATE	BY	REVISIONS	OK'D.

DESIGNED	DRWN	D.L.
AMH		
CHECKED	DATE	
DESIGN	03-22-06	
SCALE		
RAN	AS NOTED	
APPROVED		
PROJ. ENG.		
AMH		

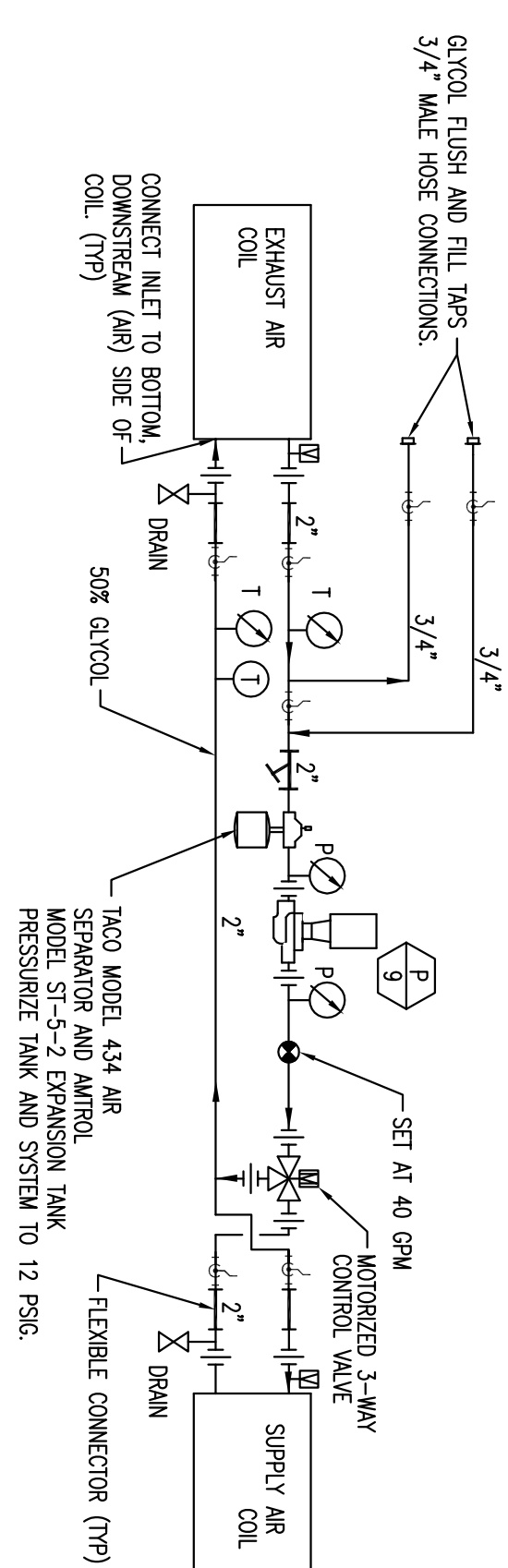
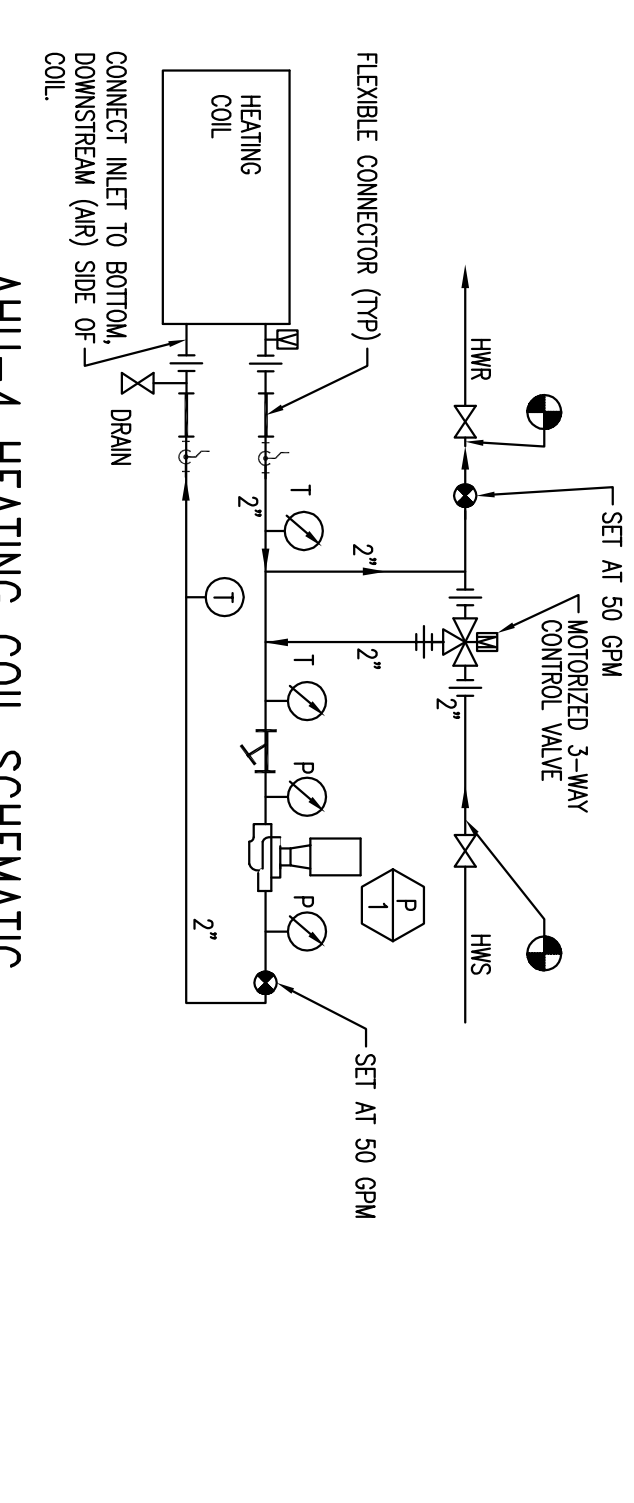
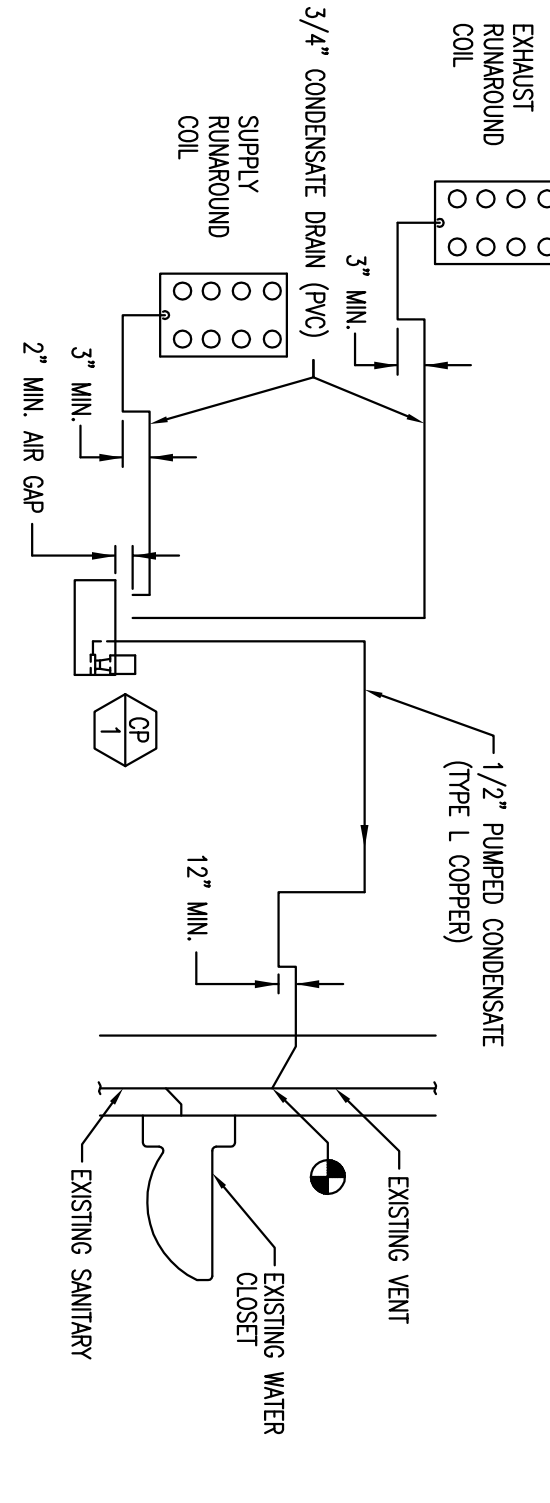
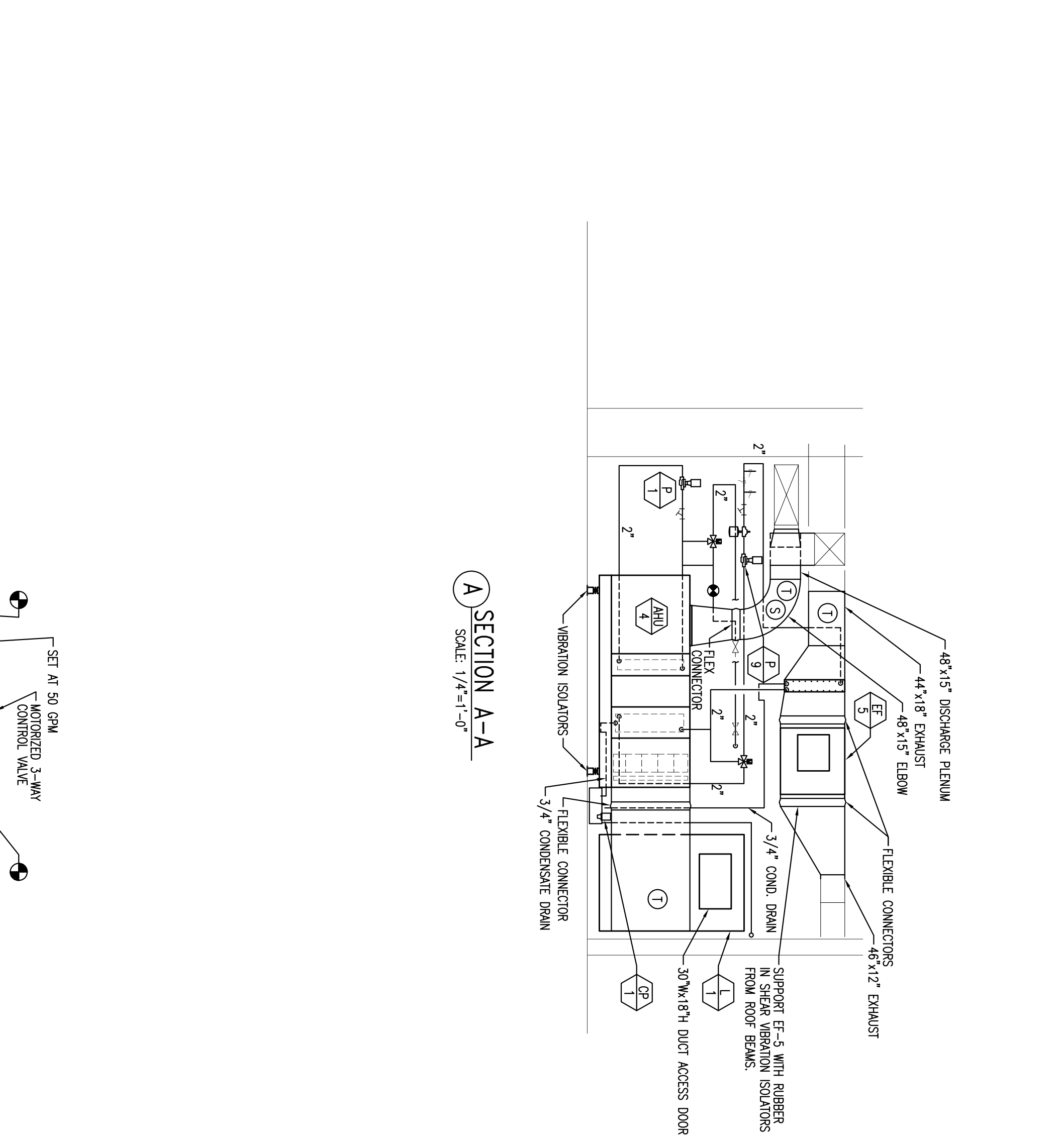
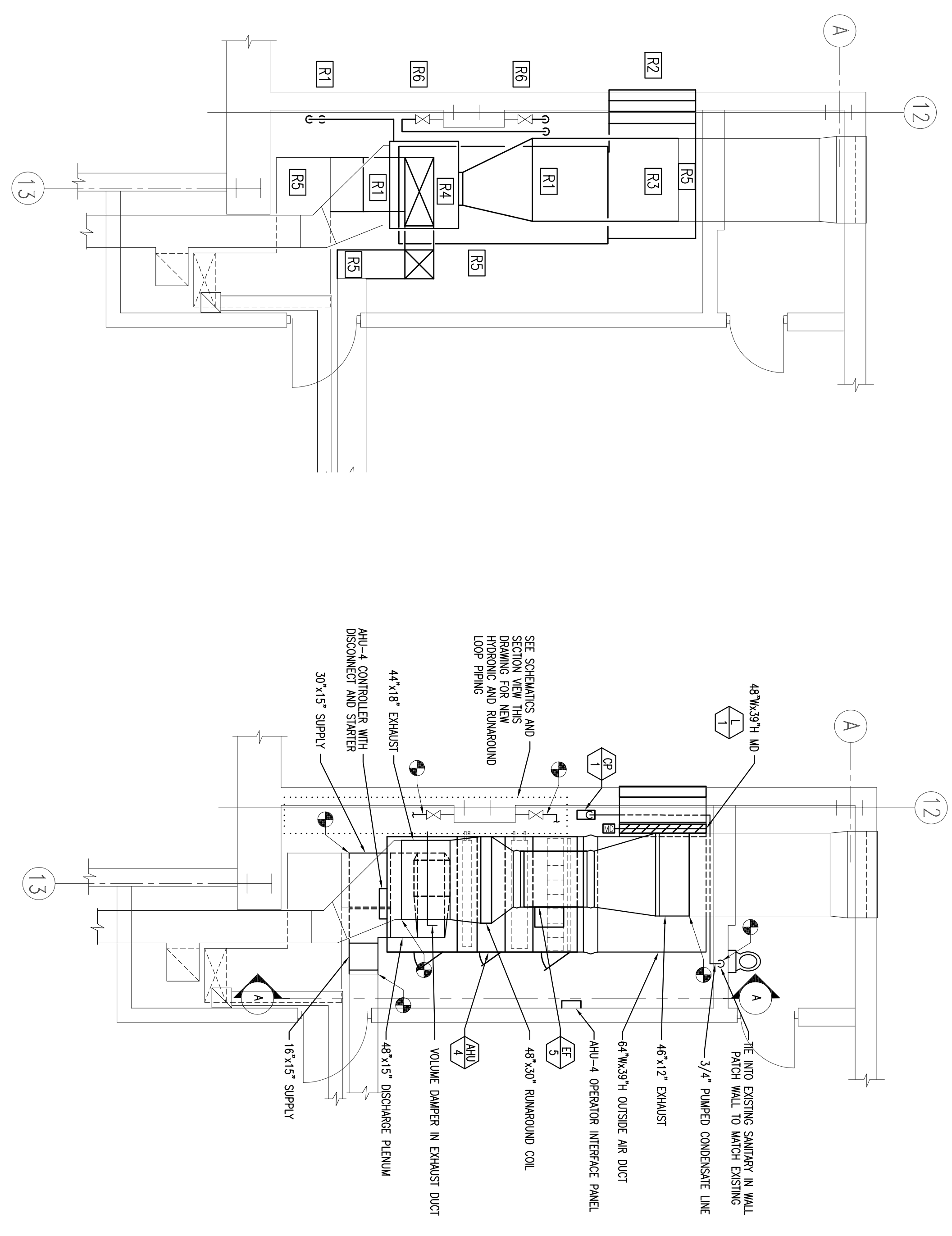
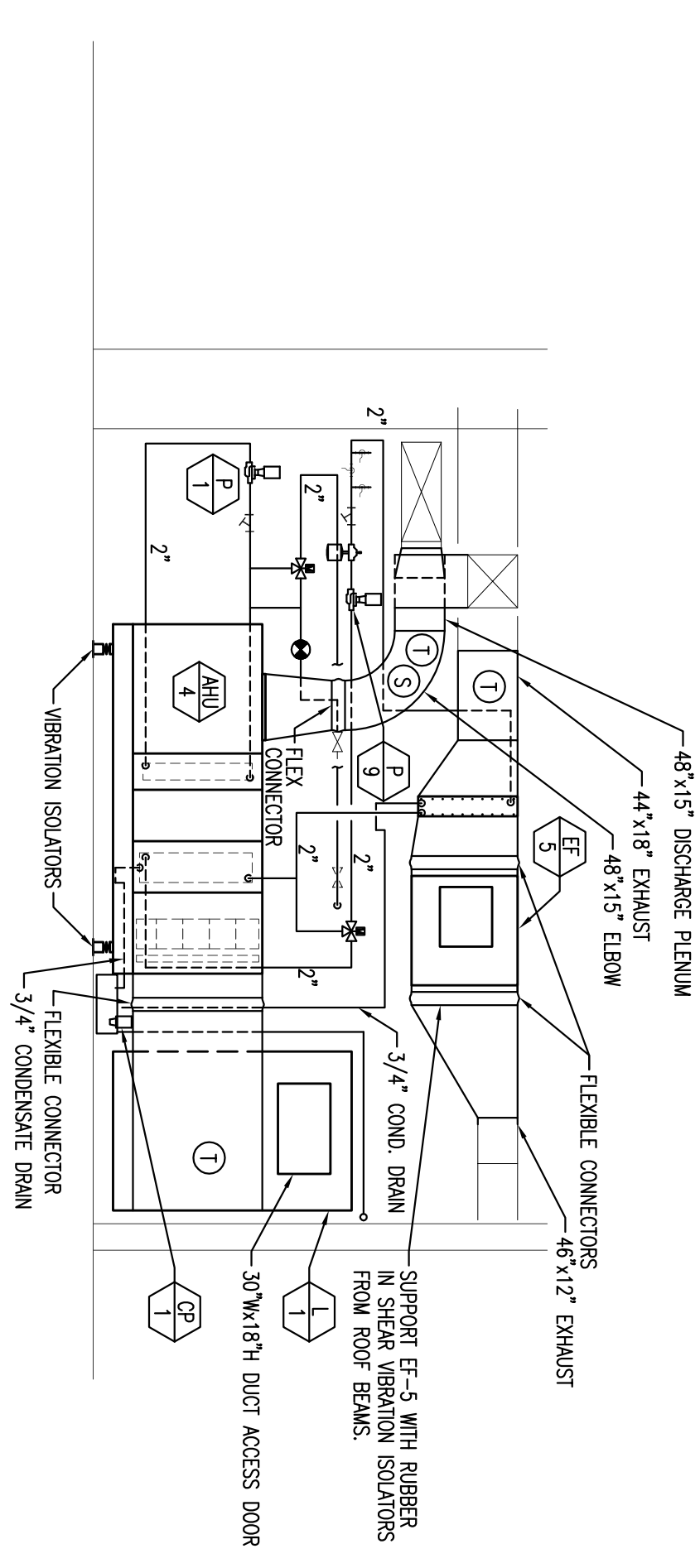
Neil and Gunter

BARRON CENTER
PORTLAND, MAINE 04092

SEBAGO TECHNICS, INC.

MECHANICAL
3RD FLOOR MECHANICAL ROOM
AHU-4 REPLACEMENT

JOB NO. 25894 DWG. NO. M-1



CAD 25894H001